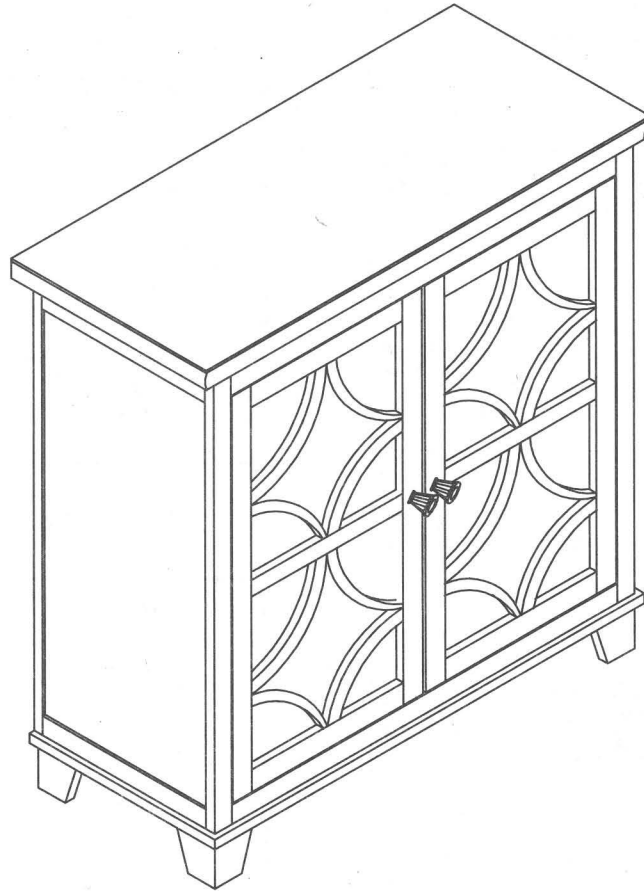


Assembly Instruction



Note:

1) Please be advised to have at least 2 persons to assemble this unit

2) Tools not included, but essential for assembling this unit:

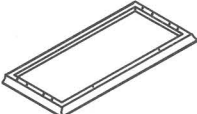
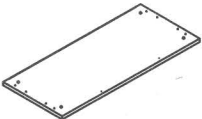

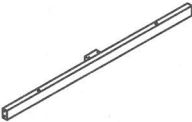
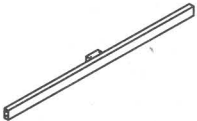

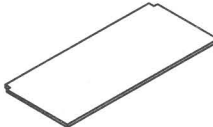
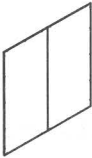

"Phillips" Screwdriver



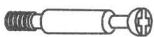







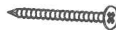




3) Place a large cloth or blanket on the floor or flat surface to protect parts from scratching

4) Before assembling this unit, please check that all parts and hardware are present

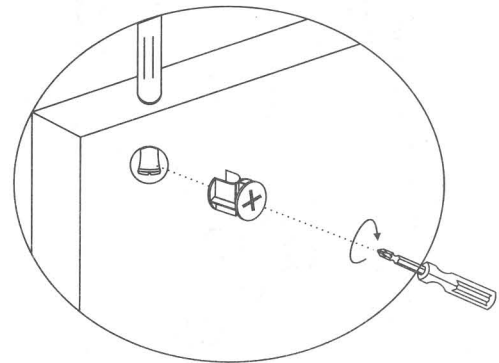
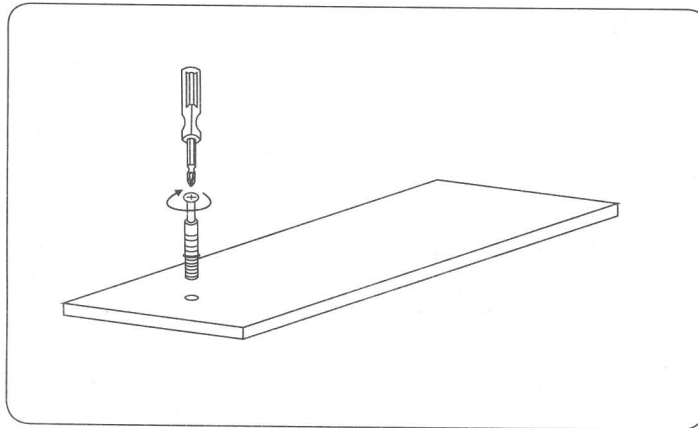
PART LIST

1	Top panel		x1
2	Bottom Panel		x1
3	Side Panel		x2
4	Up Front Rail		x1
5	Bottom Front Rail		x1
6	Door Panel		x2
7	Shelf		x1
8	Back Panel		x1
9	Leg		x4

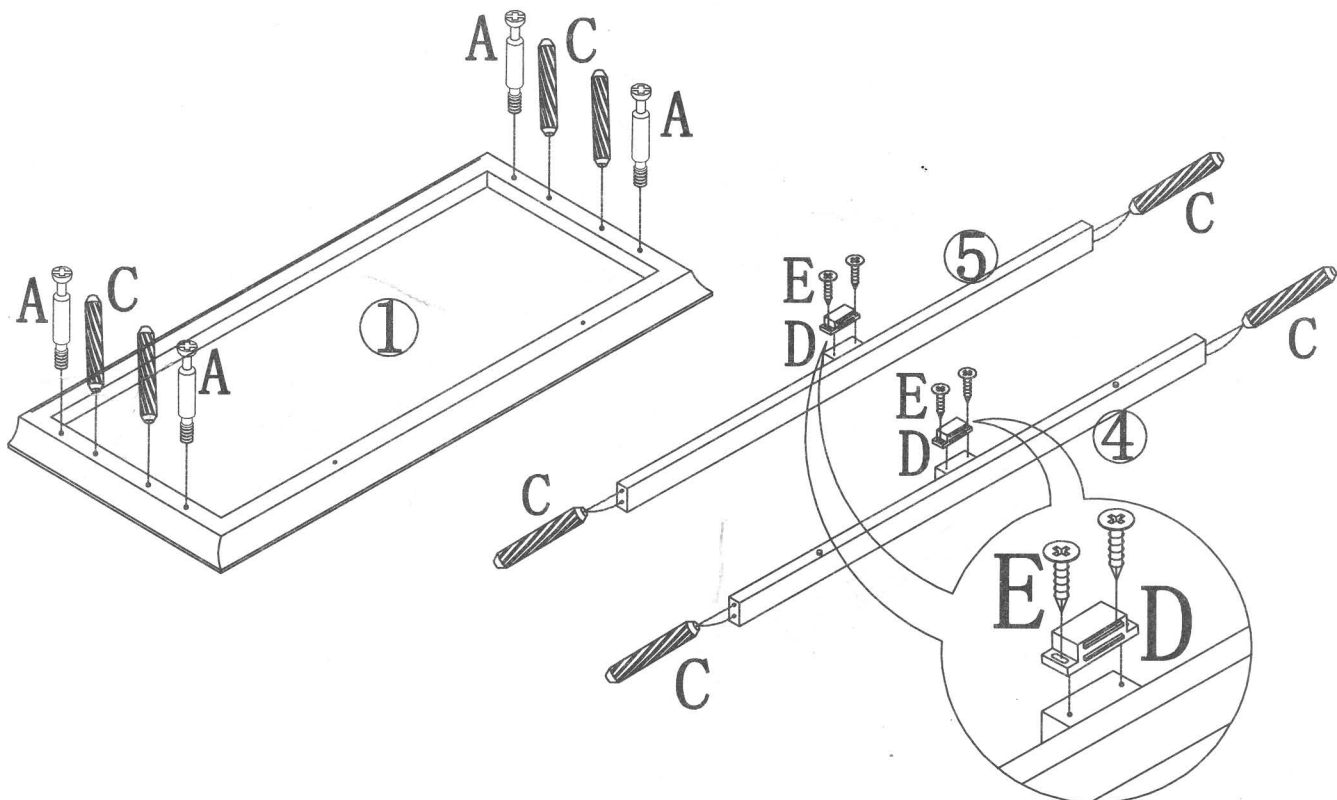
HARDWARE LIST

A	Camlock Bolts		x8
B	Camlock		x8
C	Wood Dowels		x24
D	Magnetic catch		x2
E	Screw		x24
F	Hinges		x4
G	Screw		x20
H	Leg Screw		x4
I	Screw		x4
J	Metal Bar		x4
K	Handle		x2
L	Handle Bolt		x2
M	Metal Pin		x4

Assembly of camlock (A&B)



Screw camlock bolt to wood part
 Do not tighten camlock unless is instructed
 To assemble camlock,ensure long side of the+ is facing the bolt before inserting into hole

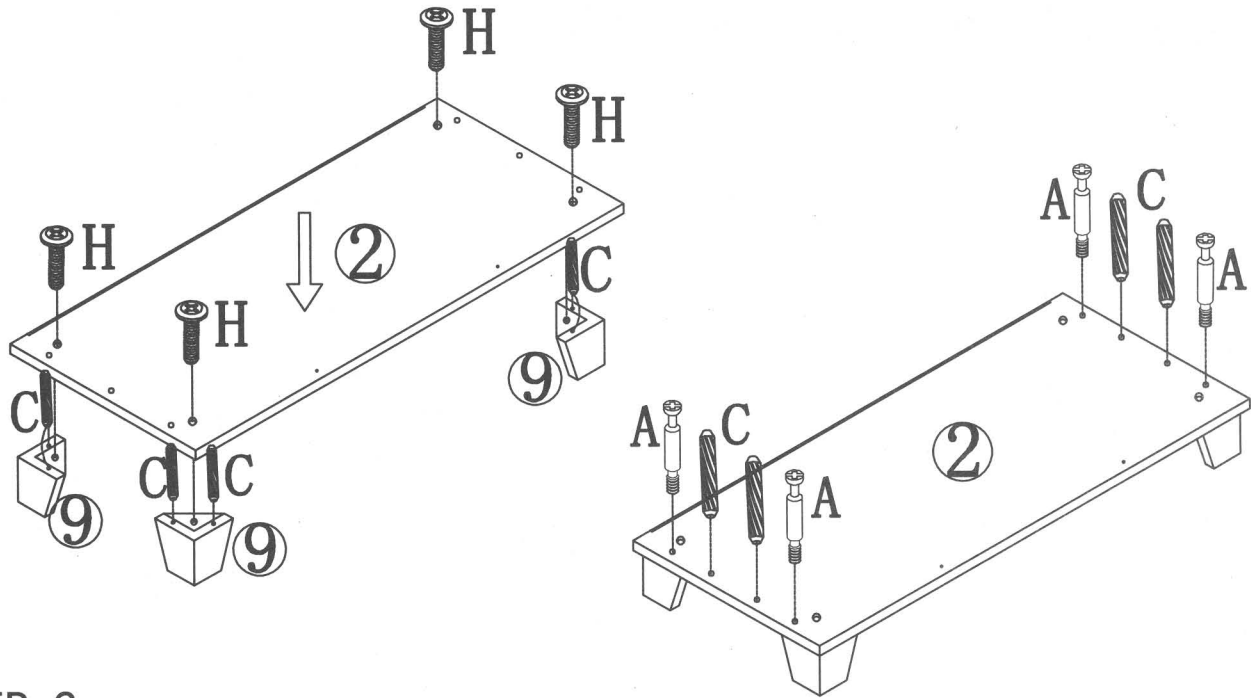


STEP 1

Assemble Camlock bolt (A) to Top Panel (1) as shown.

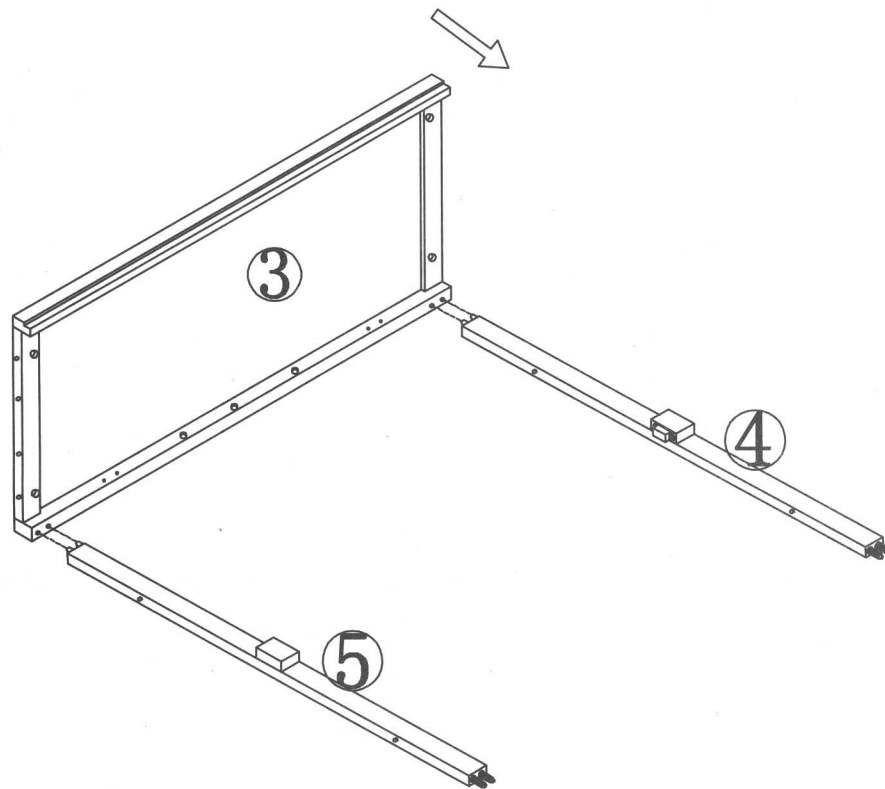
Install Wood Dowel (C) to Top panel (1),Up Front Rail (4) & Bottom Panel (5) as shown.

Assemble Magnetic Catch (D) to Up&Bottom Front Rail (4),(5) by using Screw (E) as shown.



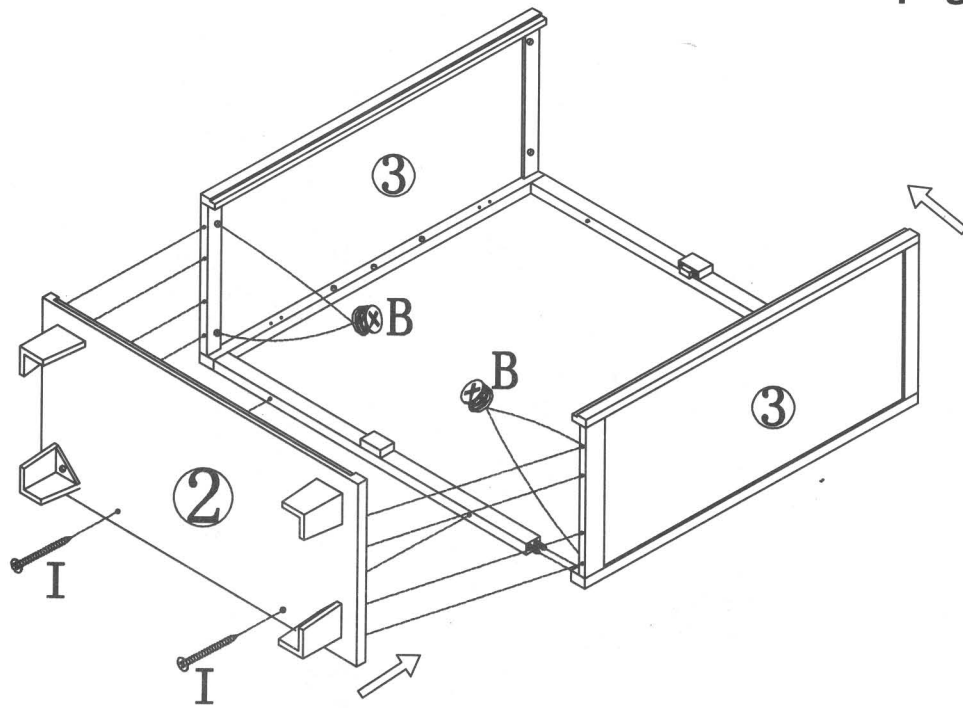
STEP 2

Put the Wood Dowel (C) into the Bottom Panel (2) and Leg (9).
 Screw the Camlock Bolt (A) on the Bottom Panel (2).
 Assemble Bottom Panel (2) to Leg (9) by using Screw (H) as shown.



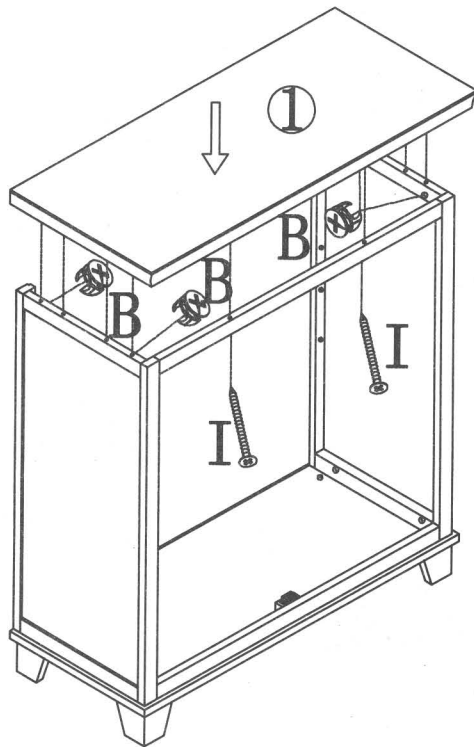
STEP 3

Insert Up Front Rail(4) and Bottom Front Rail(5) to Side Panel(3) as shown.



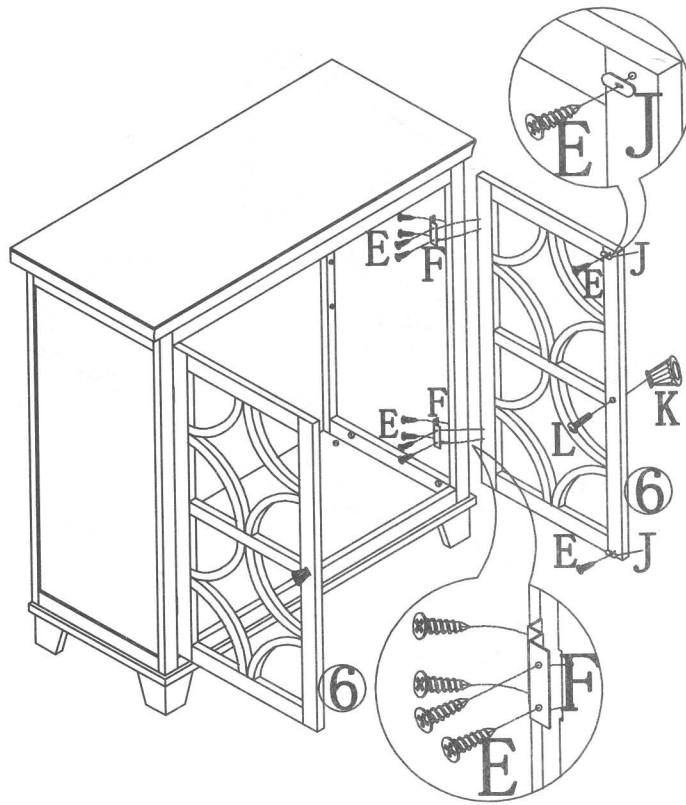
STEP 4

Assemble another Side Panel (3) to Bottom Panel (2), then attach to assembled unit by using Camlock(B) and Screw (I) as shown.



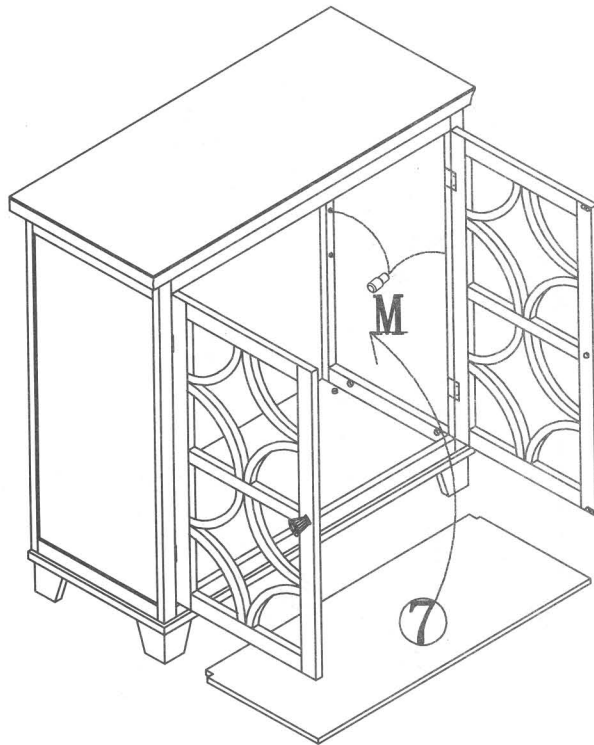
STEP 5

Attach the Top panel (1) to Assembled unit and tighten it by using Camlock (B) and Screw (I) as shown.



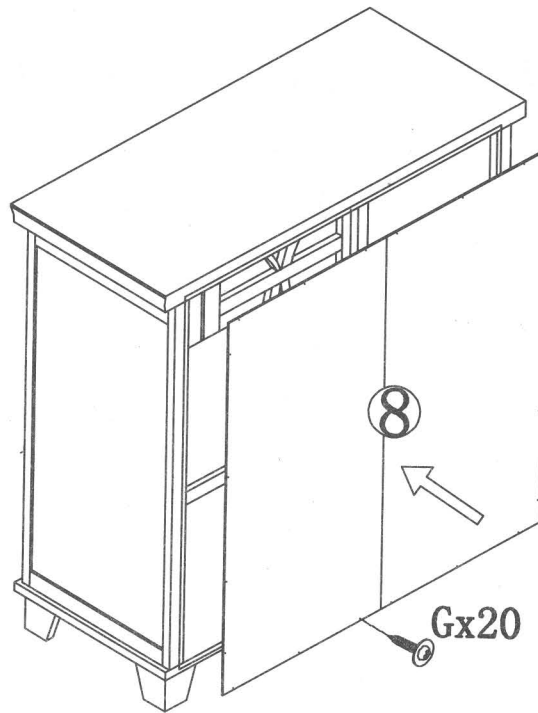
STEP 6

Assemble Handle (K) & Metal Bar (J) to Door Panel by using Screw (L) & Screw (E) as shown.
Assemble Door Panel (6) to assembled unit by using Hinge (F) & Screw (E) as shown.



STEP 7

Install the Metal Pin (M).
Then put the Shelf (7) into assembled unit as shown.



STEP 8

Assemble the Back Panel (8) to assembled unit by using Screw (G) as shown.

