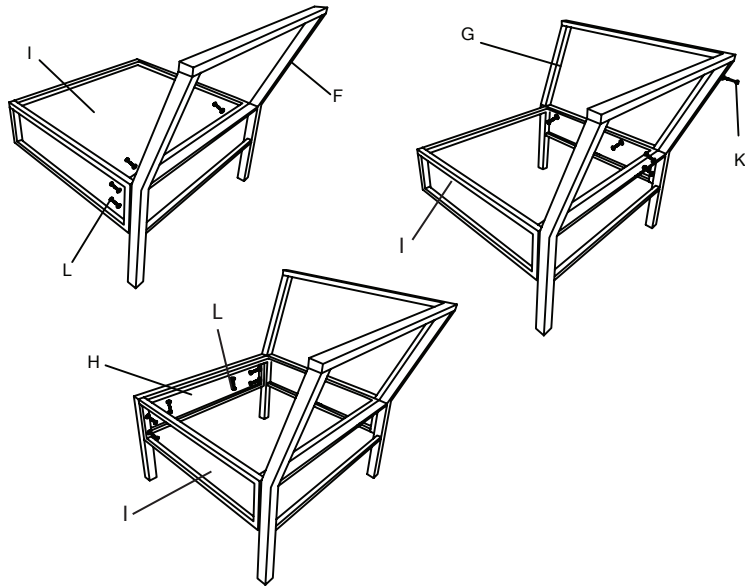
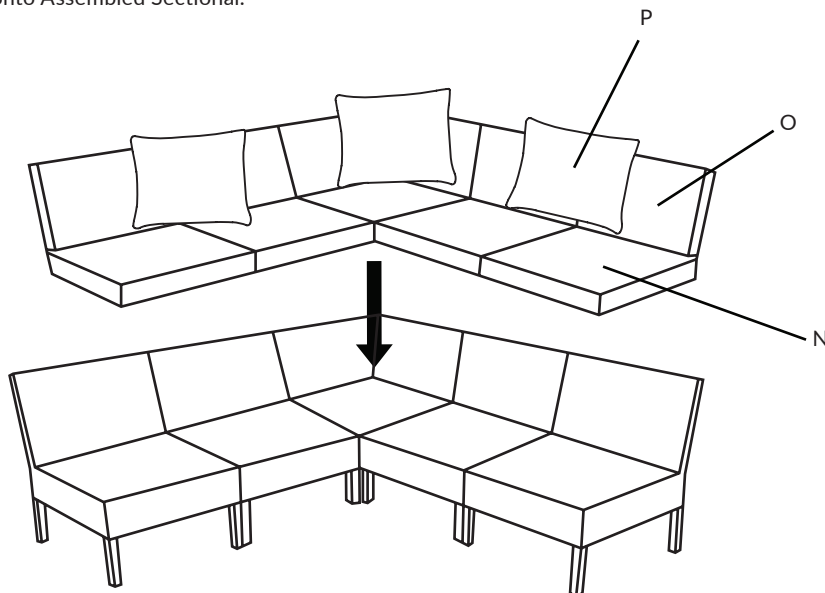


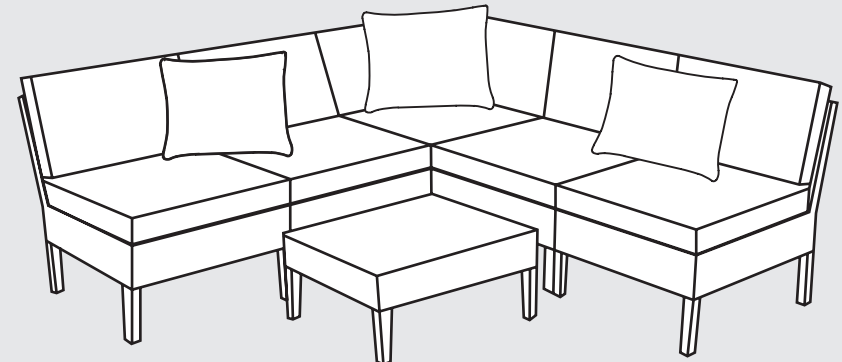
- 3** Attach Corner Seat Deck (I) to Corner Backrest 1 (F) and Corner Backrest 2 (G) using Bolt/Washer (L) and Bolt/Washer (K). Tighten using provided Allen Key (M). Then attach Corner Leg (H) to Corner Seat Deck (I) using Bolt/Washer (L). Tighten using provided Allen Key (M).



- 4** Place Seat Cushions (N), Backrest Cushions (O) and Pillows (P) onto Assembled Sectional.



6 PC LOUNGE SET



ADULT ASSEMBLY REQUIRED

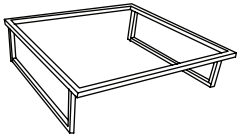
If you are missing any parts or have any questions regarding assembly, do not return this item to the retailers store. Please call our toll-free, customer service number and have this assembly manual open to the parts list ready to provide the model name, number and part name or number.



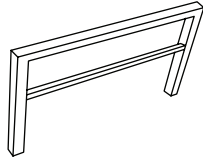
WARNING: This product may contain small components, please ensure they are kept away from small children.

PARTS AND HARDWARE

Avoid using sharp objects such as a knife to cut open packing as you may accidentally damage the upholstery.



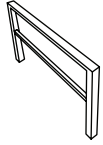
A. Table Top
1x



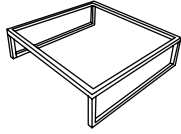
B. Table Leg
2x



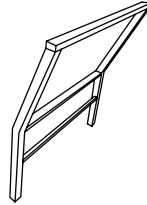
C. Sofa Backrest
4x



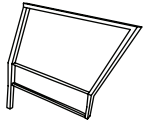
D. Sofa Leg
4x



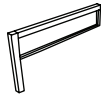
E. Sofa Seat Deck
4x



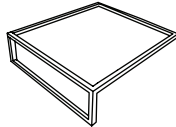
F. Corner Backrest 1
1x



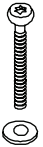
G. Corner Backrest 2
1x



H. Corner Leg
1x



I. Corner Seat Deck
1x



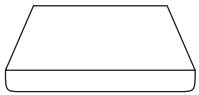
K. Bolt/Washer M6x50
1x



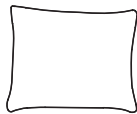
L. Bolt/Washer M6x40
70x



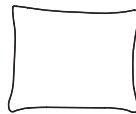
M. Allen Key
1x



N. Seat Cushion
5x



O. Backrest Cushion
6x

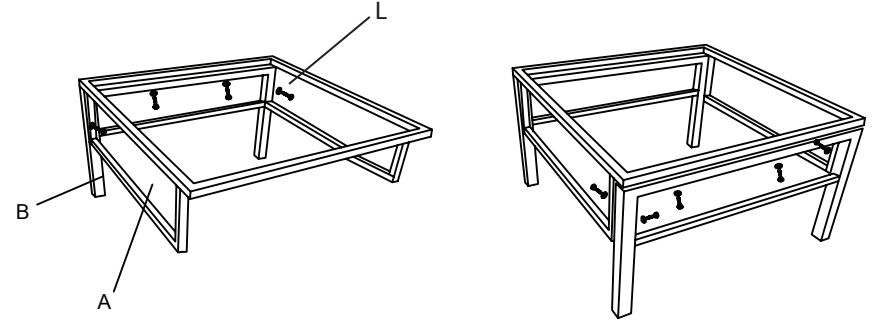


P. Pillows
3x

ASSEMBLY INSTRUCTIONS

Do not fully tighten bolts until assembly is complete.

- 1 Attach Table Leg (B) to Table Top (A) using Bolt/Washer (L). Tighten using provided Allen Key (M).



- 2 Attach the Sofa Leg (D) to the Sofa Seat Deck (E) using Bolt/Washer (L). Tighten using provided Allen Key (M). Then attach Sofa Backrest (C) to Sofa Seat Deck (E) using Bolt/Washer (L). Tighten using provided Allen Key (M).

