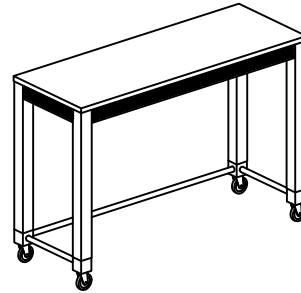


# ASSEMBLY INSTRUCTIONS



#070-589

## TOOLS REQUIRED:

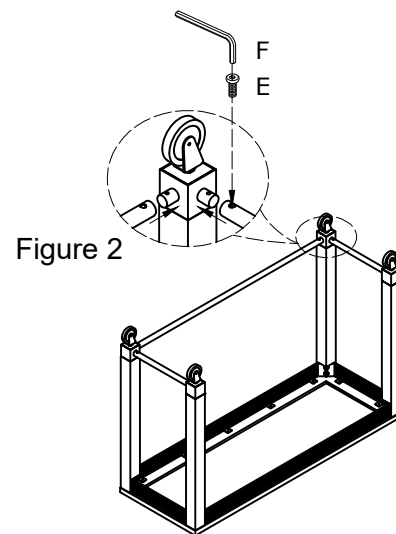
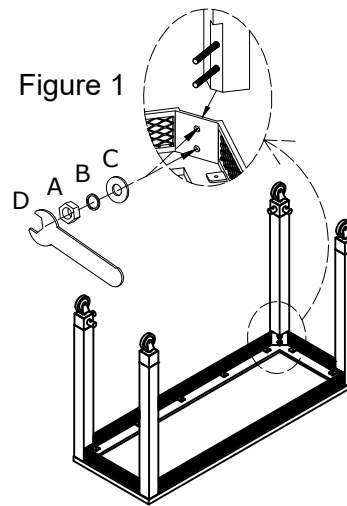
Allen Wrench (Provided, Part F)  
Wrench (Provided, Part D)

## BEFORE YOU START:

1. Check the hardware against the hardware list to make sure all items are present.
2. Assemble your furniture on a soft, flat surface to avoid scratching the finish.
3. **CAUTION:** Do not over tighten screws, nuts or bolts during assembly.
4. Your furniture may require occasional tightening.

## INSTRUCTIONS:

1. Turn the table top on to a clean soft surface.
2. Attach legs to the top frame by using Nut (A), Lock Washer (B) and Flat Washer (C) and tighten with the Wrench (D). As shown in Figure 1. (Do not tighten Nut).
3. Attach back metal stretcher and side metal stretchers to legs by using Bolt (E), and tighten with the Allen Wrench (F) as shown in Figure 2.
4. Tighten all nuts and bolts before setting table back upright.



HARDWARE LIST			
A		(Ø5/16"x M12)	8pcs
B		Lock Washer (Ø5/16")	8pcs
C		Flat Washer (Ø5/16"*Ø19)	8pcs
D		Wrench (M12)	1pc
E		Bolt (Ø1/4"x 5/8")	6pcs
F		Allen Wrench (4MM)	1pc