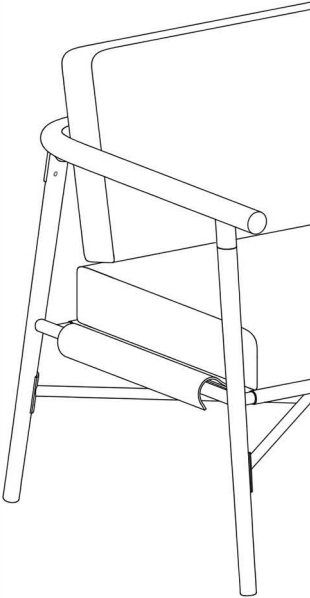


Owner Manual



WARRANTY

We strive to offer high quality product and we also try our best to satisfy each customer that order from us, no matter on products or services as needed. Each customer receives a record of their order, such as the order number or item receipt. For any items that are out of warranty period, you may still be able to purchase the replacement parts from our company if they are available.



MAINTENANCE AND WARNING

Please read the manual thoroughly
before you start installing.

Please keep the product away from
sharp object.

Packaging and small parts may have
chocking hazard, please keep them away
from children and pets.

Please clean the product according to each
clean code, check the product description
for more information.

Please keep the product away from
fire.

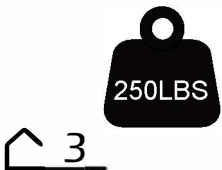
If you have any other questions, please
contact us, we will be glad to help you out.

If the product is placed under direct
sunlight, the pattern or color might fade
away overtime.

Check the product periodically to make
sure everything is secured and tightened.


Always use proper tools for installation.

Do not jump on the product.



Around 45 min

PRODUCT DESCRIPTION



Choose between luxurious water resistant leather or breathable cotton fabric for a comfortable and durable option.

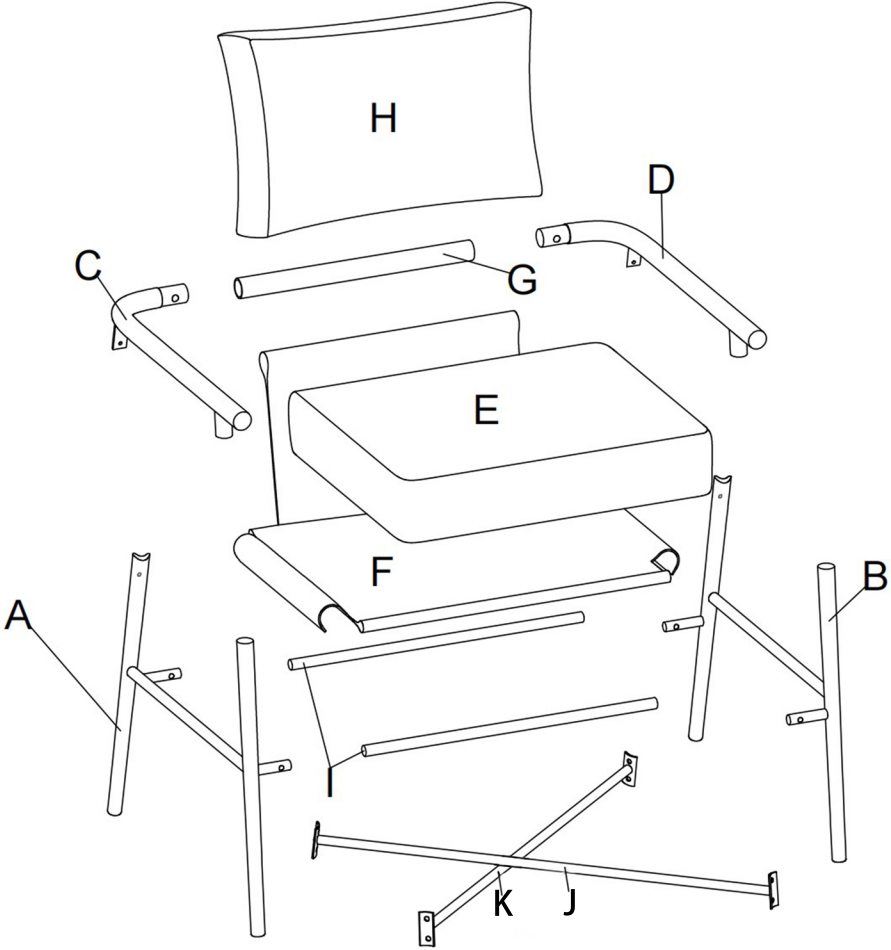
High density foam padding offers the perfect balance of softness and support for everyday comfort.

A strong, cross braced metal frame ensures stability and durability, built to last, with weight capacity of 250 lbs.

Equipped with adjustable foot pads to provide stability on different floor types, preventing wobbling.

Fresh, vibrant colors and a minimalist design make this chair a stylish addition to any space, easy to assemble and versatile.

EXPLODED VIEW



PARTS

A*1



Right leg

B*1



Left leg

C*1



Right arm

D*1



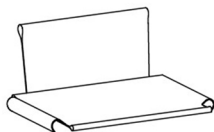
Left arm

E*1



Seat cushion

F*1



Cloth cover

G*1



Cross rail

H*1



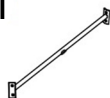
Back cushion

I*2



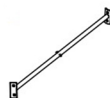
Fine rail

J*1



Support rail

K*1



Support rail

HARDWARE

TOOL LIST

NOTE: Designated with (★) We provide additional spare parts in the hardware package

①*18



★ M6*15mm
Bolt

②*19



★ Flat washer

③*1



Allen key

④*1

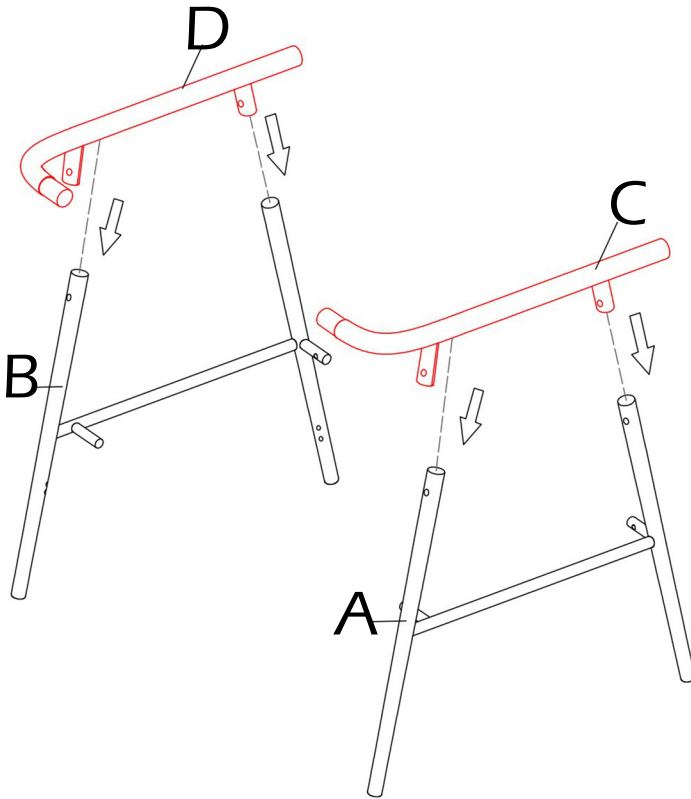


★ M6*30mm
Bolt

Please make sure all hardware & packing material fitting the list. Especially some small accessories may be missing during transportation. Please contact us if you have any question.

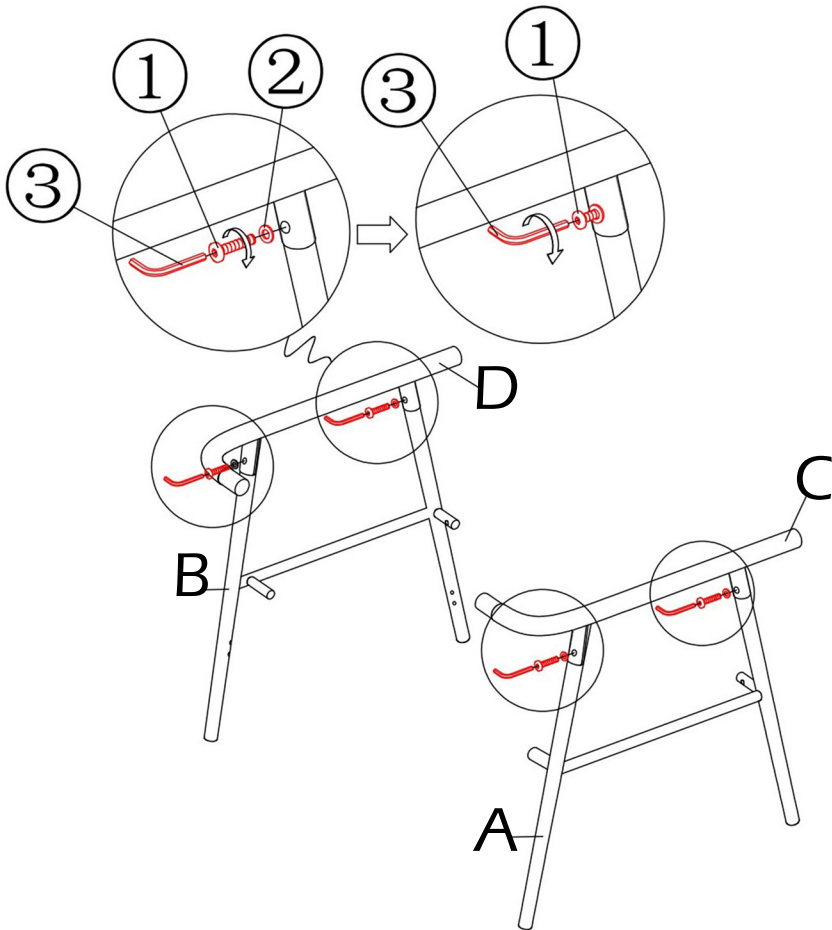
step 1

Insert right arm and left arm (D & C) into the right leg and left leg (A & B) as shown. Make sure they are aligned and installed correctly.



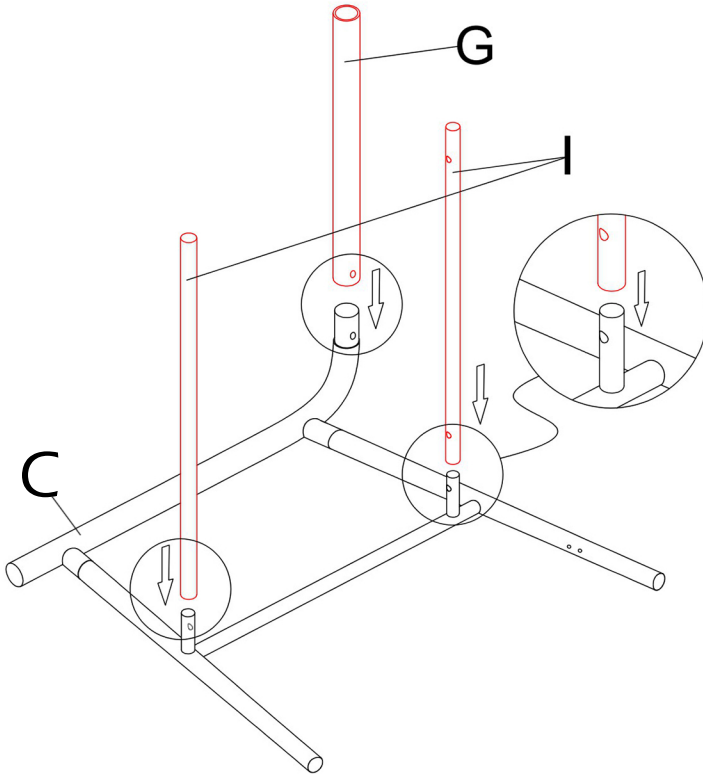
step 2

First, add one washer (2) on each screw (1) as shown, then align the screw holes on both armrest and chair foot, then use the allen wrench (3) provided to tighten all screws by 30% -50% at first, ensuring that all screws are aligned correctly before tightening all screws.



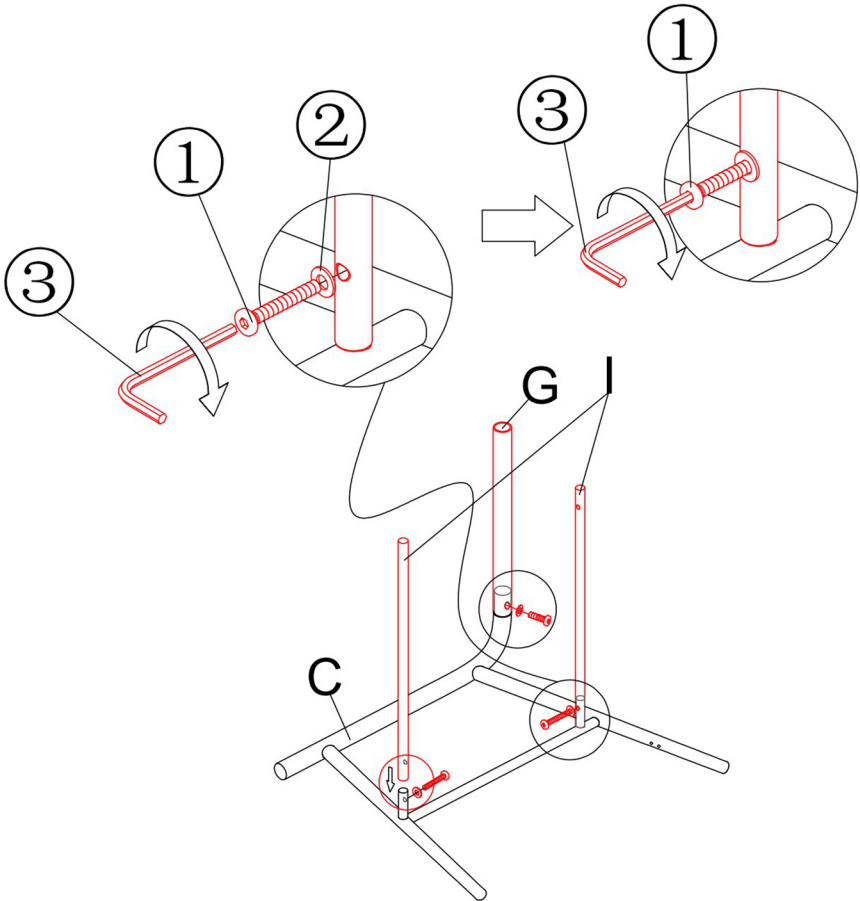
step 3

As shown in the figure, first lay the chair frame flat on the ground, and then connect the three fine rails (I) and one cross rail (G) to the left arm rest part (C).



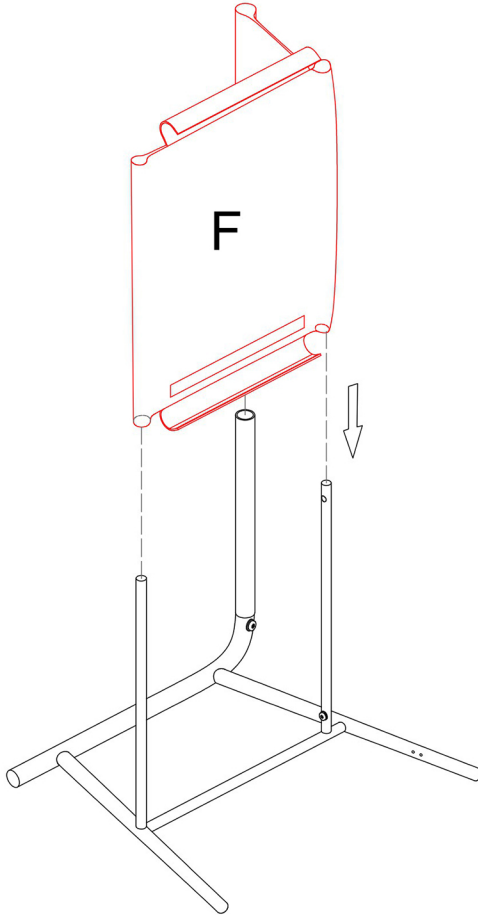
step 4

First, add one washer (2) on each screw (1) as shown, then align the screw holes on both rails and armrest part, then use the allen wrench (3) provided to tighten all screws by 30% -50% at first, ensuring that all screws are aligned correctly before tightening all screws.



step 5

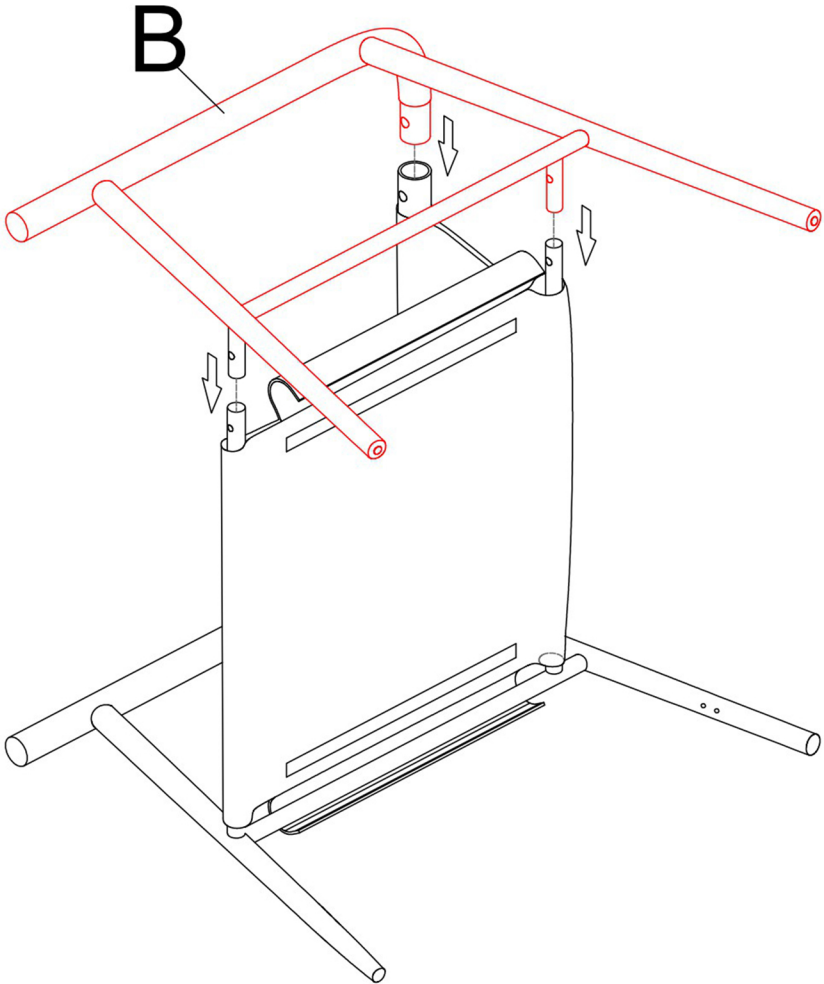
Align the rails with the holes on the cloth cover (F) as shown, then insert all rails in to the corresponding holes, make sure they are aligned correctly.



NOTE: Please notice, the face with Velcro tape is the bottom of the cloth cover.

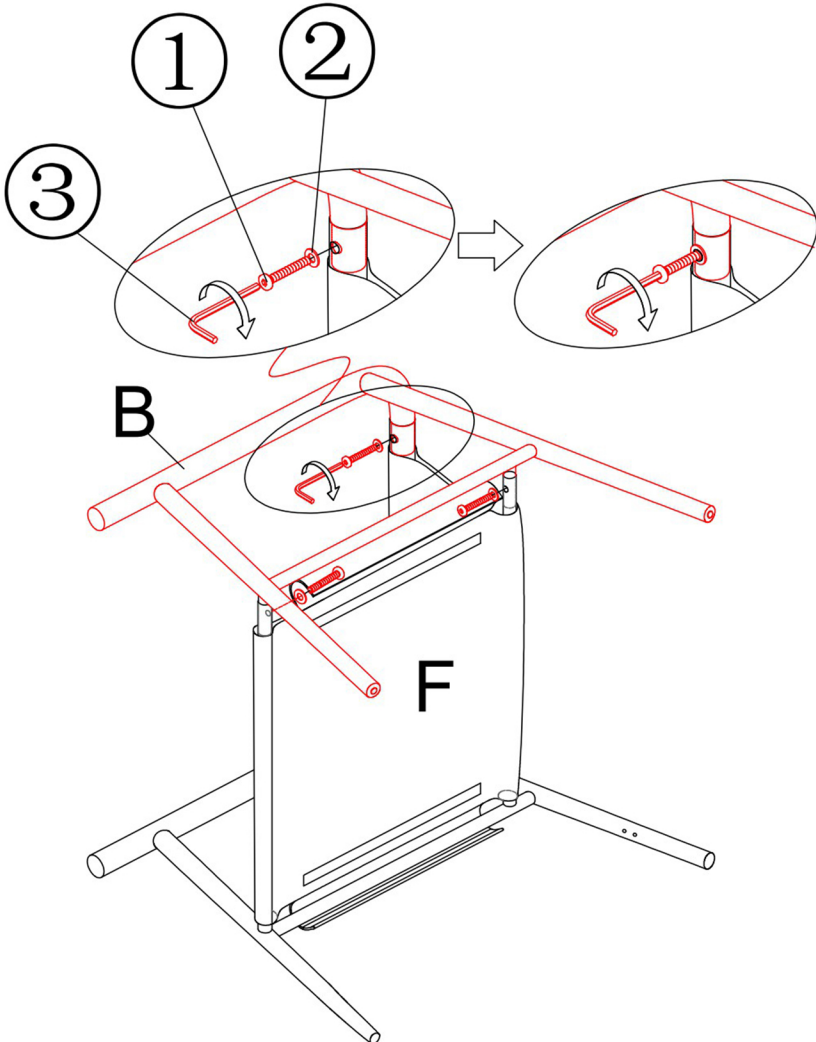
step 6

Connect the right armrest part (B) with the previous parts as shown, make sure they are aligned.



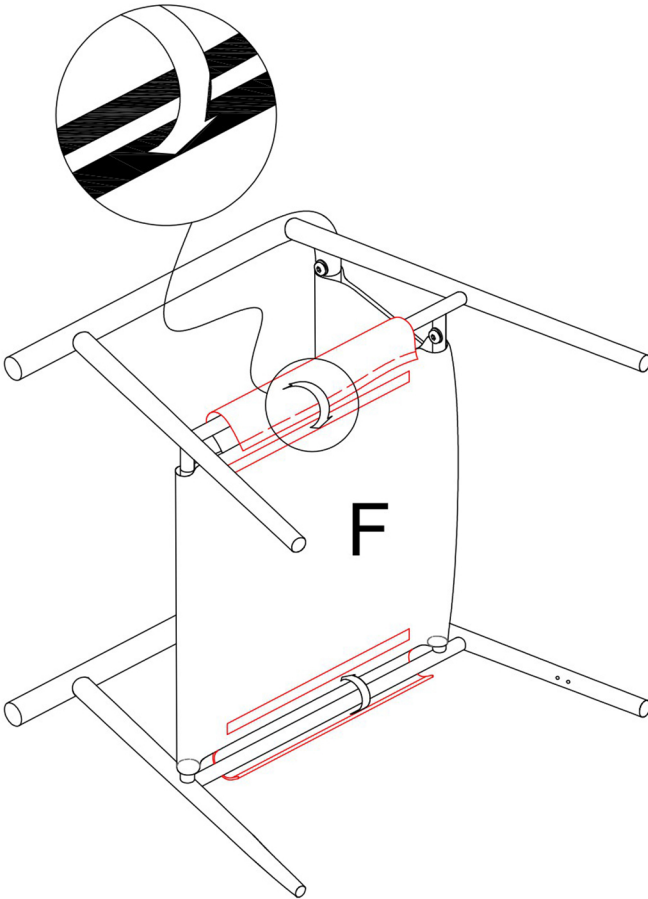
step 7

First, add one washer (2) on each screw (1) as shown, then align the screw holes on both rails and armrest part, then use the allen wrench (3) provided to tighten all screws by 30% -50% at first, ensuring that all screws are aligned correctly before tightening all screws.



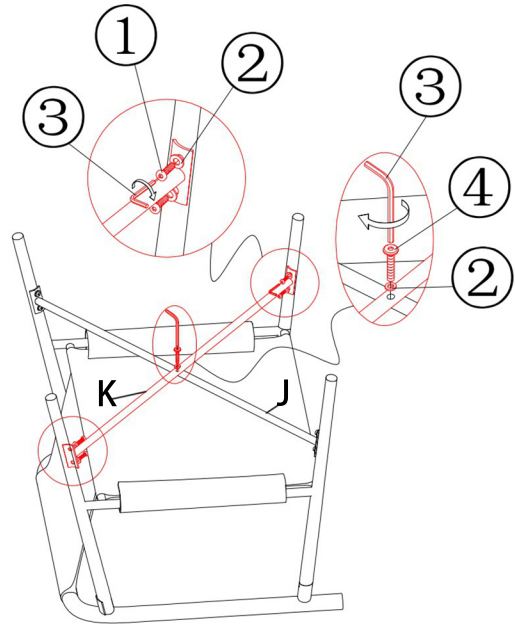
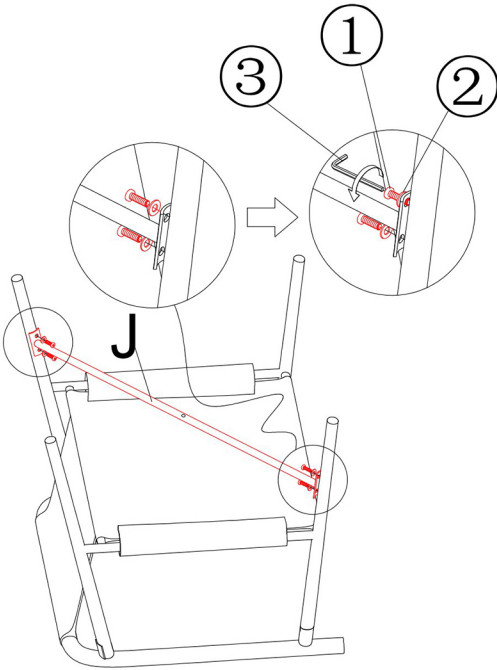
step 8

Stick the Velcro cover underneath the cloth cover (F) as shown.



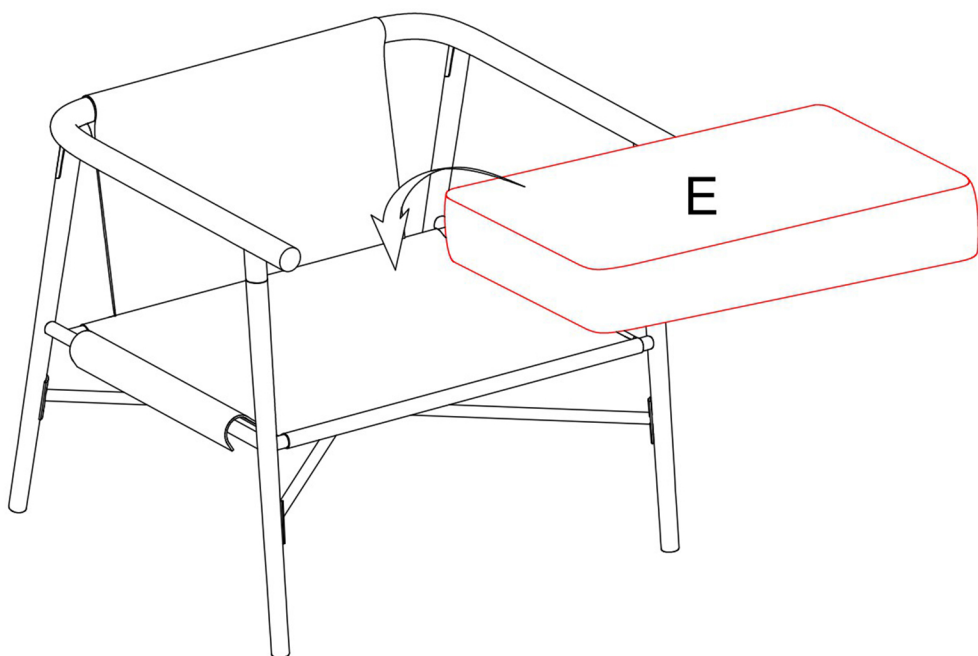
step 9

First, add one flat washer (2) onto each bolt (1), then use the allen wrench (3) provided to connect two support rails (J)&(K) in cross shape onto the chair legs as shown. Then use the bolt (4) to fix both of the rails on their cross point, make sure all the bolts are correctly aligned.



step 10

Place the seat cushion (E) onto the chair.



step 11

Place the back cushion (H) onto the chair.

