

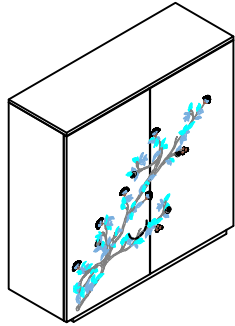


THEODORE ALEXANDER

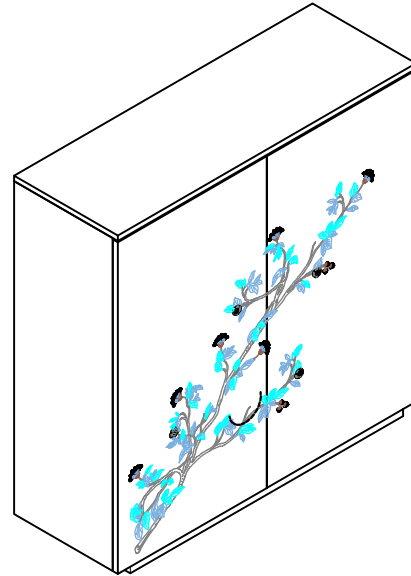
# TA61290 ASSEMBLY INSTRUCTION

Page: 1/2  
Date: 22-Aug-2025

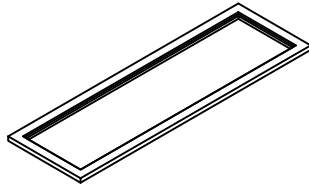
**P1** Cabinet (x 1pc)



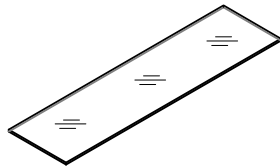
**STEP 1:**



**P2** Shelf frame (x 2pcs)



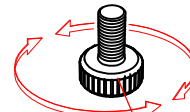
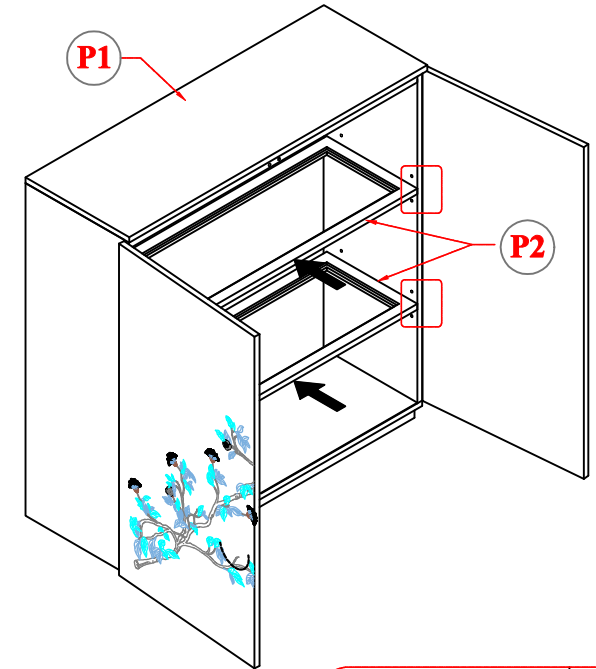
**P3** Shelf Glass (x 2pcs)



**1** Brass shelf holder (x 8)

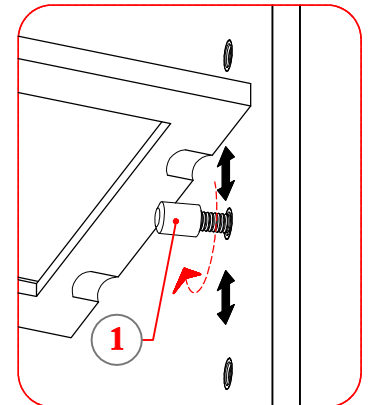


**STEP 2:**



**Adjust Leveler**

**Detail 'A'**



**Detail 'B'**



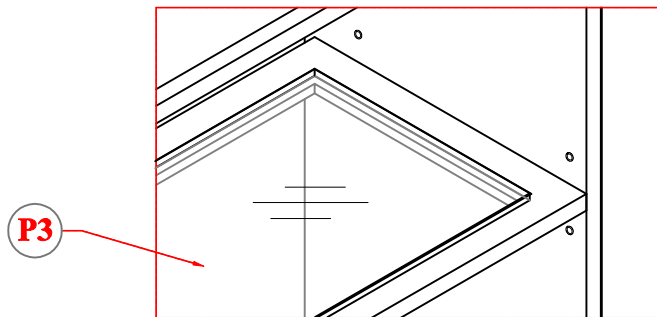
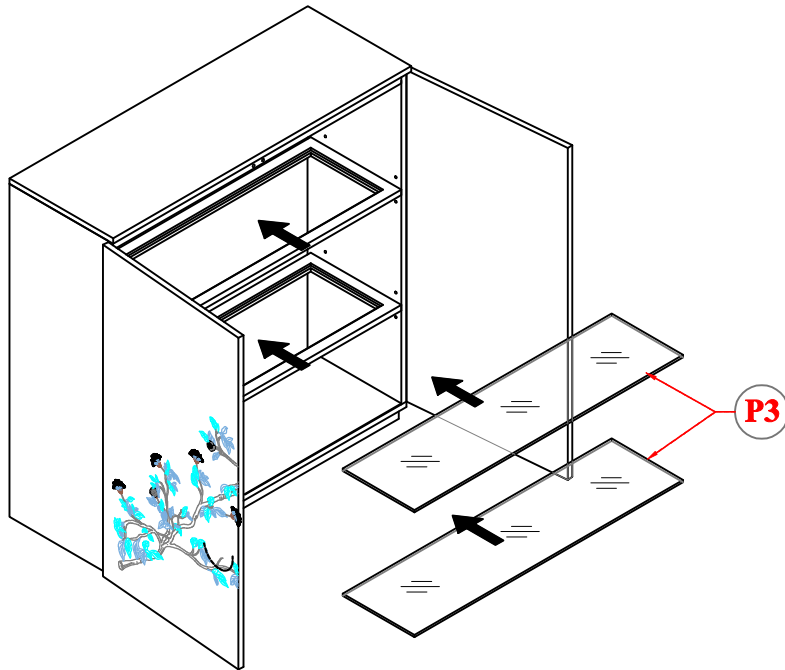
THEODORE ALEXANDER

# TA61290 ASSEMBLY INSTRUCTION

Page: 2/2

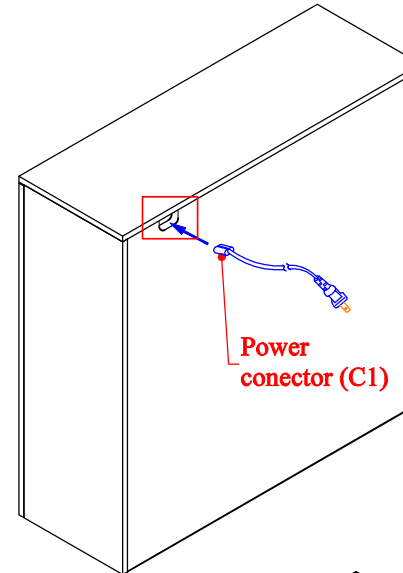
Date: 22-Aug-2025

## STEP 3:



Detail 'C'

## STEP 4:



### INSTRUCTION

1. Plug the power cord to the adapter and outlet on the wall then test the lights by open and close the doors and by pressing on the push switch of the top of the cabinet. See Sketch 1 & 2.

// if the light dose not work, please double-check power cord or outlet. Refer **power cord (C1).**

### Sketch 1

