











Assembly Instructions

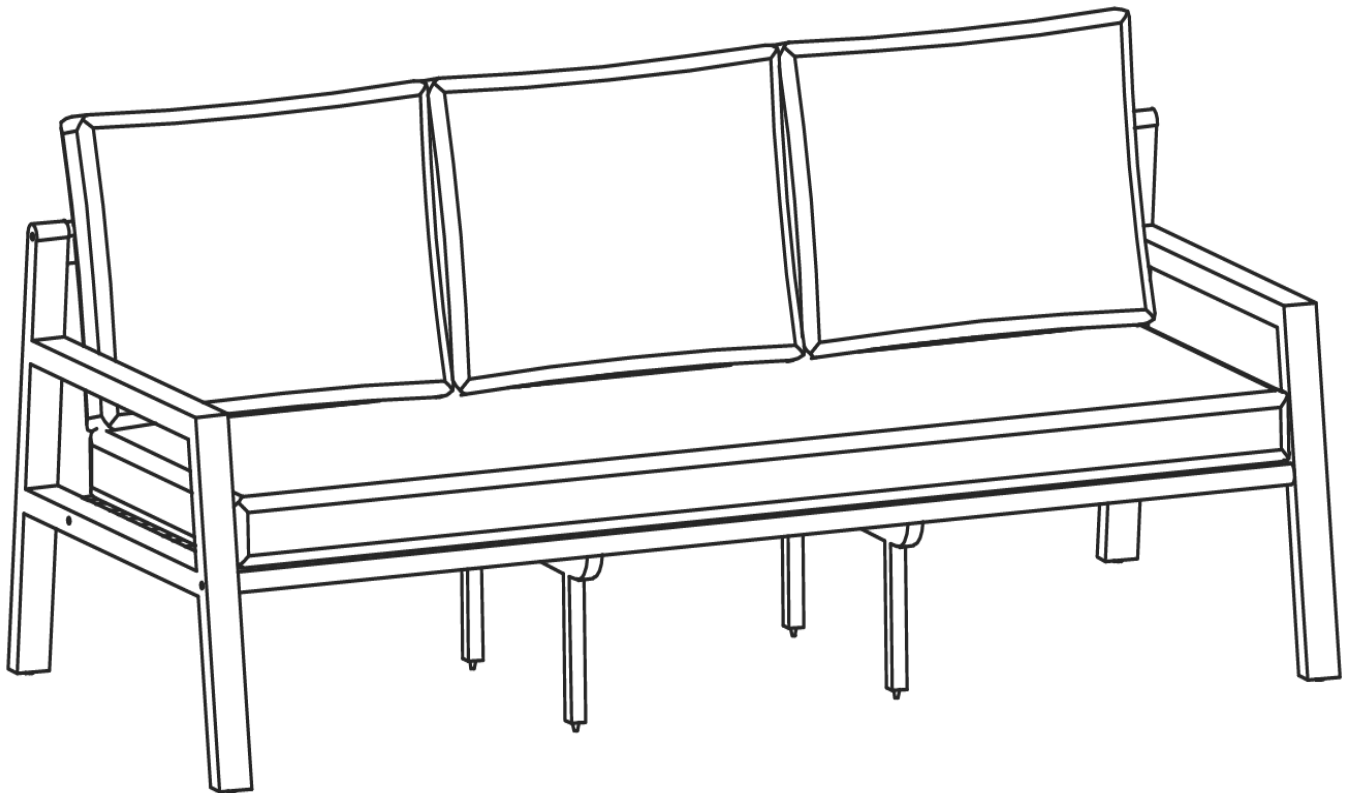
CAUTION: You must read these Assembly Instructions before you proceed.

Care & Maintenance

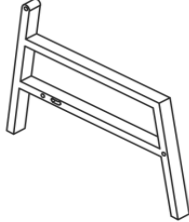
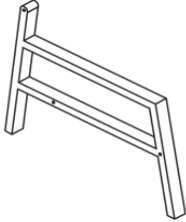
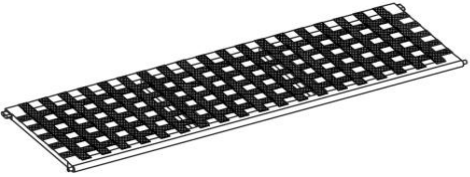
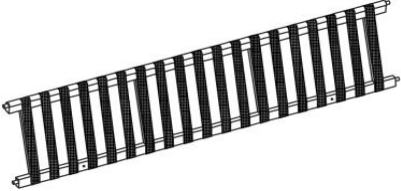
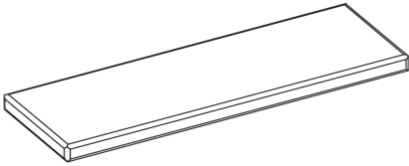
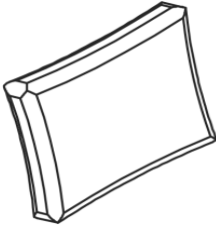
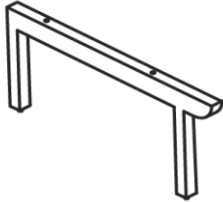
-  • Not for commercial use. For residential use only.
-  • Do not put hot items directly on furniture surface.
-  • Do not clean furniture with harsh cleansers or polish.
-  • To obtain the longest lifespan of your outdoor product minimizing exposure to direct sunlight is recommended.
-  • Children should not climb or jump on the furniture.
-  • Do not write on furniture without a padded barrier to protect the surface.
-  • To obtain the longest lifespan of your outdoor products, avoid extended and lengthy exposure to rain, snow, and direct sunshine. Whenever possible cover the product and /or place under patio or awnings.
-  • Stains may be removed with mild soap solution and damp cloth.
-  • Keep away from sources of ignition.
-  • Dust and pick-up spills using a clean, non-colored, lint-free cloth.

Please look in the Seat Panel for hardware packs.



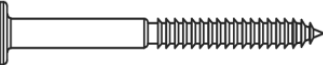

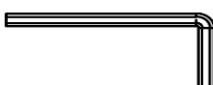
3 SEATERS



Parts List:

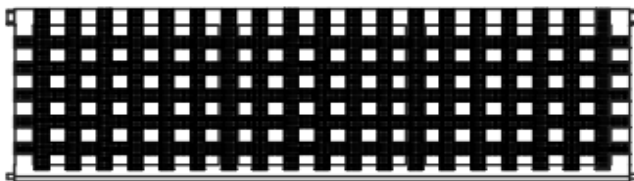
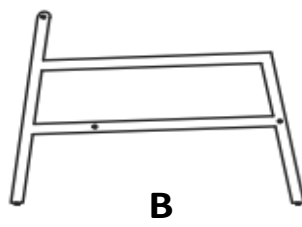
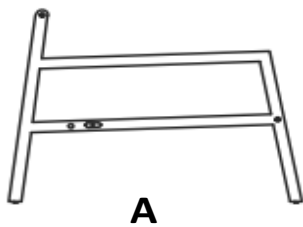
Label	Picture	Description	QTY
A	 A line drawing of a right leg panel, which is a rectangular frame with a horizontal top rail and a vertical back rail, and a single leg extending downwards from the bottom right corner.	Right Leg Panel	1
B	 A line drawing of a left leg panel, which is a rectangular frame with a horizontal top rail and a vertical back rail, and a single leg extending downwards from the bottom left corner.	Left Leg Panel	1
C	 A line drawing of a seat panel, which is a rectangular frame with a grid of small squares on the top surface, representing a mesh or woven seat.	Seat Panel	1
D	 A line drawing of a backrest panel, which is a rectangular frame with a series of vertical slats or ribs on the top surface, representing a backrest.	Backrest Panel	1
E	 A line drawing of a seat cushion, which is a simple rectangular block with a slightly raised edge on one side, representing a cushion.	Seat Cushion	1
F	 A line drawing of a back cushion, which is a rectangular block with a curved top edge and a slightly raised edge on one side, representing a backrest cushion.	Back Cushion	1
G	 A line drawing of a support leg, which is a rectangular frame with a horizontal top rail and a vertical back rail, and a single leg extending downwards from the bottom right corner.	Support Leg	2

Hardware:

No	Picture	Description	QTY
①		Screw (M6*60mm)	5
②		Screw (M6*70mm)	5
③		Screw (M6*90mm)	7
④		Plastic Washer (M20*20mm)	5
⑤		Allen Wrench	2

Assembly Preparation:

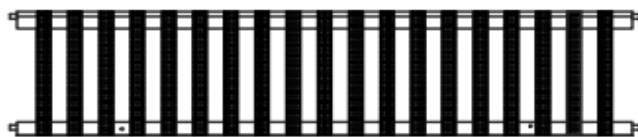
Before Beginning Assembly:



①  x5

②  x5

③  x7



④  x5

⑤  x2



- Read instructions, cover to cover-



- Have 2 adults on hand for assembly-



- Do not assemble on flooring or carpet-



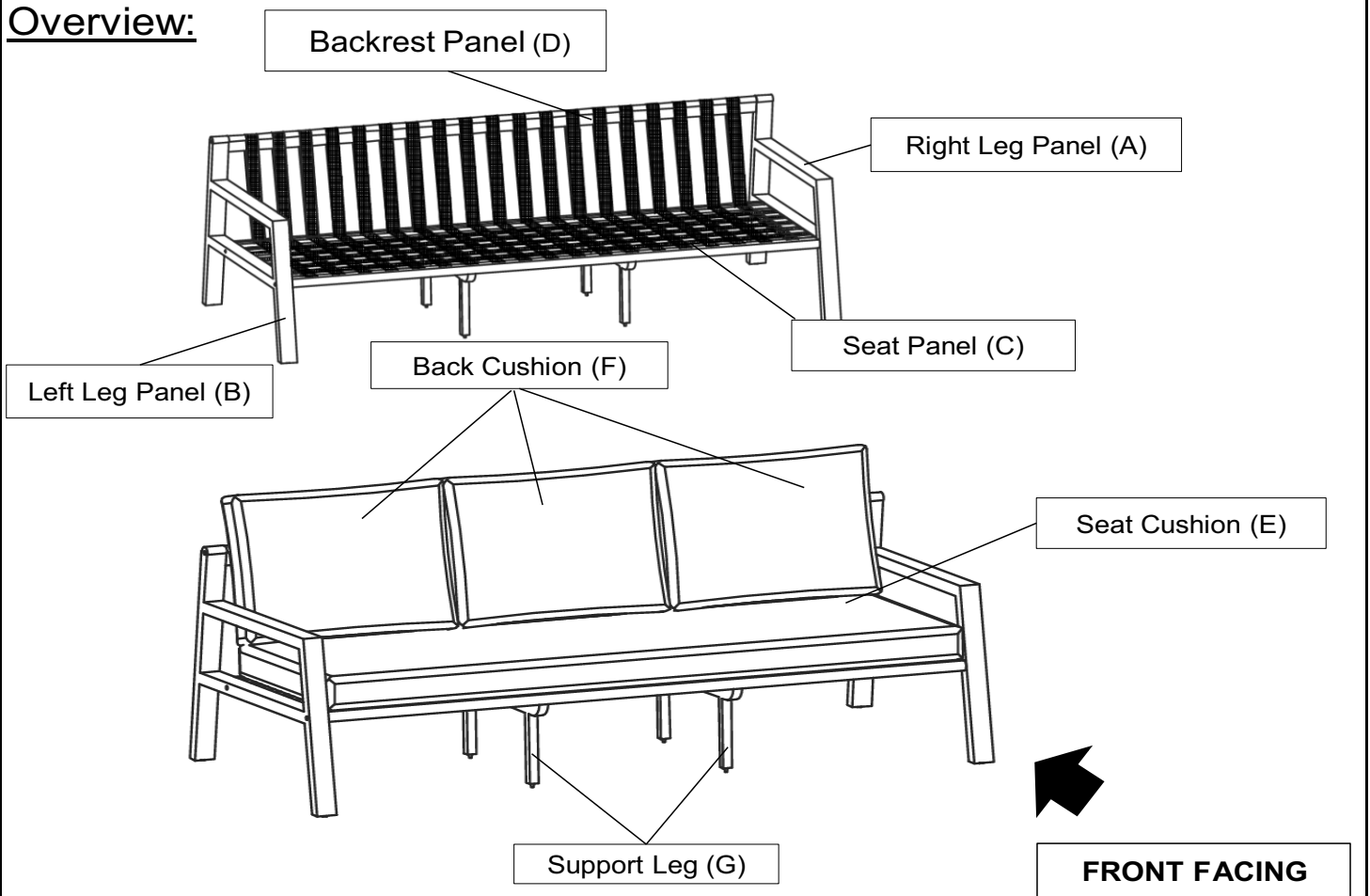
- Assemble on a clean non-marring surface (packing foam)-



- Save all packaging until finished-

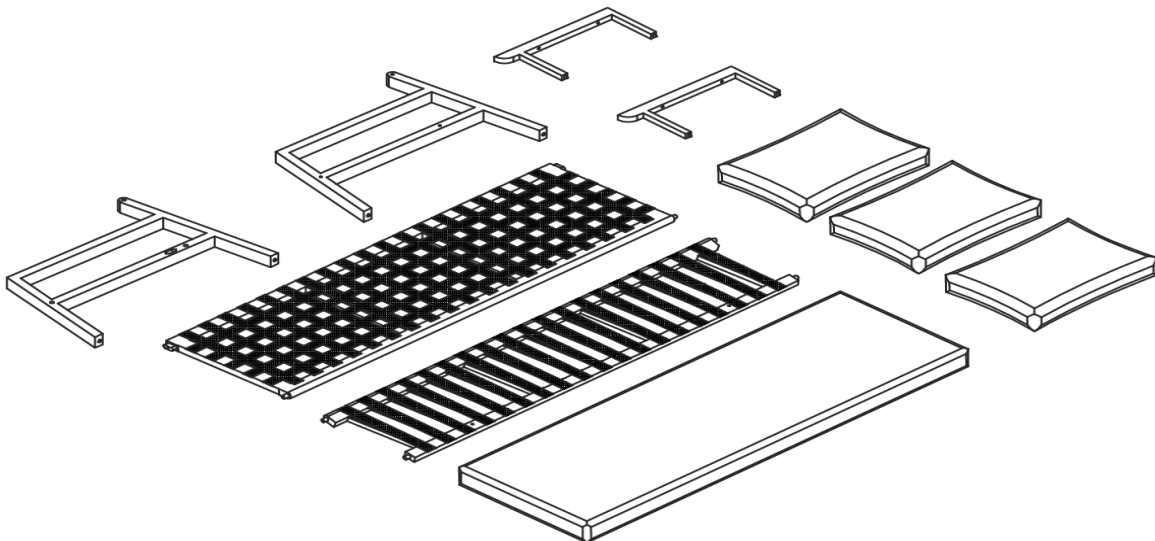
Assembly Steps:

Overview:



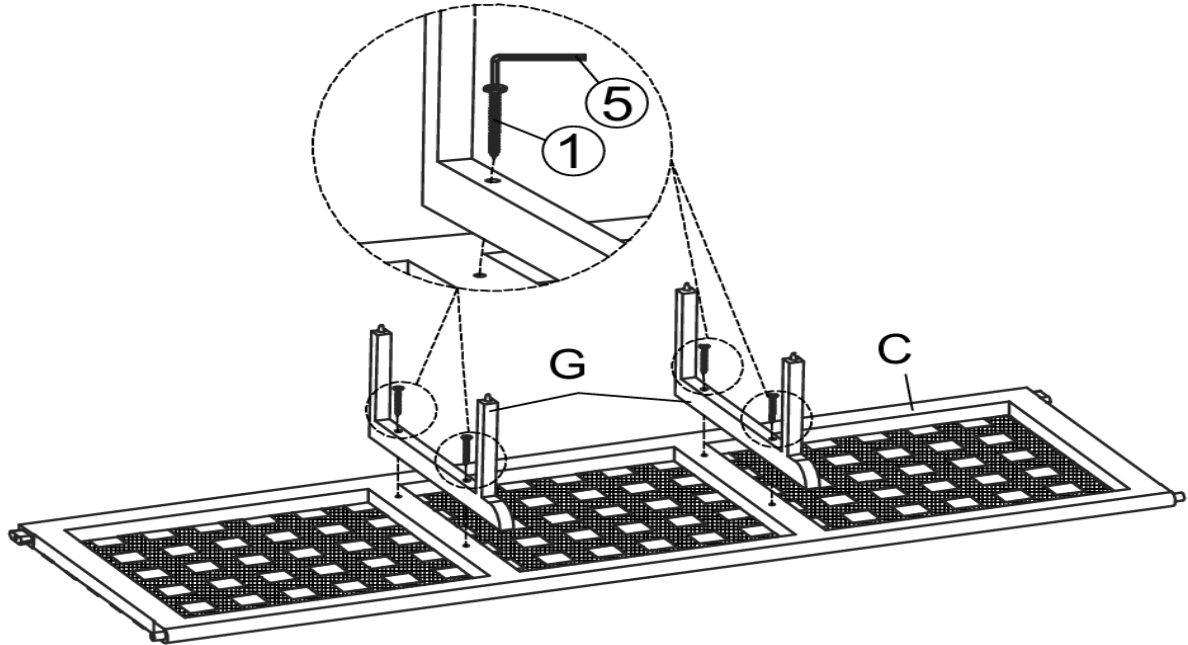
This 3 Seaters has multiple parts and may require up to 30 minutes to assemble. To give you an overview of the 3 Seaters parts, the above picture is to help you put the various parts into perspective. Please read through the instructions below to familiarise yourself with the parts and steps before assembly.

Step 1:



Unpack and place all parts on a clean, non-marring surface.

Step 2:



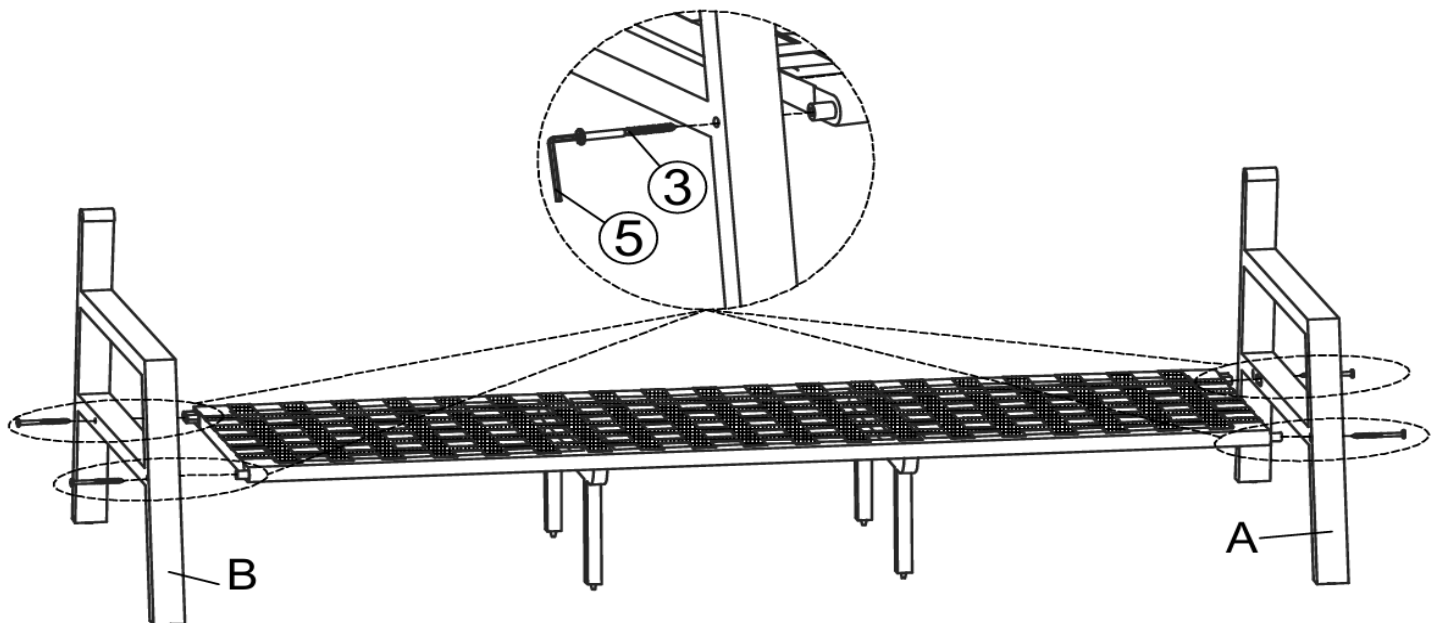
With the help of your adult partner, place the Seat Panel (C) facing down as shown above.

Attach the Support Leg (G) to the Seat Panel (C) and then secure by using Screws (①) and Allen Wrench (⑤) as shown above.

Repeat the same process with the remaining Support Leg (G).

Do not fully tighten the Screws.

Step 3:

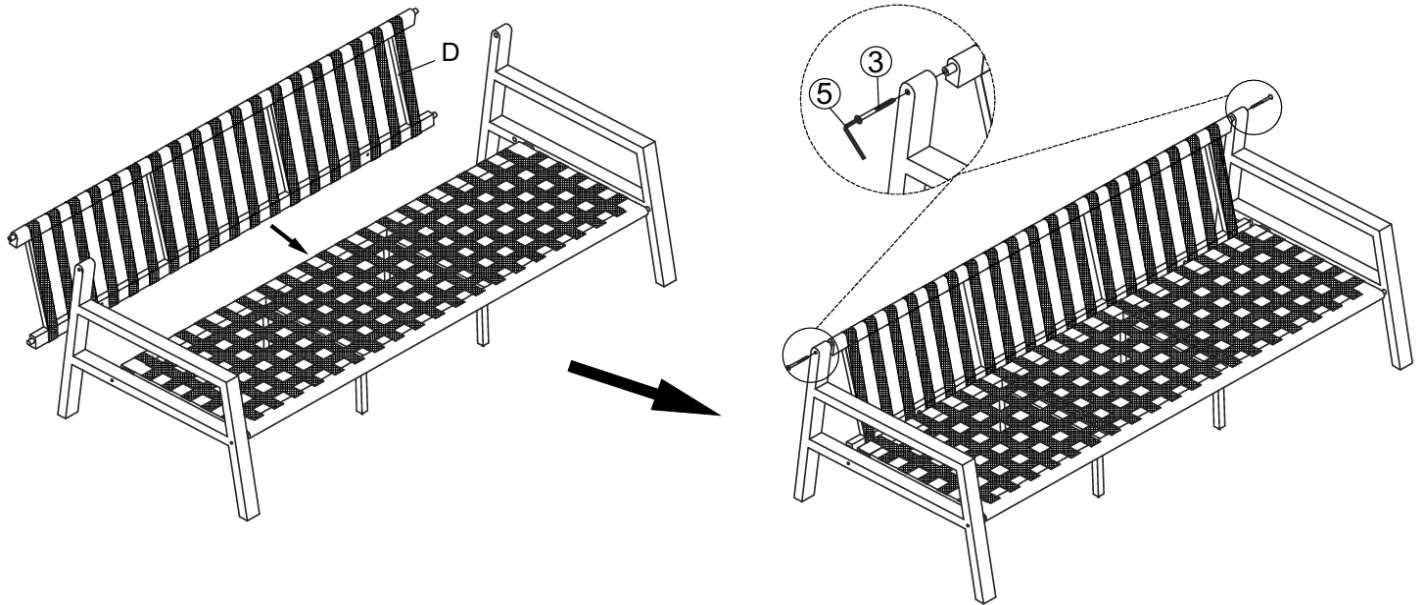


With the help of your adult partner, turn the assembled part in Step 2 right side up.

Then attach the Right Leg Panel (A) and Left Leg Panel (B) to the above frame by using Screws (③) and Allen Wrench (⑤) as shown above.

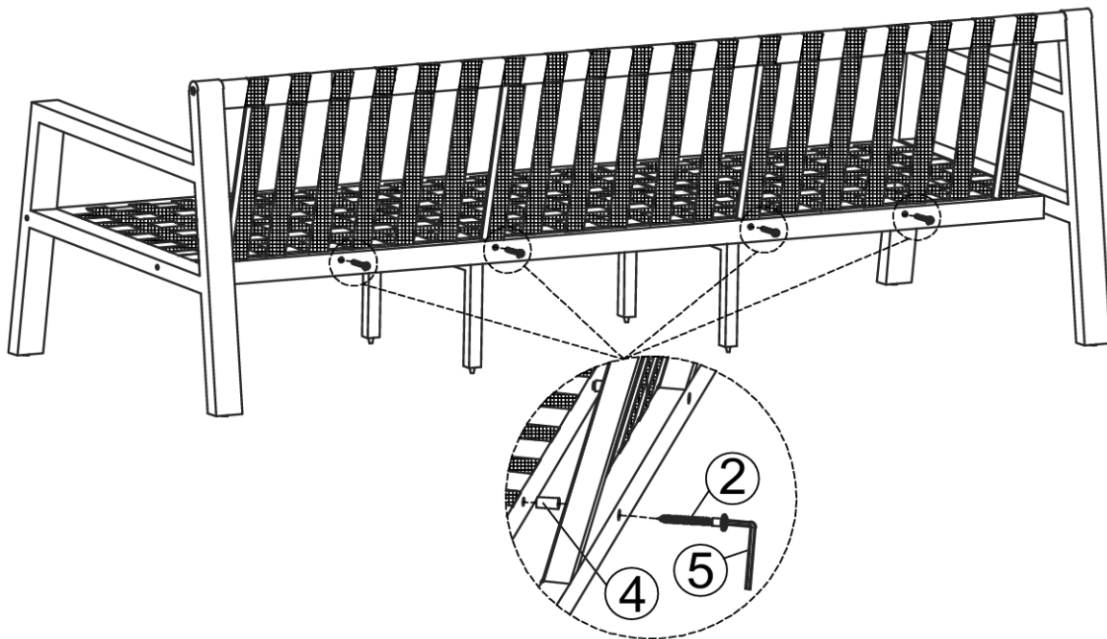
Do not fully tighten the Screws.

Step 4:



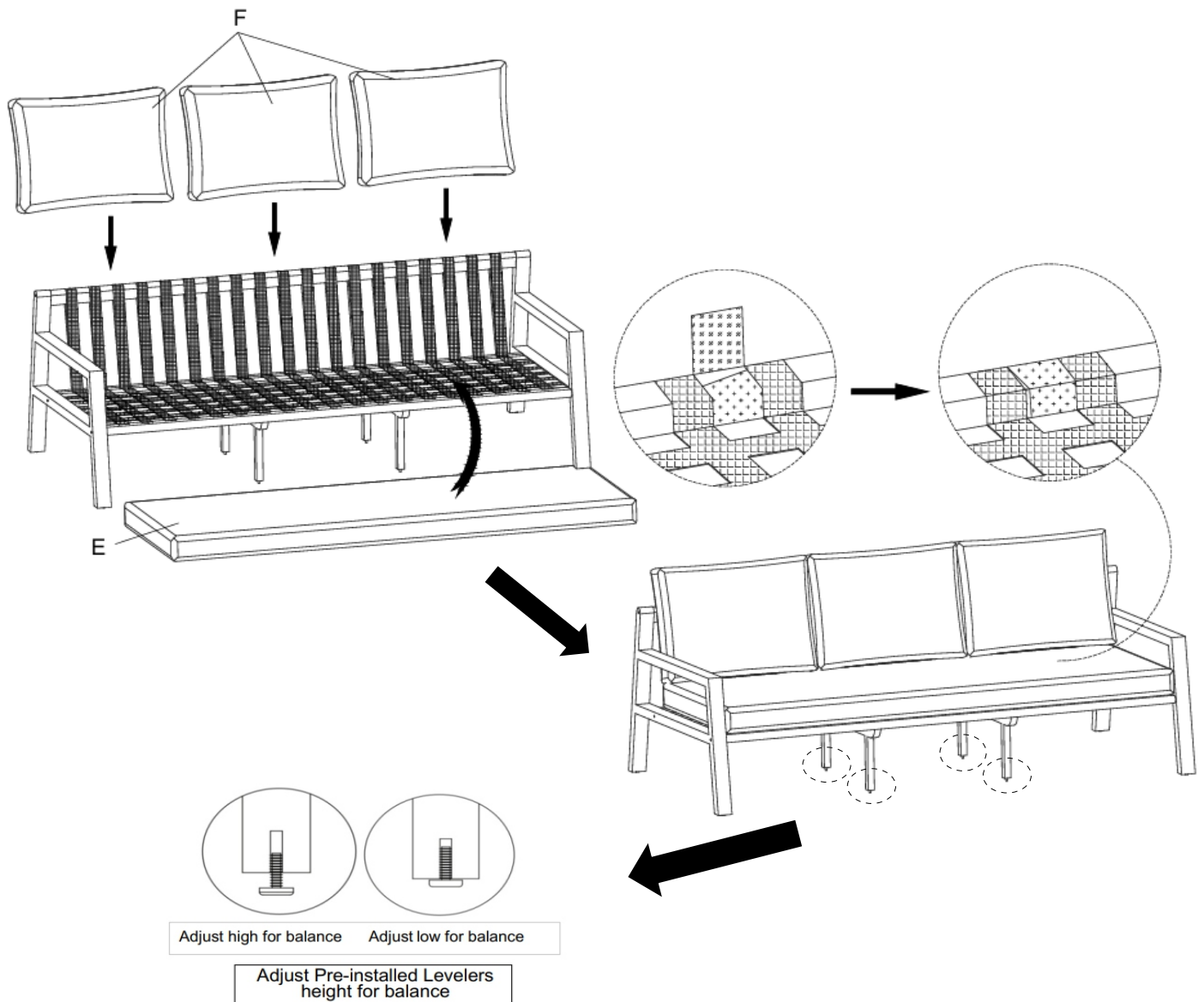
With the help of your adult partner, put the tenons of the Backrest Panel (D) to the mortises of Leg Panels (A, B) of the assembled part in Step 3 and then secure by using Screws (③) and Allen Wrench (⑤) as shown above.
Do not fully tighten the Screws.

Step 5:



With the help of your adult partner, secure the Backrest Panel (D) to the Seat Panel (C) by using Screws (②), Plastic Washers (④) and Allen Wrench (⑤) as shown above.
Do not fully tighten the Screws.

Step 6:



Inspect it and make sure all parts are adequately connected.

Gently and gracefully, sit onto the 3 Seaters.

This will help to align all the parts at all joint areas.

Then get off the 3 Seaters and in a sequential manner, gradually tighten all Screws at all joints until evenly connected.

If there are still wobbles, loosen the Screws and execute this same process.

Adjust Pre-installed Leveler height for balance as shown above.

Place the Seat Cushion (E) by affix the Magic Tape Straps on the Seat Panel (C) and then place the Back Cushions (F) onto the Seat Cushion (E) as shown above.

WARNING!! IF 3 SEATERS IS NOT STABLE, IT COULD LEAD TO DAMAGING THE PRODUCT.

Your 3 Seaters is ready for use.

This 3 Seaters can only be used on a flat, level surface.