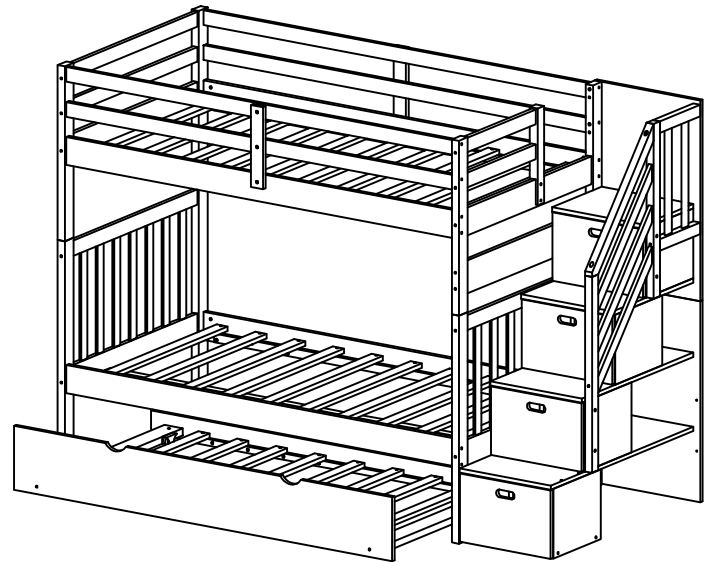
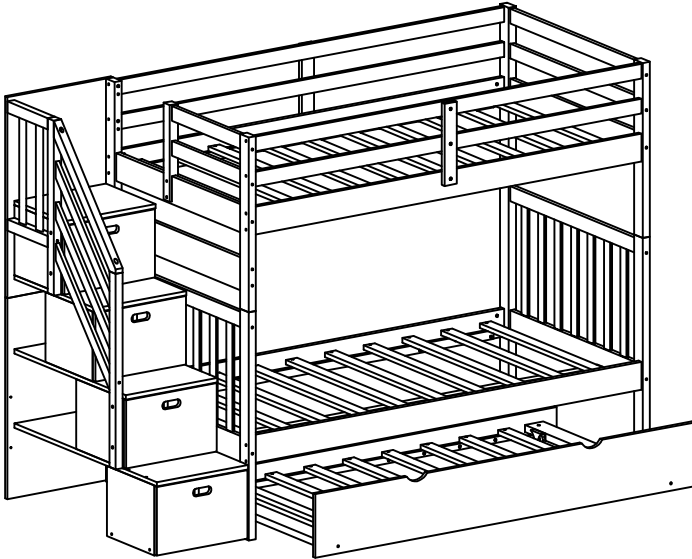


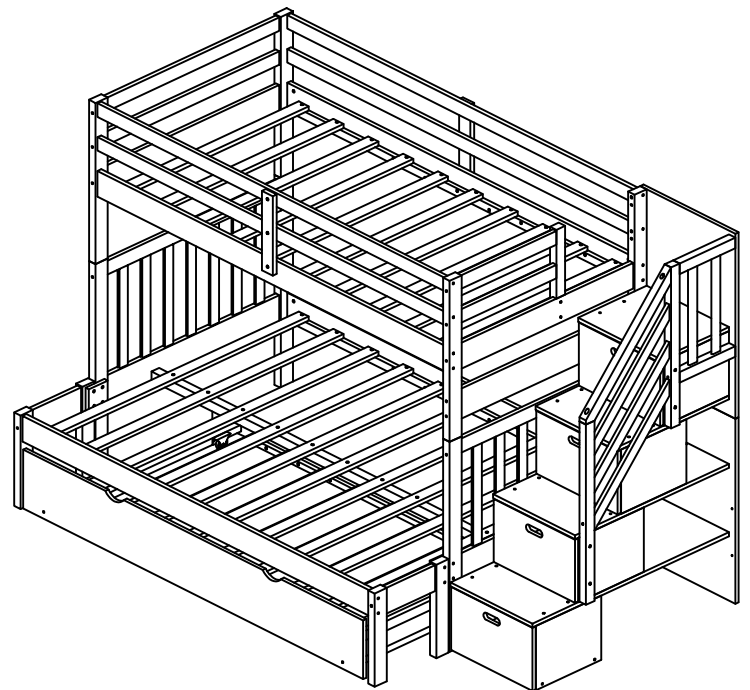
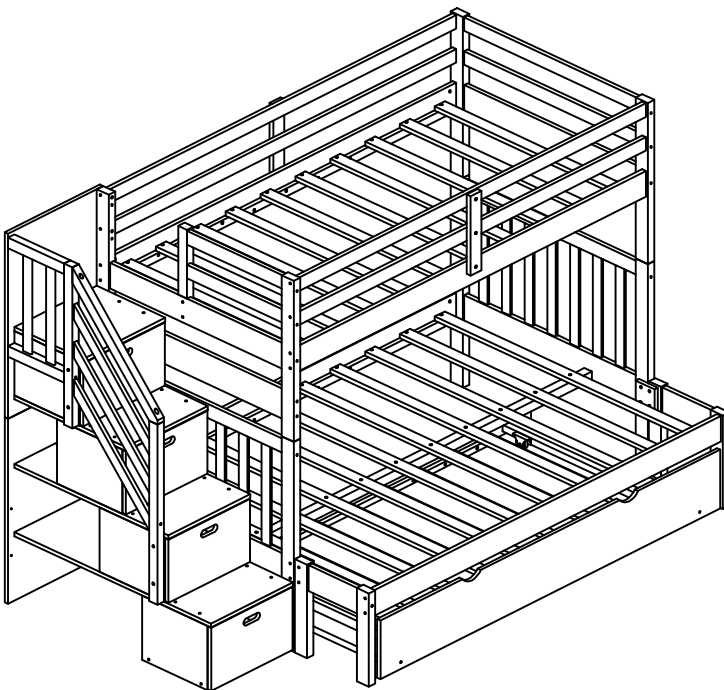
ASSEMBLY INSTRUCTIONS

TWIN OVER TWIN / FULL BUNK BED

TWIN - TWIN

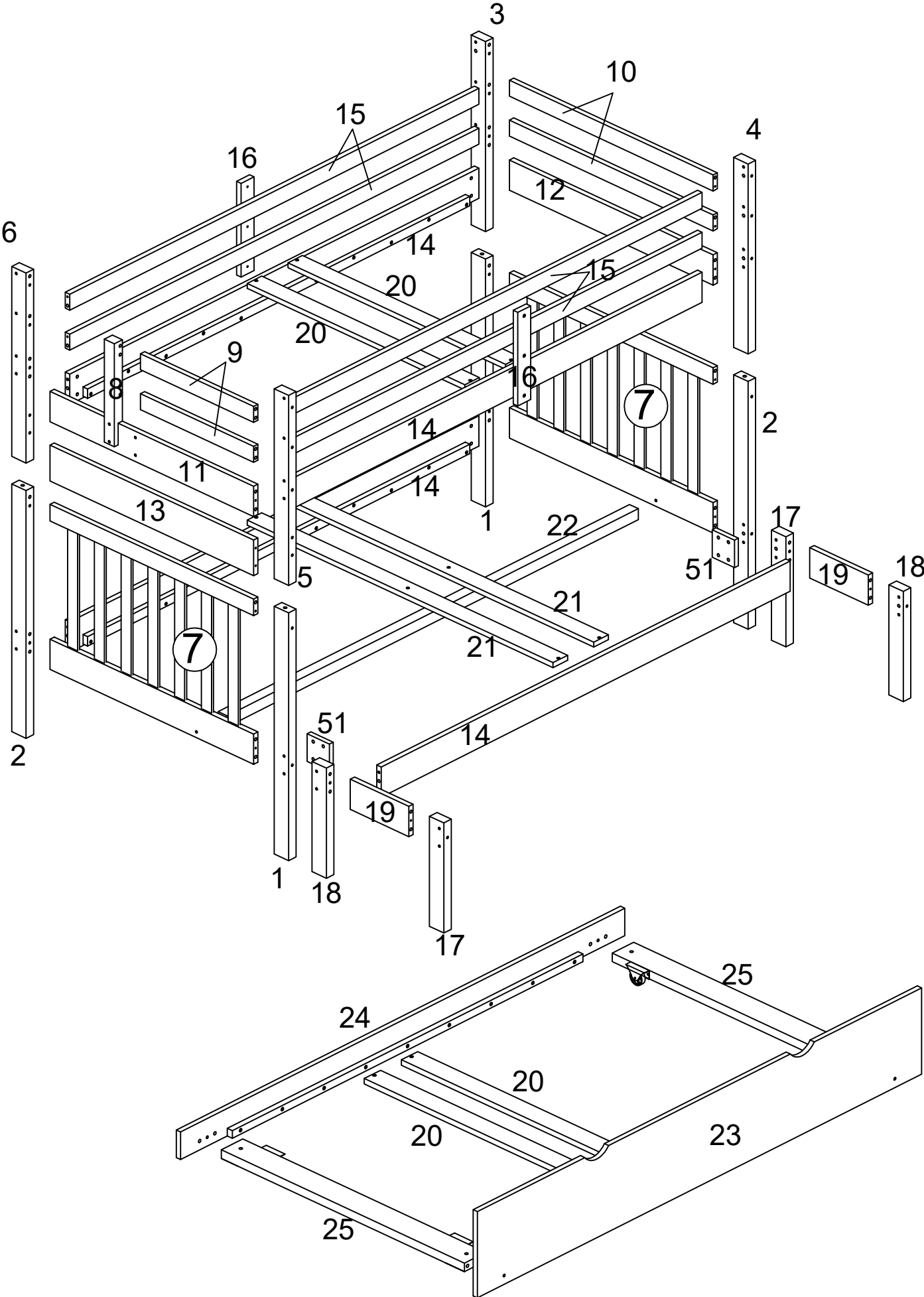


TWIN - FULL

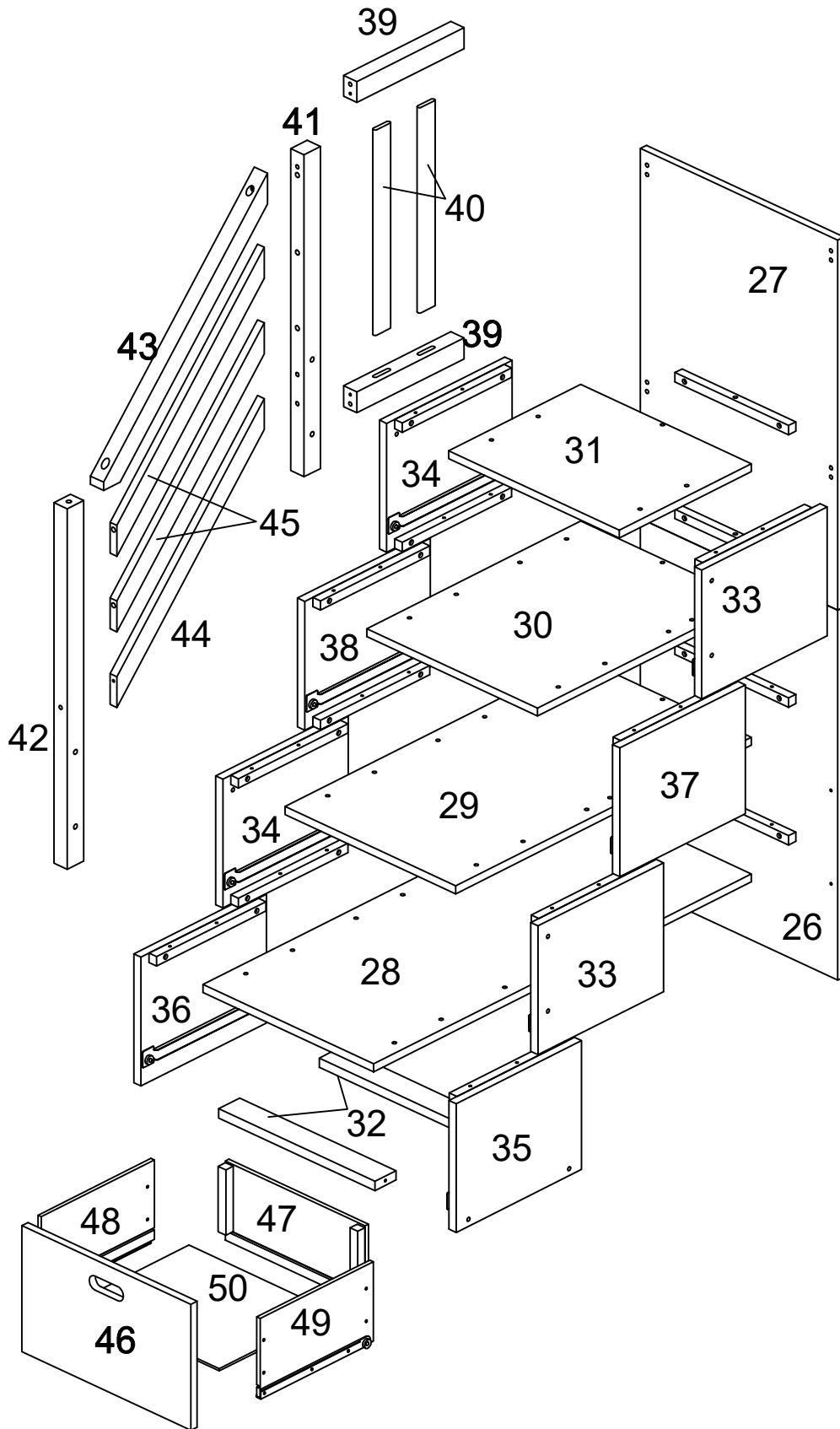


WF195447 - 195448 - 195449

Deatail View - Bunk Bed

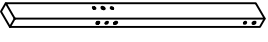
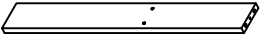
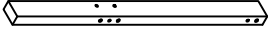
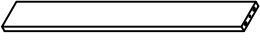

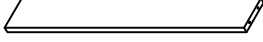
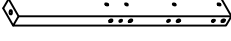


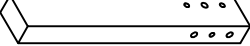

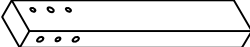

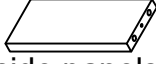
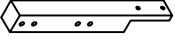
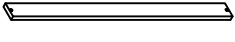
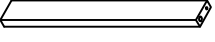
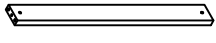
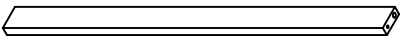
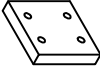


Detail View - Ladder


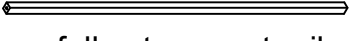
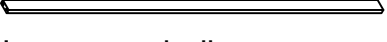

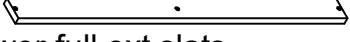



Parts List


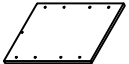

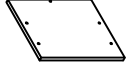

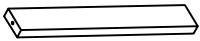
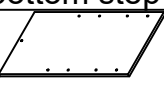

WF195447

1	Lower Left front leg & right back leg		2PCS	11	Upper left headboard center rail		1PC
2	Lower Left back leg & right front leg		2PCS	12	Upper right headboard bottom rail		1PC
3	Upper right back leg		1PC	13	Upper left headboard bottom rail		1PC
4	Upper right front leg		1PC	16	Upper guardrails supports		2PCS
5	Upper left front leg		1PC	17	Full bed ext left front leg & right back leg		2PCS
6	Upper left back leg		1PC	18	Full bed ext left back leg & right front leg		2PCS
7	Lower head board & foot board		2PCS	19	Full bed ext side panels		2PCS
8	Upper left headboard support		1PC	20	Twin slats - upper(10pcs) / lower (10pcs)/ trundle (8pcs)		28PCS
9	Upper left headboard rails		2PCS	25	trundle left & right side slats		2PCS
10	Upper right headboard rails		2PCS	51	Full ext connect supports		2PCS

WF195448


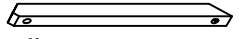

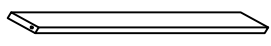

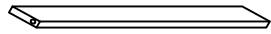
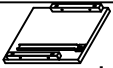
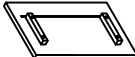



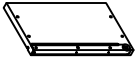
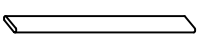
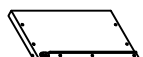
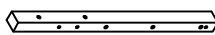
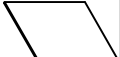
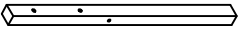
14	Upper & lower side rails		4PCS	22	Lower full ext support rail		1PC
15	Upper guardrails		4PCS	23	Trundle front panel		1PC
21	Lower full ext slats		10PCS	24	Trundle back rail		1PC

WF195449 (Hardware in this SKU)

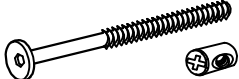
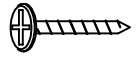
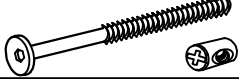

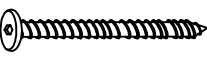

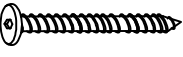

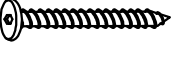

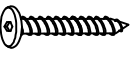





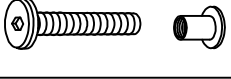
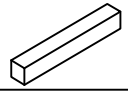
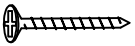
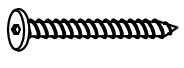
26	Ladder back bottom panel		1PC	30	Ladder center step panel		1PC
27	Ladder back top panel		1PC	31	Ladder top step panel		1PC
28	Ladder bottom step panel		1PC	32	Ladder bottom drawer support		2PCS
29	Ladder center step panel		1PC	33	Ladder drawer side panel		2PCS

Parts List

WF195449 (Hardware in this SKU)

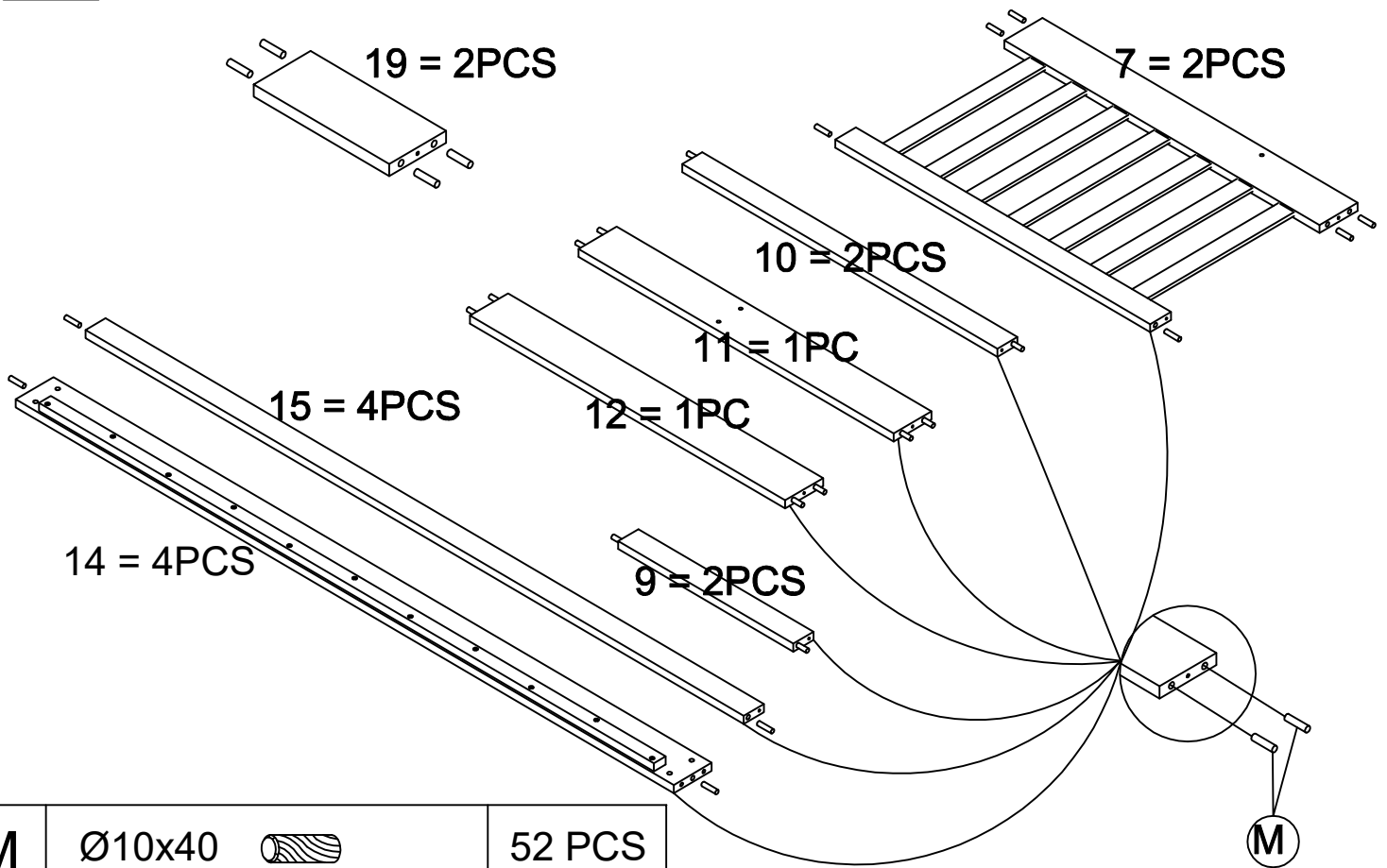
34	 Ladder drawer side panels	2PCS	43	 Ladder rail	1PC
35	 Ladder drawer side panel	1PC	44	 Ladder rail	1PC
36	 Ladder drawer side panel	1PC	45	 Ladder rails	2PCS
37	 Ladder drawer side panel	1PC	46	 Drawer front panels	4PCS
38	 Ladder drawer side panel	1PC	47	 Drawer back panels	4PCS
39	 Ladder support	2PCS	48	 Drawer left panels	4PCS
40	 Ladder supports	2PCS	49	 Drawer right panels	4PCS
41	 Ladder support	1PC	50	 Drawer bottom panels	4PCS
42	 Ladder support	1PC			

HARDWARE LIST (WF195449)

A	$\frac{1}{4}$ "x90 	16PCS	K	M4x20 	18 PCS
B	$\frac{1}{4}$ "x70 	4PCS	L		4 PCS
C	Ø6.5x110 	27PCS	M	Ø10x40 	60 PCS
D	Ø6.5x90 	11PCS	N	Ø8x30 	8 PCS
E	Ø6.5x50 	8PCS	O	Ø14x100 	4PCS
F	Ø6.5x30 	32PCS	P		1PC
G	$\frac{1}{4}$ "x75 	1PC	Q	M4x40 	2 PCS
H	$\frac{1}{4}$ "x45 	12PCS	R	4x70 	1PC
I	$\frac{1}{4}$ "x35 	2PCS	S	136mm 	1PC
J	M4x30 	104 PCS	T	Ø6.5x70 	7PCS

ASSEMBLY INSTRUCTIONS

STEP 1



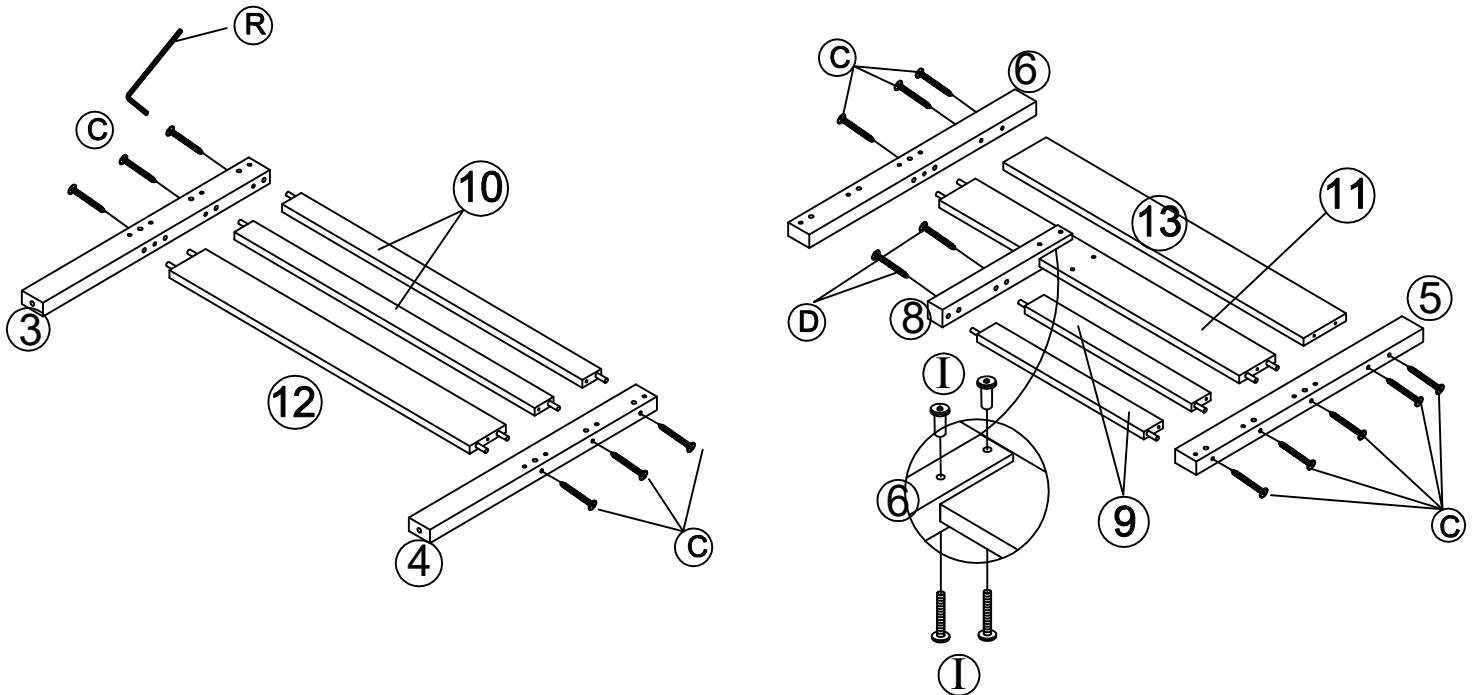
M

Ø10x40



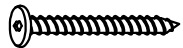
52 PCS

STEP 2



C

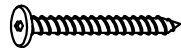
Ø6.5x110



14 PCS

D

Ø6.5x90



2 PCS

I

1/4x35



2 PCS

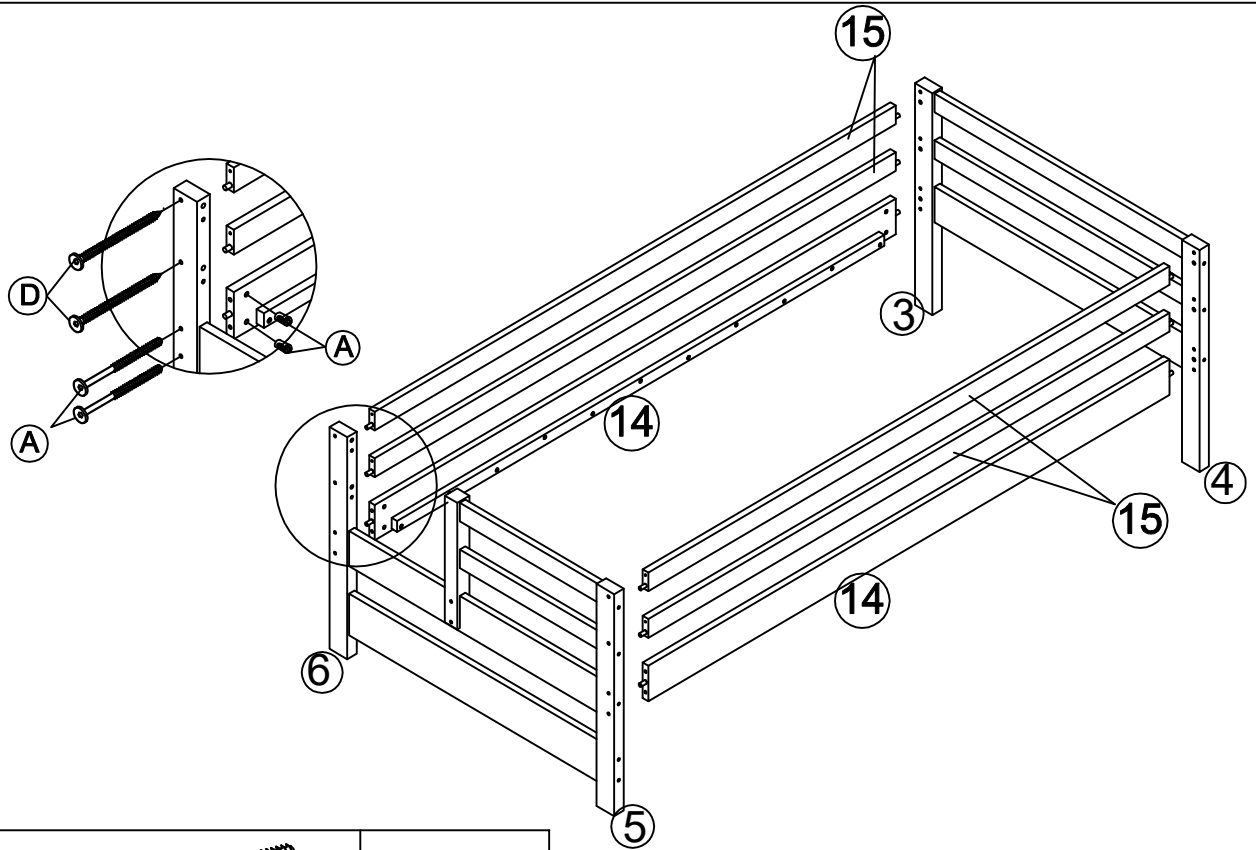
R

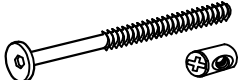
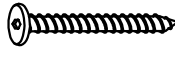

4x70



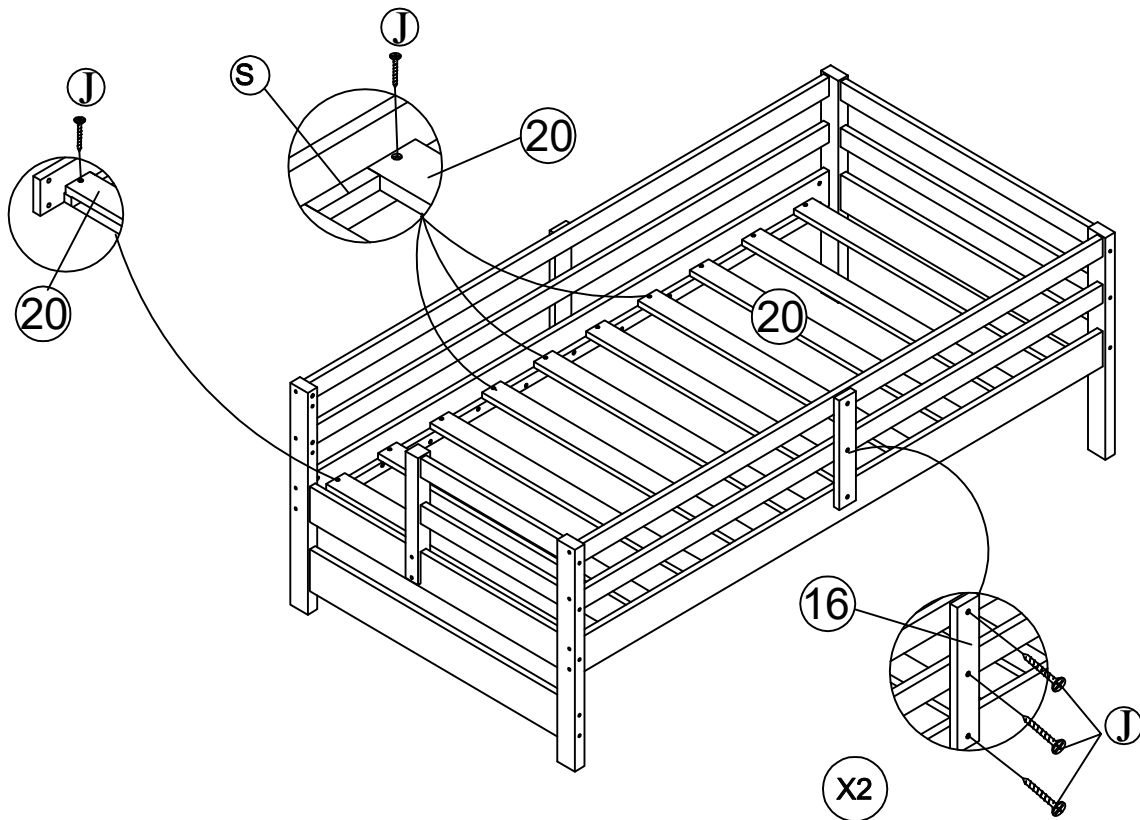
ASSEMBLY INSTRUCTIONS

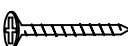
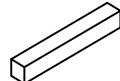
STEP 3



A	$\frac{1}{4}$ "x90 	8PCS	
D	$\varnothing 6.5$ x90 	8 PCS	R 4×70 

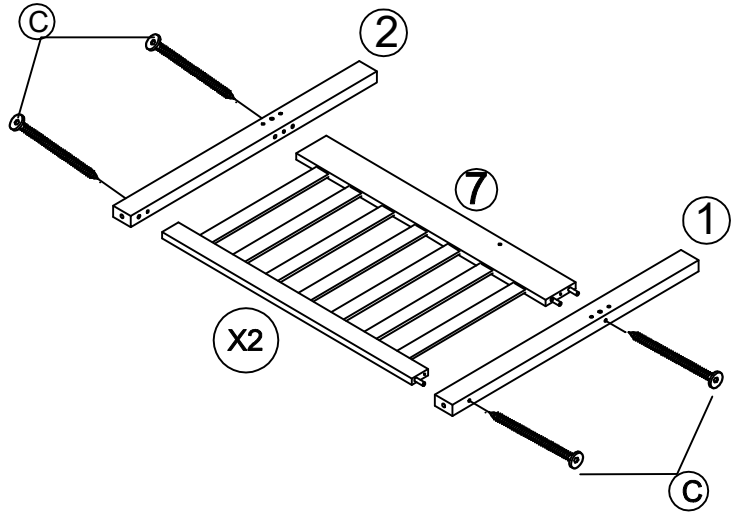
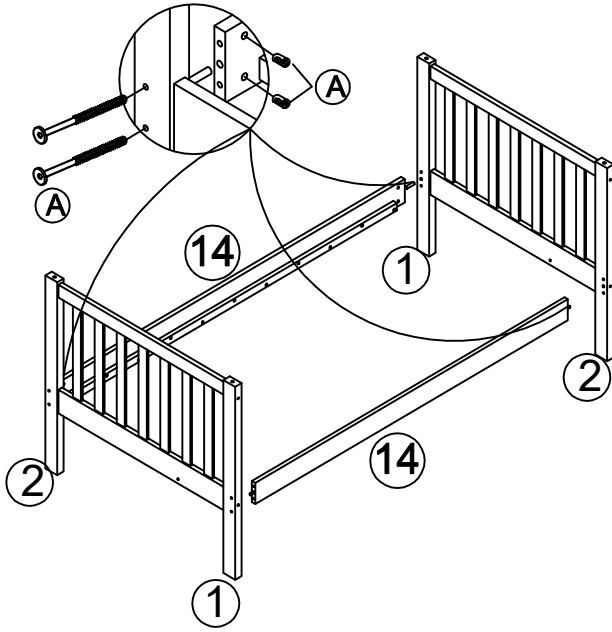
STEP 4

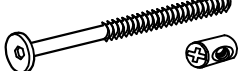


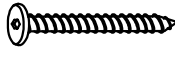
J	M4x30 	26PCS	S 136 mm 
---	---	-------	--


ASSEMBLY INSTRUCTIONS

STEP 5

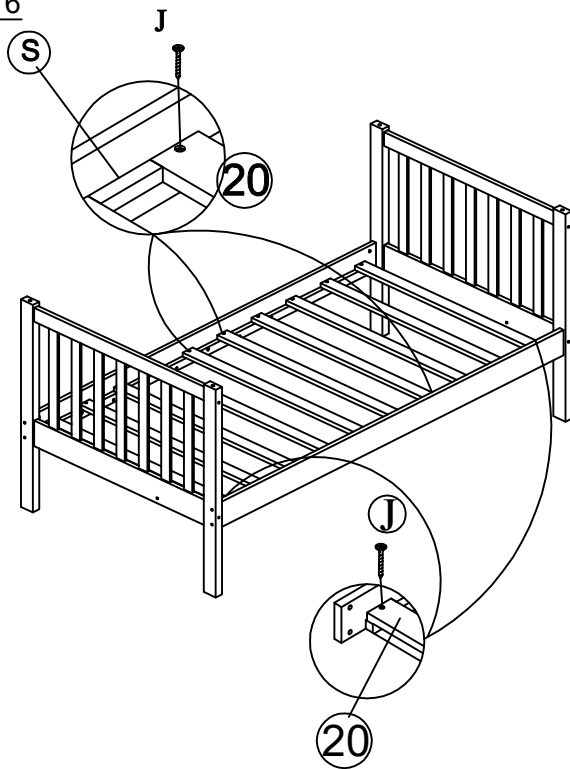


A $\frac{1}{4}$ "x90  8PCS

C $\text{\O}6.5 \times 110$  8 PCS

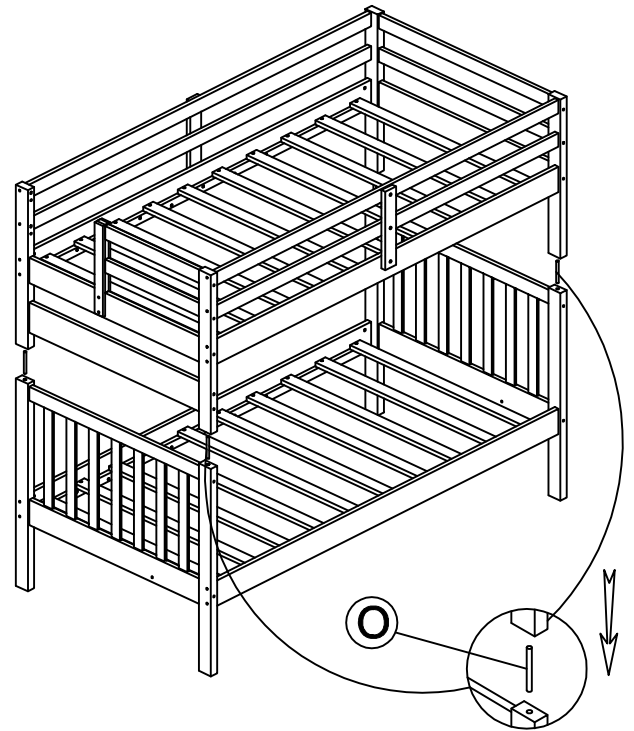
R 4x70 

STEP 6



TWIN

TWIN

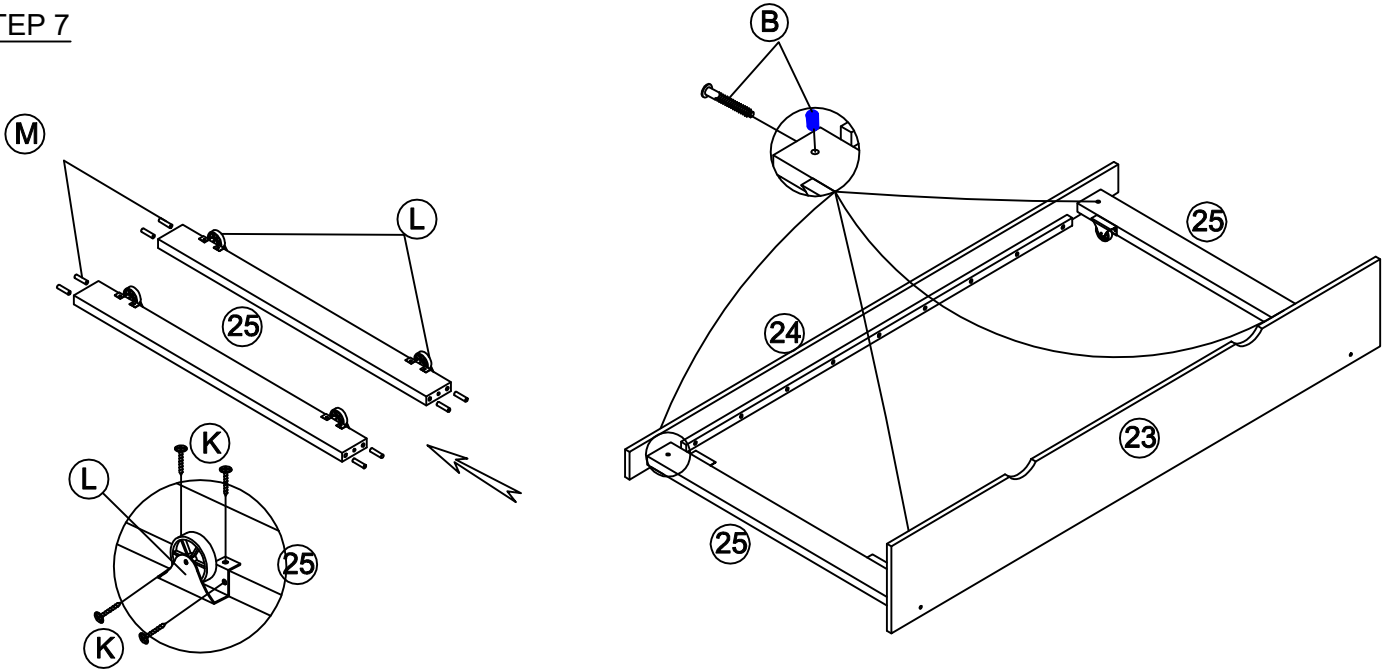


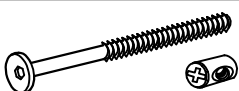
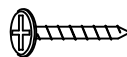

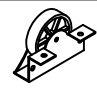

J M4x30  20PCS

O $\text{\O}14 \times 100$  4PCS

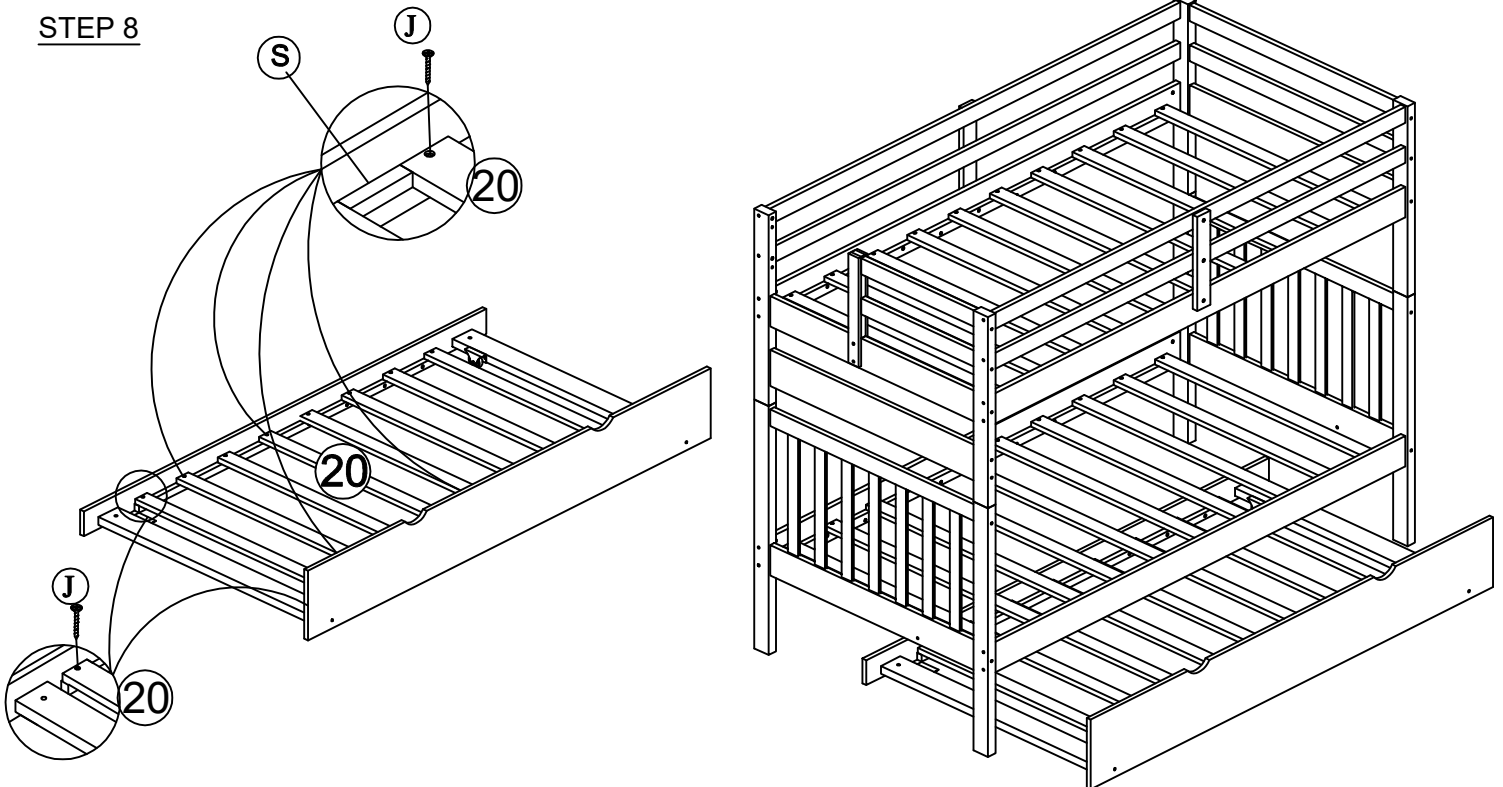
ASSEMBLY INSTRUCTIONS

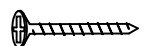
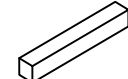
STEP 7



B	$\frac{1}{4}$ "x70		4PCS	K	M4x20		16 PCS
M	Ø10x40		8 PCS	L			4 PCS
				R	4x70		

STEP 8

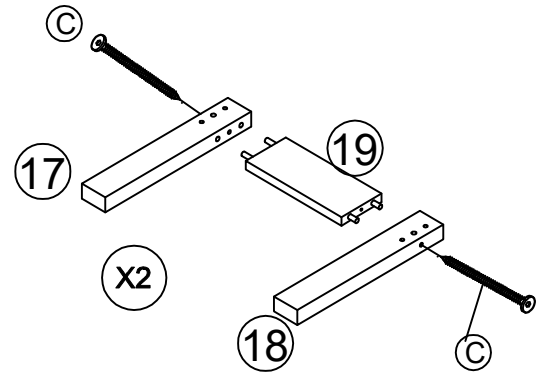
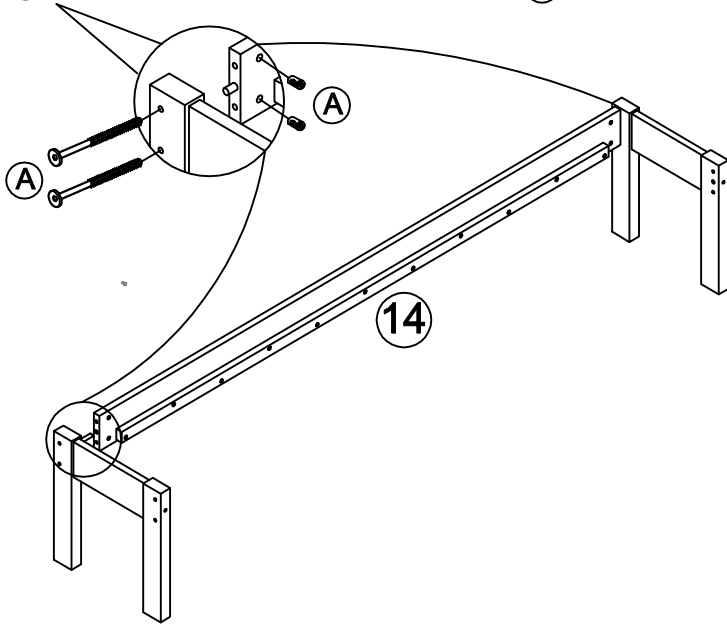


J	M4x30		16PCS	S	136mm		
----------	-------	---	-------	----------	-------	---	--

ASSEMBLY INSTRUCTIONS

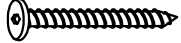
STEP 9

OPEN (14) LOWER FRONT SIDE RAIL AND REUSE 4PCS (A) TO ASSEMBLY WITH (17) & (18) "FULL SIZE EXTENTIN KIT"



C

Ø6.5x110



4 PCS

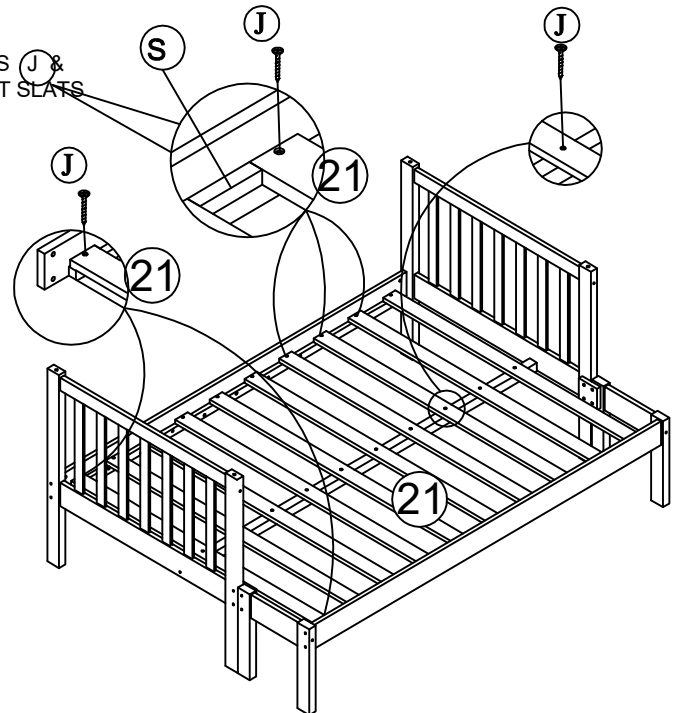
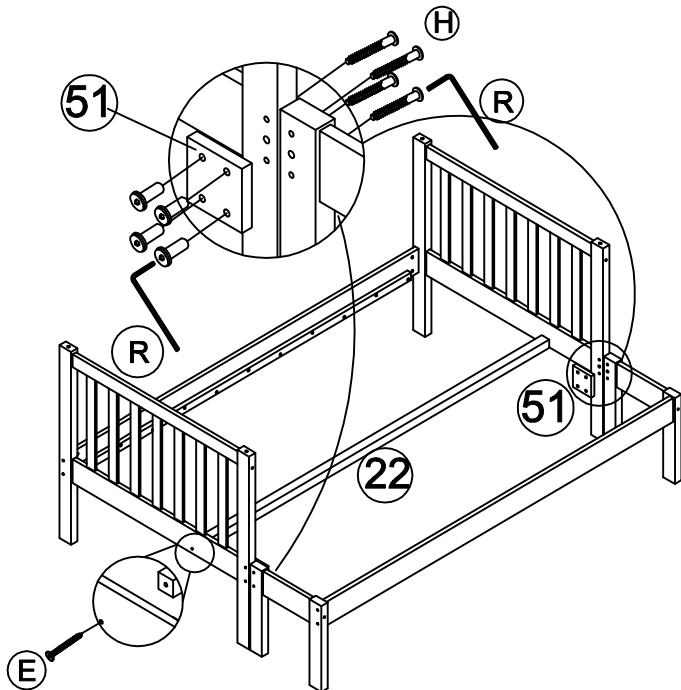
R

4x70



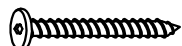
STEP 10

OPEN 10PCS (20) LOWER TWIN SLATS AND REUSE 20PCS (J) & 10PCS NEW (J) TO ASSEMBLY WITH (21) LOWER FULL EXT SLATS



E

Ø6.5x50



2 PCS

H

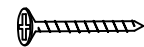
1/4"x45



8PCS

J

M4x30



10PCS

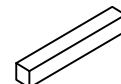
R

4x70



S

136mm

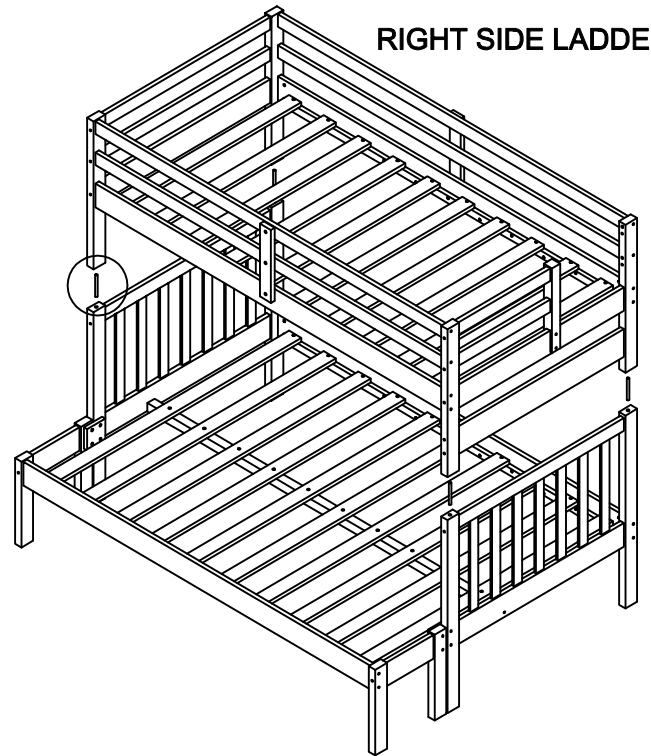
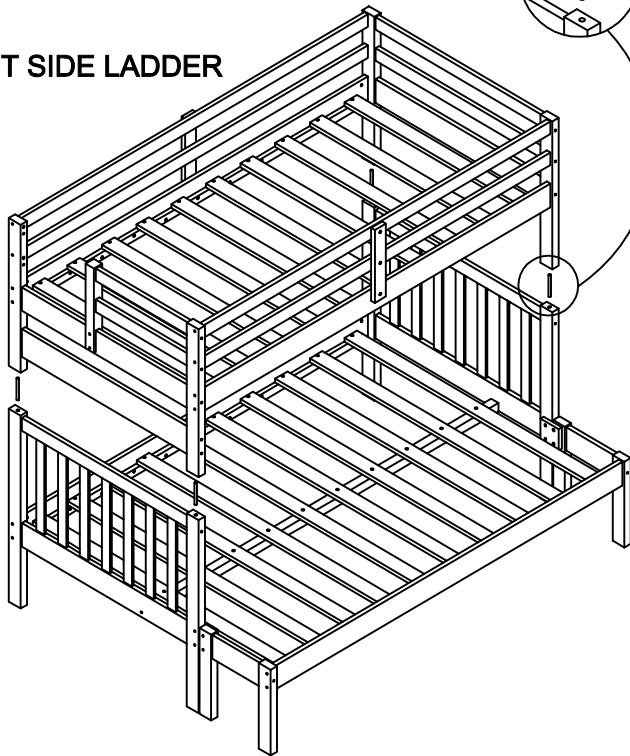
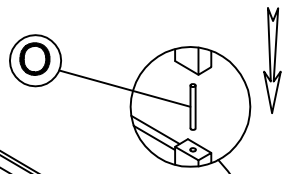


ASSEMBLY INSTRUCTIONS

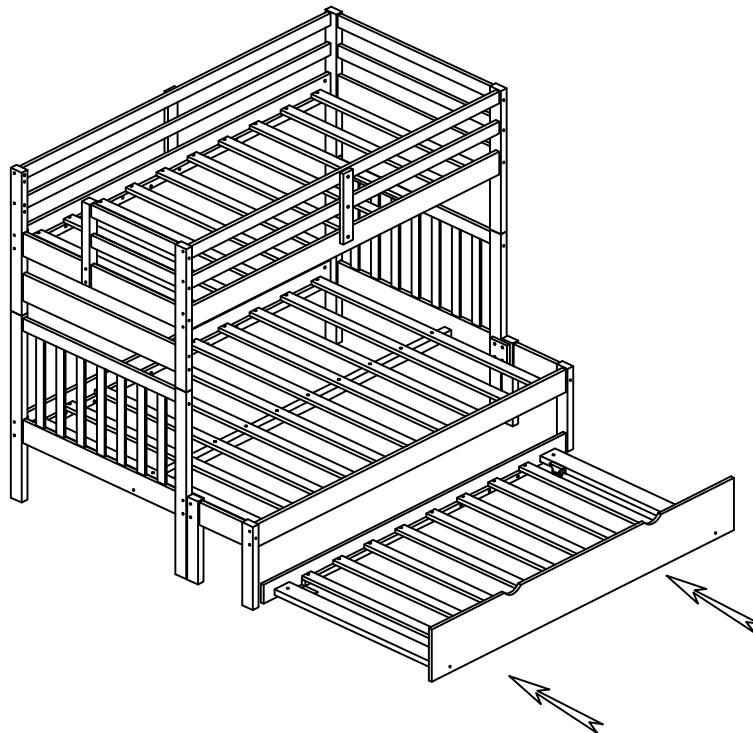
STEP 11

LEFT SIDE LADDER

RIGHT SIDE LADDER

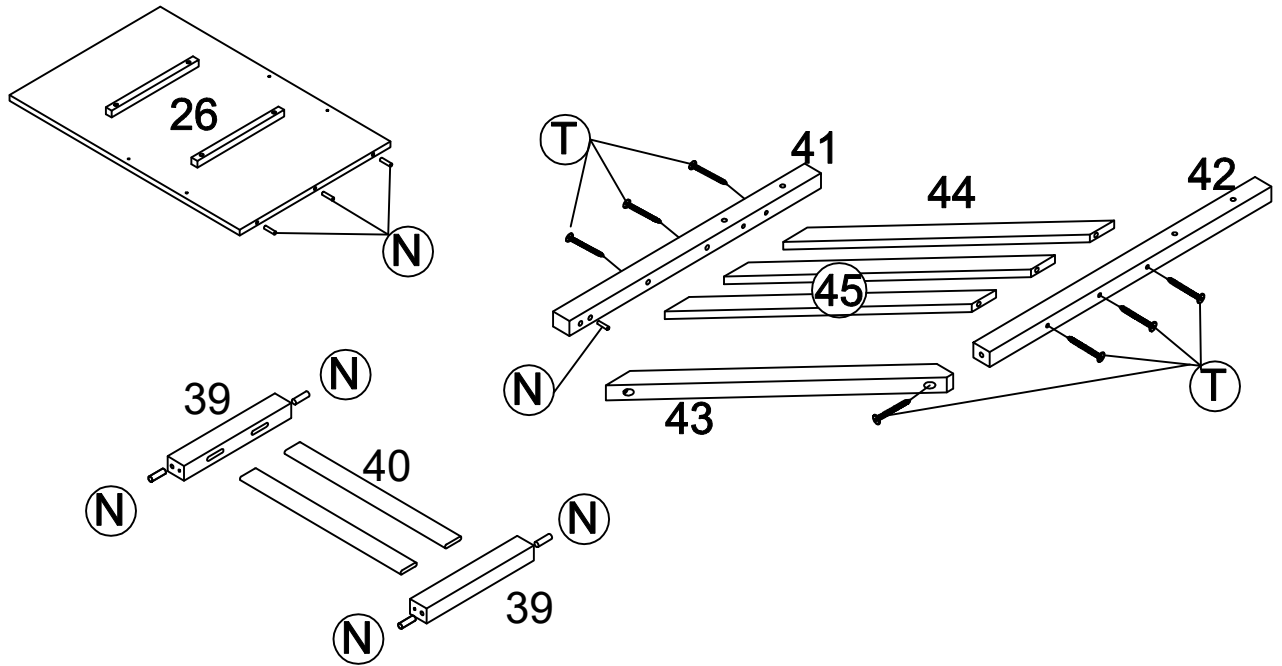


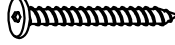
STEP 12



ASSEMBLY INSTRUCTIONS

STEP 13

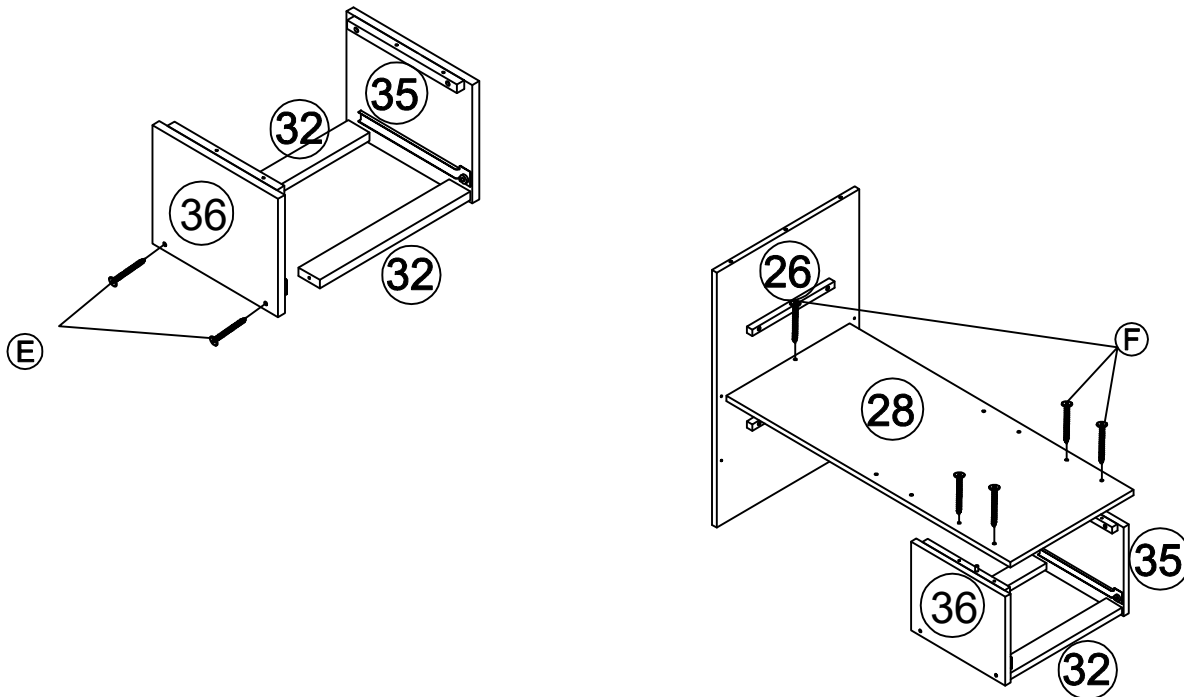


T	Ø6.5x70 	7 PCS
---	---	-------

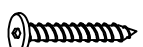
N	Ø8x30 	8 PCS
---	---	-------

R	4x70 	
---	--	--

STEP 14



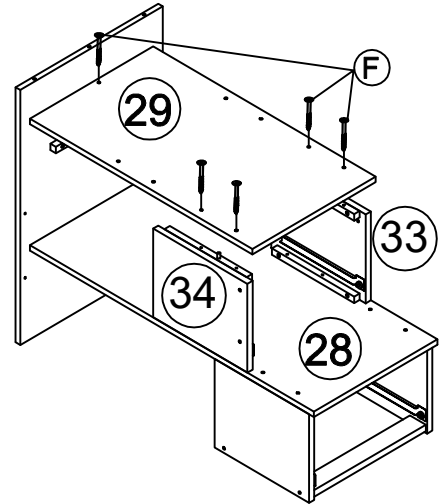
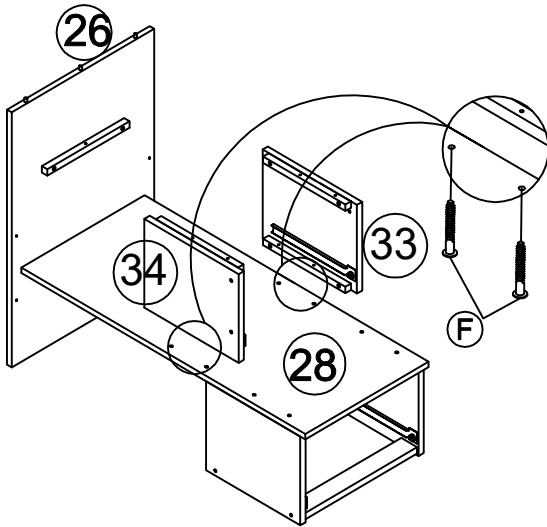
E	Ø6.5x50 	4PCS
---	---	------

F	Ø6.5x30 	5PCS
---	---	------

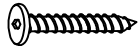
R	4x70 	
---	--	--

ASSEMBLY INSTRUCTIONS

STEP 15



F

Ø6.5x30 

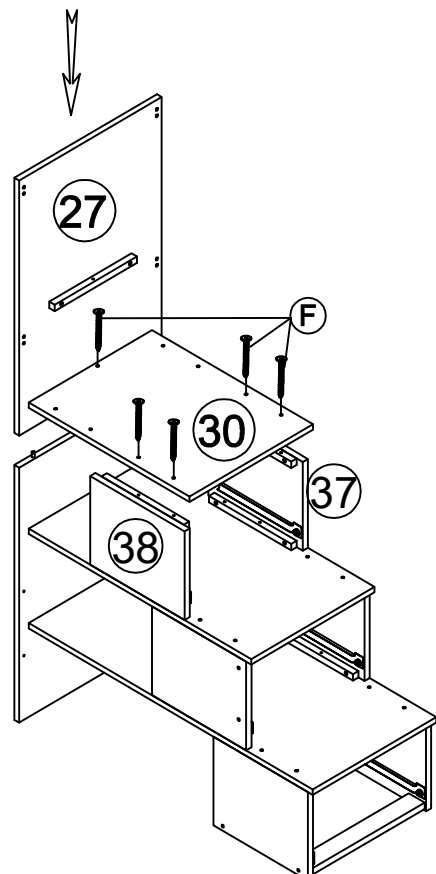
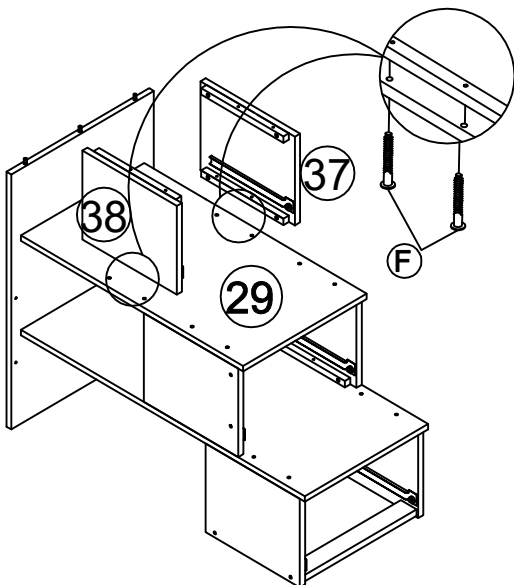
9PCS

R

4x70



STEP 16



F

Ø6.5x30 

9PCS

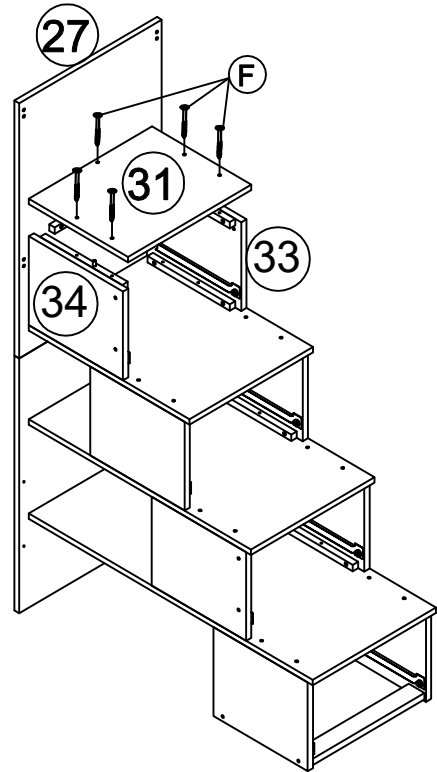
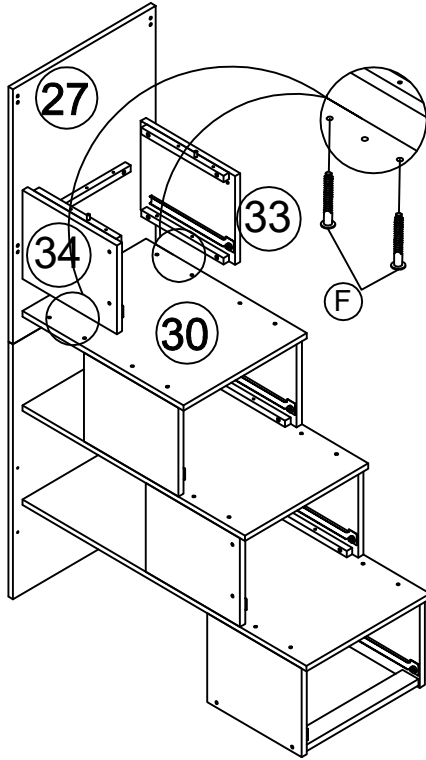
R

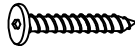
4x70




ASSEMBLY INSTRUCTIONS

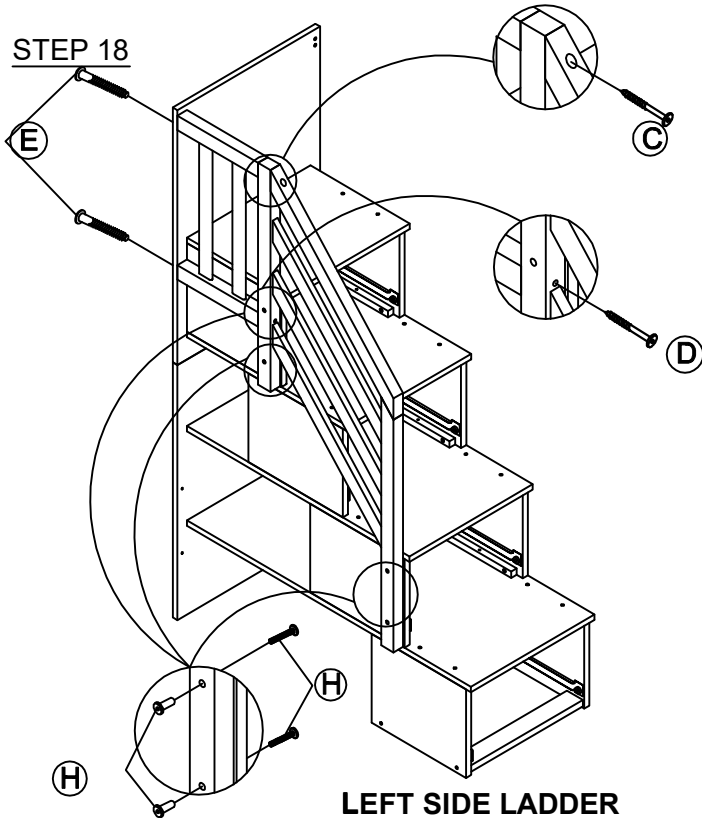
STEP 17



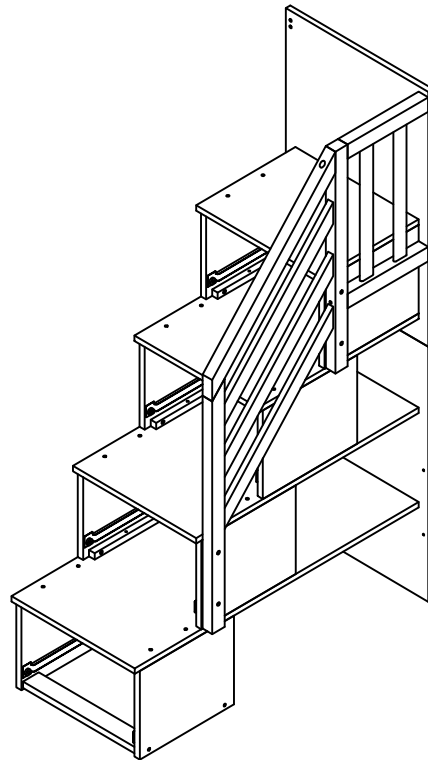
F Ø6.5x30  9PCS

R 4x70 

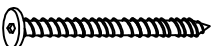
STEP 18

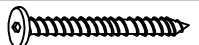


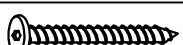
LEFT SIDE LADDER






RIGHT SIDE LADDER

C Ø6.5x110  1 PCS

D Ø6.5x90  1 PCS

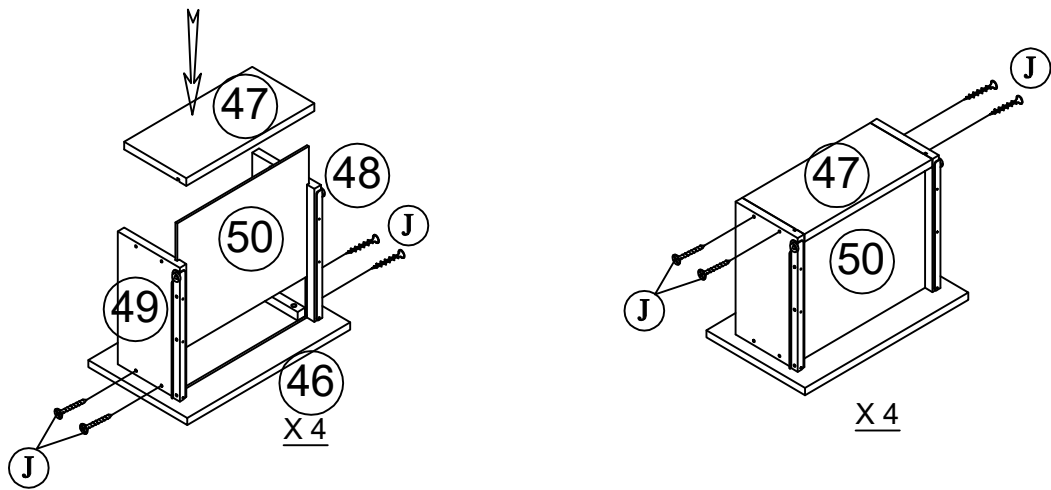
E Ø6.5x50  2 PCS

H 1/4"x45   4 PCS

R 4x70 

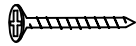
ASSEMBLY INSTRUCTIONS

STEP 19



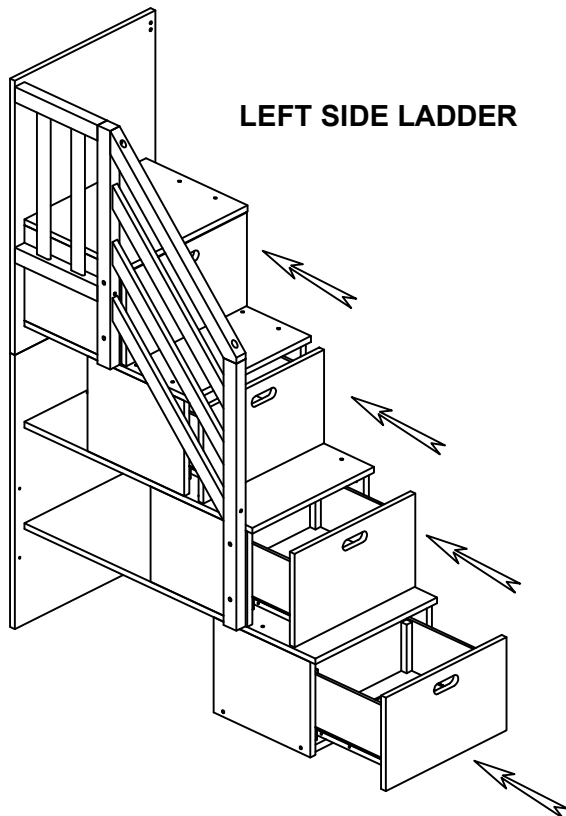
J

M4x30

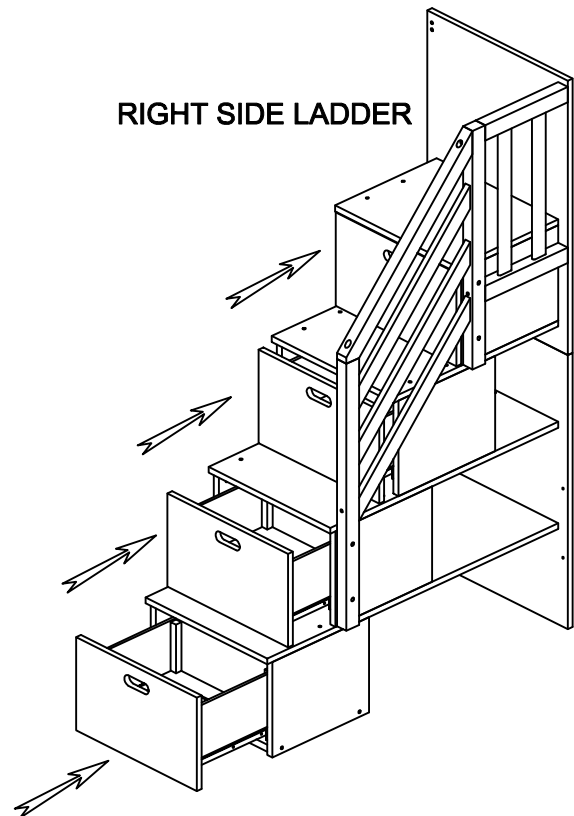


32PCS

STEP 20



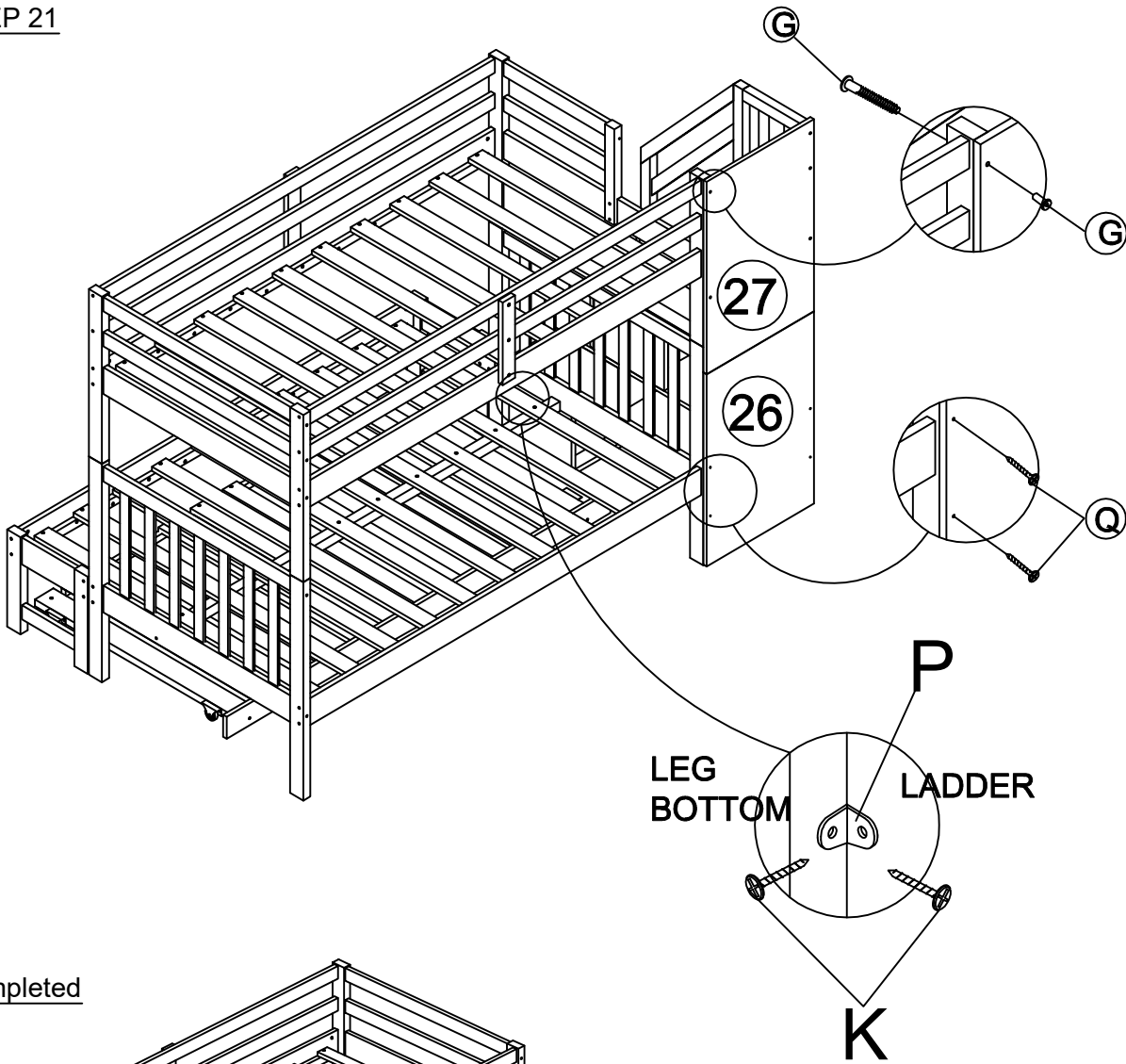
LEFT SIDE LADDER



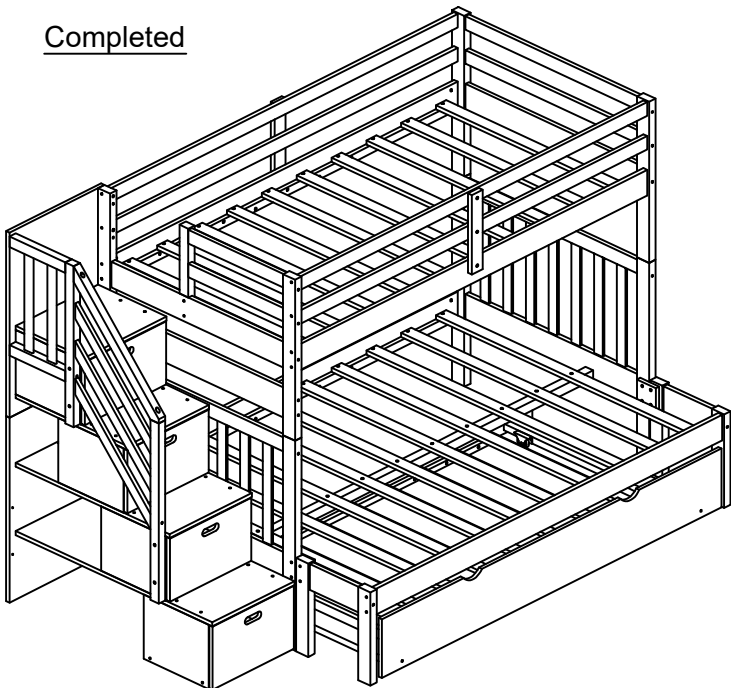
RIGHT SIDE LADDER



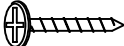

ASSEMBLY INSTRUCTIONS

STEP 21



Completed



				P		1PC
G	1/4"x75		1 PC	K	M4x20 	2 PCS
Q	M4x40		2PCS	R	4x70 