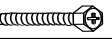

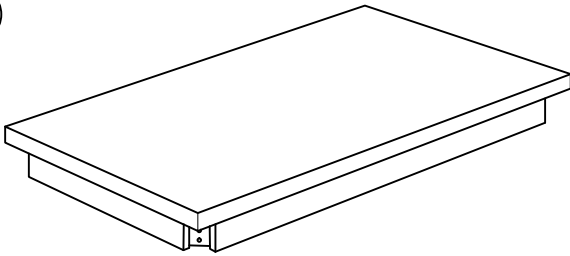


Read these instructions carefully. Consult the hardware and furniture parts list for advice. Make sure that all parts are complete before assembly. Place all wooden furniture pieces on a soft, clean, flat to avoid scratches. Refer to the steps provided as an assembly guide.

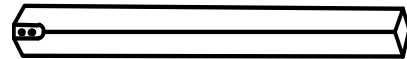
| LISTE DES PIÈCES |                      |       |
|------------------|----------------------|-------|
| Item             | DESCRIPTION          | QTY   |
| A                | Table top with apron | 1 PC  |
| B                | Table leg            | 4 PCS |

| HARDWARE LIST |  |       |
|---------------|--|-------|
| ITEM          | DESCRIPTION  | QTY   |
| 1             | Hexagonal Screw 5/16" X 2 1/2"  | 8 PCS |
| 2             | Spring Washer 5/16"             | 8 PCS |
| 3             | Flat Washer 5/16"               | 8 PCS |
| 4             | Key 12,8 mm                     | 1 PC  |

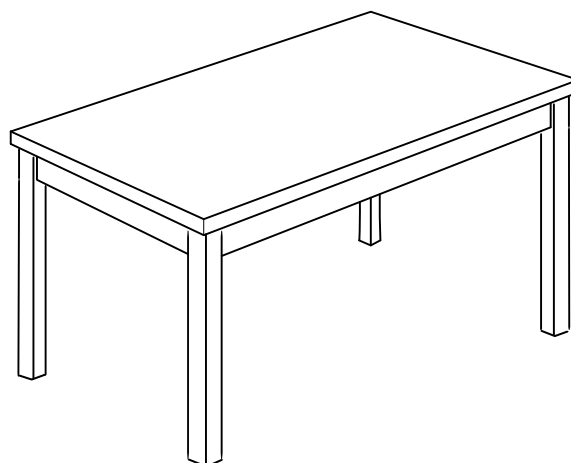
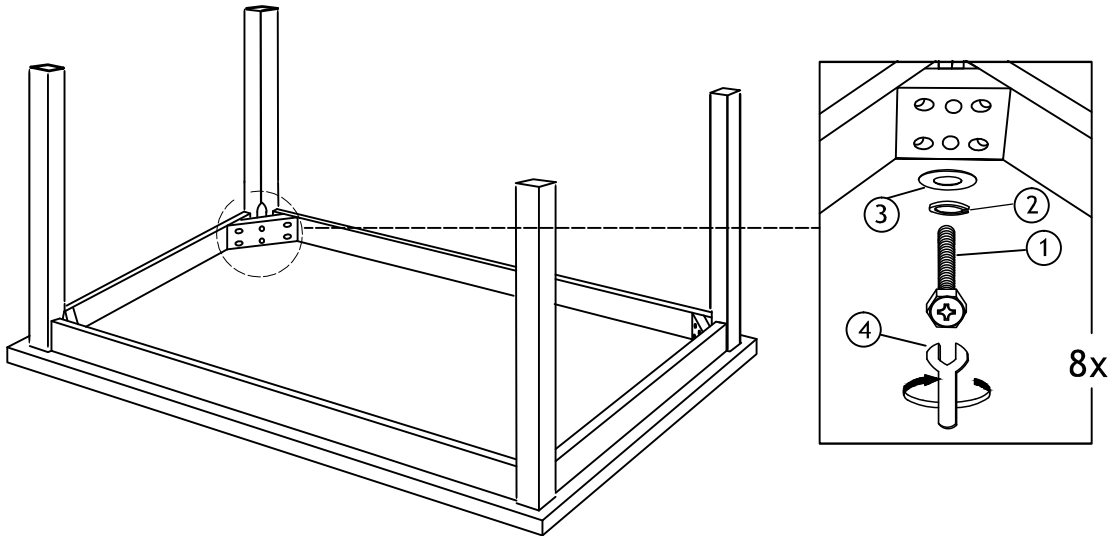
A



B



STEP 1



ASSEMBLY COMPLETED