



**WARNING**

FOR YOUR SAFETY  
PLEASE DO NOT DUNK  
OR HANG ON THE HOOP

# INSTRUCTION MANUAL

---

## Basketball Hoop

## ⓘ NOTICE

- When installing a single screw, avoid tightening it too much; tighten each screw individually after all screws are installed.
- Firmly secure all screws before use.
- If any parts are missing, broken, damaged or worn, stop using this item until repairs are made or factory replacement parts are installed.
- Do not use this item in a way inconsistent with the manufacturer's instructions.

## ⚠ SAFETY INSTRUCTIONS

1. Due to the uncertainty of the weather (sudden gusts of wind, etc.), for extra safety, please put a couple of sandbags on the base (it is recommended that you do this, even if the base has already been filled with water or sand.) That will keep the basket steadier and safe.
2. Do not place hard things on the base (such as sharp stones, irregular bricks, etc.)
3. Do not step on the base, otherwise it will be damaged.
4. Do not use system during windy or severe weather. The system may tip over. Place system in an area protected from the wind or in an area away from property.
5. Please ensure to check the overall weight of the base (If the base is not sufficiently heavy, the basketball hoop may topple over) and verify the tightness of the screws prior to use to prevent any damage to the product or harm to the users.
6. More than two adults are recommended for installation, and children are prohibited from installing.
7. Please check the base for any leaks before using it, as even a small amount of water leakage can lead to the product tipping over.
8. The product is designed for leisure and entertainment purposes, not for intense competition. It is strictly prohibited to engage in aggressive dunking and hanging on the product.
9. After the installation is complete, it is necessary to immediately fill the base with water or sand to ensure stability and prevent it from toppling over. Additionally, it is crucial to place the base on a level and flat surface before use to prevent tipping or damage caused by sharp objects.

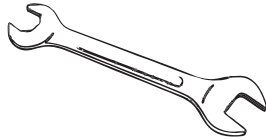
## ⚠ WARNING

1. Climbing or hanging on the hoop, backboard bracket, and net is strictly prohibited.
2. Using products with potential safety hazards is prohibited. If any parts require repair or replacement, please promptly contact the after-sales service.
3. To exercise caution when moving on uneven ground, as it may damage the product's side material. Please be cautious.
4. To prevent damage to the base caused by freezing temperatures below 0 degrees Celsius, the water in the base must be drained or replaced with sand.
5. If the product is used outdoors for an extended period, please ensure that the top of the main pole and the lifting pole are covered with plastic caps to protect against rainwater, which could affect the product's lifespan.
6. It is advised not to wear watches, necklaces, earrings, or other jewelry while using the product to avoid entanglement or loss during exercise.
7. When adjusting the height, keep your fingers away from the moving parts.
8. Children are prohibited from moving the product or adjusting its height.

# TOOL REQUIRED



#13-14 Wrench\*2  
(PROVIDED)



#17-19 Wrench\*2  
(PROVIDED)



ADULT ASSEMBLY  
REQUIRED



2PERSON  
ASSEMBLY

# HARDWARE

**A**

Long hex bolt set  
1 set

**B**

Long hex bolt set  
2 sets

**C**

Long hex bolt set  
2 sets

**D**

Short hex bolt set  
1 set

**E**

Short hex bolt set  
4 sets

**F**

Spring damper  
2 sets

**G**

Short hex bolt set  
2 sets

**H**

Short hex bolt set  
1 set

**I**

Short hex bolt set  
2 sets

**J**

Small hex bolt set  
2 sets

**K**

Small hex bolt set  
2 sets

**L**

Long hex bolt  
1 pc

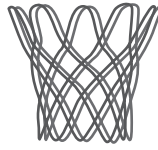
# PARTS

**M**



Spring hook  
2 pcs

**N**



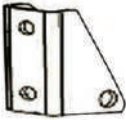
Net  
2 pcs

**O**



Wheel  
2 pcs

**P**



Triangular block  
1 pc

**Q**



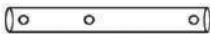
Telescopic rod  
1 pc

**R**



Handle  
1 pc

**S**



Upper extension arms  
2 pcs

**T**



Lower extension arms  
2 pcs

**U**



Lower brace  
2 pcs

**V**



Axle  
1 pc

**W**



Top pole  
1 pc

**X**



Middle pole  
1 pc

**Y**



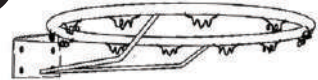
Lower pole  
1 pc

**Z**



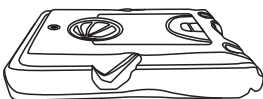
Bracket  
1 pc

**AA**



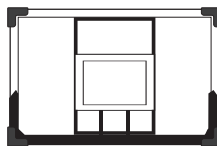
Rim  
1 pc

**BB**



Base  
1 pc

**CC**

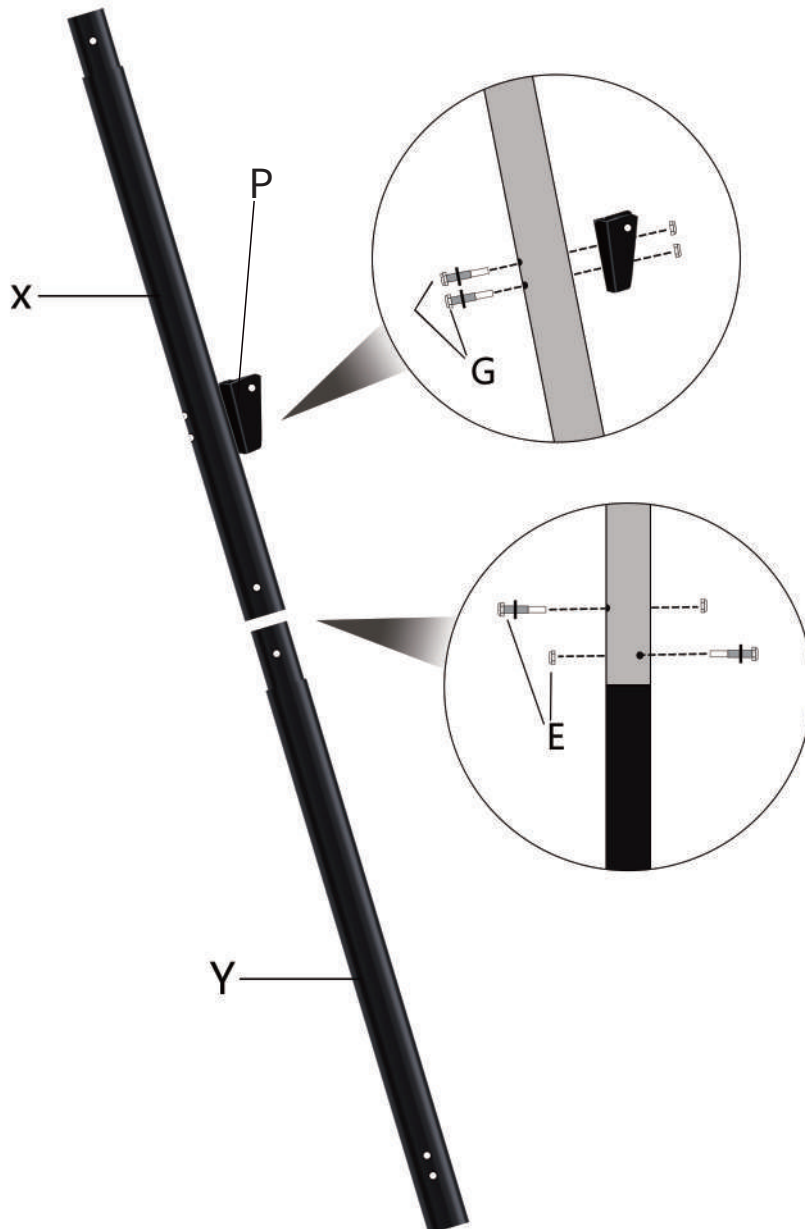


Backboard  
1 pc

# PRODUCT ASSEMBLY

## STEP 1

Attach the top pole (X) to the middle pole (Y) with 4 sets short hex bolt (E).  
Install the triangular block (P) on the middle pole (X) with 2 sets short hex bolt (G).  
Please pay attention to the correct direction of holes.



If there is a burr or deformation at the joint of the pole, firmly strike the lower of the pole three to four times on a piece of wood or cardboard.

## STEP 2

Insert the axle (V) into the base (BB), wheel (O), and lower pole (Y).

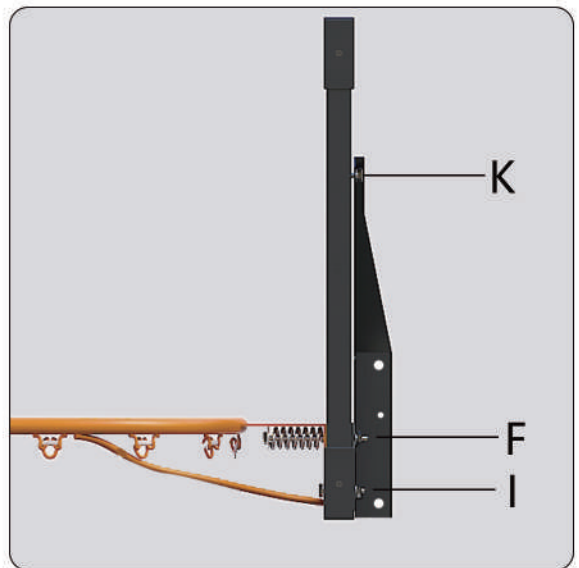
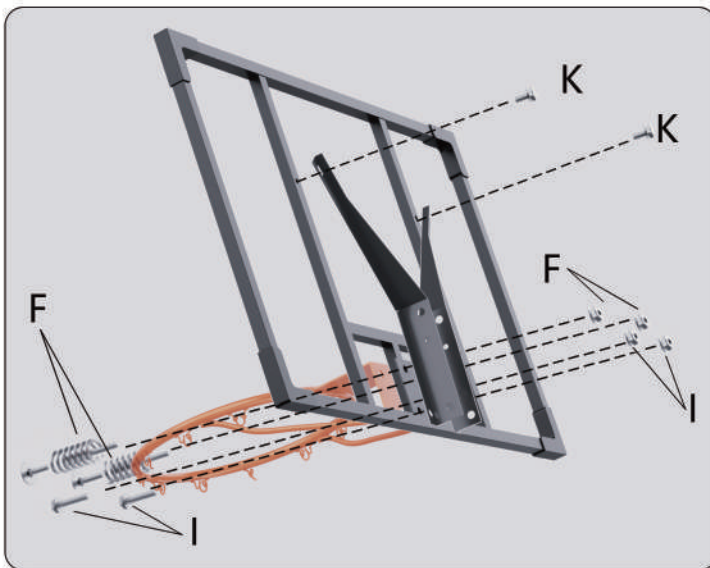
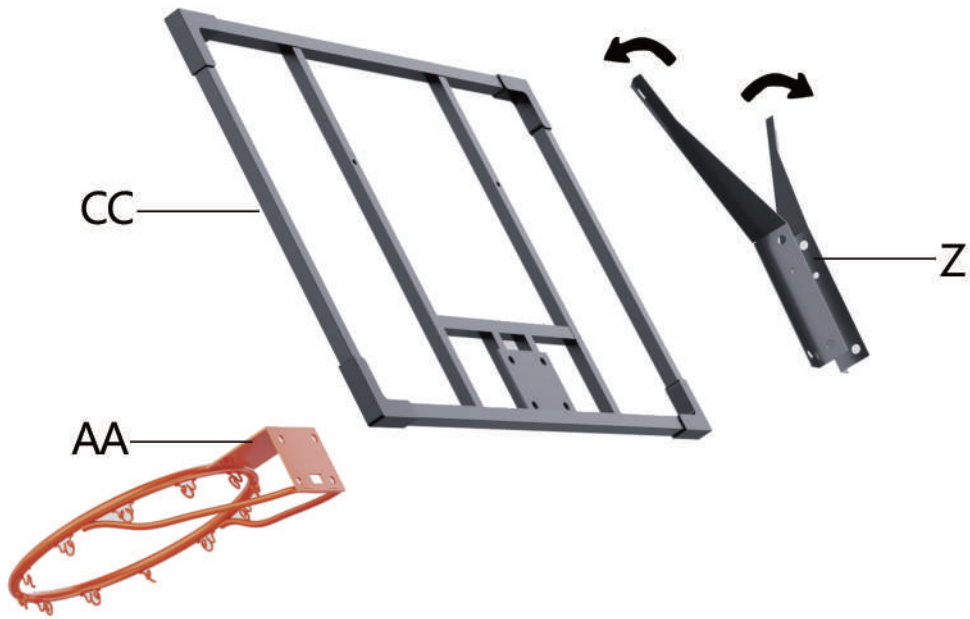
Please ensure that the triangular block (P) faces the back after installation.

Fix the pole brace (U1, U2) to the lower pole (Y) and base (BB) by using bolts (D1, D2, D3) and bolts (J1, J2, J3). Please pay attention to the upper and lower directions of the pole brace.



### STEP 3

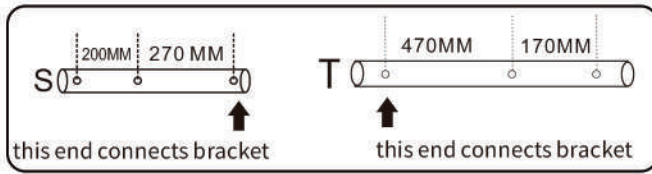
Attach the rim (AA), backboard (CC) and bracket (Z) with spring damper (F) and short hex bolt (I). Please note the 2 pcs small springs are fixed in front of the rim (AA).



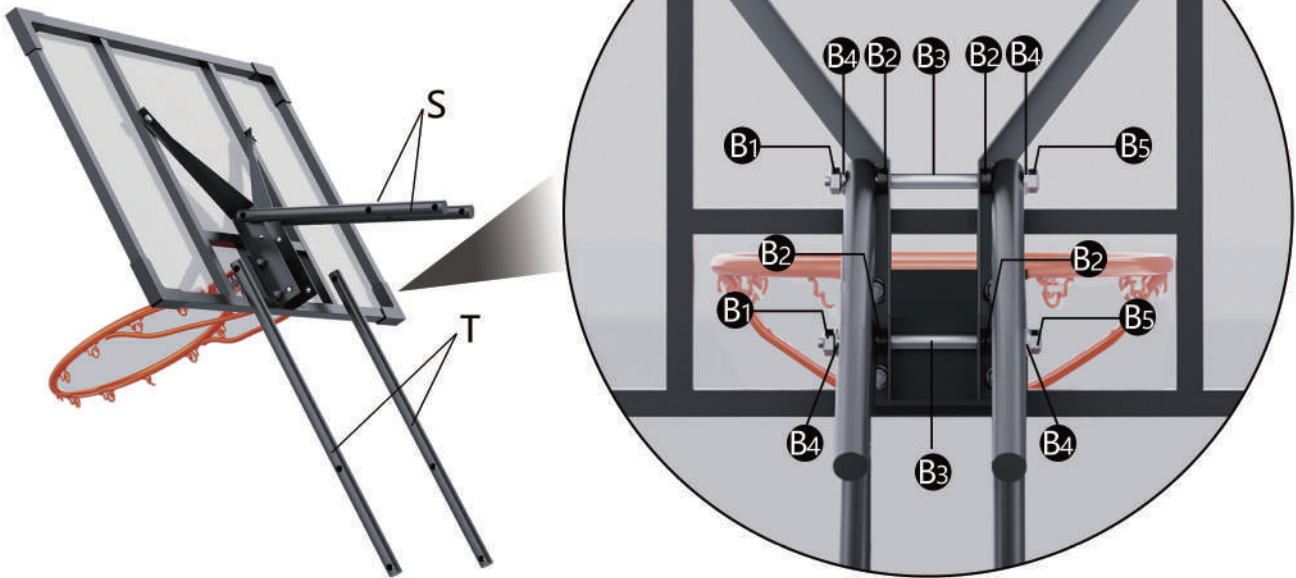
Fix the top end of bracket (Z) behind the backboard (CC) with small hex bolt (K).When installing the bracket, please follow the arrow direction and use your hands transform it into a "Y"-shaped model.

## STEP 4

Connect the upper extension arms (S) and lower extension arms (T) on bracket (Z) with long hex bolt (B). Please ensure that sleeve (B3) is installed inside the bracket (Z).



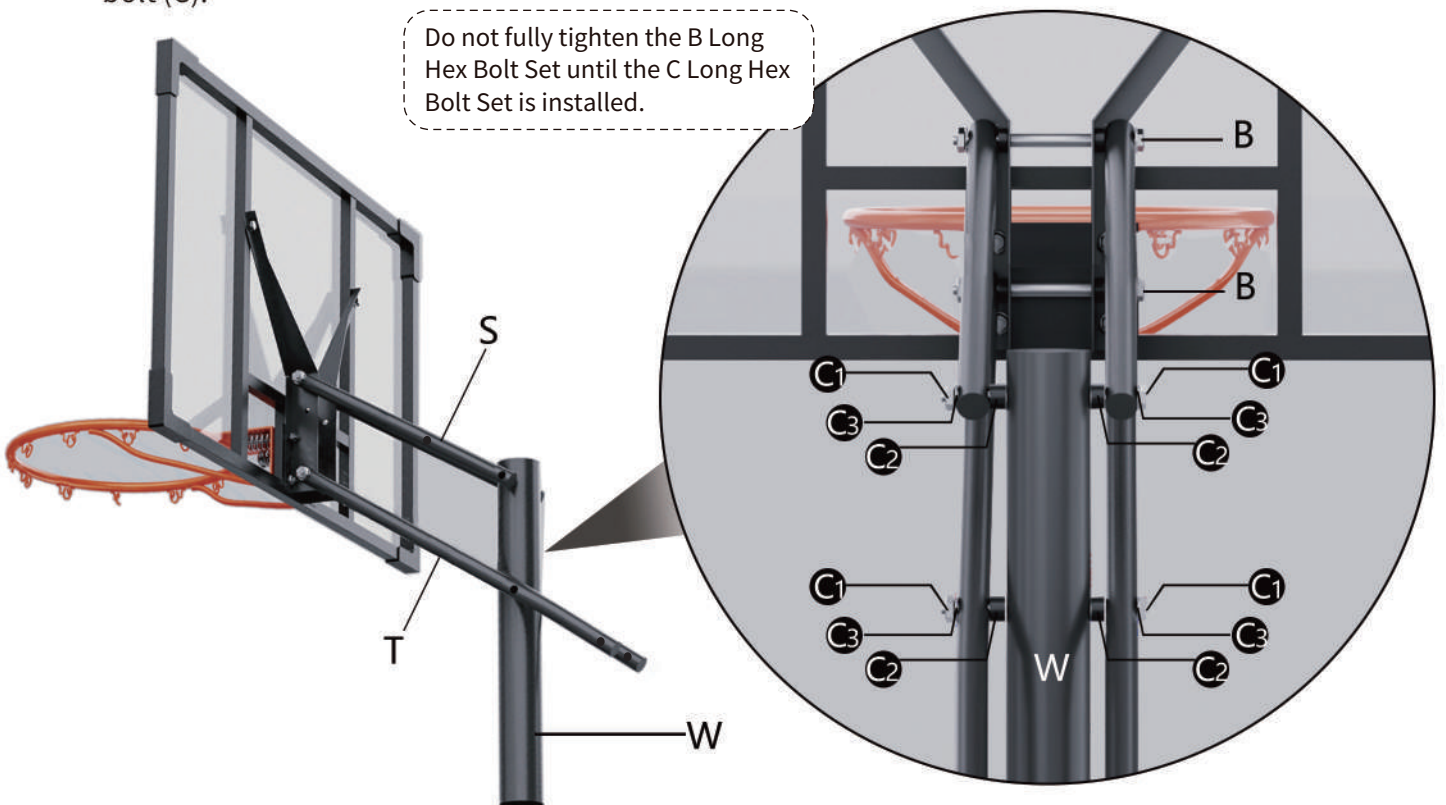
Do not fully tighten the B Long Hex Bolt Set until the C Long Hex Bolt Set is installed.



## STEP 5

Install upper extension arms (S) and lower extension arms (T) on the top pole (W) with long hex bolt (C).

Do not fully tighten the B Long Hex Bolt Set until the C Long Hex Bolt Set is installed.



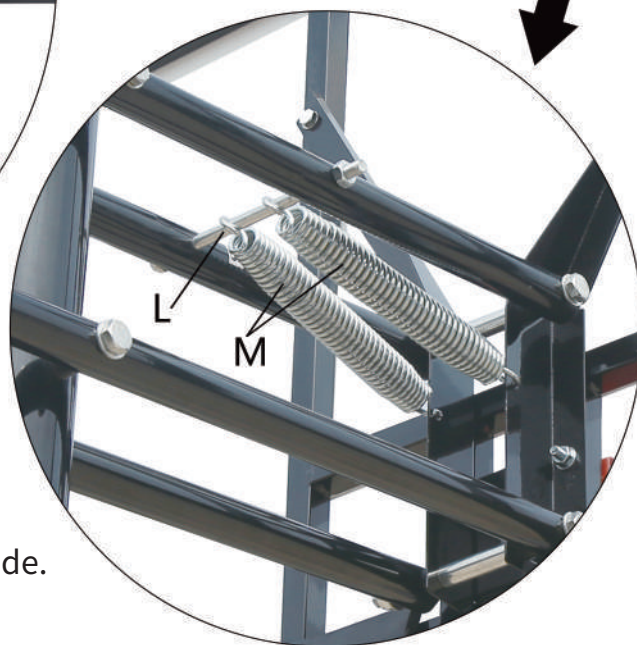
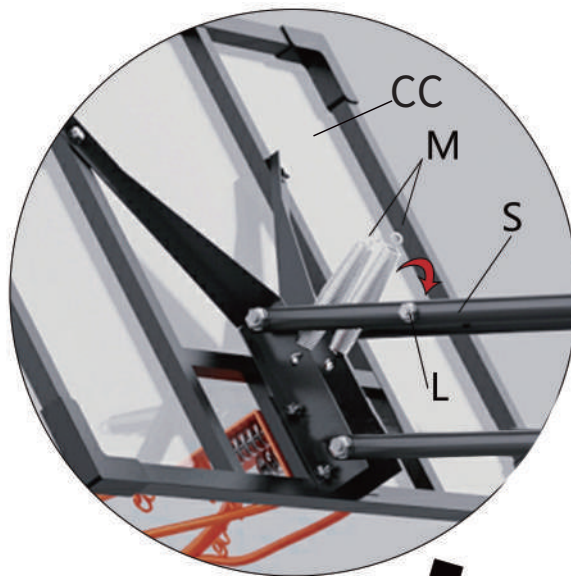
## STEP 6

Attach the long hex bolt (L) to the two shorter backboard braces (S) to facilitate the subsequent installation of the large springs (M).

Secure one end of the large springs (M) onto the hole of the backboard bracket (CC), and then suspend the other end of the large springs (M) onto the long hex bolt (L).

Please attention:

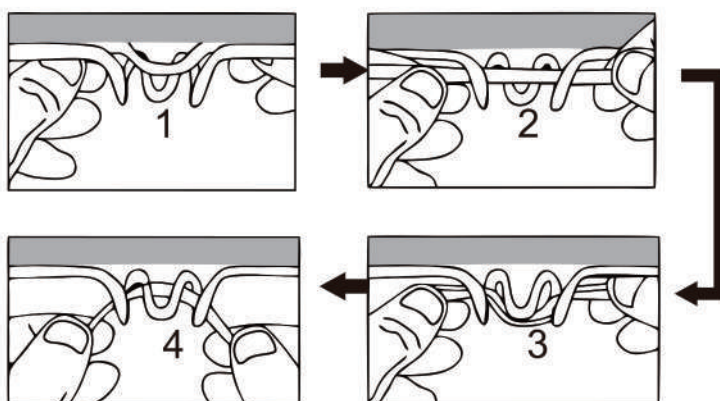
The hook on one end of the spring (M) should be attached into the second smaller hole of the bracket (Z).



Hook the spring hook from outside to inside.

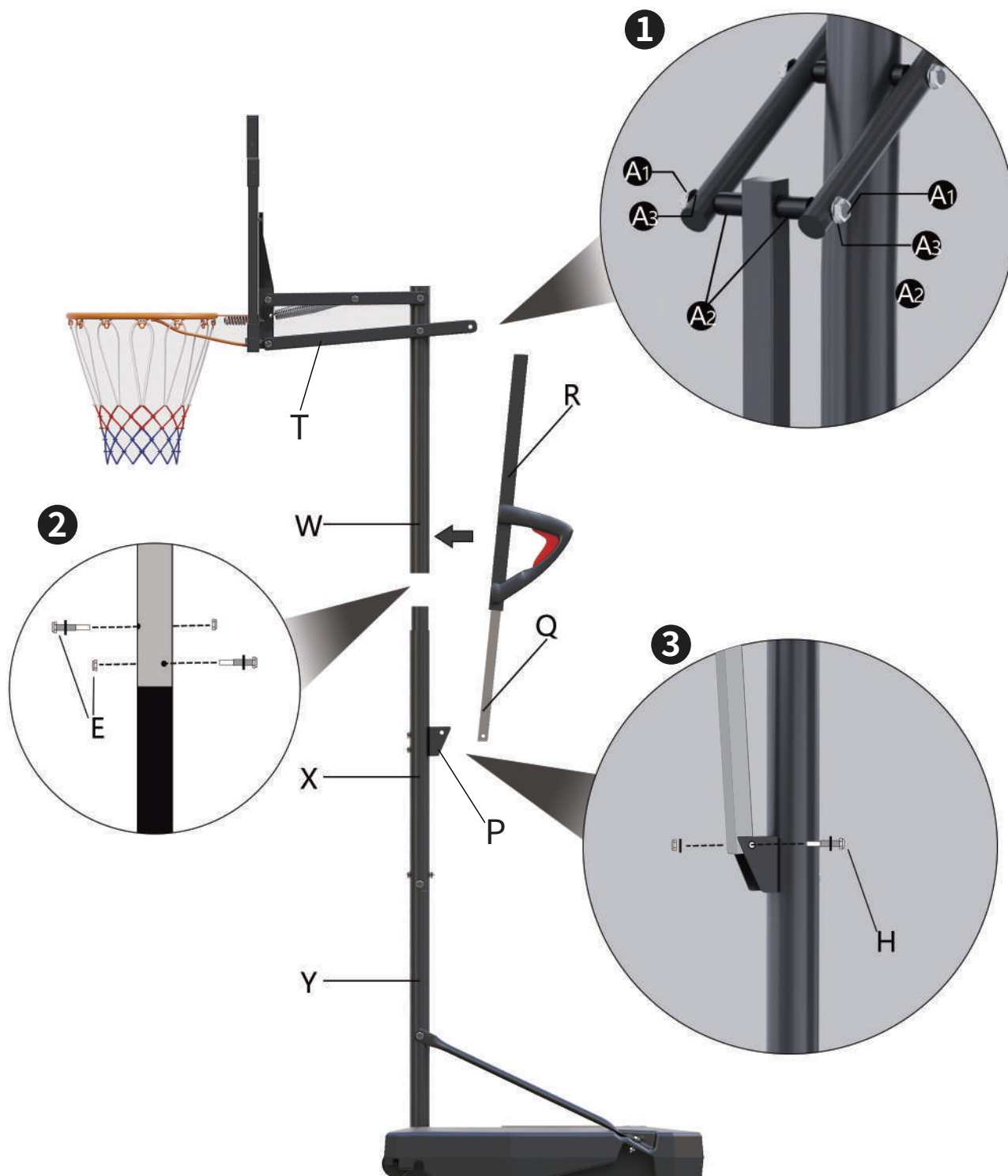
## STEP 7

Install the net (N) on rim (AA).



## STEP 8

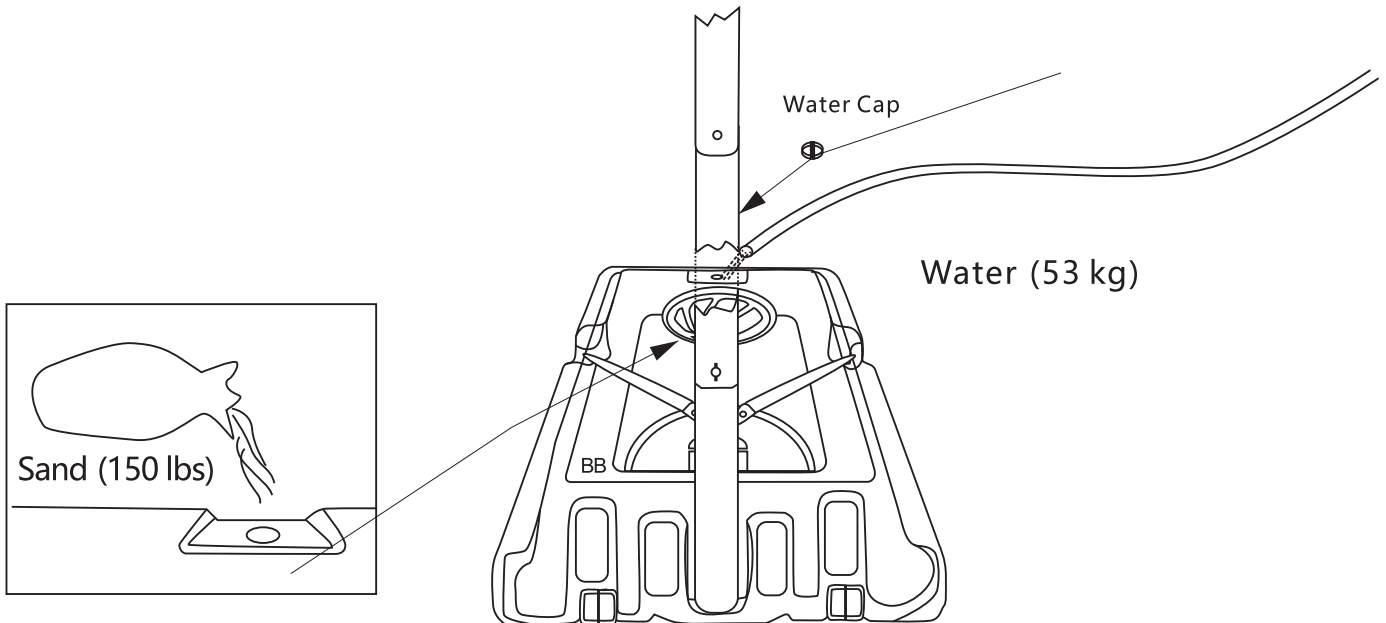
Securely fasten the top of the handle (R) to the lower arms (T) with long hex bolt (A). Please ensure that sleeves (A2) are positioned between the lower arms (T) and handle (R). Attach the end of telescopic rod (Q) to triangular block (P) by short hex bolt (H).



## STEP 9

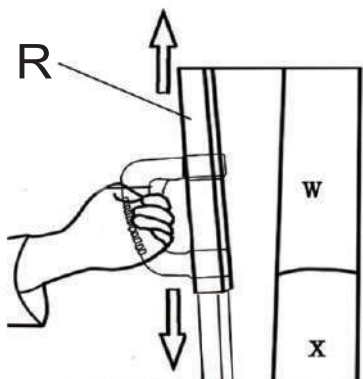
Fill the base with sand or water.

If the product is not intended to be frequently moved, it is recommended to use sand instead of water to fill the base. Water can be frozen below 0°C, which may cause damage to the base. However, please be aware that once sand is placed in the base, it can not be poured out.



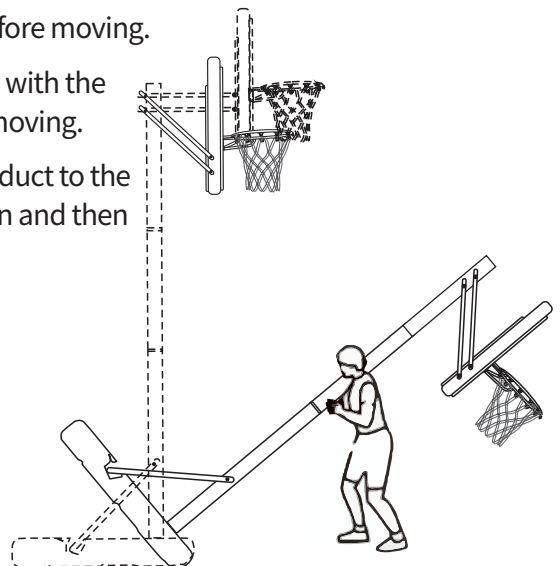
### Height Adjustment

Pinch the lifting handle bar to raise or lower the rim.



### Product Moving

1. Adjust the product in lowest level before moving.
2. Avoid friction with the ground while moving.
3. Move the product to the desired location and then raise it slowly.



# MAINTENANCE INSTRUCTIONS

The life of your basketball system depends on many variables. The climate, exposure to corrosives such as salt, pesticides, or herbicides, and excessive use or misuse can all contribute to pole failure, which may cause property damage or personal injury.

Check your basketball system frequently for loose hardware, excessive wear, and signs of corrosion. For safety reasons, and to prolong the life of your basketball system, you must take the following preventive measures.

A. Check all nuts and bolts. If any are loose, tighten them.

B. Check all parts for excessive wear and tear. If necessary, replace any parts that have been worn or damaged through usage.

Contact our customer service department for replacement parts.

C. Inspect the warning sticker on the pole.

D. Check all pole sections for visible rust or chipped or cracked paint. If either are present, do the following:

1. Use an emery cloth to completely remove any rust or chipped paint.

2. Clean the area with a damp cloth and allow it to dry.

3. Apply two coats of rust-preventative, high-gloss enamel paint to the area. Allow the paint to dry between coats.

If rust has penetrated through the pole anywhere, replace it immediately!

Q1: Is the basketball hoop easy to adjust height?

A1: Yes, there is a telescoping pole for height adjustment, from 8.2ft to 10 ft. Additionally, to set this to the lower heights, please remove the middle pole (X) during assembly, allowing it to be adjusted in the range of 4.9ft - 6.8ft.

Q2: Can you hang on it?

A2: This portable basketball hoop is designed for shooting drills, improving ball skills, and recreational use. You can practice standard shooting drills such as free throws, three-pointers, and more. However, for your safety, please do not dunk or hang on the hoop.

Q3: How much water or sand does the base hold ?

A3: Please fill it with water (53kg) or put 150lbs sand into the base. Note: In the event of a typhoon, please add additional weight to the base or move the basketball hoop indoors.

Q4: Where are my nets?

A4: Two nets are placed inside the tool kit, please look for them carefully. Please contact us to get the free replacement if you have lost the nets.