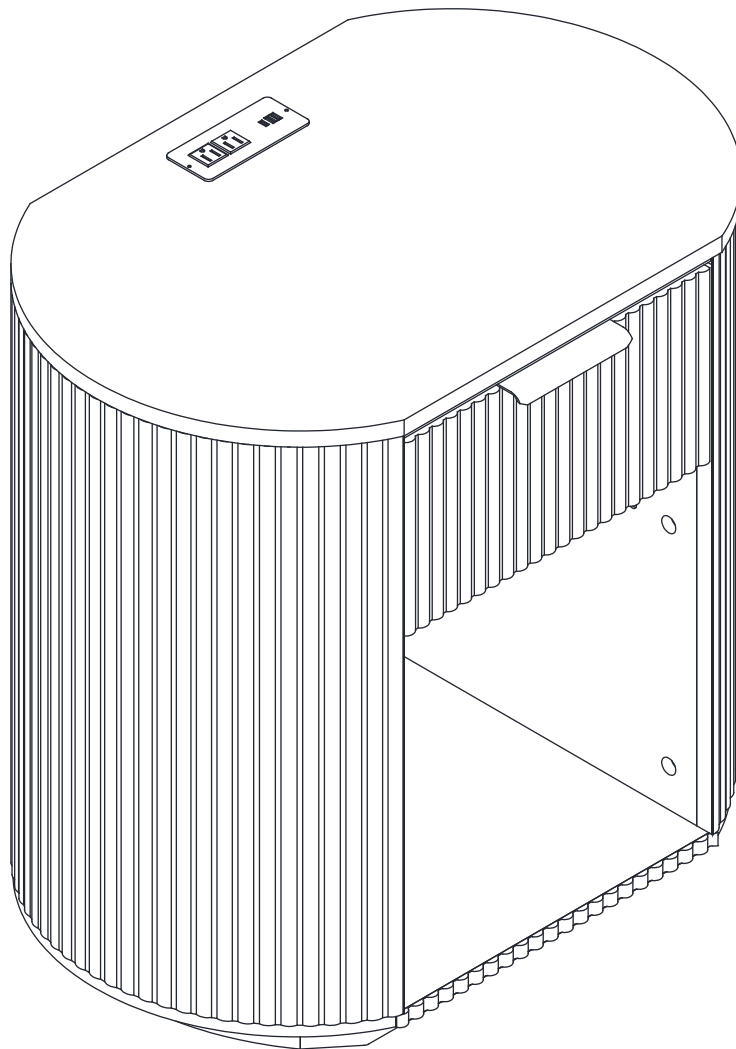


STORAGE CABINET

User Manual



INTRODUCTION

Thank you for choosing the Storage Cabinet. Please read this user manual carefully and keep it for future reference. If you need any assistance, please contact us by email with your order number and details.


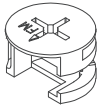

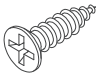
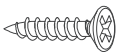
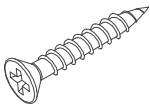
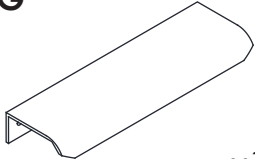
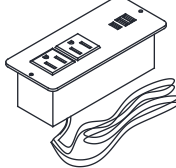
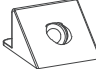


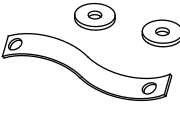



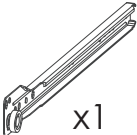
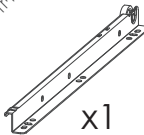
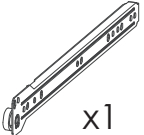
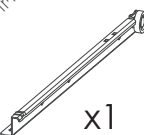
PACKAGE CONTENTS

- Storage Cabinet
- Pack of Accessories
- User Manual

PRODUCT CARE

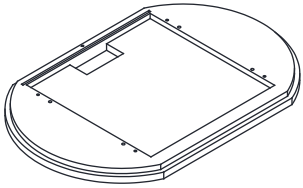
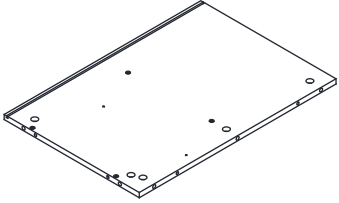
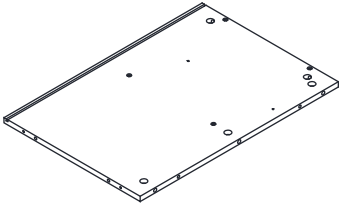
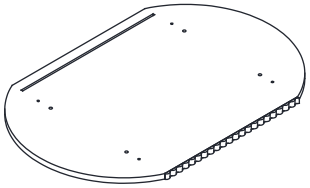
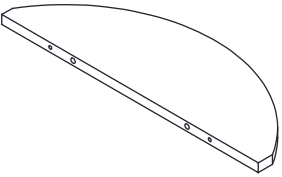
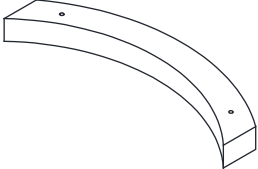
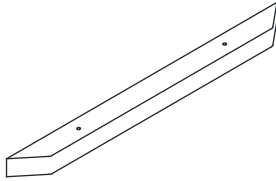
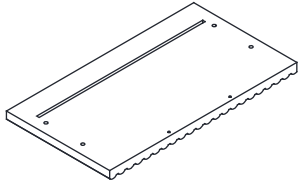
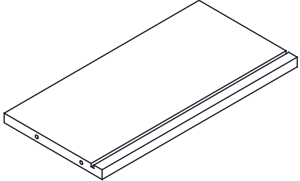
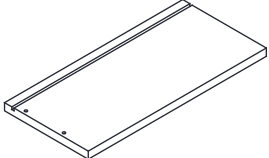
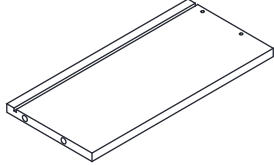
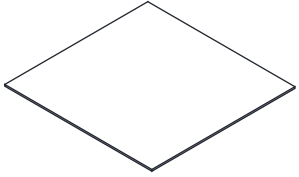
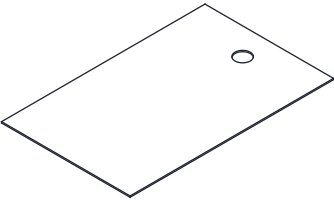
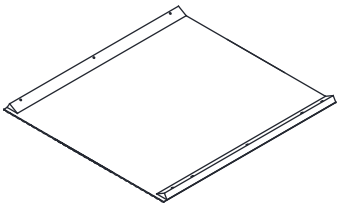
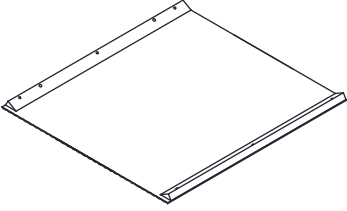
- Please follow the instruction to assemble this item correctly.
- Don't make the screws be too loose or too tight.
- Please put the screws into the holes' position just as shown in the arrows of the image, and then clockwise rotate 90° or 180°
- The fittings pack contains small accessories that should be kept away from small children.

HARDWARE SUPPLIED

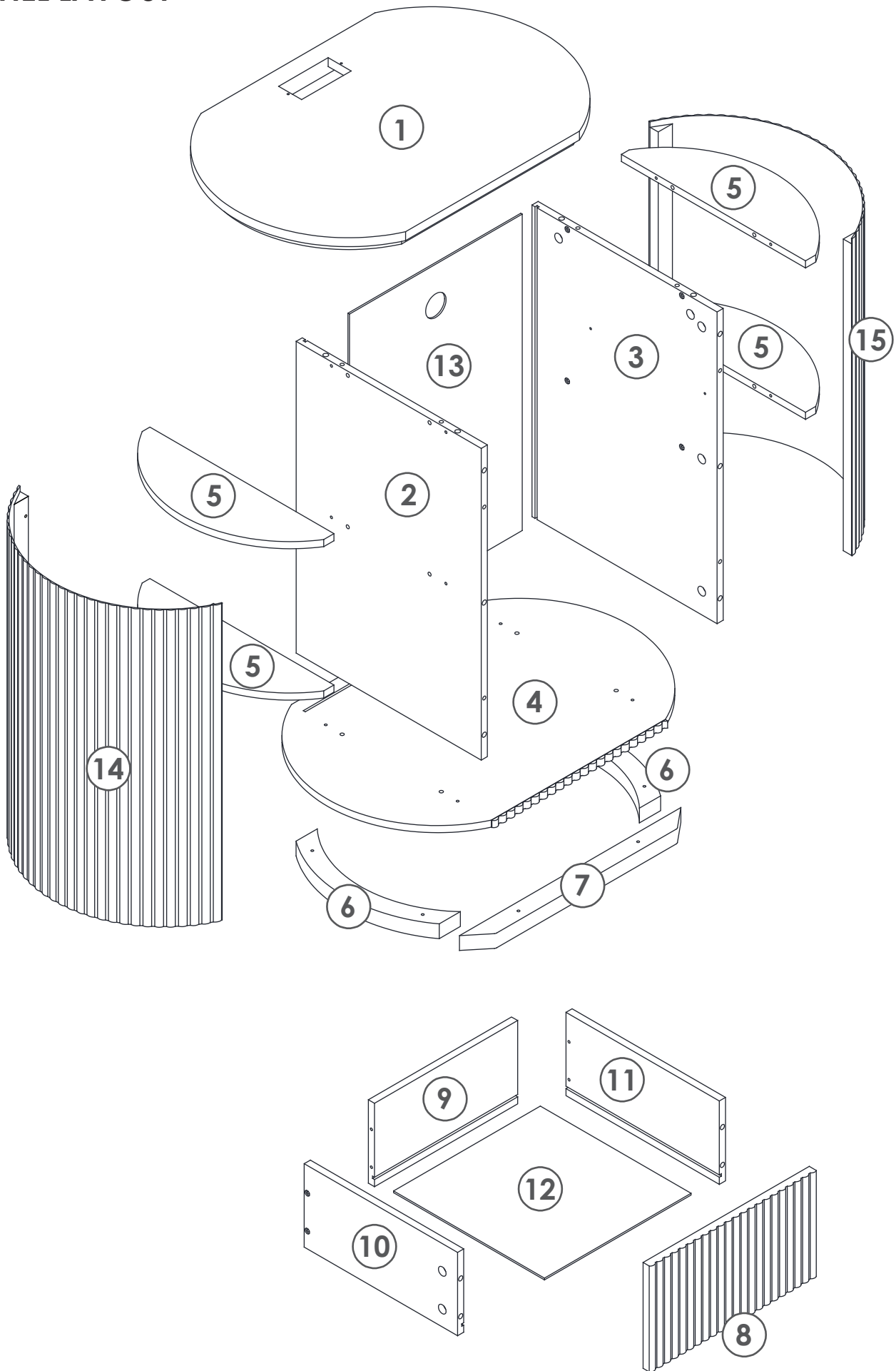
A  x14	B  x14	C  x20	D M3.5*12mm  x12	E M3*14mm  x4
F M4*35mm  x17	G  x1	H  x1	I  x4	J M4*30mm  x6
K  x1	L  x1	M M4*12mm  x1	N  x14	O M4*20mm  x6
P P1(CL)  x1	P1(DL) 12Inch/300mm  x1	P2(CR)  x1	P2(DR) 12Inch/300mm  x1	

PARTS LIST

Unit: (mm)

<p>① 600*400</p>  <p>x1</p>	<p>② 527*362</p>  <p>x1</p>	<p>③ 527*362</p>  <p>x1</p>	<p>④ 590*396</p>  <p>x1</p>
<p>⑤ 360*118</p>  <p>x4</p>	<p>⑥ 280*32</p>  <p>x2</p>	<p>⑦ 433*32</p>  <p>x1</p>	<p>⑧ 325*179</p>  <p>x1</p>
<p>⑨ 280*141</p>  <p>x1</p>	<p>⑩ 300*141</p>  <p>x1</p>	<p>⑪ 300*141</p>  <p>x1</p>	<p>⑫ 287*295</p>  <p>x1</p>
<p>⑬ 338*536</p>  <p>x1</p>	<p>⑭ 537*498</p>  <p>x1</p>	<p>⑮ 537*498</p>  <p>x1</p>	

PANEL LAYOUT

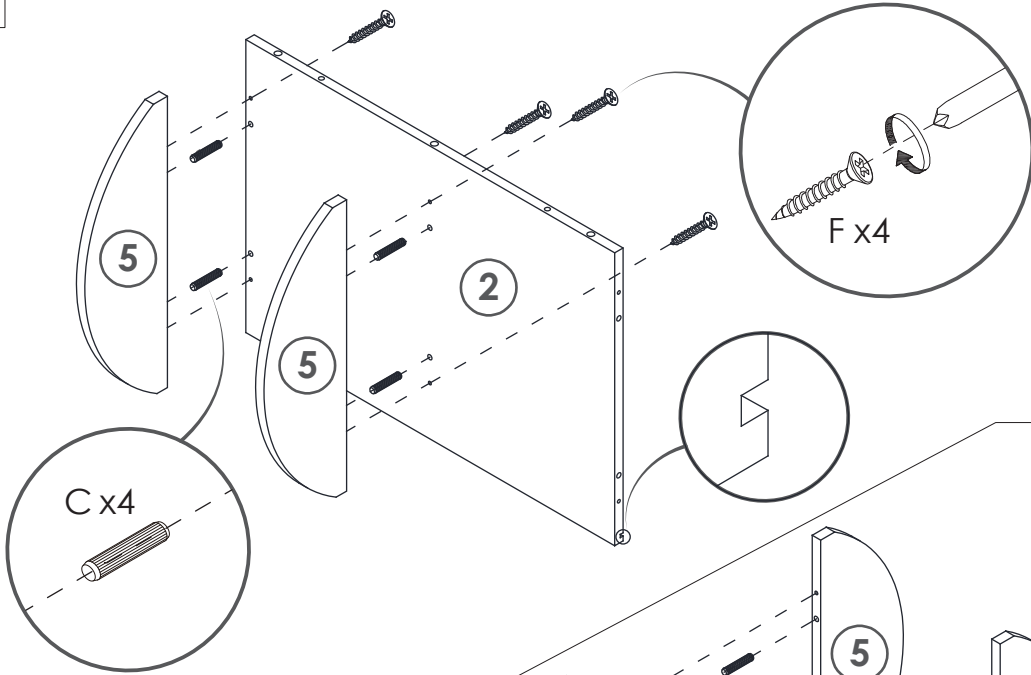


01

YOU WILL NEED

C x4

F x4

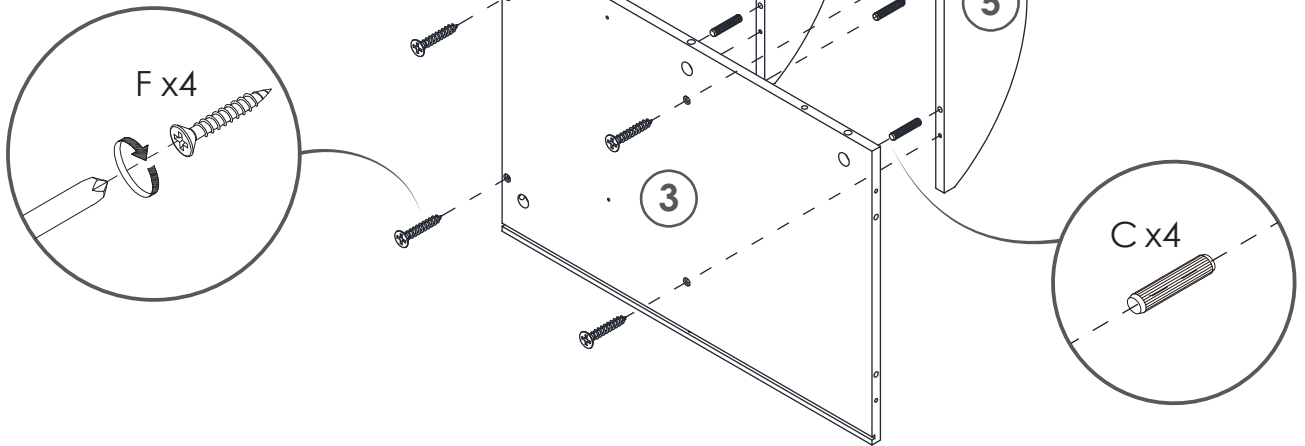


YOU WILL NEED

C x4

F x4

02

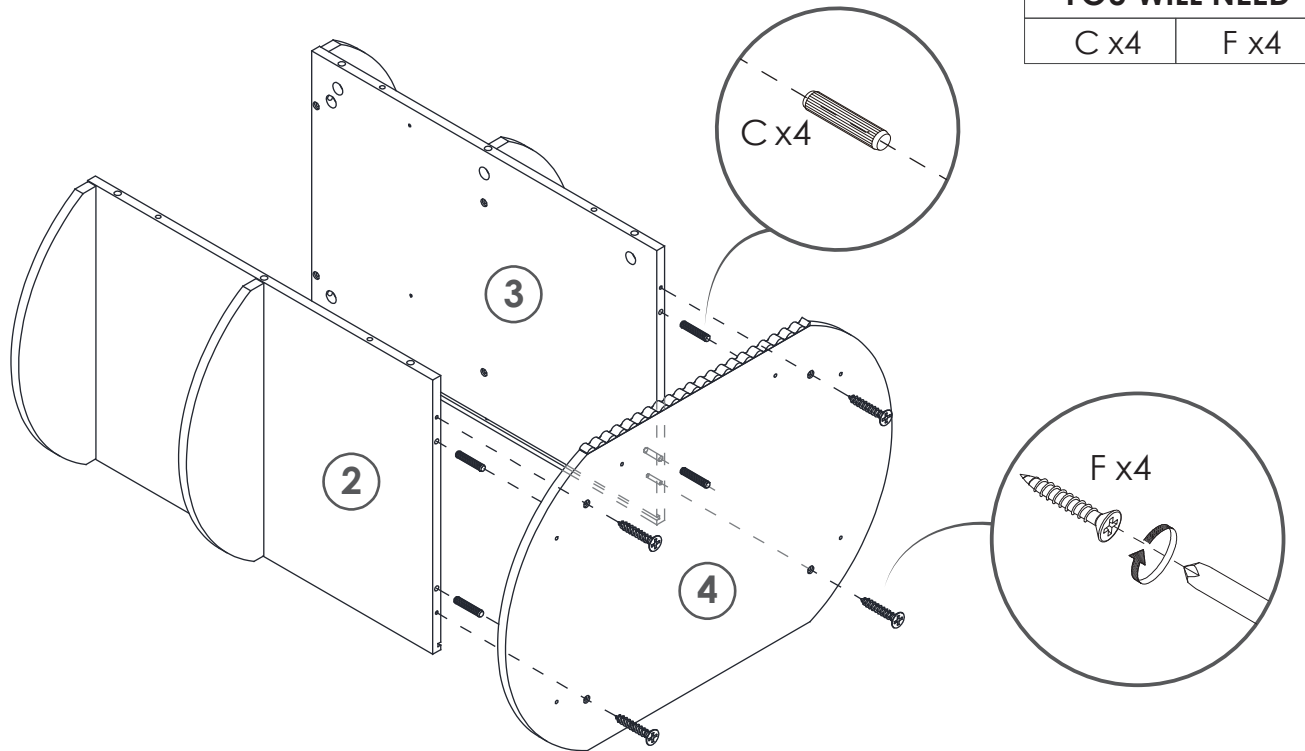


03

YOU WILL NEED

C x4

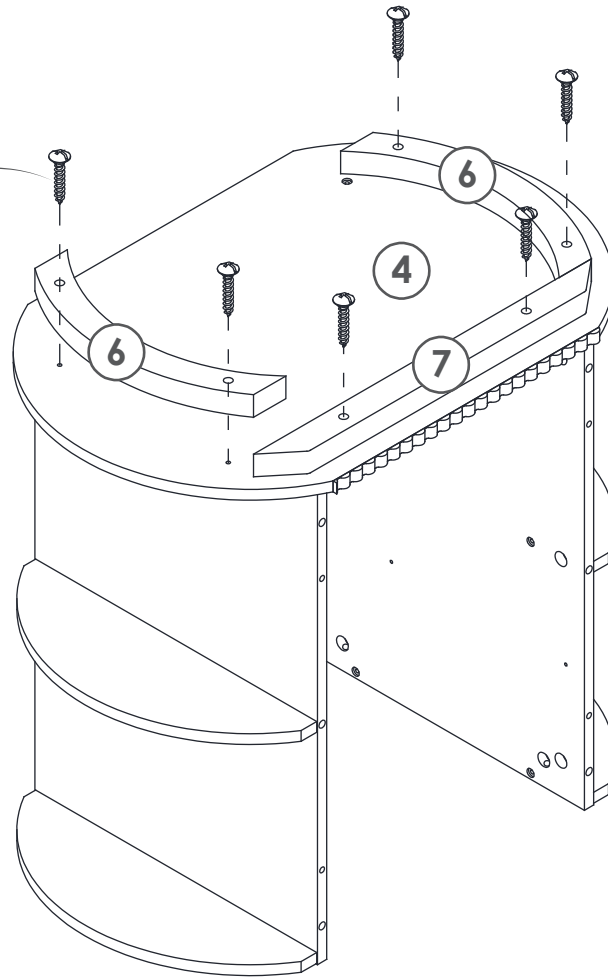
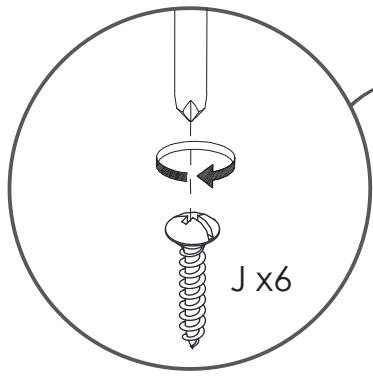
F x4



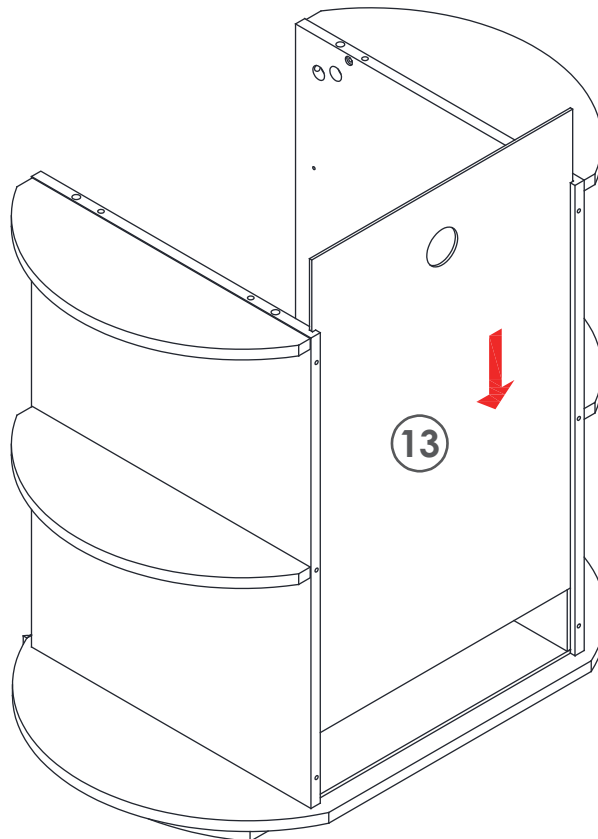
04

YOU WILL NEED

J x6



05



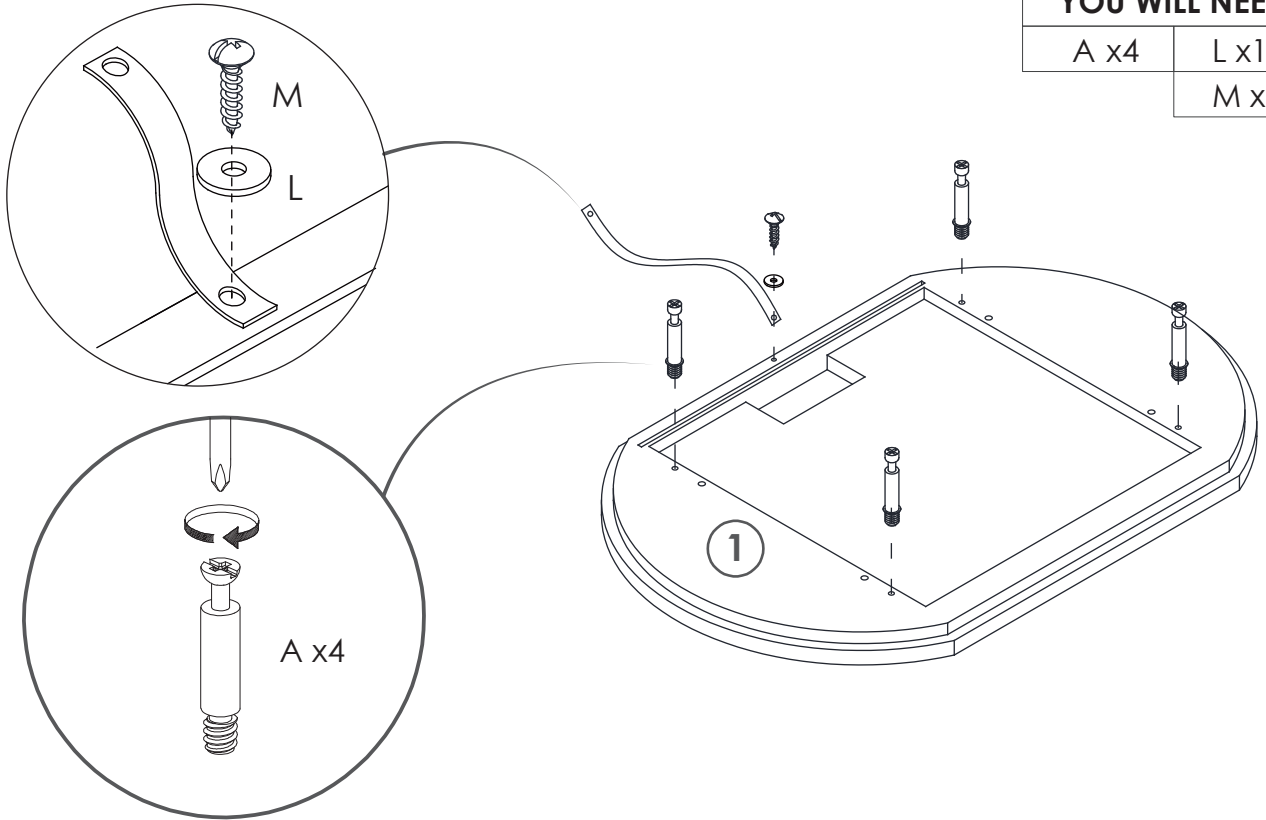
06

YOU WILL NEED

A x4

L x1

M x1

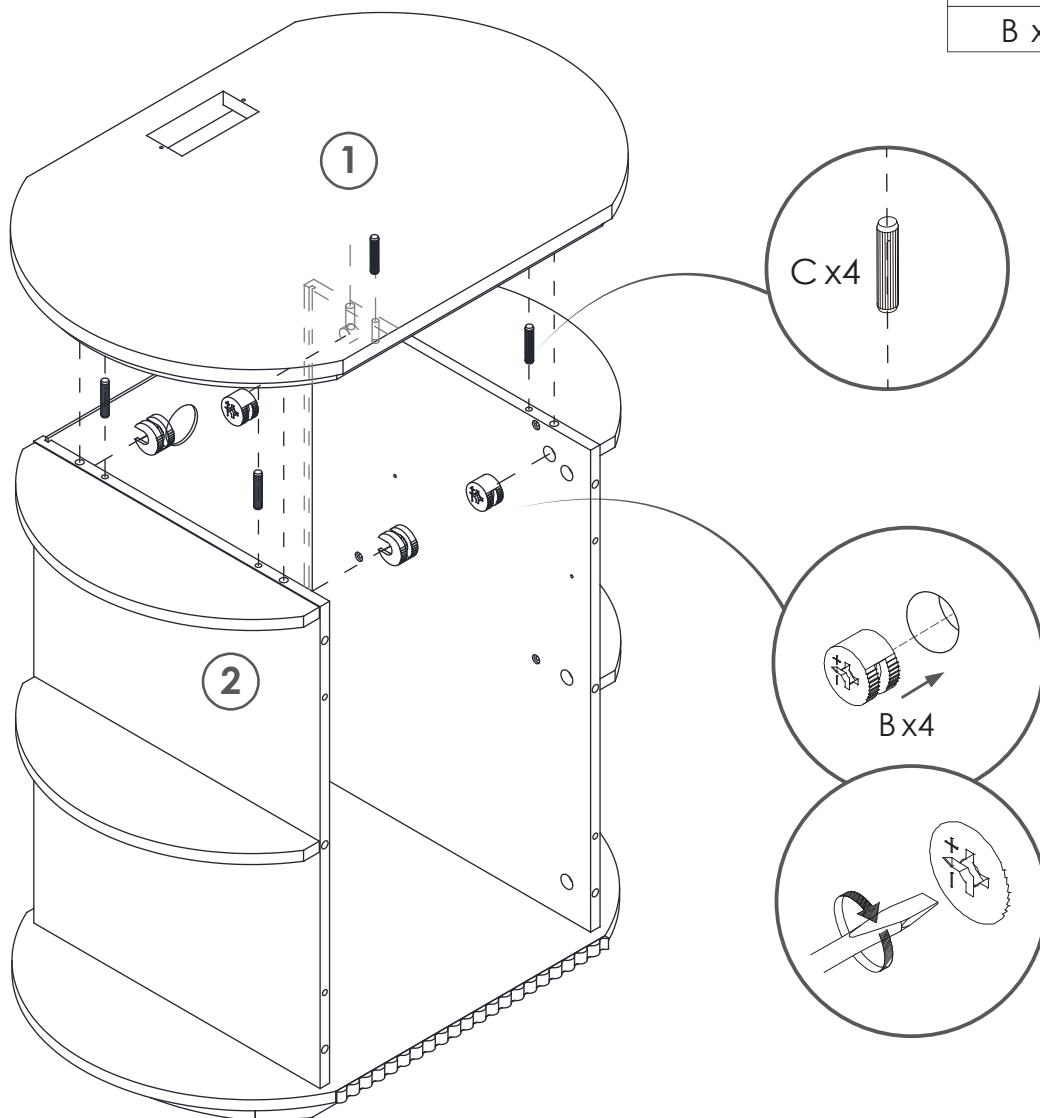


07

YOU WILL NEED

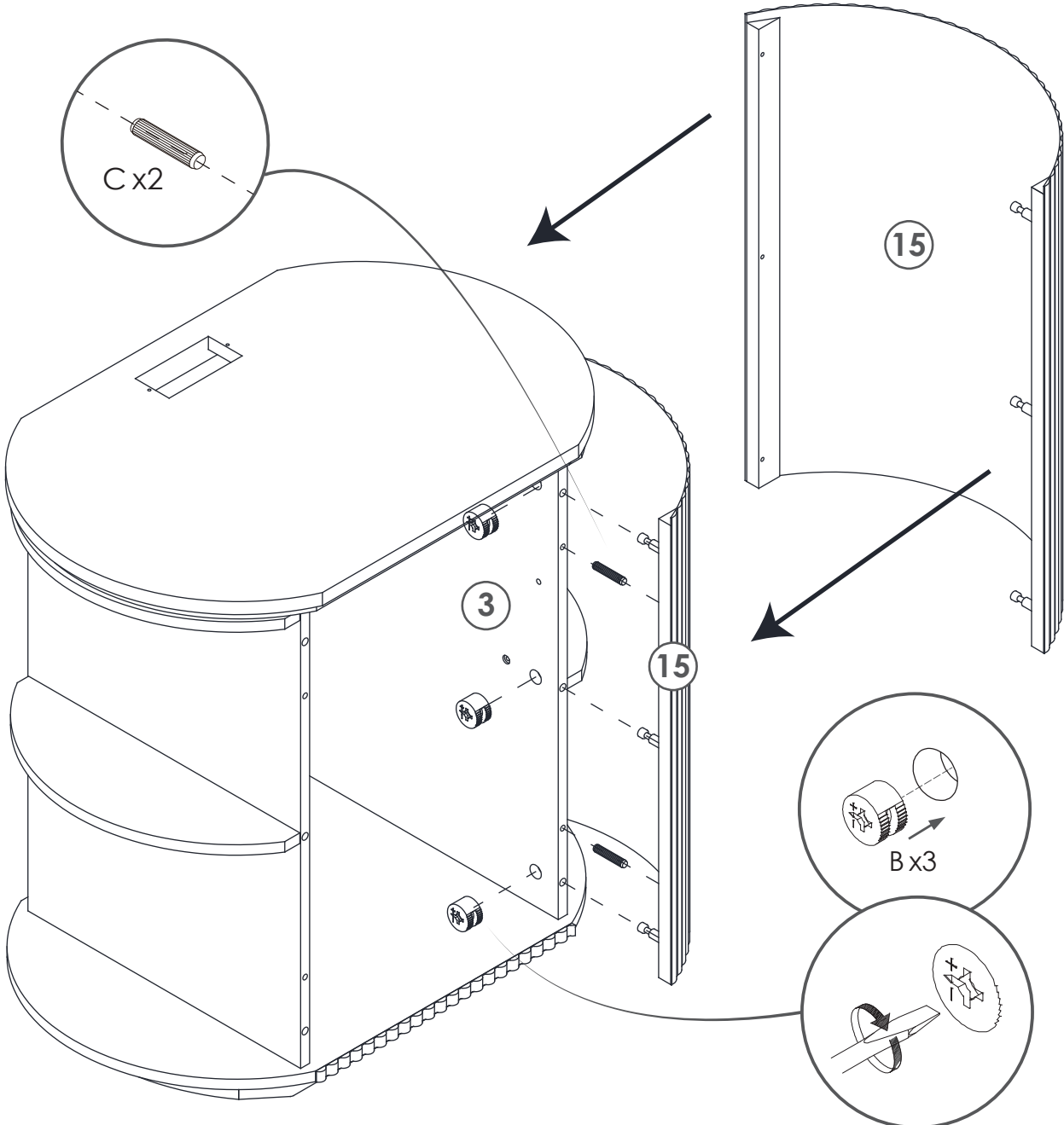
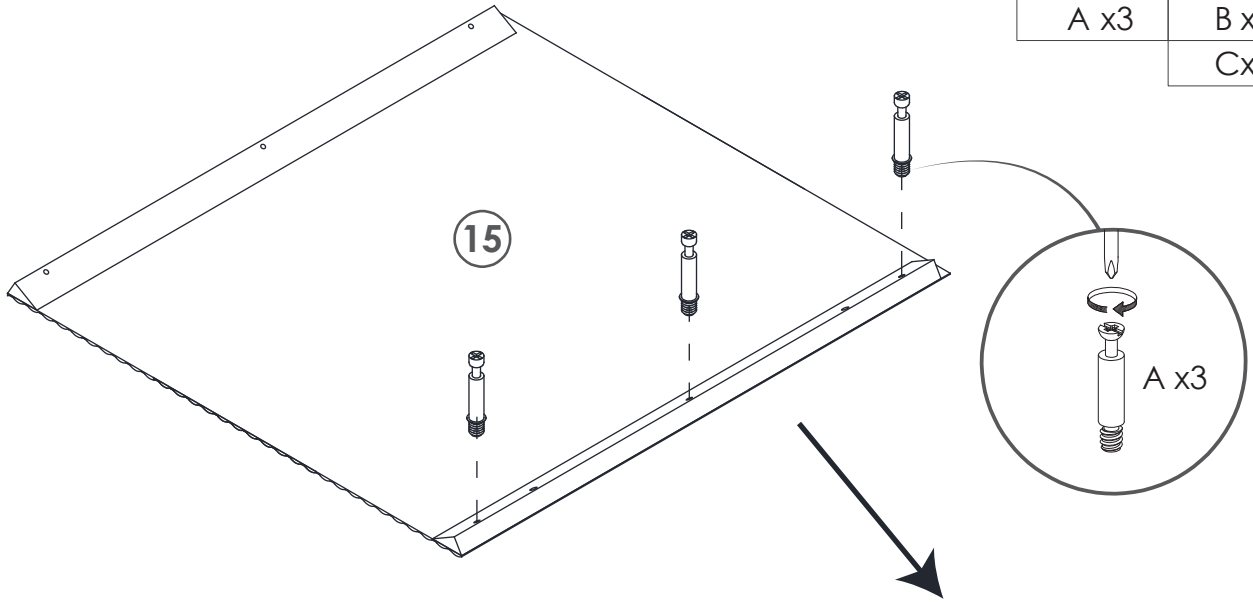
B x4

C x4



YOU WILL NEED

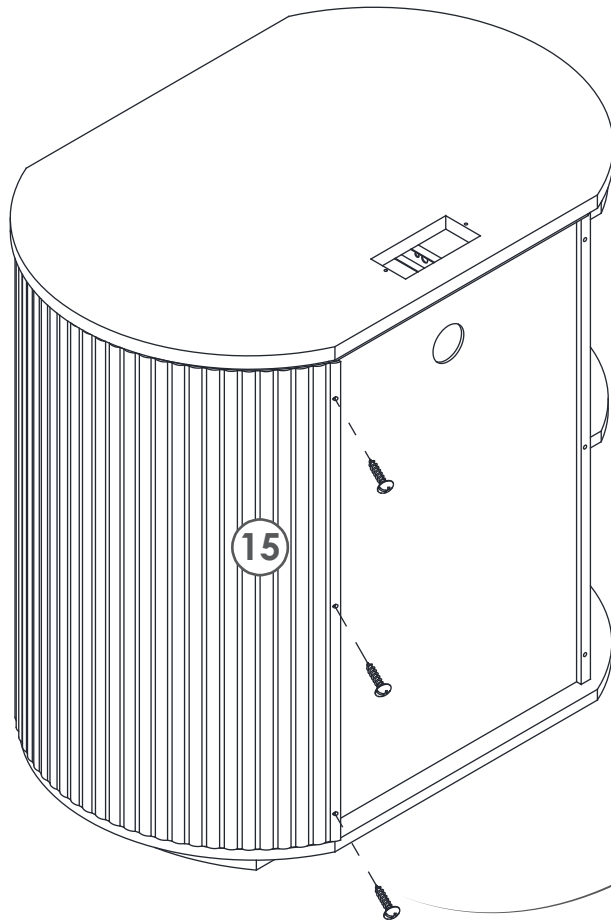
A x3	B x3
	C x2



09

YOU WILL NEED

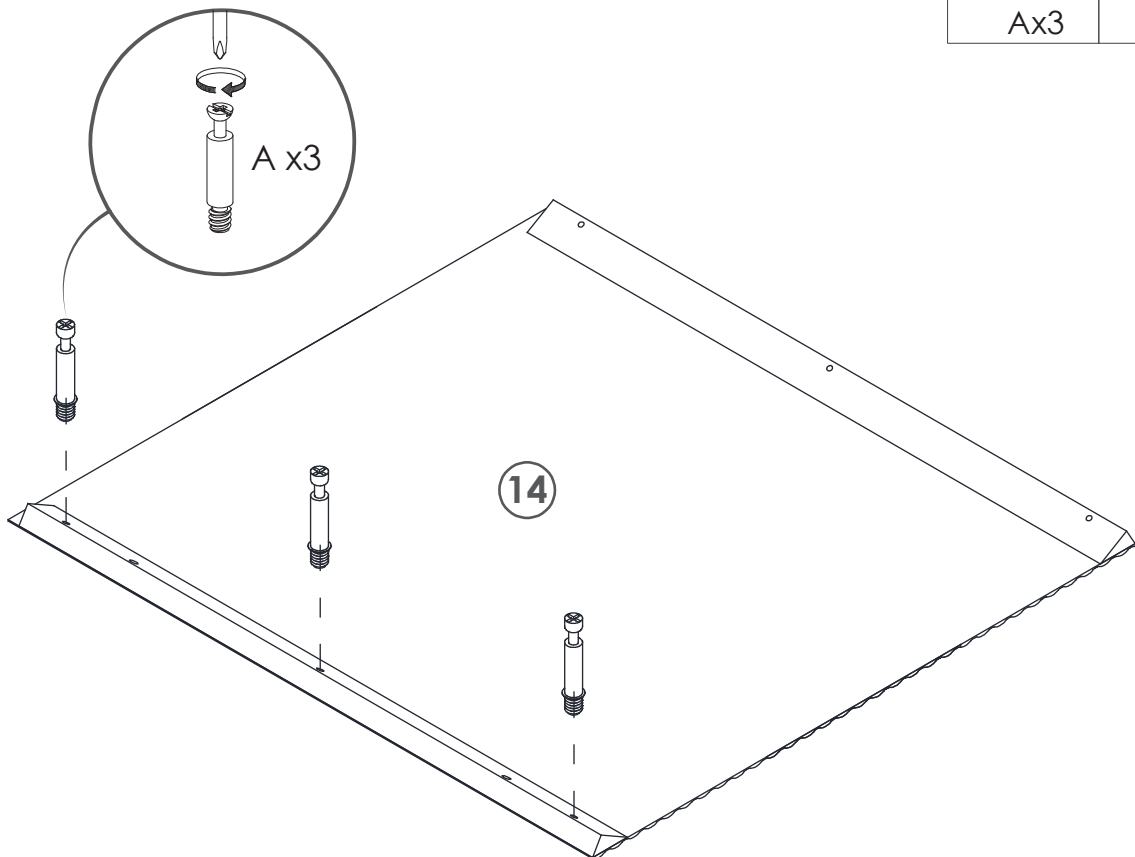
O x3



10

YOU WILL NEED

A x3

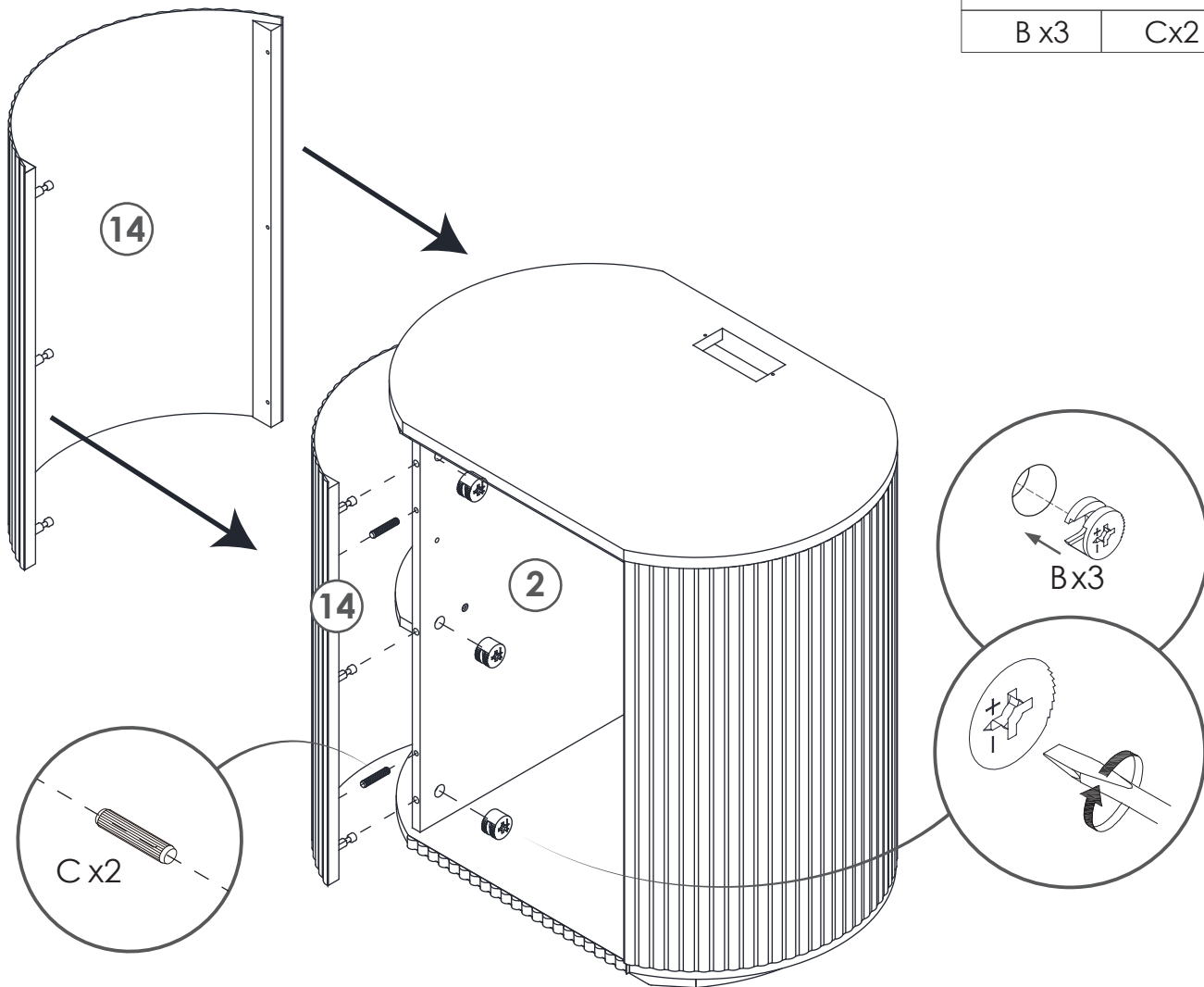


11

YOU WILL NEED

B x3

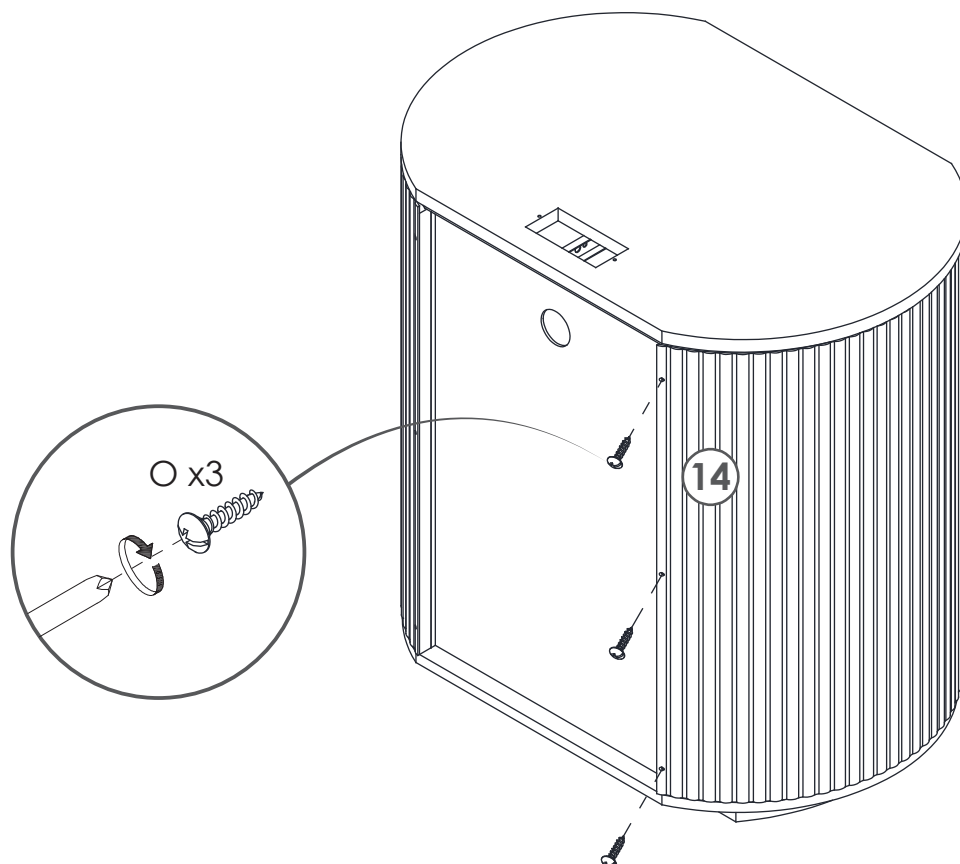
Cx2



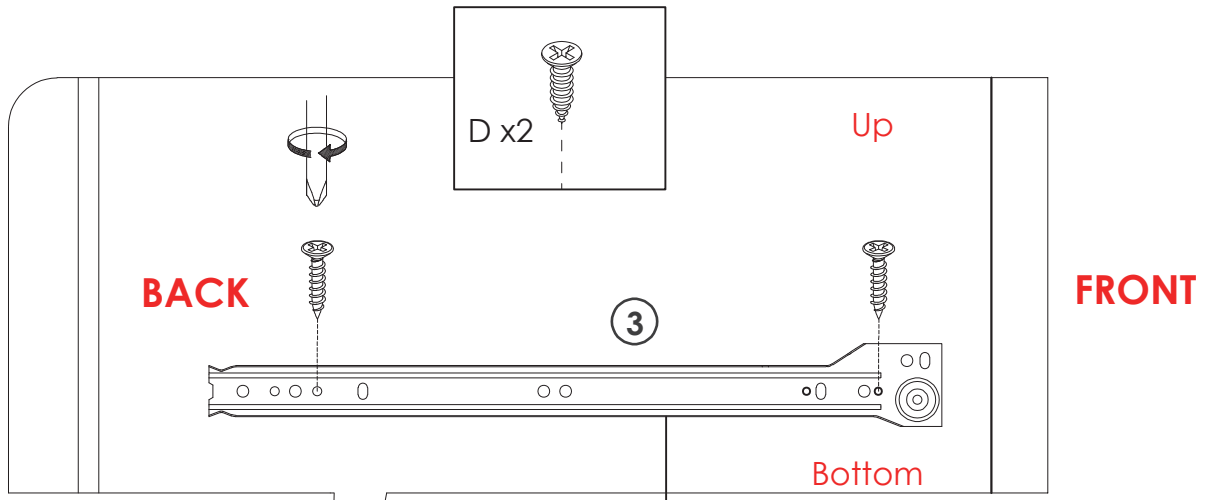
12

YOU WILL NEED

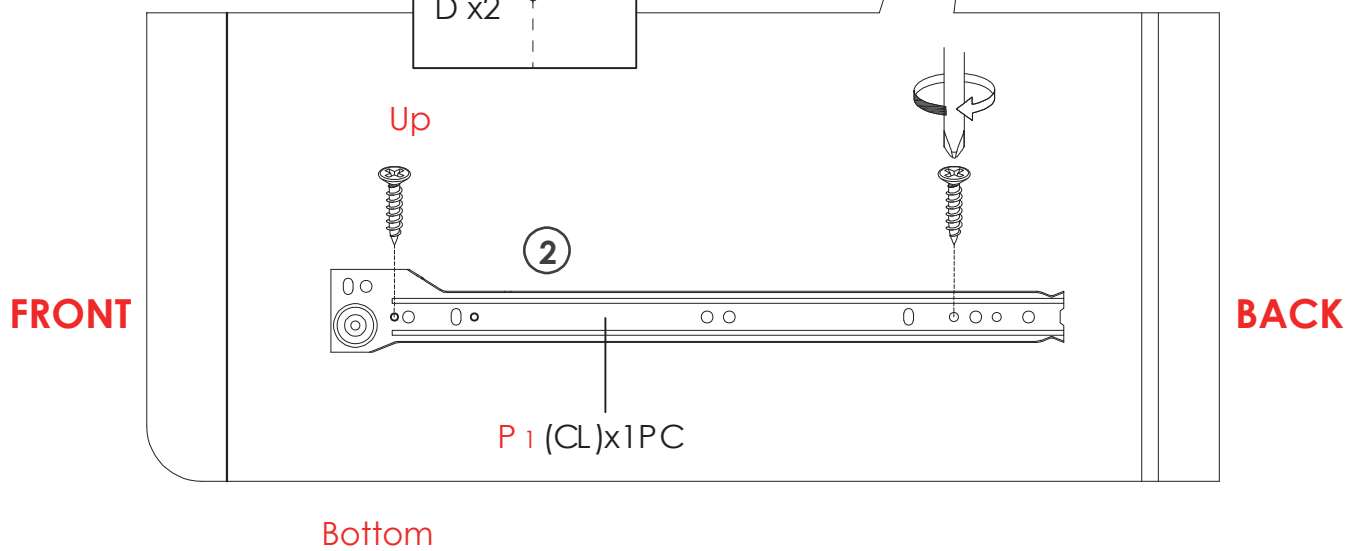
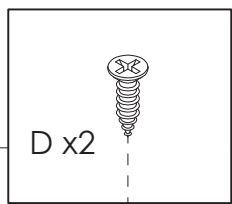
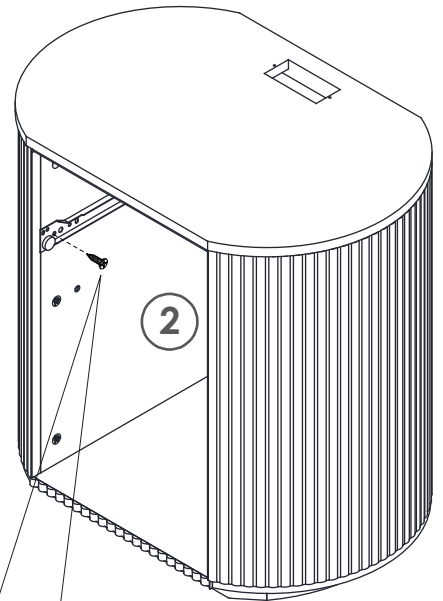
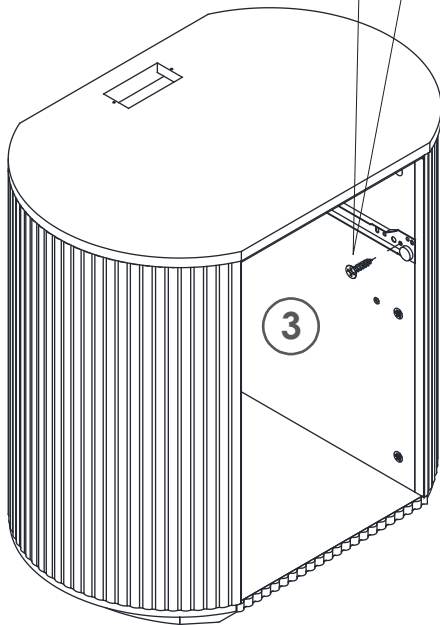
O x3



D x4



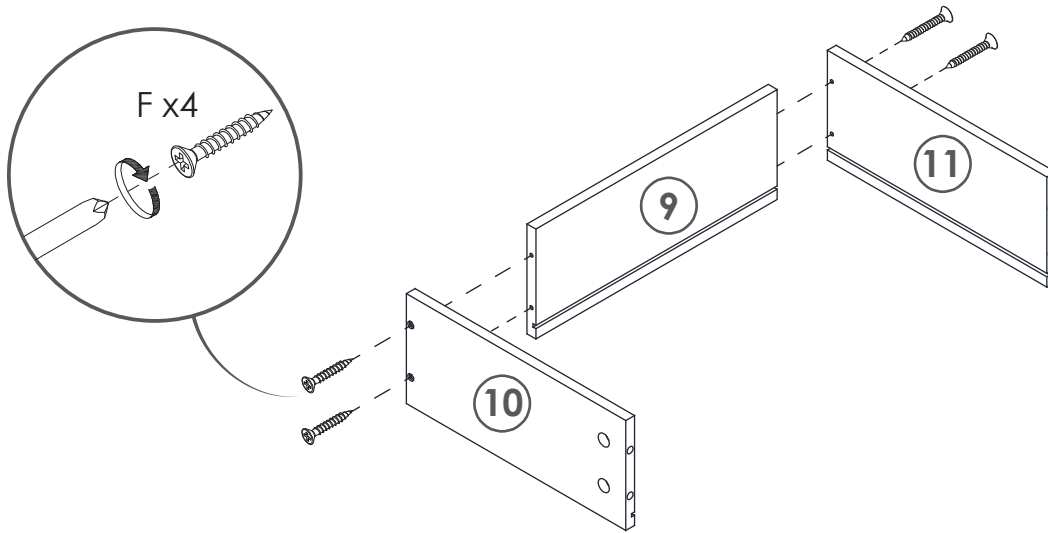
P₂ (CR)x1PC



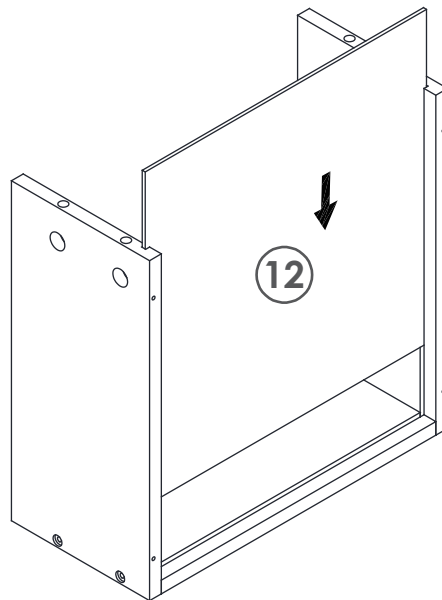
14

YOU WILL NEED

F x4



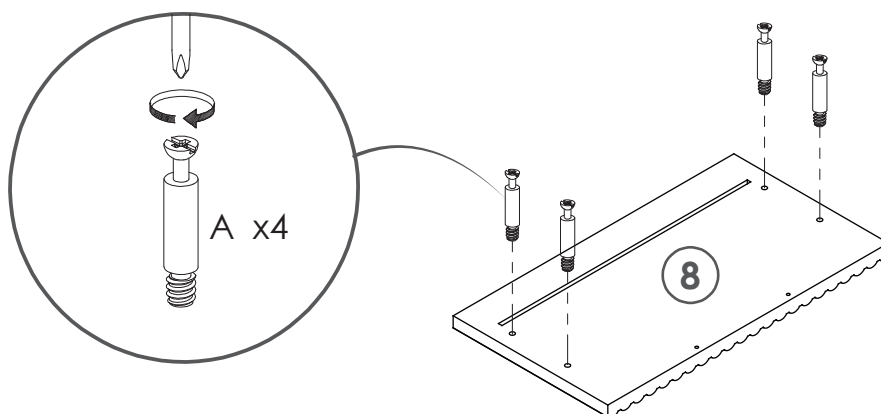
15



16

YOU WILL NEED

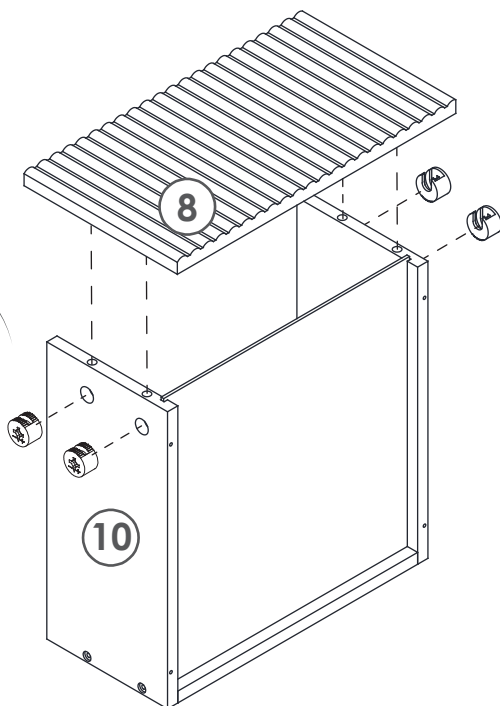
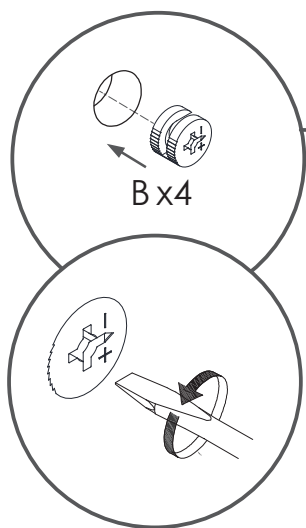
Ax4



17

YOU WILL NEED

B x4

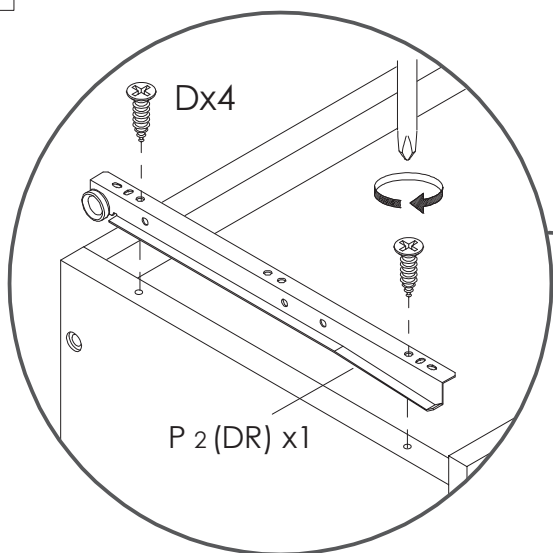


18

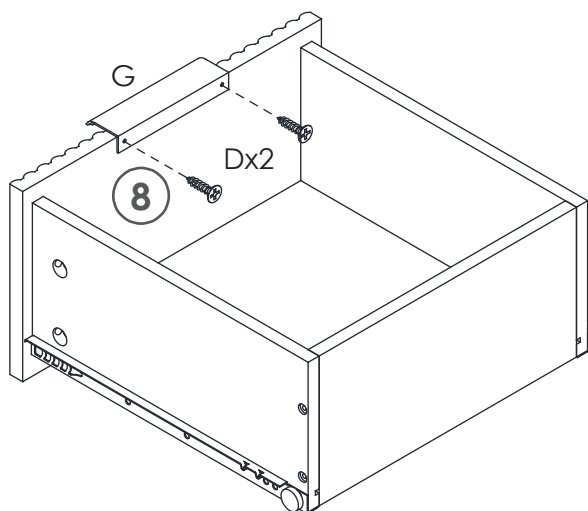
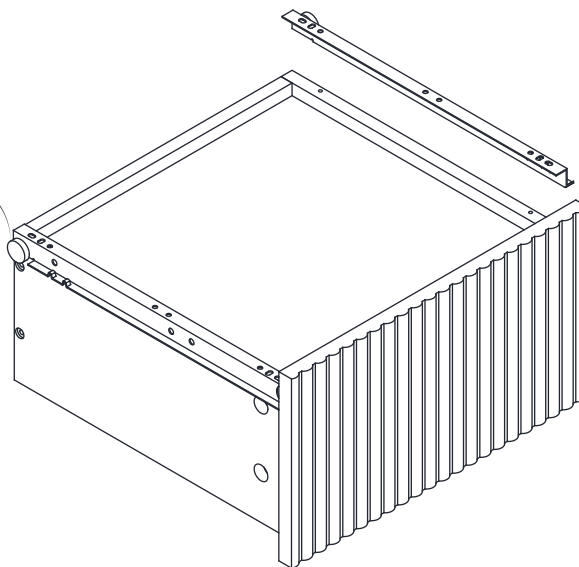
YOU WILL NEED

D x6

G x1



P 1 (DL) x1

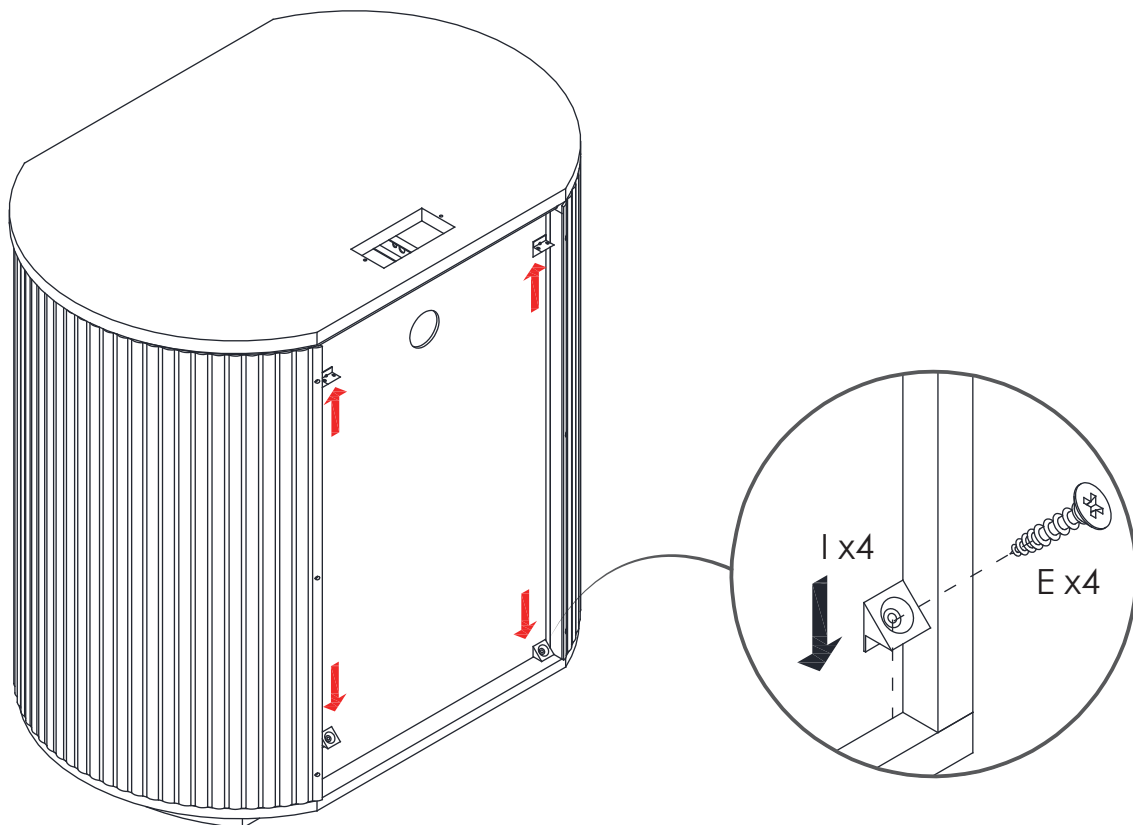


19

YOU WILL NEED

E x4

I x4

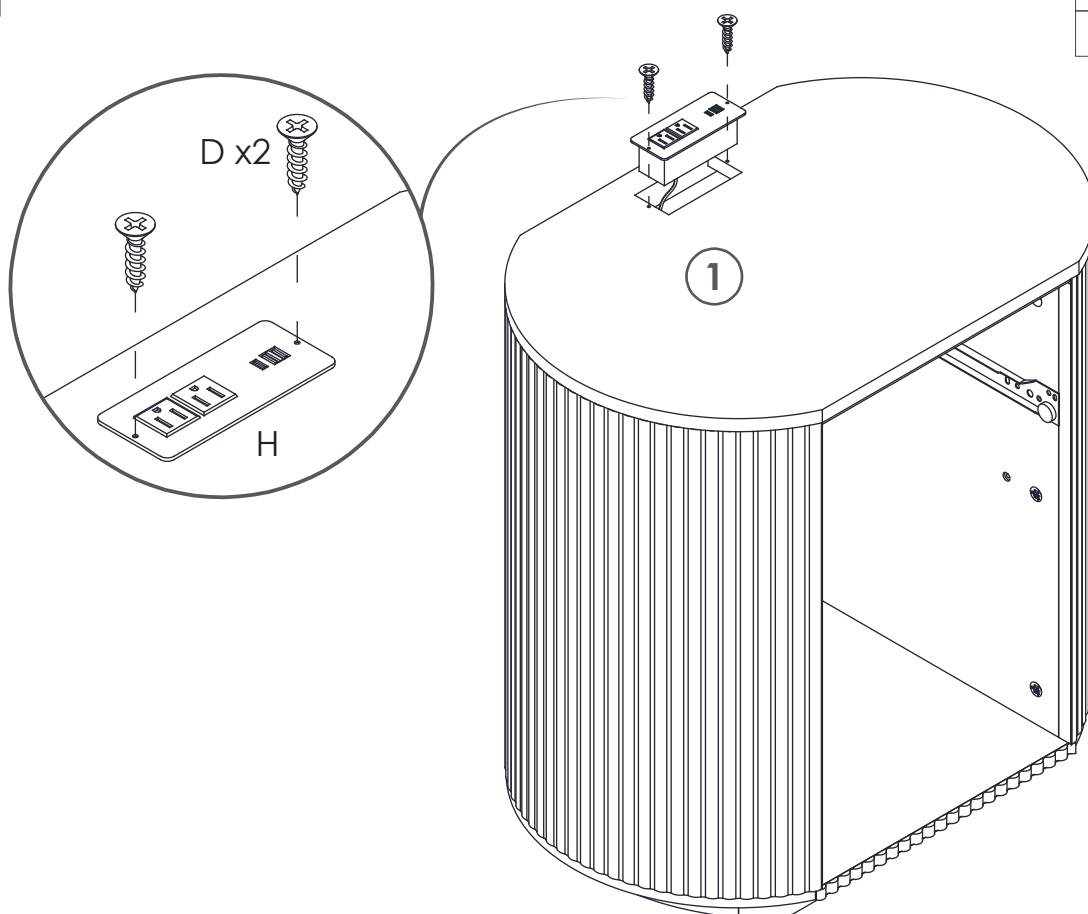


20

YOU WILL NEED

Dx2

Hx1



21

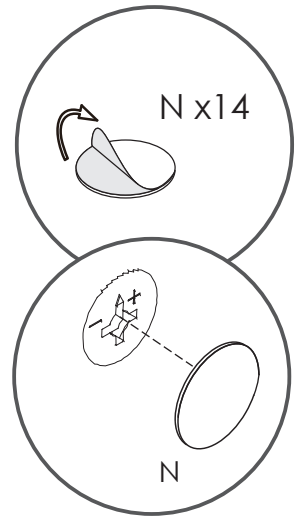
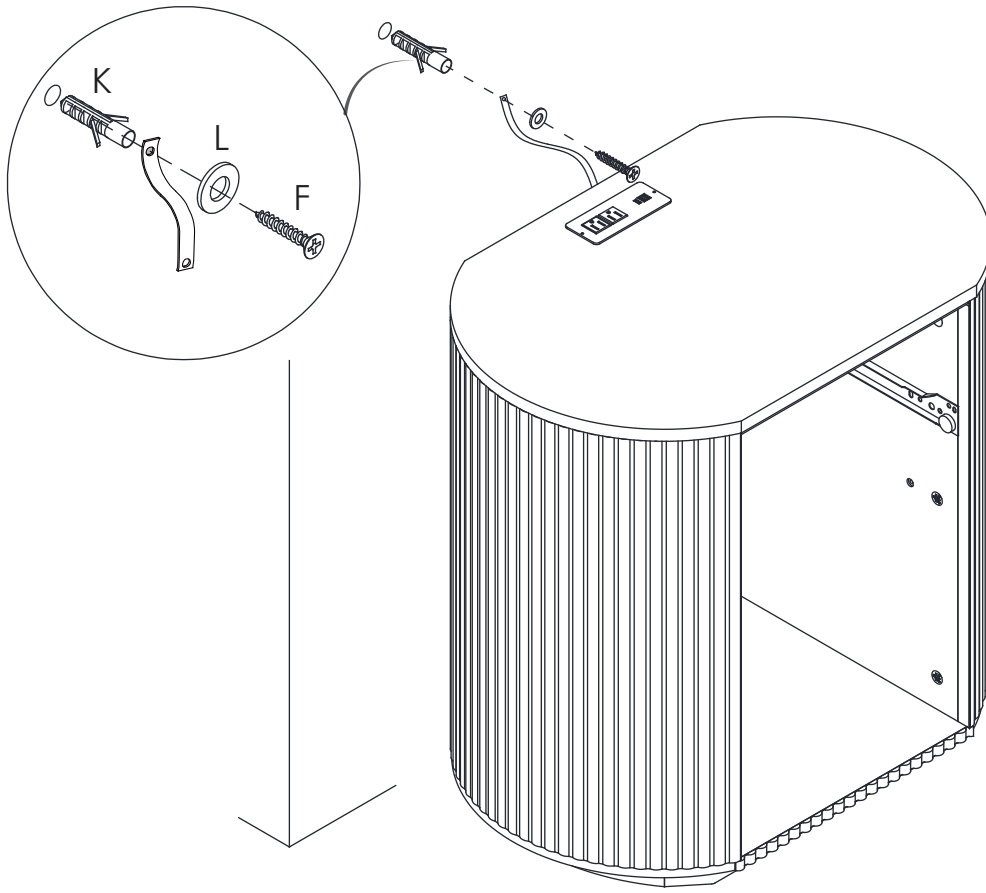
YOU WILL NEED

F x1

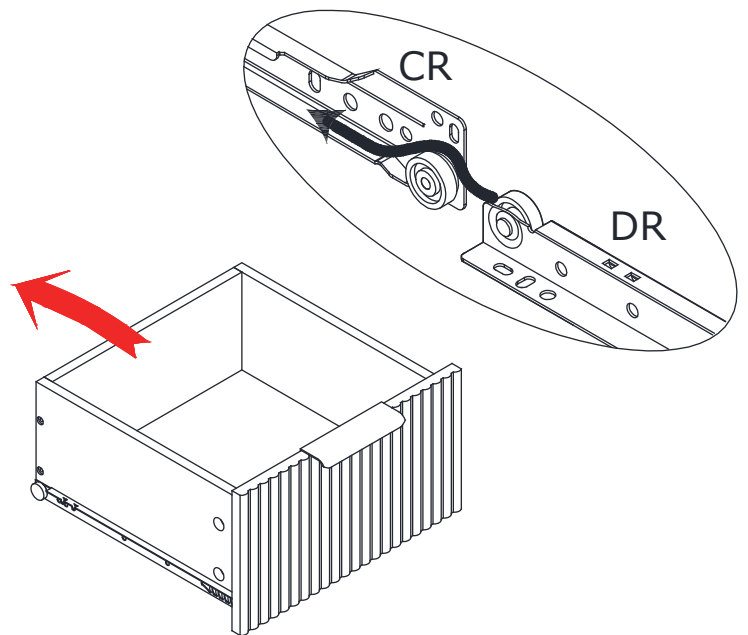
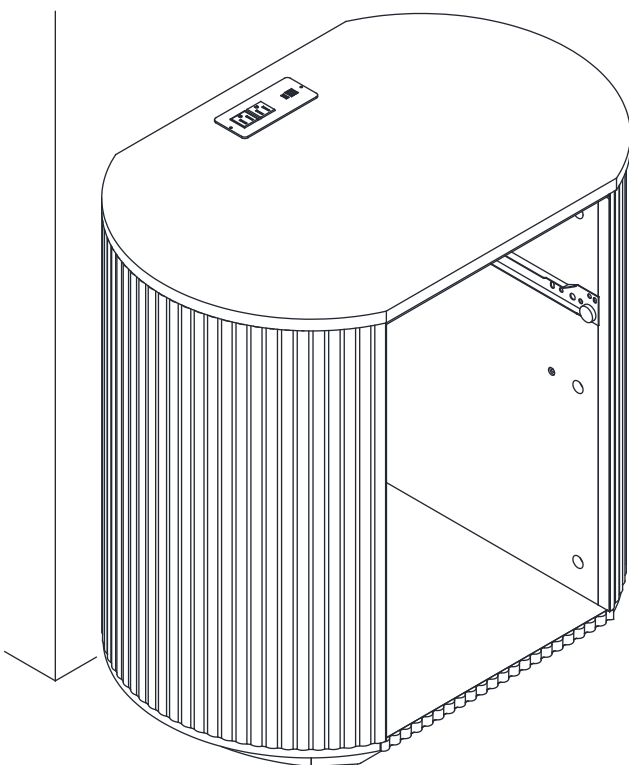
L x1

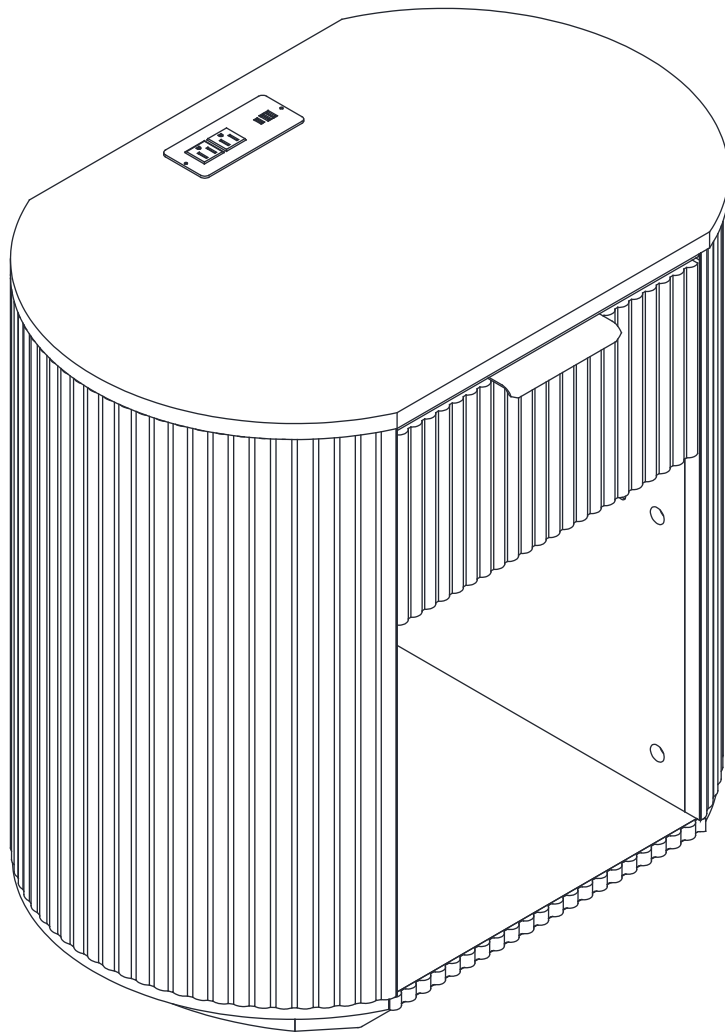
K x1

N x14



22





GUARANTEE

Storage Cabinet offers a **90-days** warranty that begins on the date of the original purchase and applies to problems caused by the manufacturer. For questions, assistance, or support, please contact the Customer Service by e-mail with your order number and details. We will send you further information about the solution.