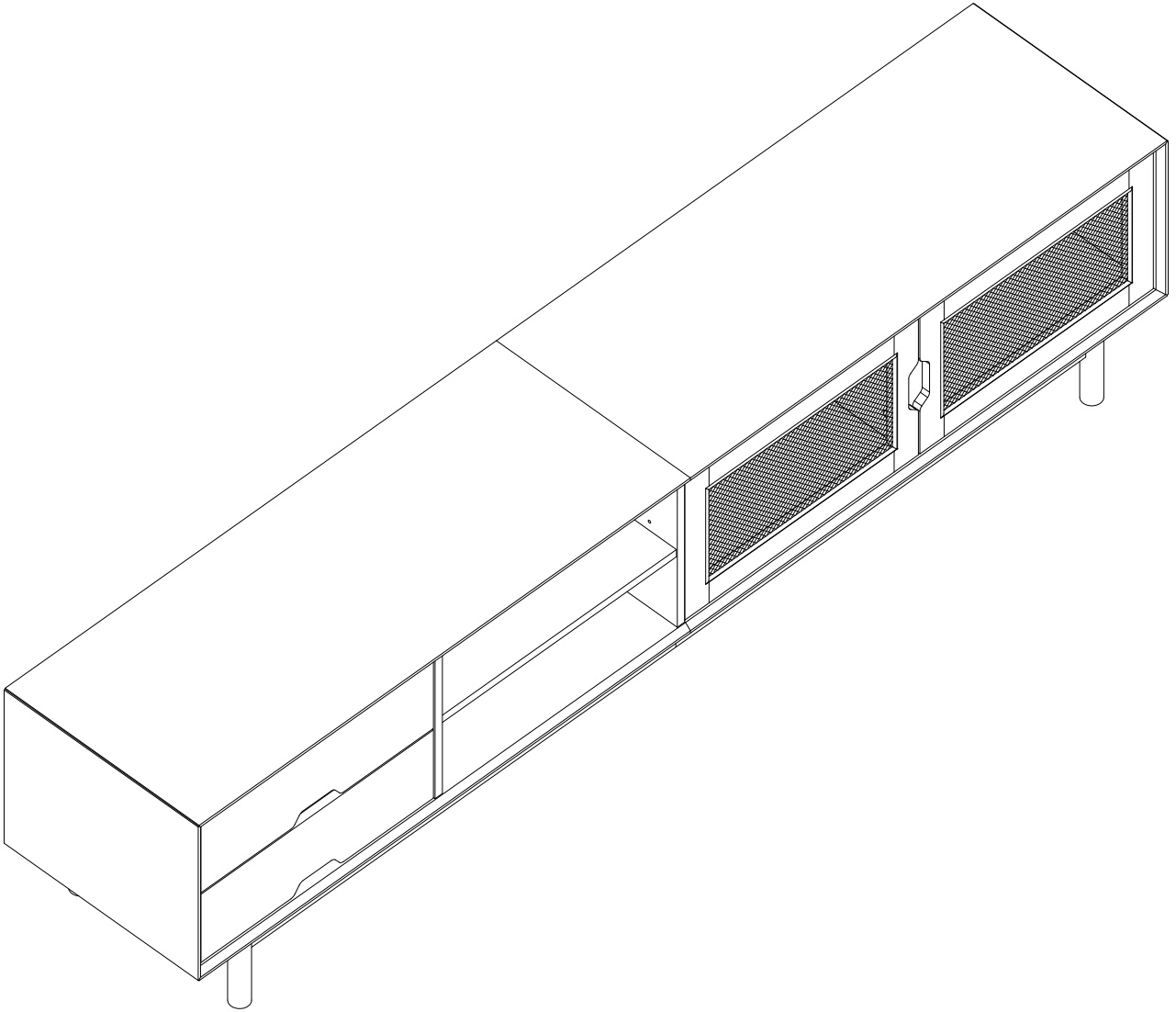


TV STAND-N710P407810P

Assembly Instructions - Please keep for future reference.



DIMENSIONS

width-78.75inch
Depth-15.75inch
Height-18.5inch

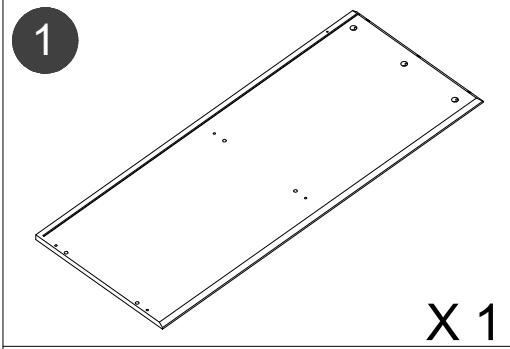
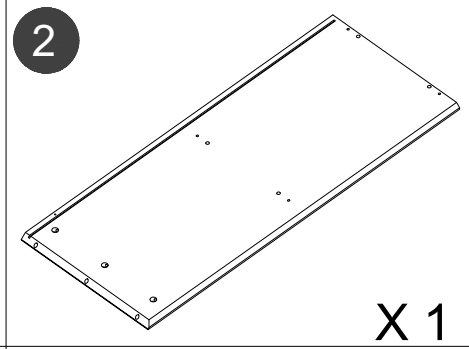
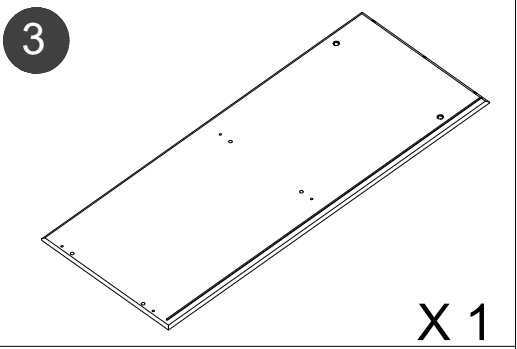
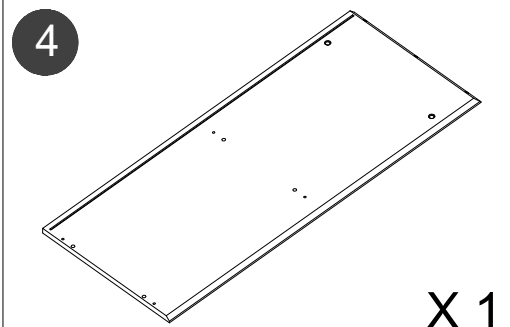
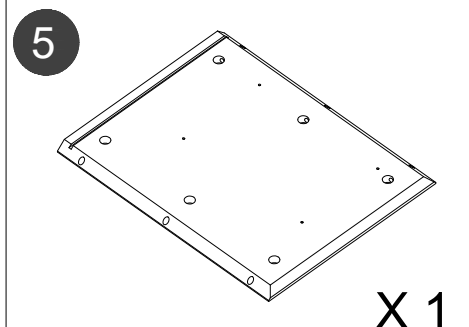
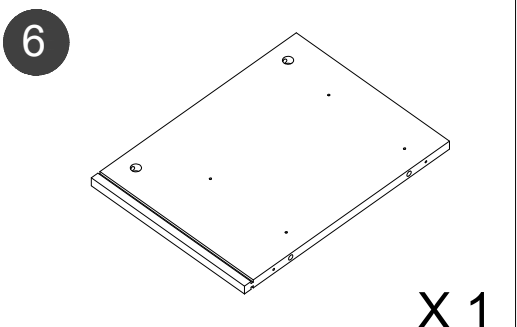
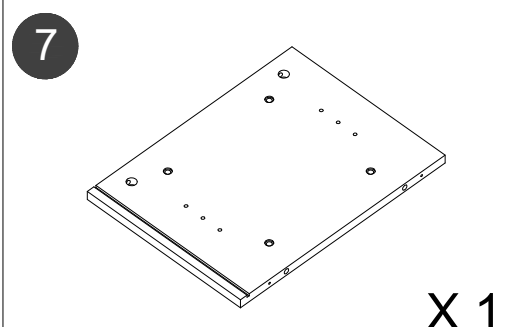
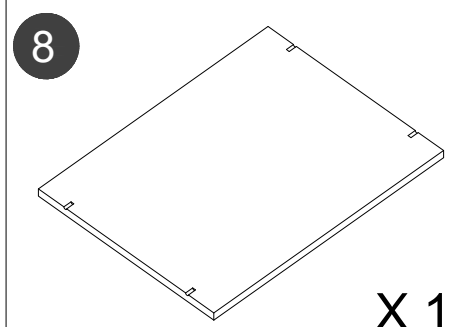
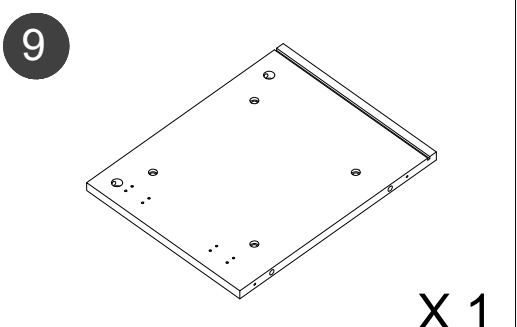
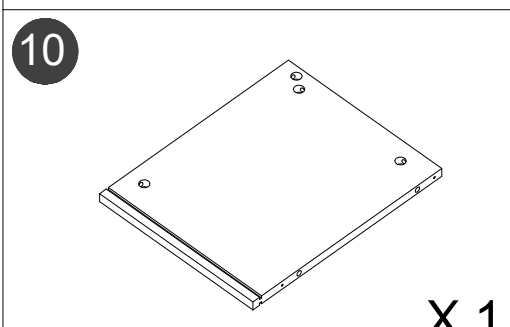
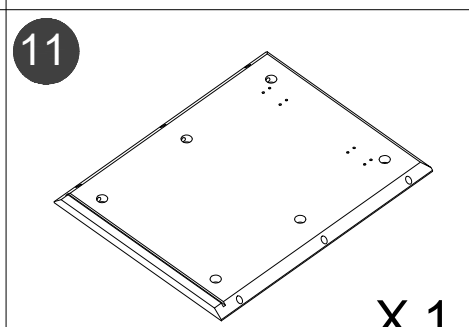
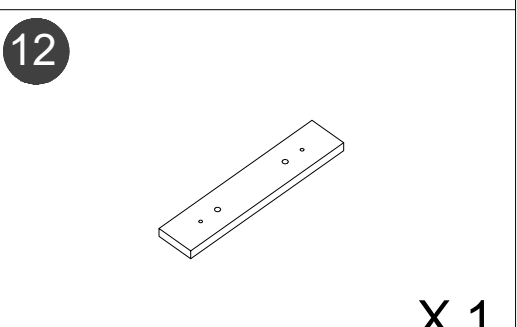
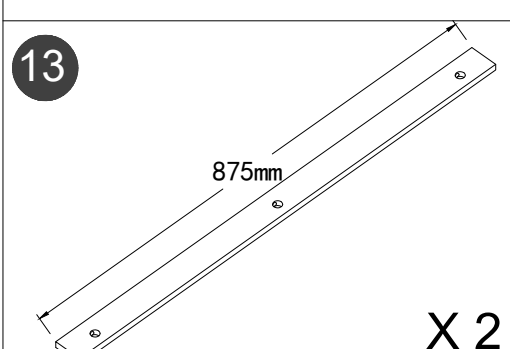
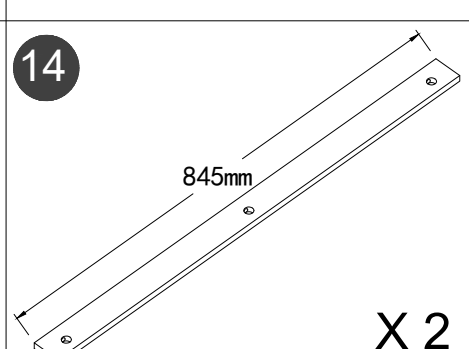
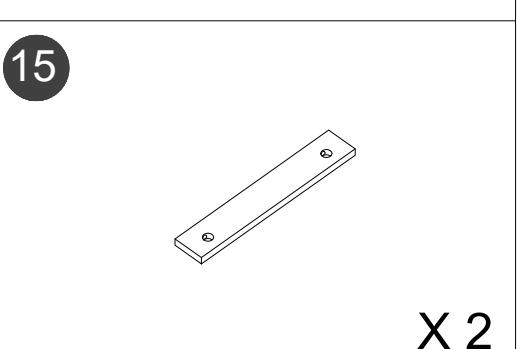
Important - Please read these instructions fully before starting assembly.

components - fittings

Please check you have all the panels listed below.

Note: The quantities below are the correct amount to complete the assembly. In some cases more fittings may be supplied than are required.

N710P407810P

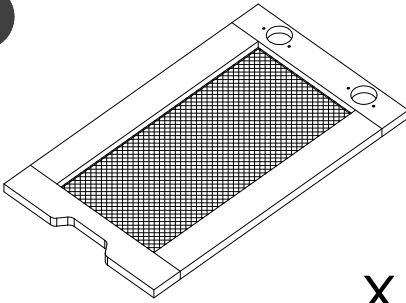
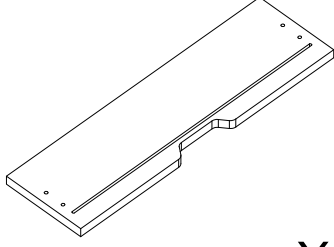
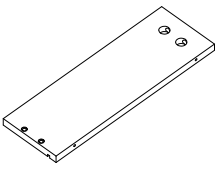
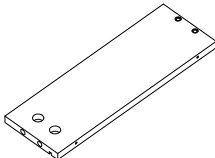
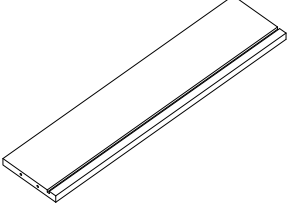
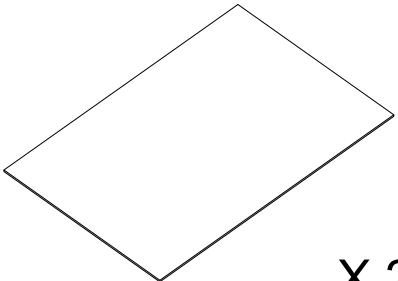
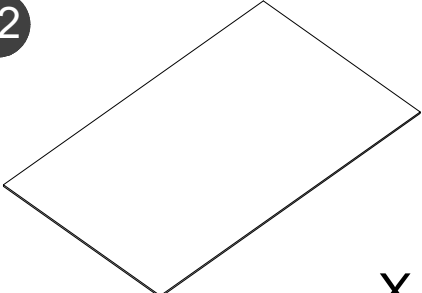
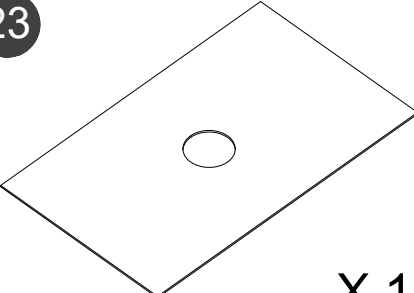
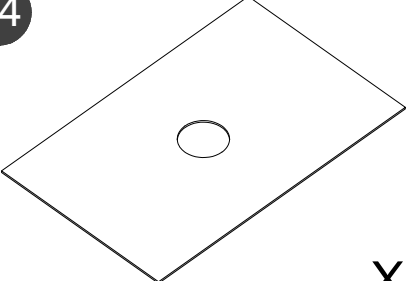
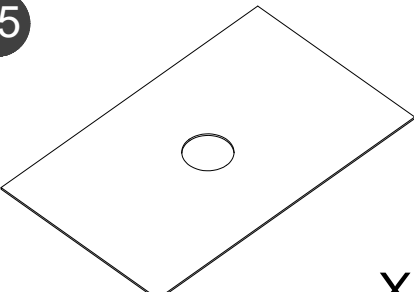

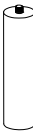
 <p>1</p> <p>X 1</p>	 <p>2</p> <p>X 1</p>	 <p>3</p> <p>X 1</p>
 <p>4</p> <p>X 1</p>	 <p>5</p> <p>X 1</p>	 <p>6</p> <p>X 1</p>
 <p>7</p> <p>X 1</p>	 <p>8</p> <p>X 1</p>	 <p>9</p> <p>X 1</p>
 <p>10</p> <p>X 1</p>	 <p>11</p> <p>X 1</p>	 <p>12</p> <p>X 1</p>
 <p>13</p> <p>875mm</p> <p>X 2</p>	 <p>14</p> <p>845mm</p> <p>X 2</p>	 <p>15</p> <p>X 2</p>

components - fittings

Please check you have all the panels listed below.

Note: The quantities below are the correct amount to complete the assembly. In some cases more fittings may be supplied than are required.

N710P407810P


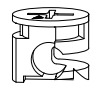
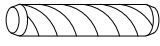
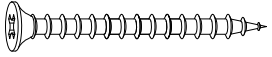
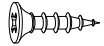
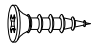
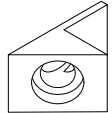


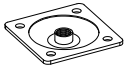
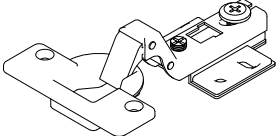


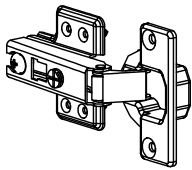
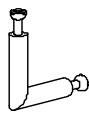

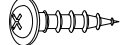


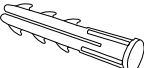

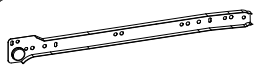
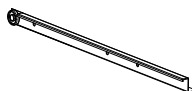
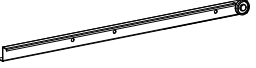
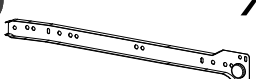
<p>16</p>  <p>X 2</p>	<p>17</p>  <p>X 2</p>	<p>18</p>  <p>X 2</p>
<p>19</p>  <p>X 2</p>	<p>20</p>  <p>X 2</p>	<p>21</p>  <p>X 2</p>
<p>22</p>  <p>X 1</p>	<p>23</p>  <p>X 1</p>	<p>24</p>  <p>X 1</p>
<p>25</p>  <p>X 1</p>	<p>26</p>  <p>X 4</p>	<p>27</p>  <p>X 1</p>

components - fittings

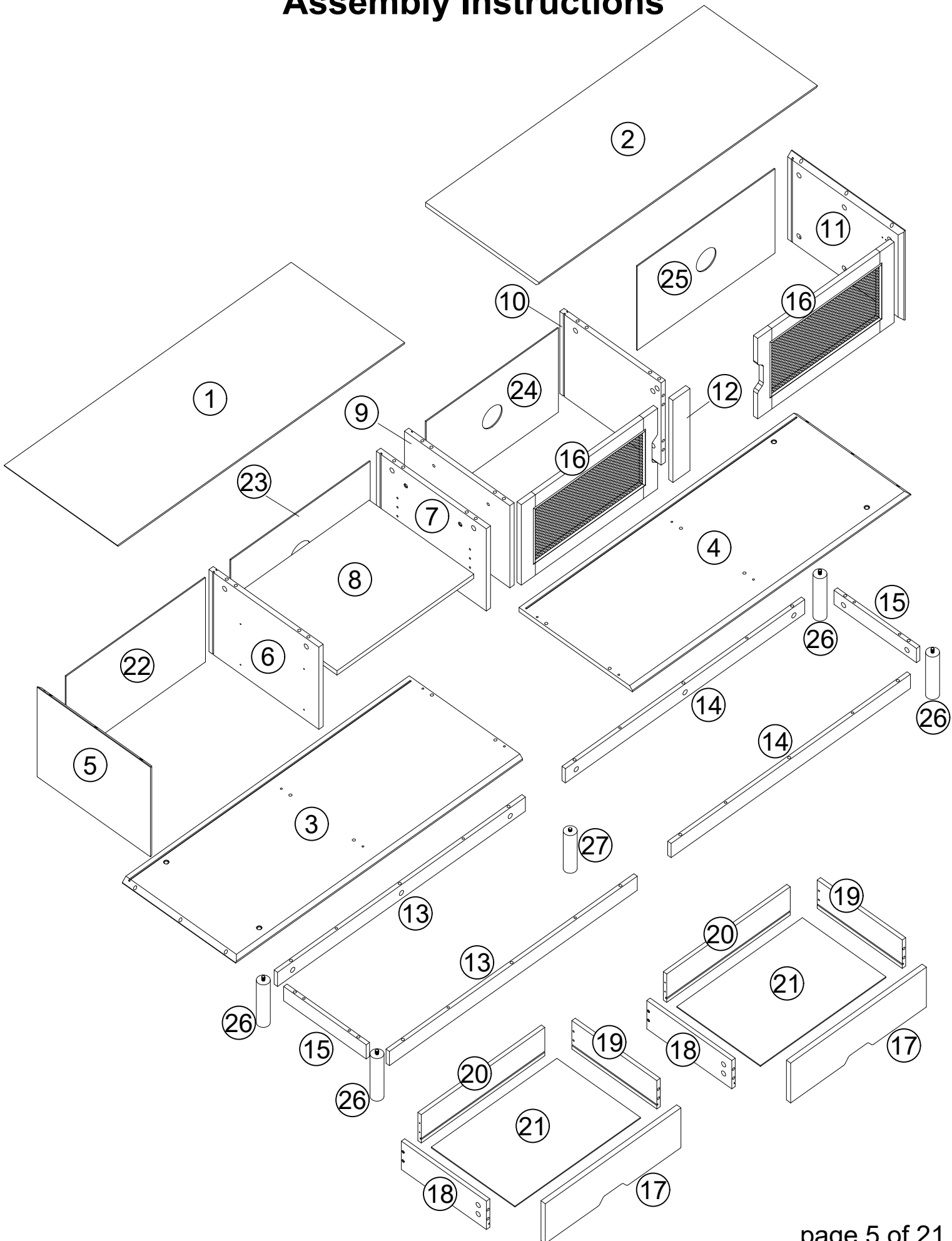
Please check you have all the panels listed below.

Note: The quantities below are the correct amount to complete the assembly. In some cases more fittings may be supplied than are required.

Hardware-Liste :N710P407810P

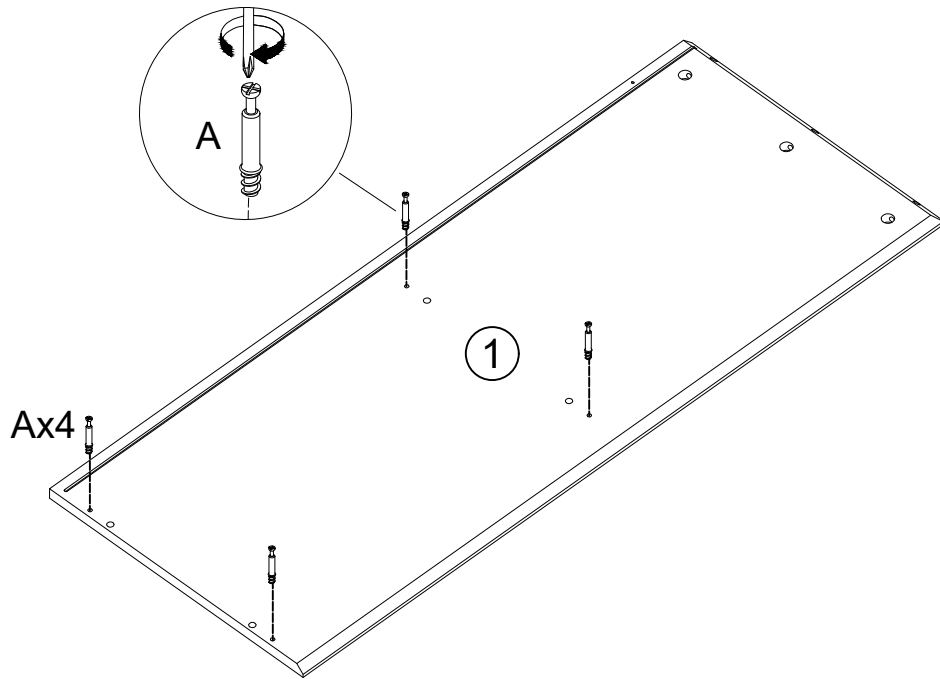
<p>A X 34</p>  <p>M6x35mm</p>	<p>B X 58</p>  <p>Φ15mm</p>	<p>C X 18</p>  <p>Φ8x30mm</p>	<p>D X 18</p>  <p>M4x35mm</p>
<p>E X 16</p>  <p>M3.5x14mm</p>	<p>F X 40</p>  <p>M3.5x14mm</p>	<p>G X 16</p> 	<p>H X 1</p> 
<p>I X 12</p>  <p>Φ6x30mm</p>	<p>J X 1</p> 	<p>K X 2</p> 	<p>L X 4</p>  <p>EVA</p>
<p>M X30</p>  <p>Ø20mm</p>	<p>N X2</p> 	<p>O X 12</p>  <p>M6x45mm</p>	<p>P X 4</p>  <p>M6x20mm</p>
<p>Q X 6</p>  <p>M4x14mm</p>	<p>R X2</p> 	<p>S X 1</p>  <p>4#</p>	<p>T X 2</p> 
<p>U X 4</p> 	<p>CL X2</p> 	<p>DL X2</p> 	<p>DR X2</p> 
	<p>CR X2</p> 		


Assembly Instructions



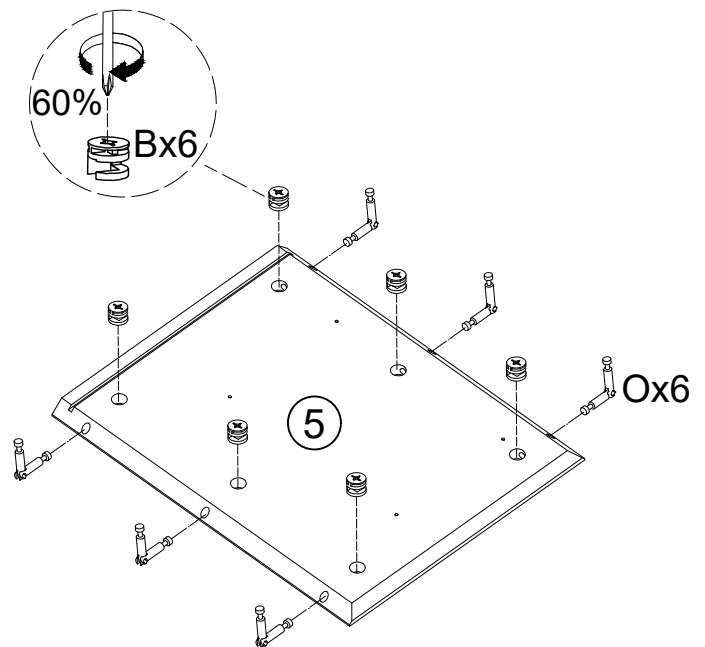
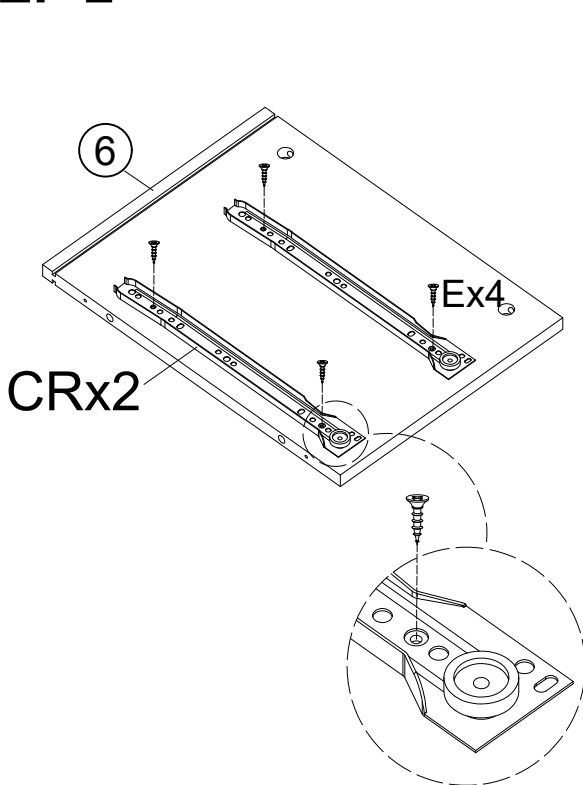
Assembly Instructions


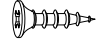


STEP 1



A	x4
	
M6x35mm	

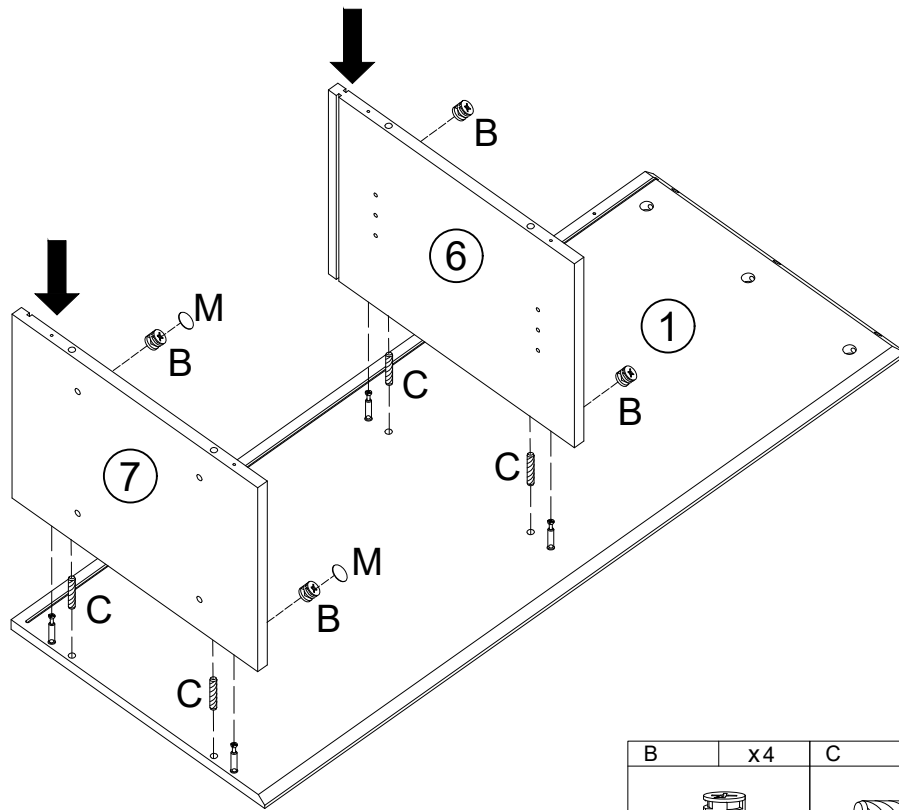
STEP 2






B	x6	E	x4	O	x6	CR	x2
							
Ø15mm		M3.5x14mm		M6x45mm			

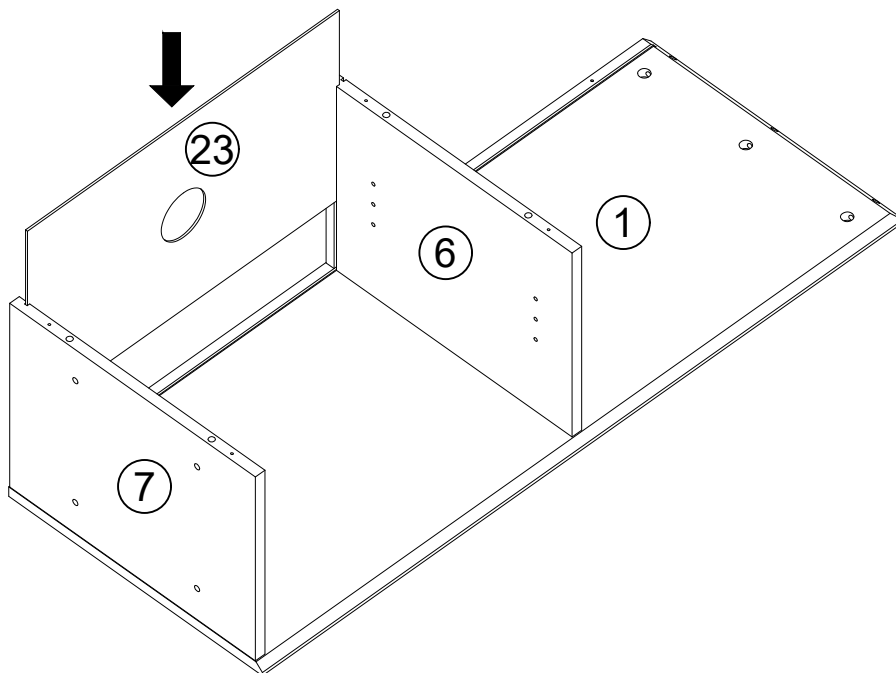
Assembly Instructions

STEP 3



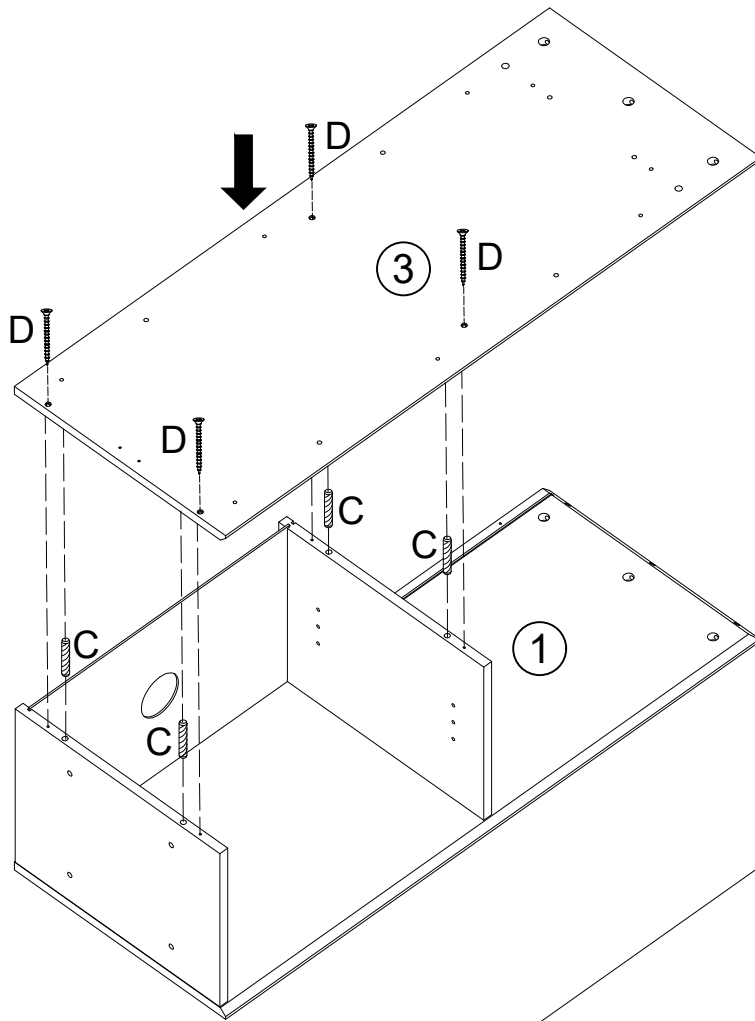
B	x4	C	x4	M	x2
					
Ø15mm		Ø8x30mm		Ø20mm	

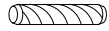
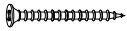
STEP 4



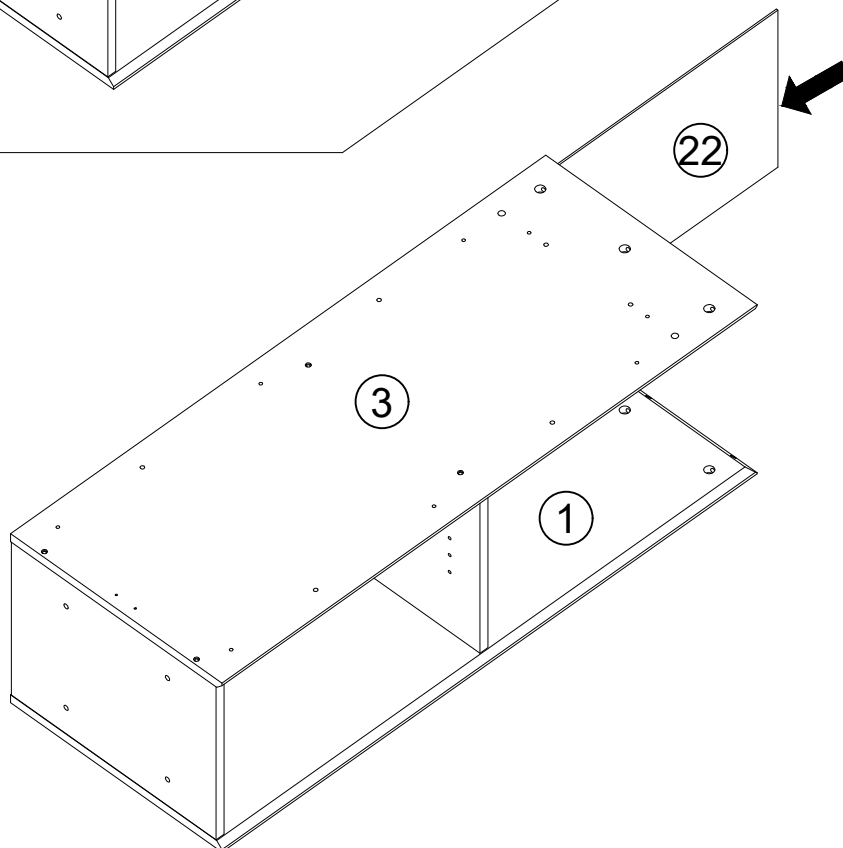
Assembly Instructions

STEP 5



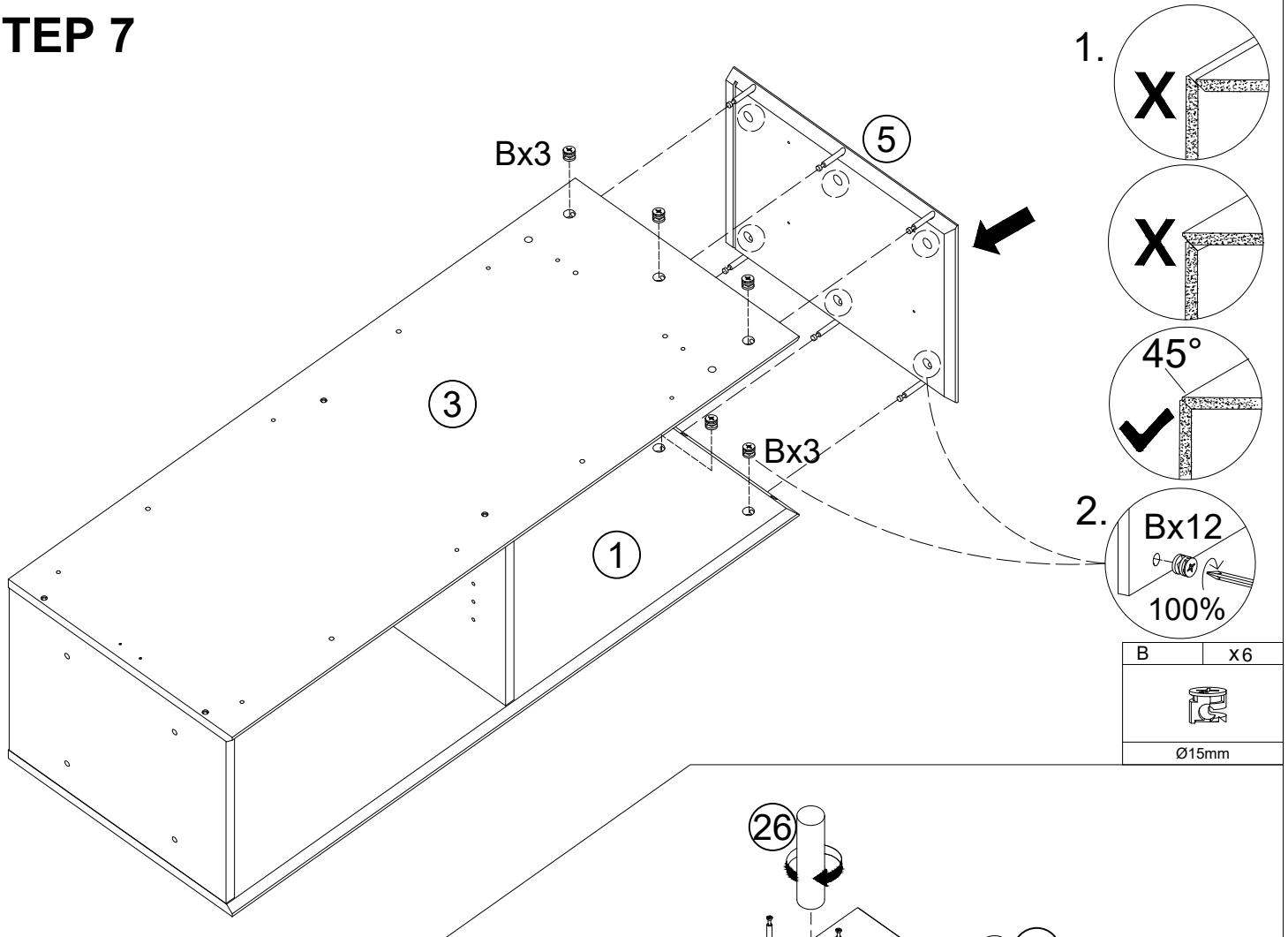
C	x4	D	x4
			
$\Phi 8 \times 30 \text{mm}$		M4x35mm	

STEP 6

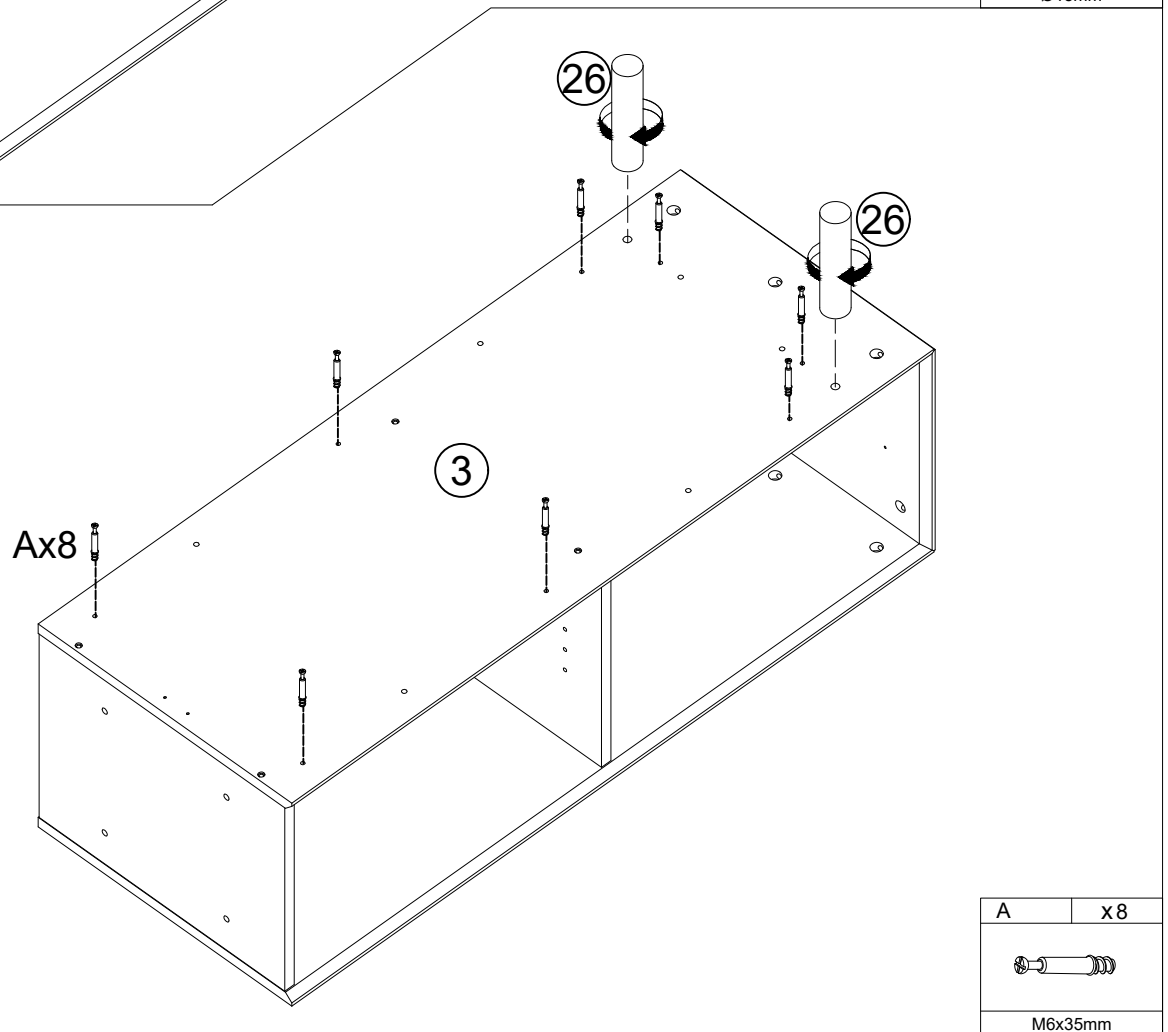


Assembly Instructions

STEP 7

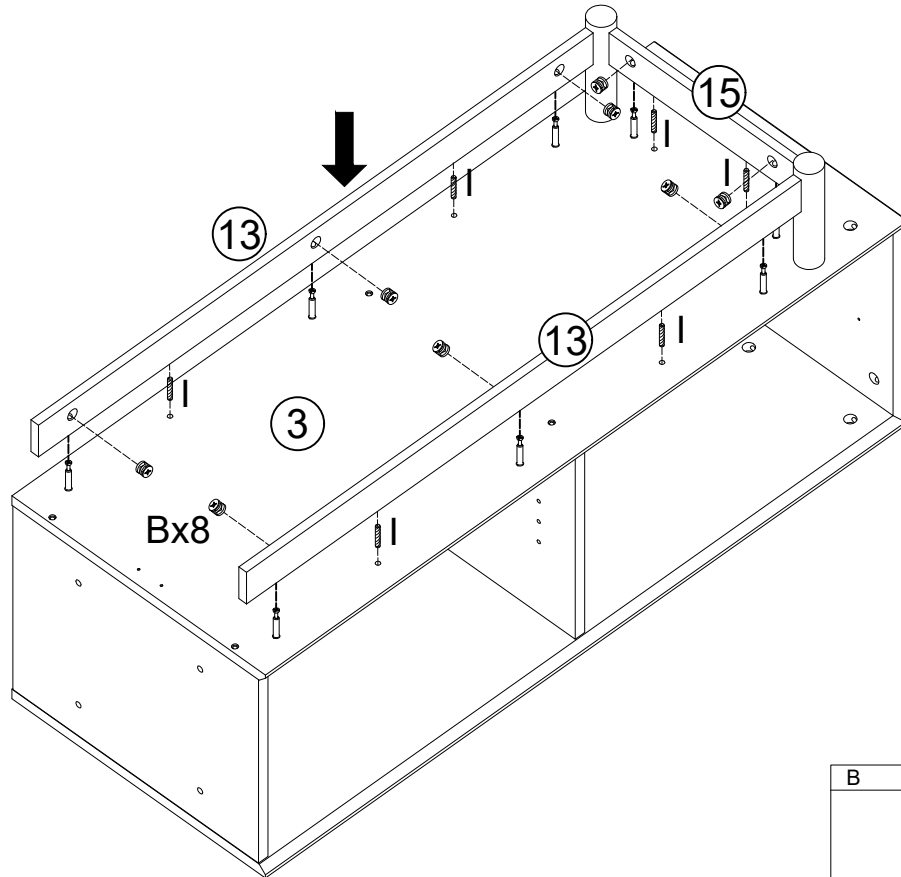


STEP 8

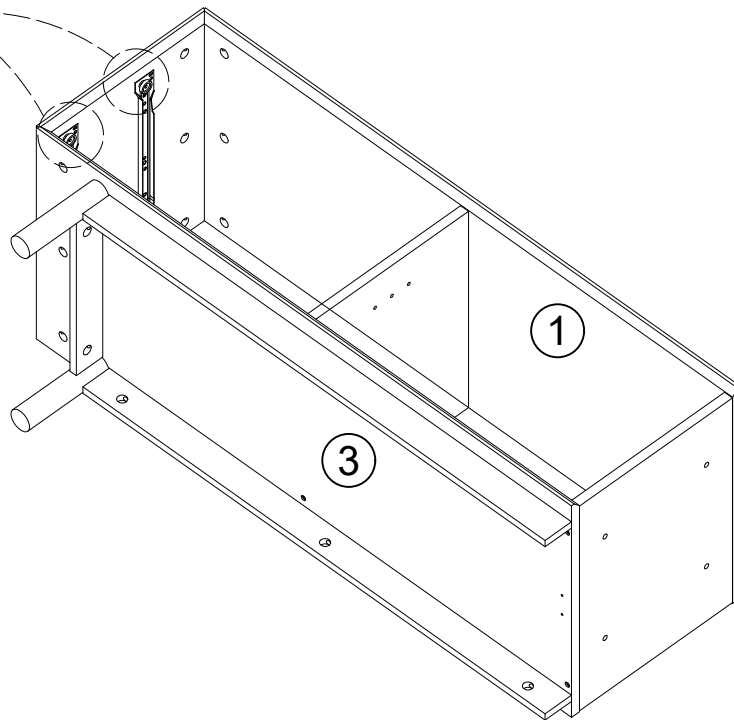
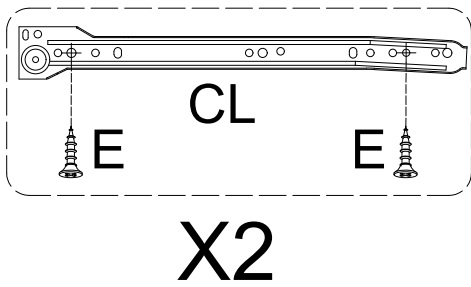


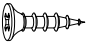

Assembly Instructions

STEP 9



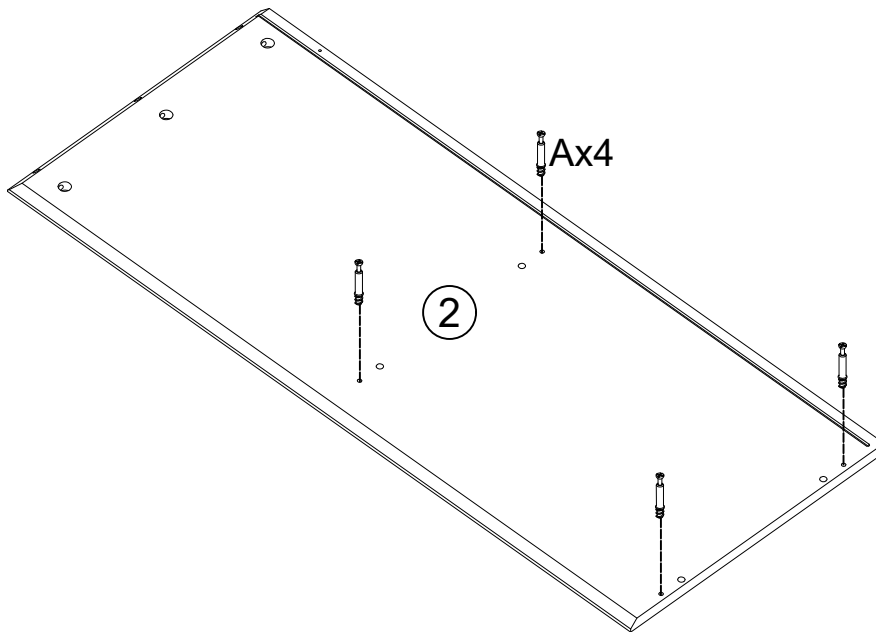
STEP 10

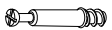


E	x4
	
M3.5x14mm	
CL	x2
	

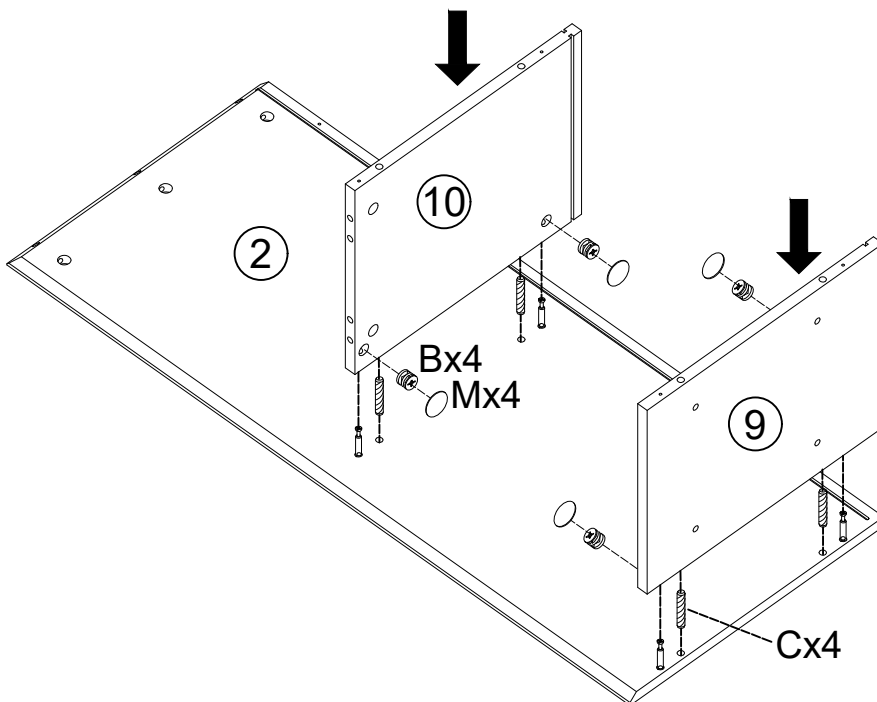
Assembly Instructions


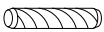

STEP 11



A	x4
	
M6x35mm	

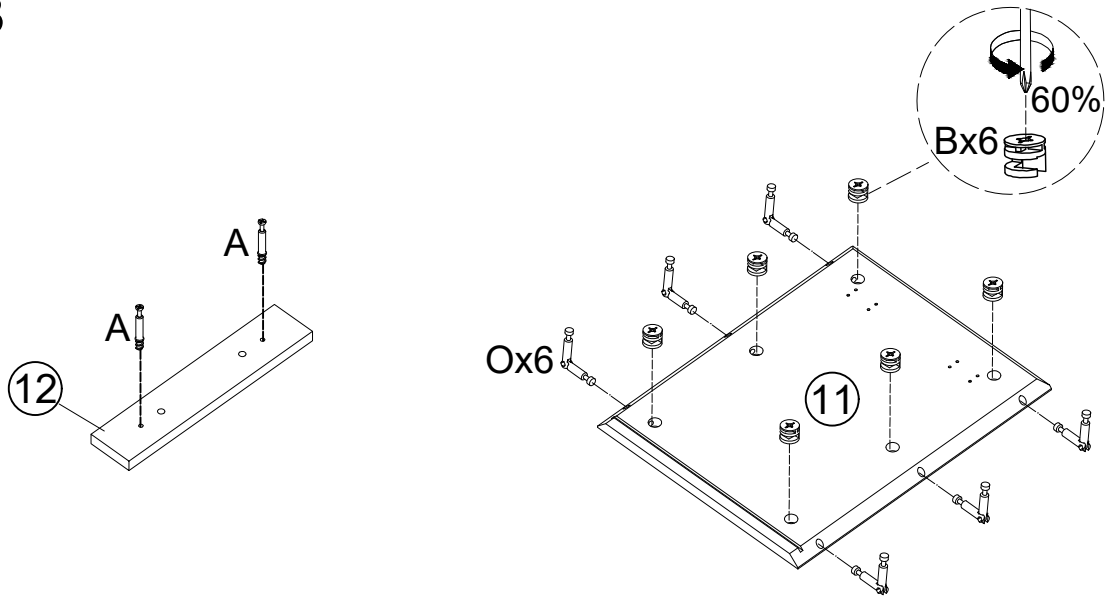
STEP 12

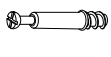

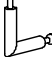


B	x4	C	x4	M	x4
					
Ø15mm		Φ8x30mm		Φ20mm	

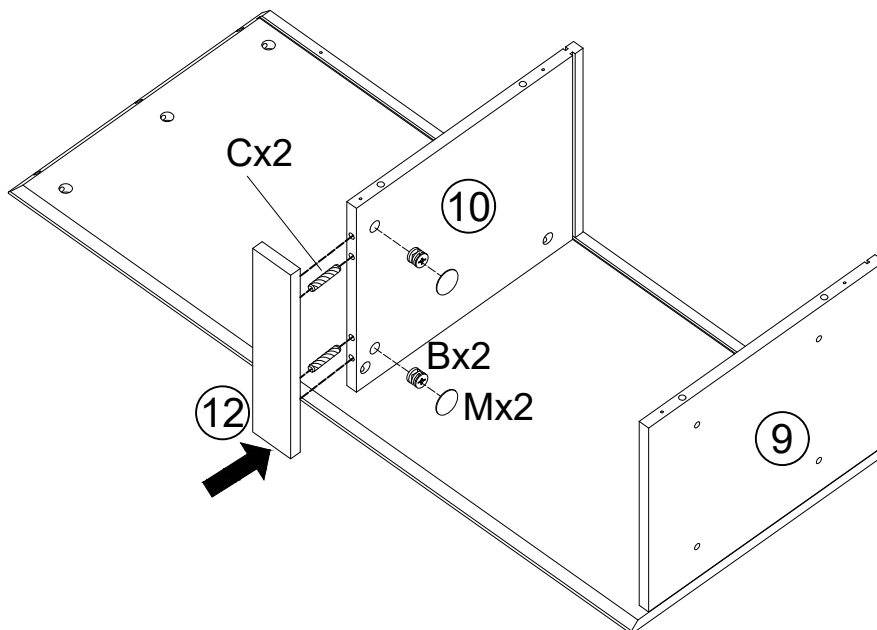
Assembly Instructions


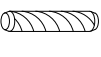

STEP 13



A	x2	B	x6	O	x6
					
M6x35mm		Ø15mm		M6x45mm	

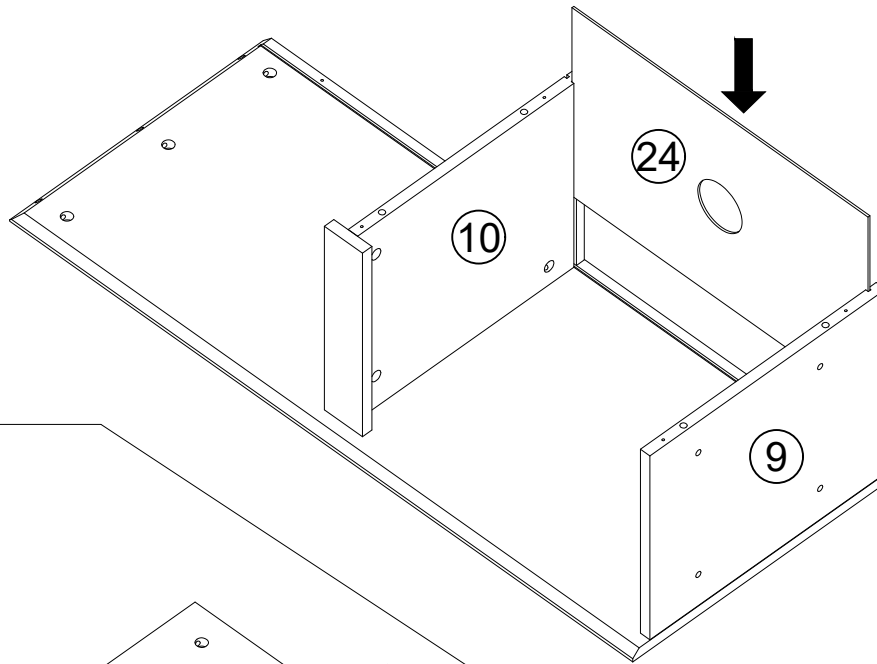
STEP 14



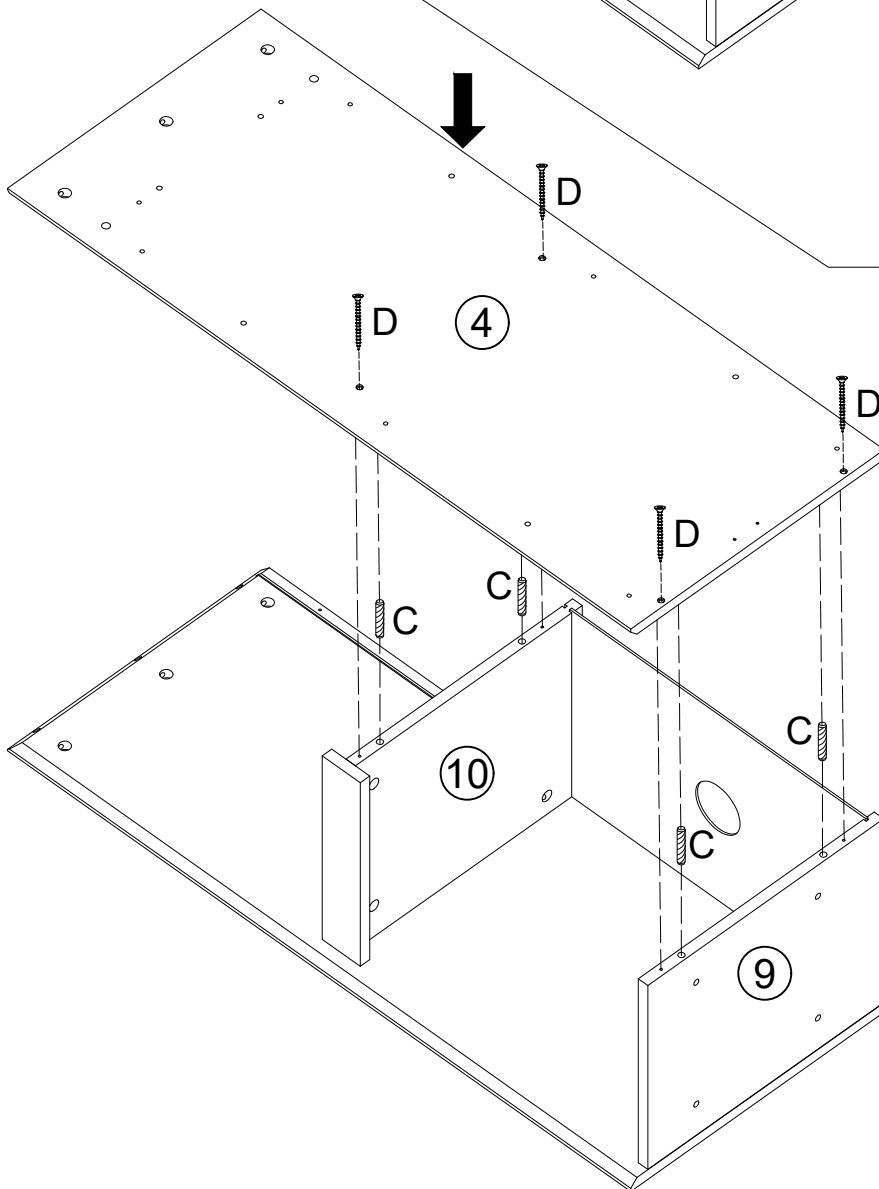
B	x2	C	x2	M	x2
					
Ø15mm		Ø8x30mm		Ø20mm	


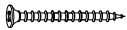
Assembly Instructions

STEP 15



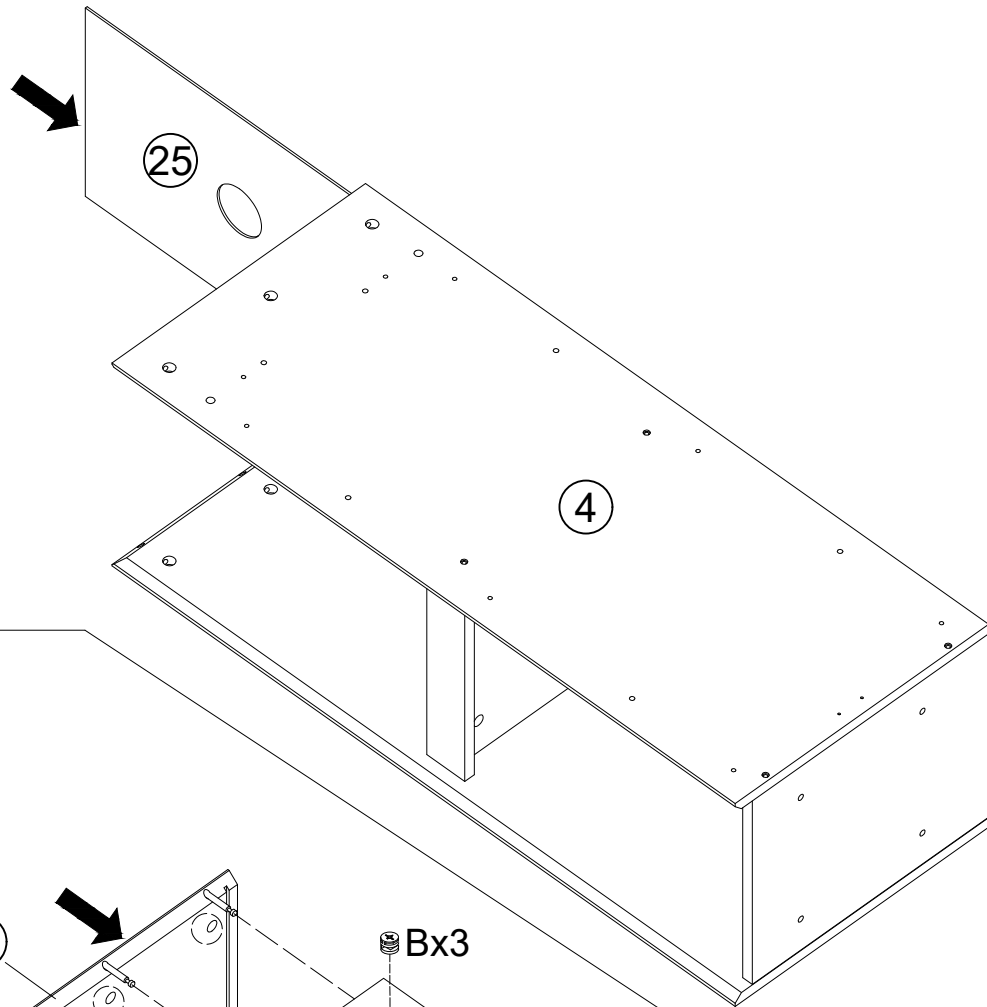
STEP 16



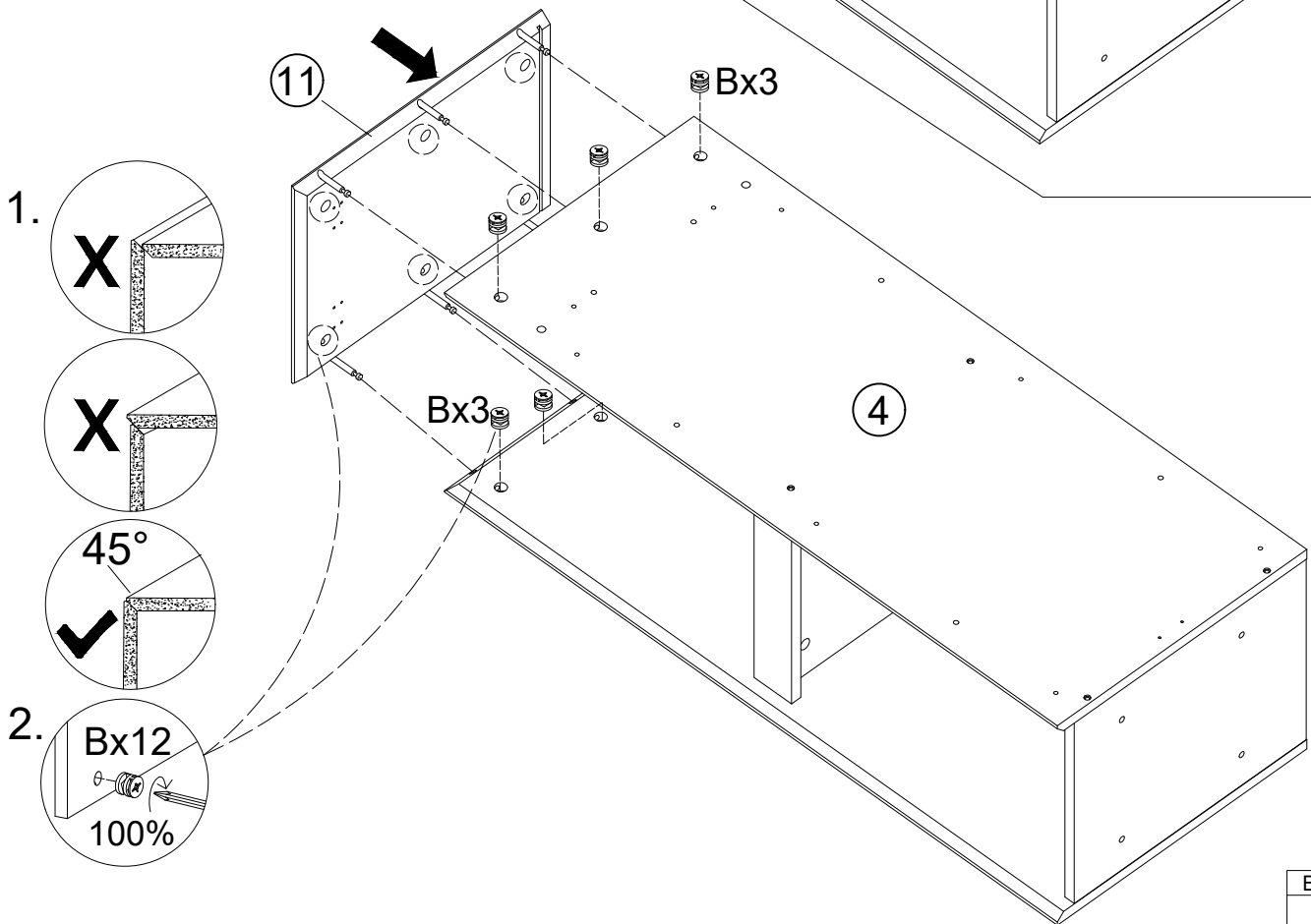
C	x4	D	x4
			
Φ8x30mm		M4x35mm	

Assembly Instructions

STEP 17



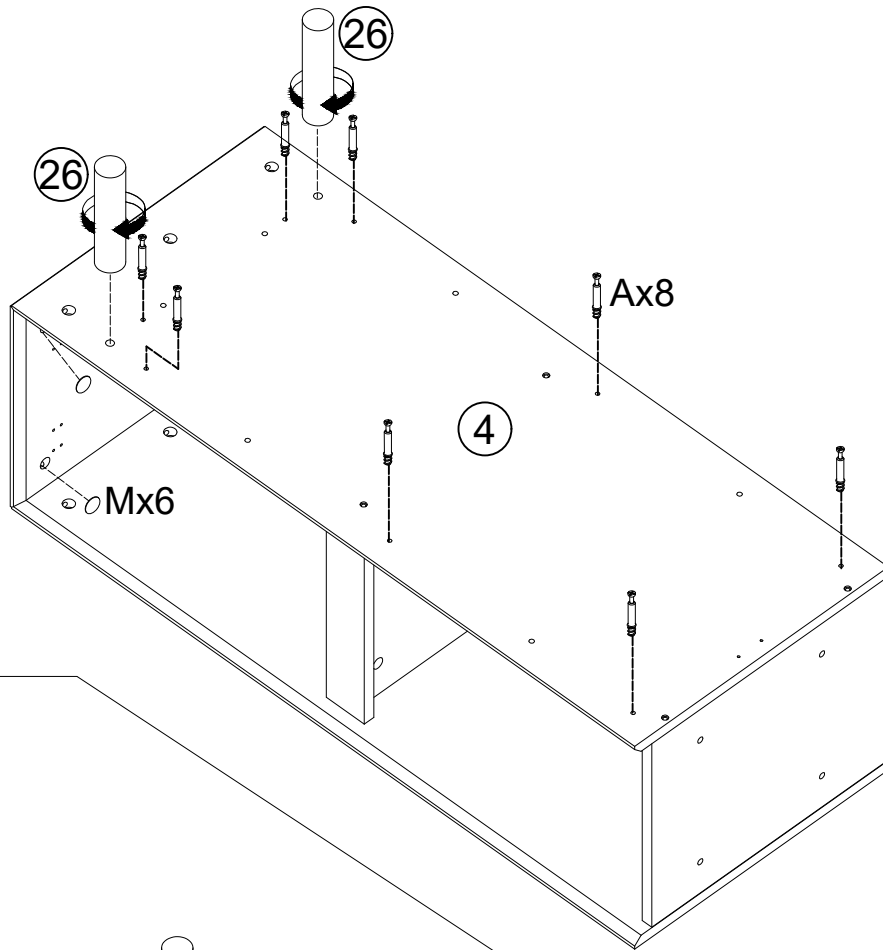
STEP 18



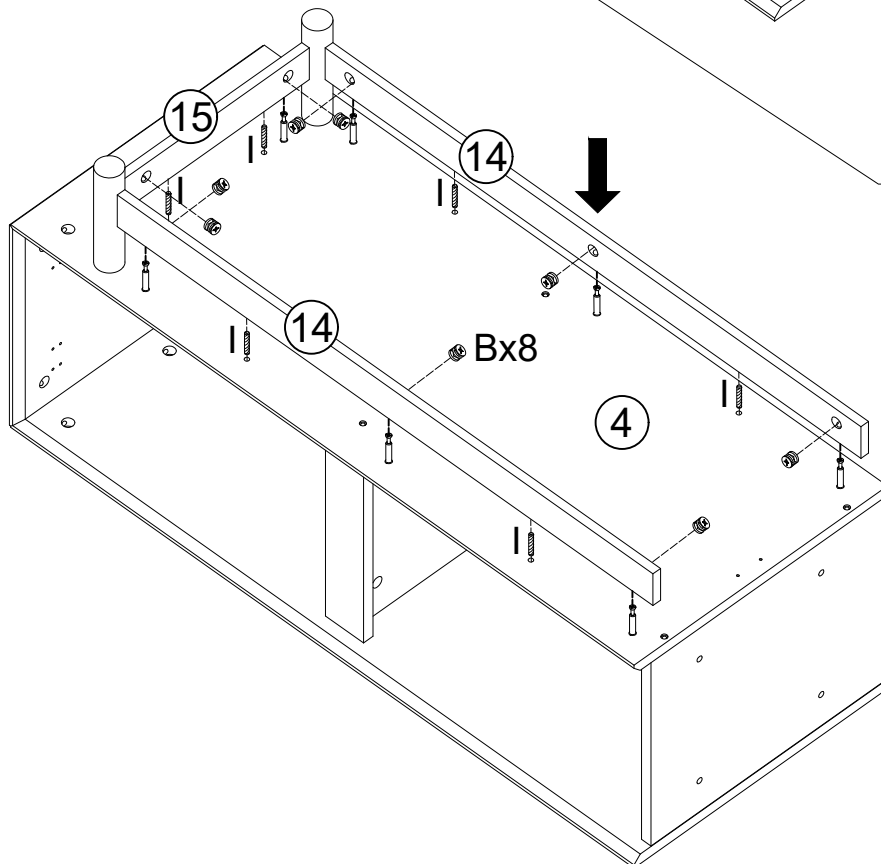
B	x6
Ø15mm	


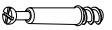
Assembly Instructions



STEP 19



STEP 20

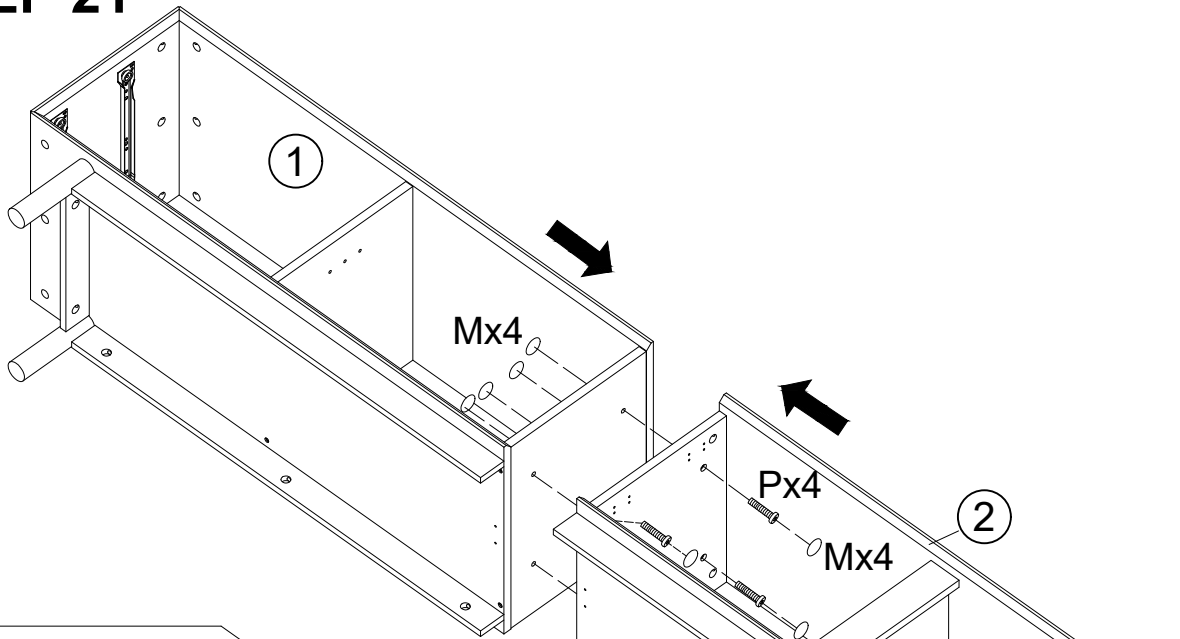


M	x6
	
φ20mm	
A	x8
	
M6x35mm	

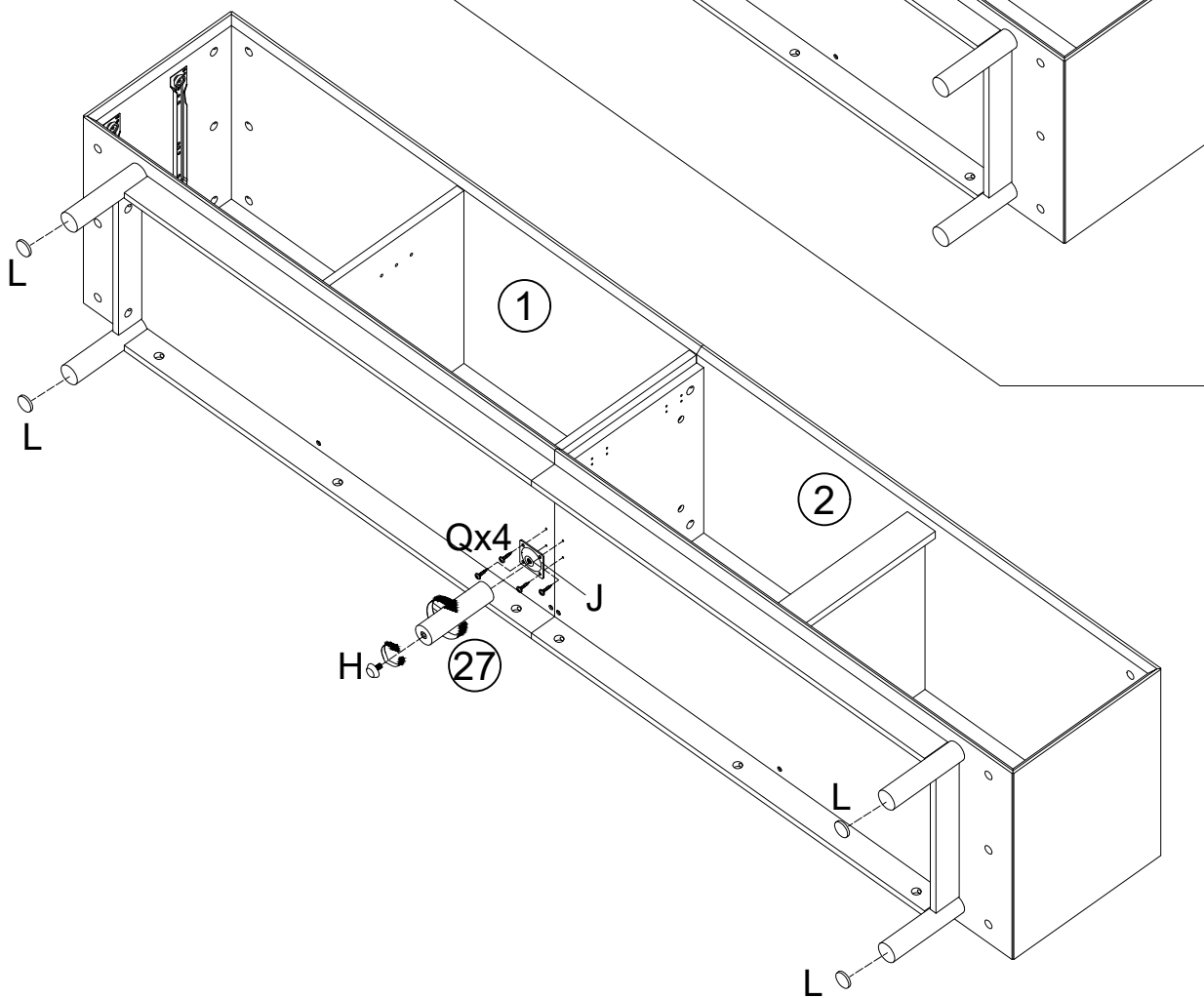
B	x8	I	x6
			
Ø15mm		Φ6x30mm	

Assembly Instructions

STEP 21



STEP 22

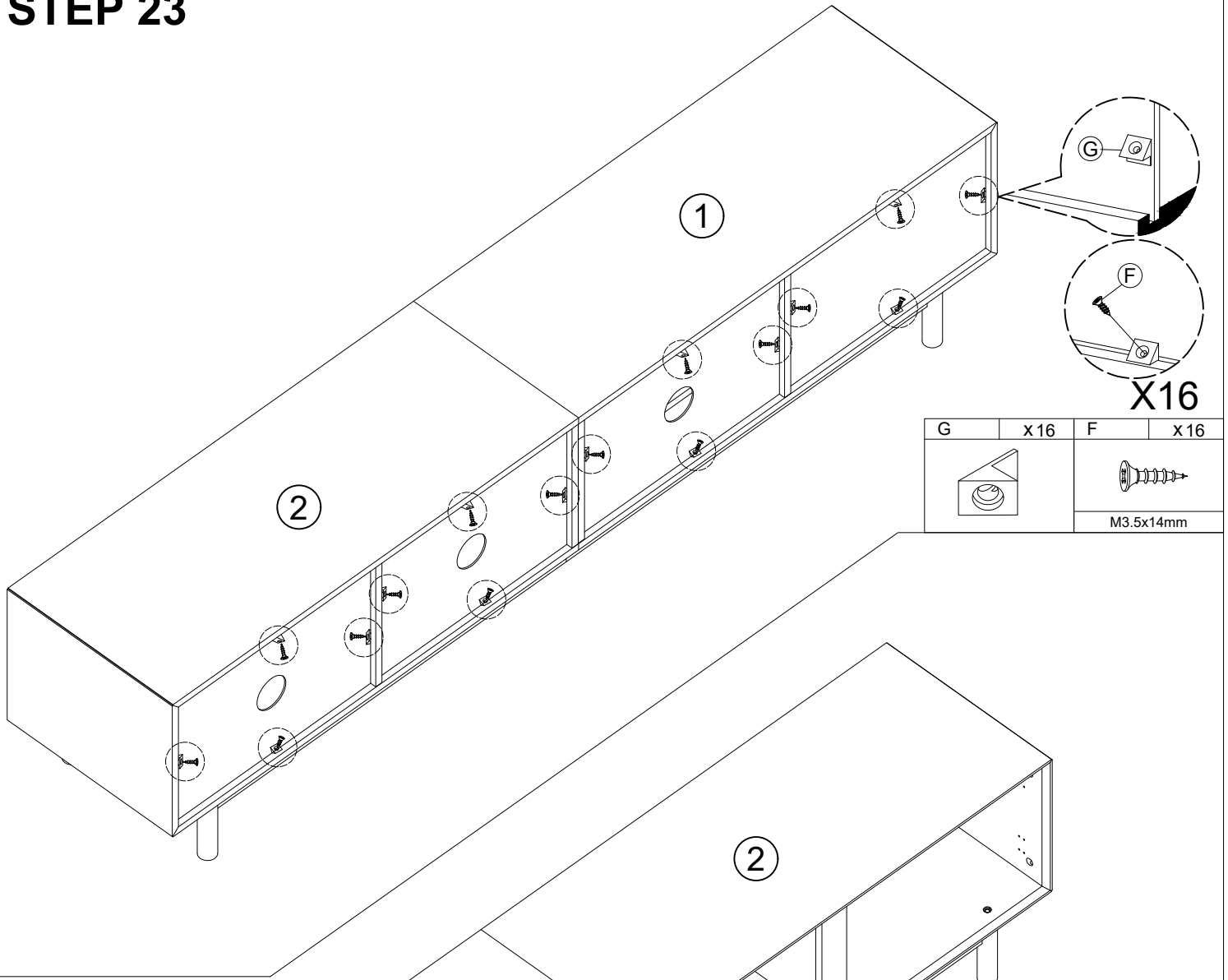


M	x8
Φ20mm	
P	x4
M6x20mm	
S	x1
4#	

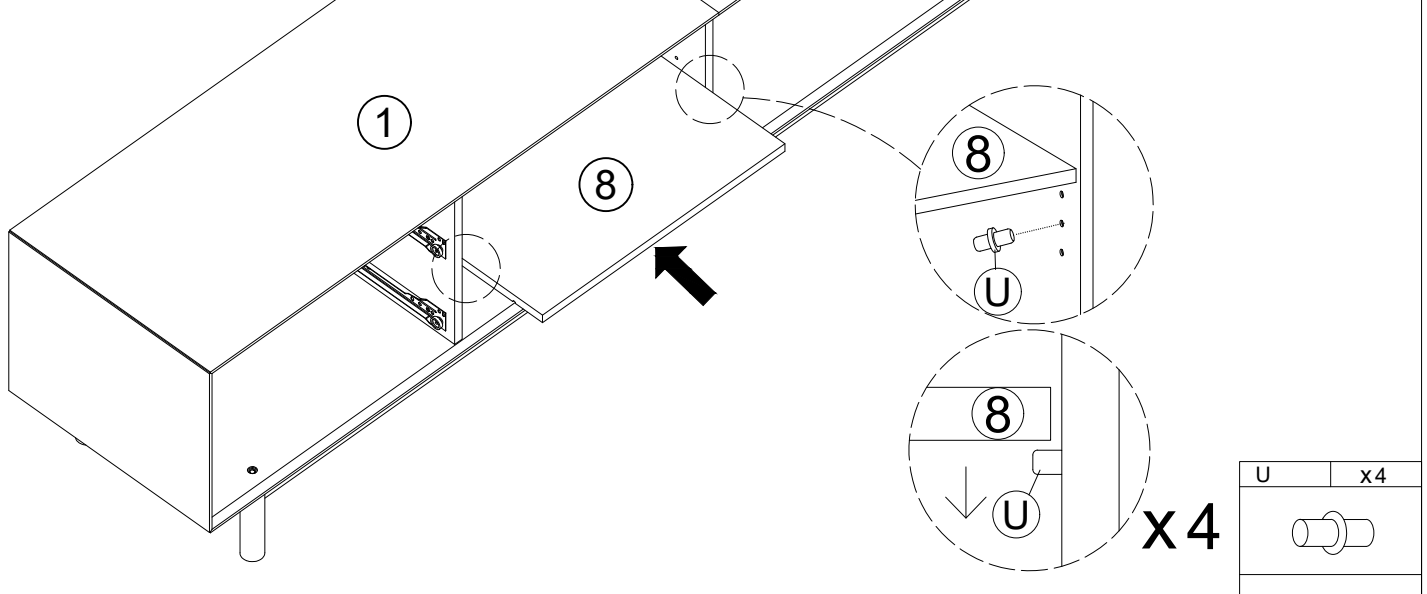
J	x1
H	x1
L	x4
EVA	
Q	x4
M4X14	

Assembly Instructions

STEP 23

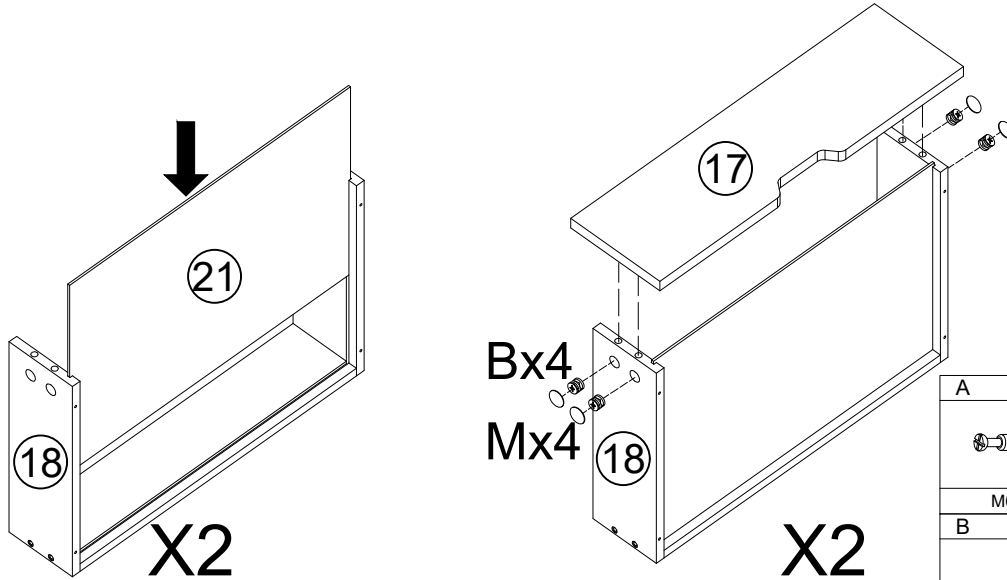
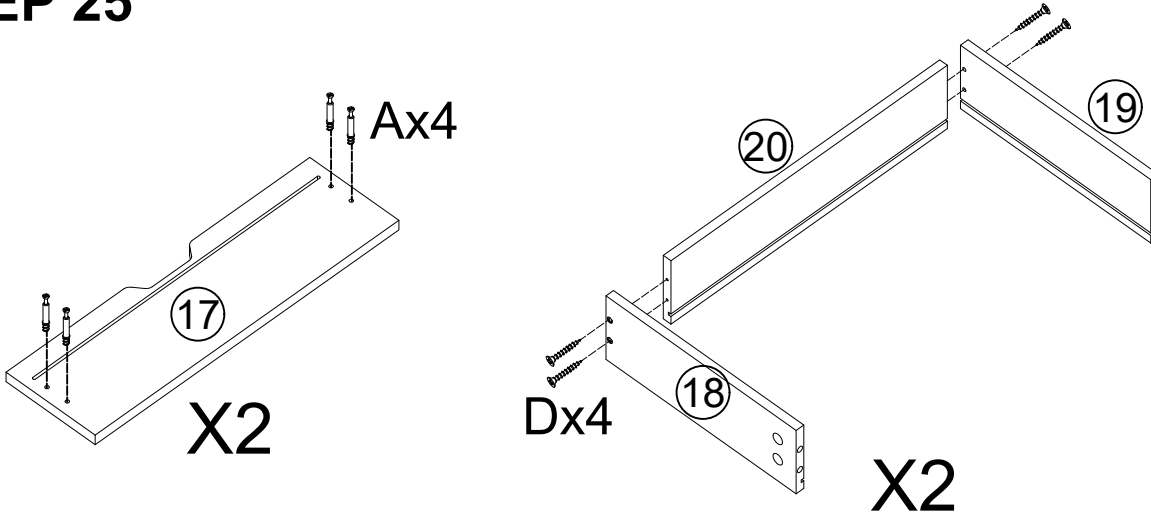


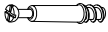
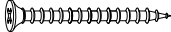


STEP 24



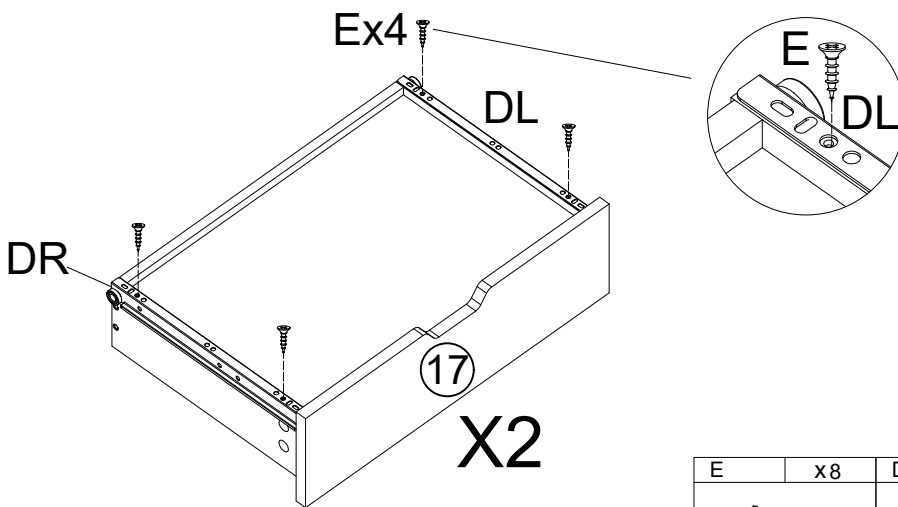
Assembly Instructions

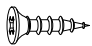


STEP 25



A	x 8	D	x 8
			
M6x35mm		M4x35mm	
B	x 8	M	x 8
			
Ø15mm		Φ20mm	

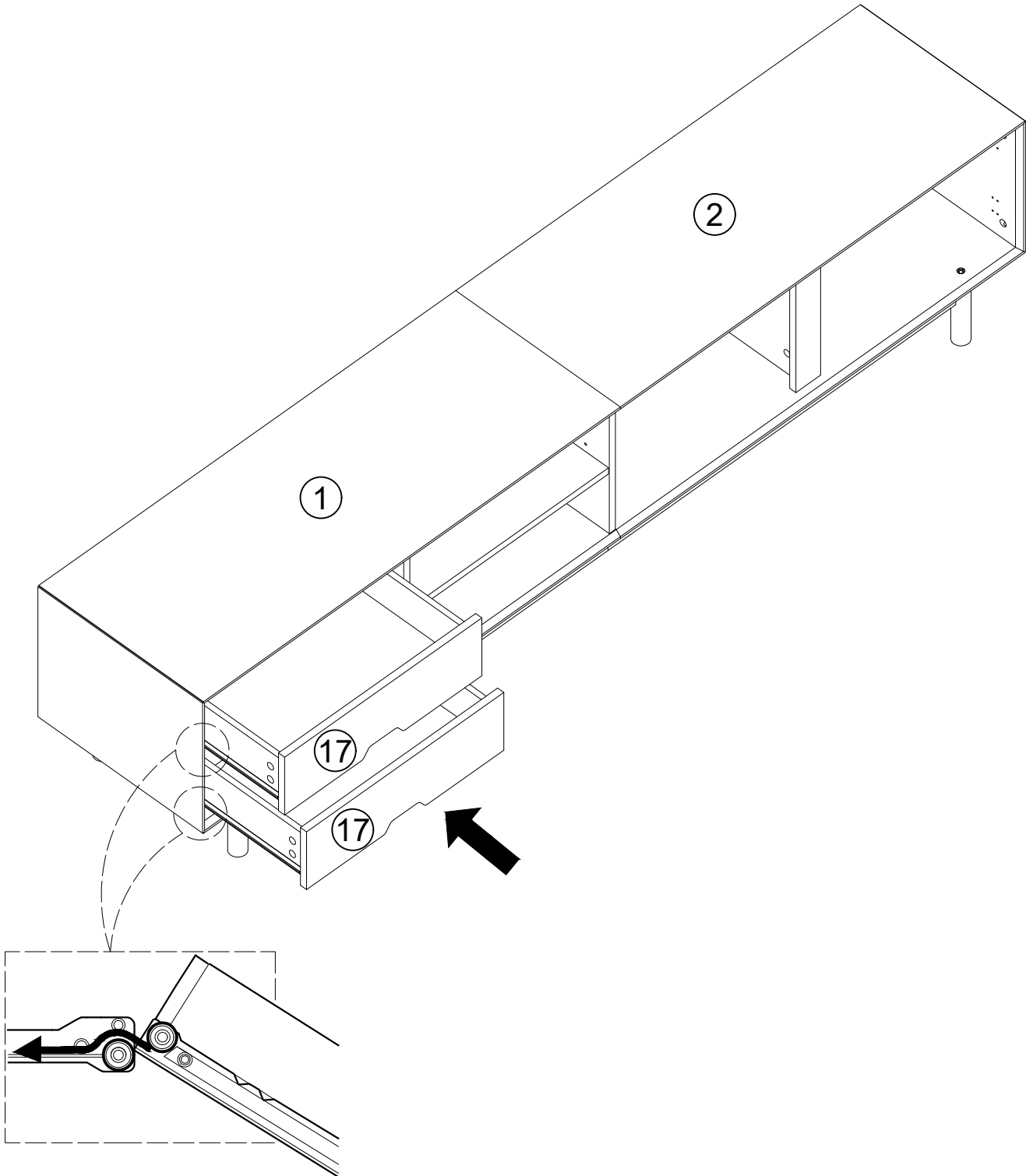
STEP 26



E	x 8	DL	x 2	DR	x 2
					
M3.5x14mm					

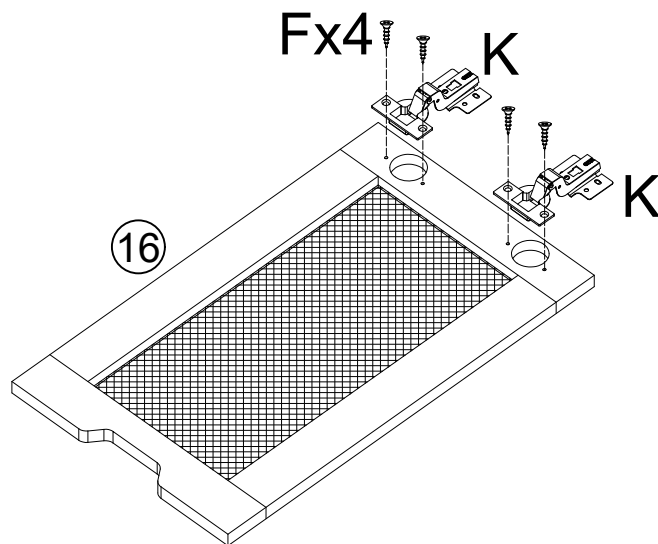
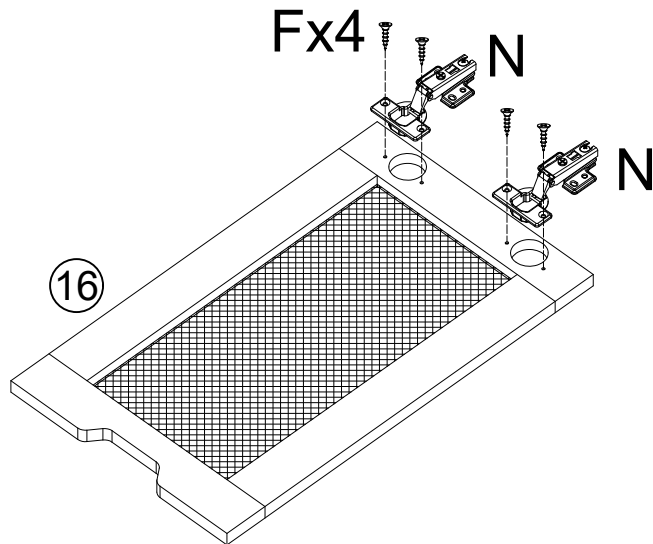
Assembly Instructions



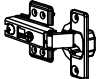
STEP 27



Assembly Instructions

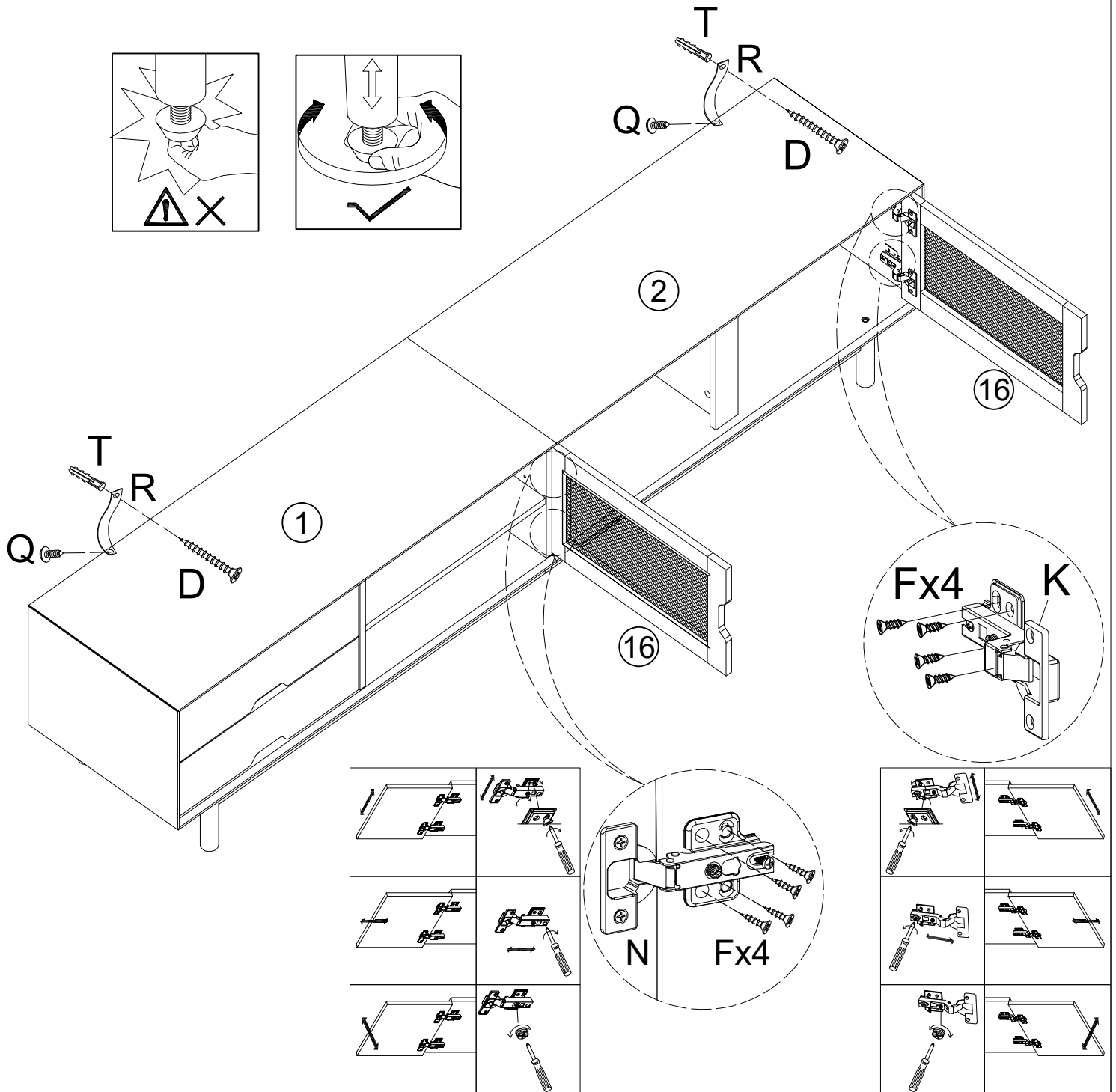
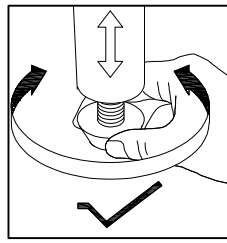
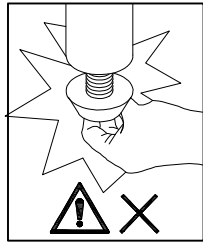
STEP 28

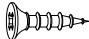
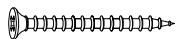

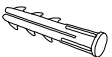
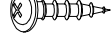


F	x8	K	x2	N	x2
					
M3.5x14mm					

Assembly Instructions

STEP 29



F	x16	D	x2	R	x2	T	x2	Q	x2
									
M3.5x14mm		M4x35mm						M4x14mm	