

ASSEMBLY INSTRUCTIONS

4 DRAWER CHEST

IMPORTANT: READ THESE INSTRUCTIONS CAREFULLY BEFORE ASSEMBLING OR USING YOUR 4 DRAWER CHEST.

PLEASE KEEP THESE INSTRUCTIONS FOR FUTURE REFERENCE.

HEALTH & SAFETY:

DO NOT use this item if any parts are missing, damaged or worn.

DO NOT use this item unless all fixings are secured.

Please keep small parts out of reach of children.

Always use on a level, even surface.

It is recommended that two people handle and assemble the item.

Advise you use the wall straps provided to further enhance the safety of this product. **CARE &**

MAINTENANCE:

Assemble in the room of use.

To avoid damages assemble the item on a soft, clean surface

Periodically check all screws & fixings to ensure they are secure.

DO NOT push the item as this will damage the base.

Always lift the item with two people to reposition.

Keep any sharp objects away from the item.

This product is manufactured in pine which is a wood with natural characteristics including knots, grains, clusters or indentations.

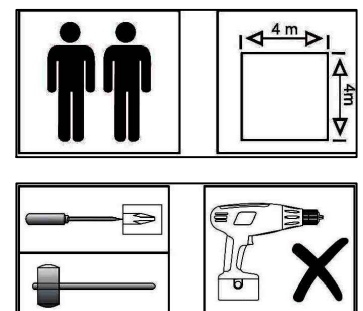
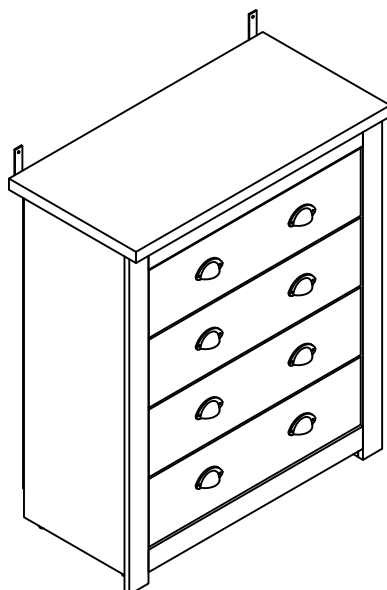
On unpacking the item you may notice an odour due to production processes but this will disappear after a period of time.

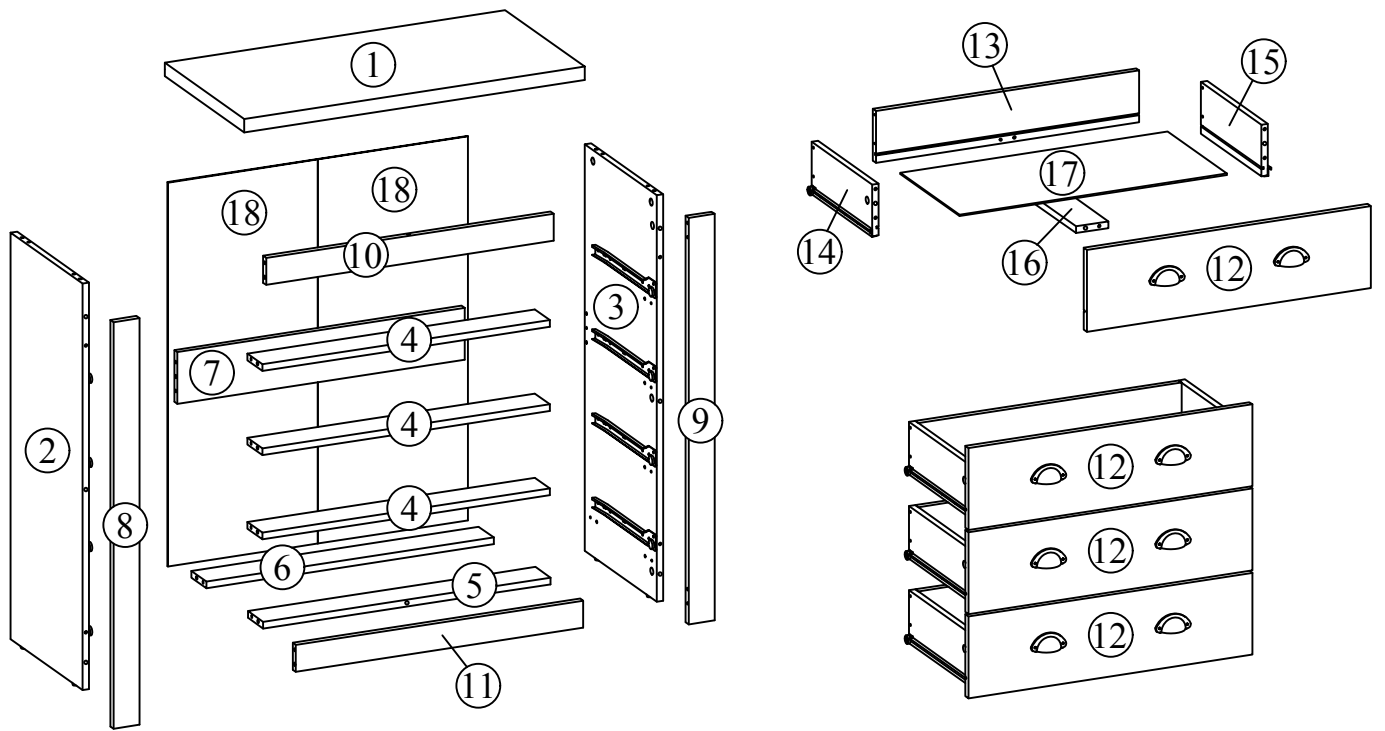
DO NOT place the item next to a radiator or direct sunlight - this item is susceptible to temperature change. It is recommended an even room temperature be maintained with no sudden fluctuations.

DO NOT place hot or cold items directly onto the surface of the item as marking will occur

For general cleaning use a duster or damp cloth (almost dry) not wet - do not use soap and water, detergents, aerosol sprays or any polish as use of these materials would invalidate any claims.

DO NOT place the item onto wet or damp flooring as staining may occur to the floor.








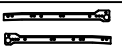










PARTS LIST

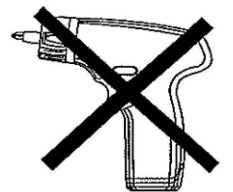
Carton 1 of 1:

Part	Description	Qty
1	Top Panel	1
2	Left Panel	1
3	Right Panel	1
4	Front Support Panel	3
5	Bottom Front Panel	1
6	Bottom Back Panel	1
7	Back Support Panel	1
8	Left Front Post Panel	1
9	Right Front Post Panel	1
10	Top Front Post Panel	1
11	Bottom Front Post Panel	1
12	Drawer Front Panel	4
13	Drawer Back Panel	4
14	Drawer Left Panel	4
15	Drawer Right Panel	4
16	Drawer Support Panel	4
17	Drawer Bottom Panel	4
18	Back Panel	2

HARDWARE LIST: Carton 1 of 1

Part	Description	Qty
A	CAM NUT 15mm 	40
B	CAM BOLT 	40
C	WOOD DOWEL M6 x 25mm 	50
D	CSK SCREW M4 x 38mm 	20
E	CSK SCREW M3.5 x 12mm 	48
F	METAL RUNNER TRUCK 12" 	4
G	METAL RUNNER 12" 	4
H	PVC NAIL 	4
I	NAIL 	35
J	PAN HEAD SCREW M3.5 x 12mm 	16
K	TXM MOON HANDLE 	8
L	WASHER 	4
M	ANTI TIP STRAP 	2
N	CSK SCREW M4 x 20mm 	4

** You will need a screwdriver and a small mallet (NOT provided)

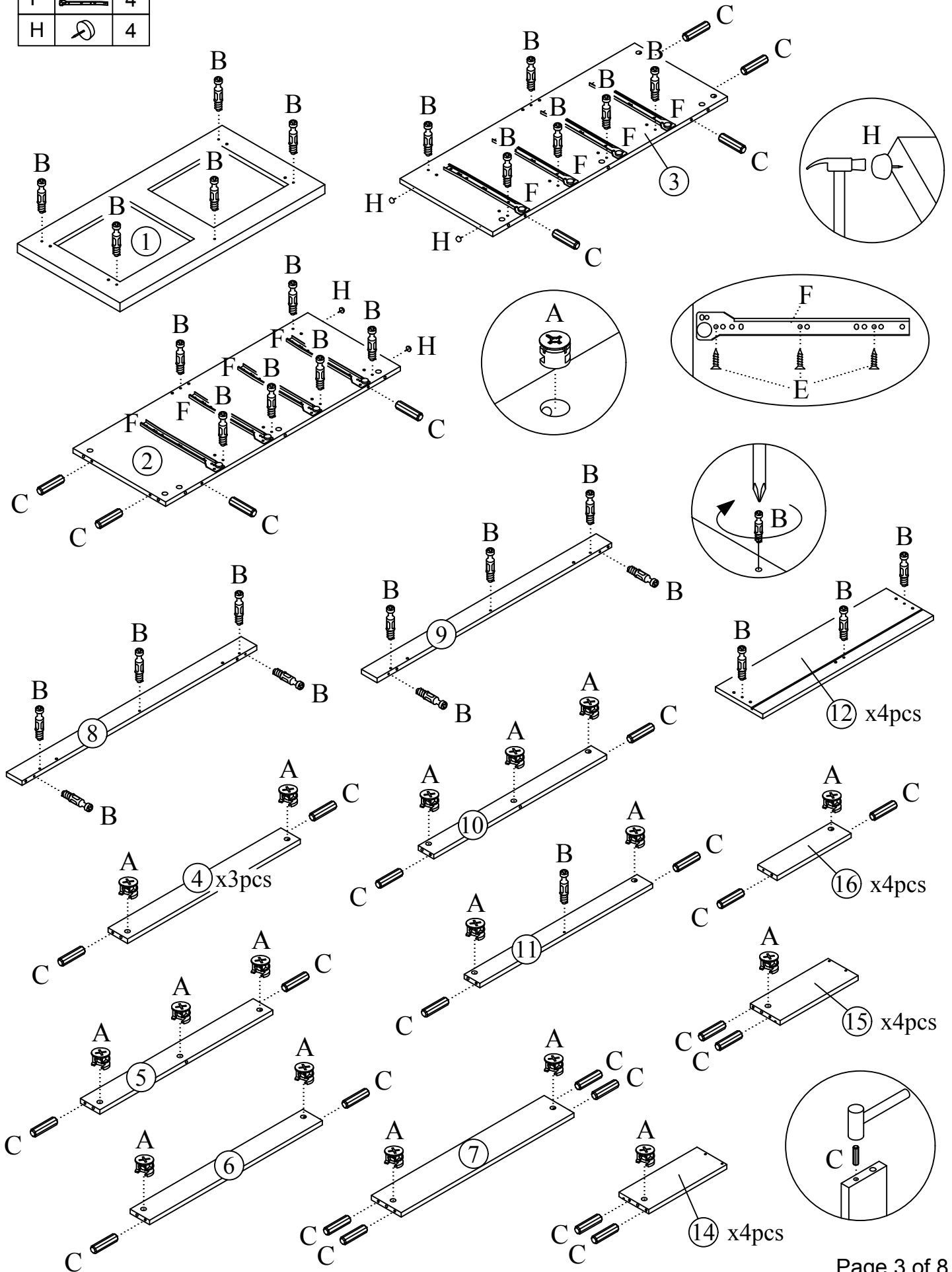


** WARNING: THE USE OF POWER TOOLS TO ASSEMBLE THIS PRODUCT WILL INVALIDATE ANY CLAIM AND MAY DAMAGE THIS PRODUCT MAKING IT UNSAFE.

1

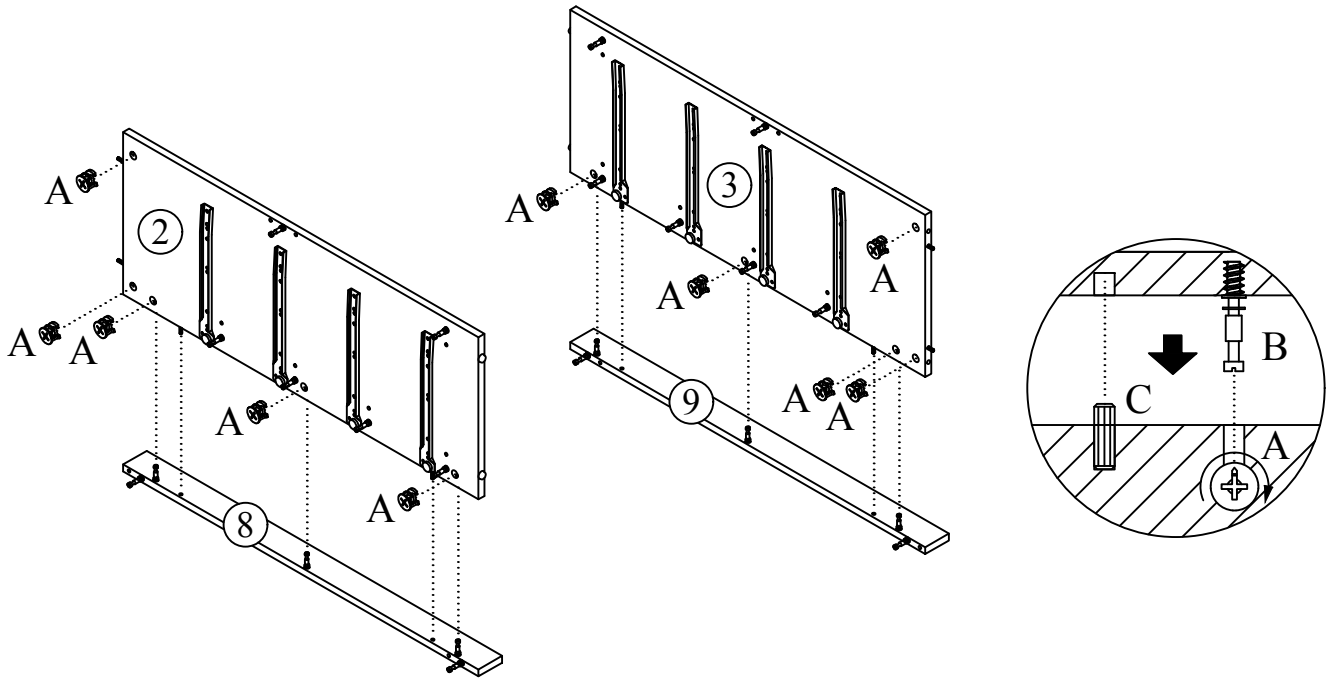
A		30
B		40
C		50
E		24
F		4
H		4

Insert hardware part A & part B using a screwdriver (not provided). Insert hardware part C using a small mallet (not provided). Insert hardware part H using a small mallet (not provided). Attach hardware F with screw E using screwdriver (not provided). DO NOT use any power tools as this may damage the frame and will invalidate any claim.



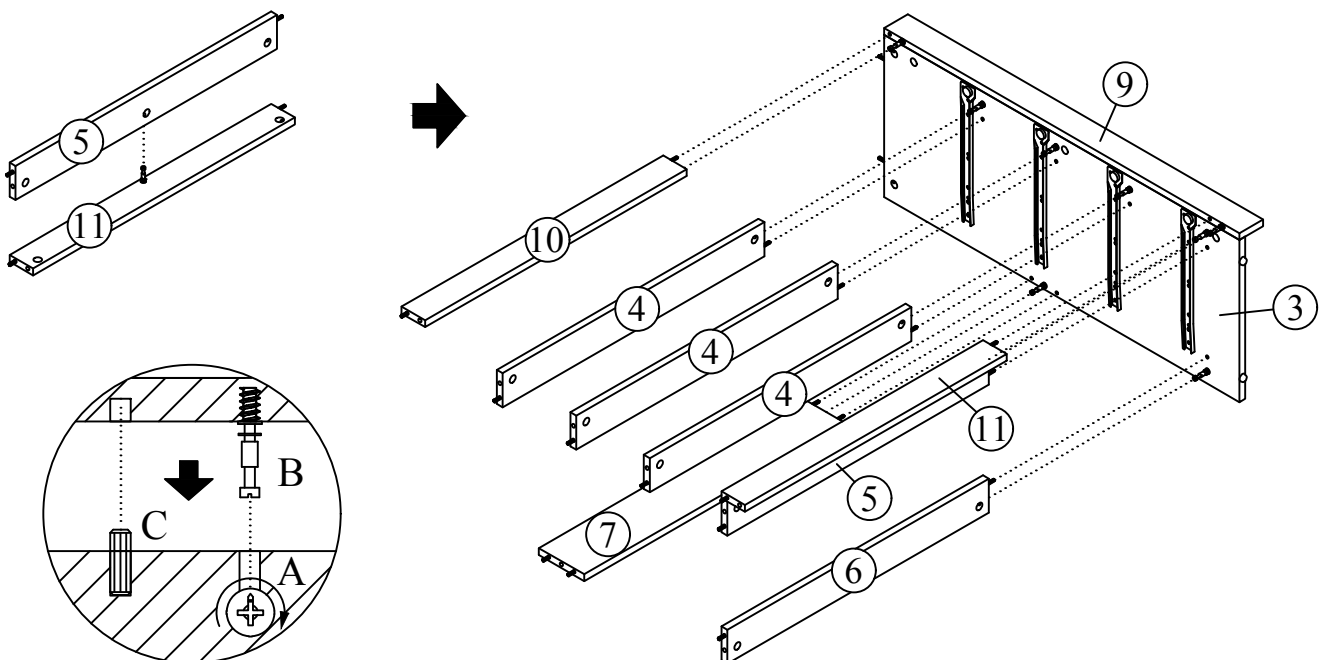
2 A  10

Attach the Left Front Post Panel (8) to Left Panel (2) and Right Front Post Panel (9) to Right Panel (3) by screwdriver (not provided).
DO NOT use any power tools as this may damage the frame and will invalidate any claim.



3

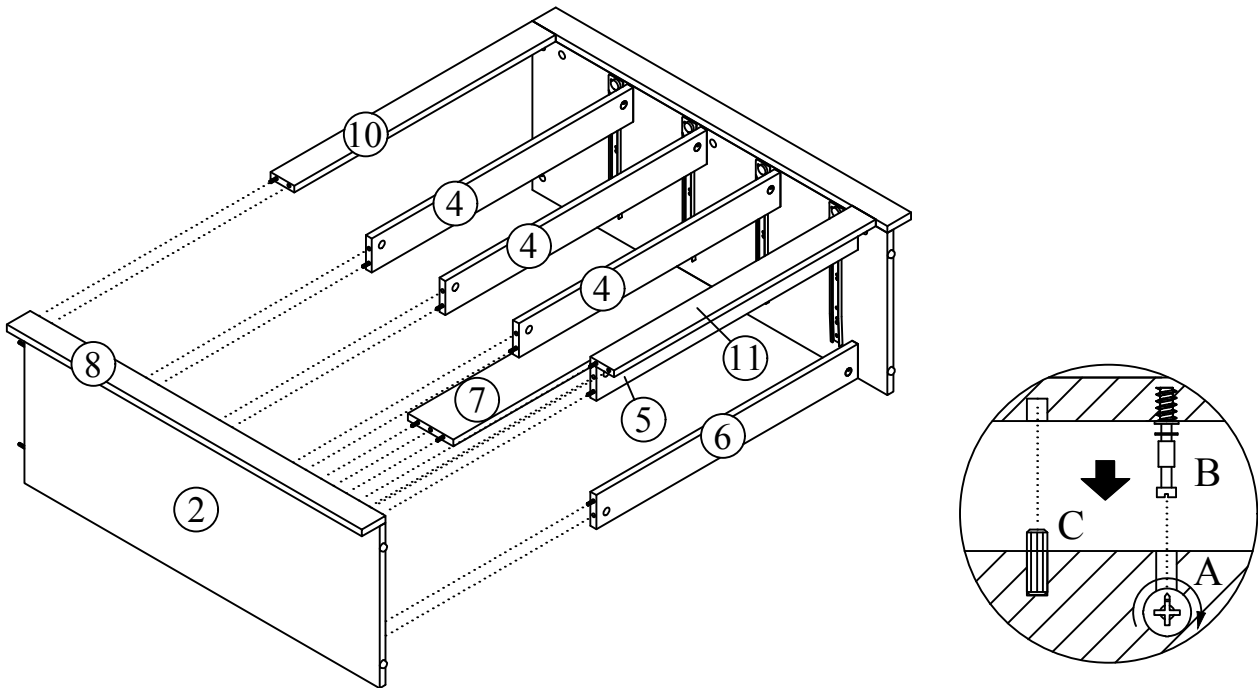
Attach the Front Support Panel (4) and Bottom Front Panel (5) and Bottom Back Panel (6) and Back Support Panel (7) and Top Front Post Panel (10) and Bottom Front Post Panel (11) to Right Panel (3) and Right Front Post Panel (9) by screwdriver (not provided).
DO NOT use any power tools as this may damage the frame and will invalidate any claim.



4

Attach the Front Support Panel (4) and Bottom Front Panel (5) and Bottom Back Panel (6) and Back Support Panel (7) and Top Front Post Panel (10) and Bottom Front Post Panel (11) to Left Panel (2) and Left Front Post Panel (8) by screwdriver (not provided).

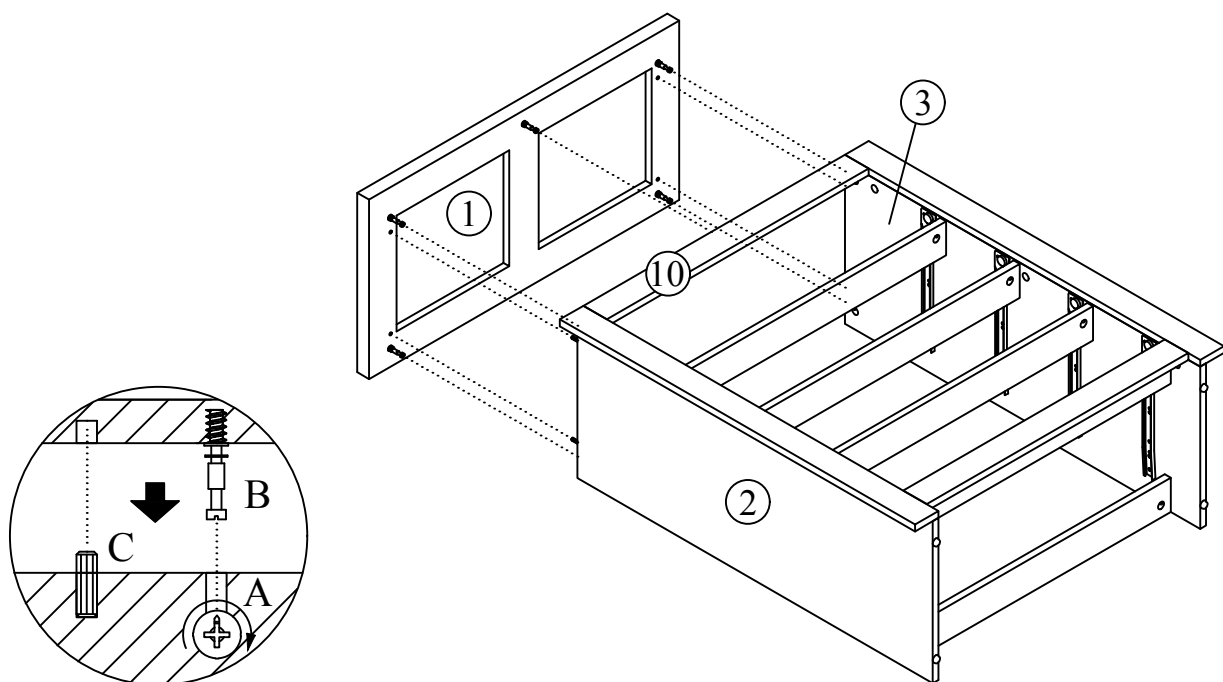
DO NOT use any power tools as this may damage the frame and will invalidate any claim.



5

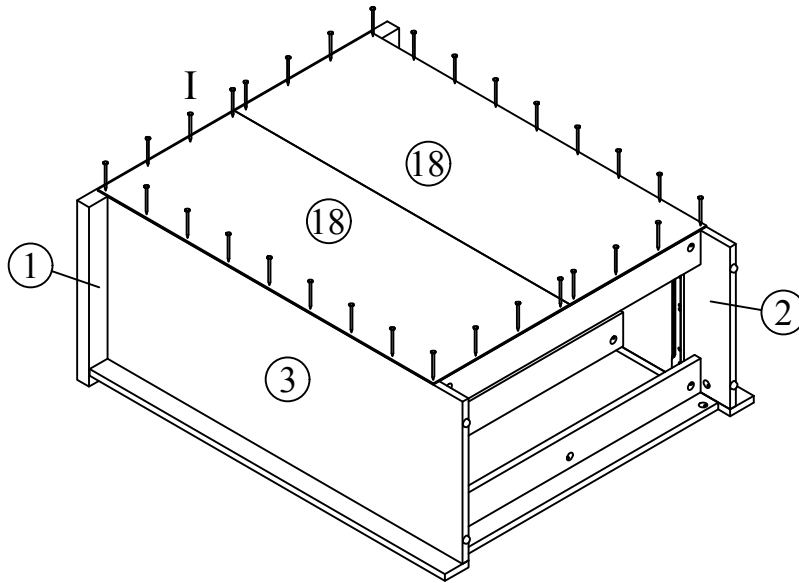
Attach the Top Panel (1) to Left Panel (2) and Right Panel (3) and Top Front Post Panel (10) by screwdriver (not provided).

DO NOT use any power tools as this may damage the frame and will invalidate any claim.



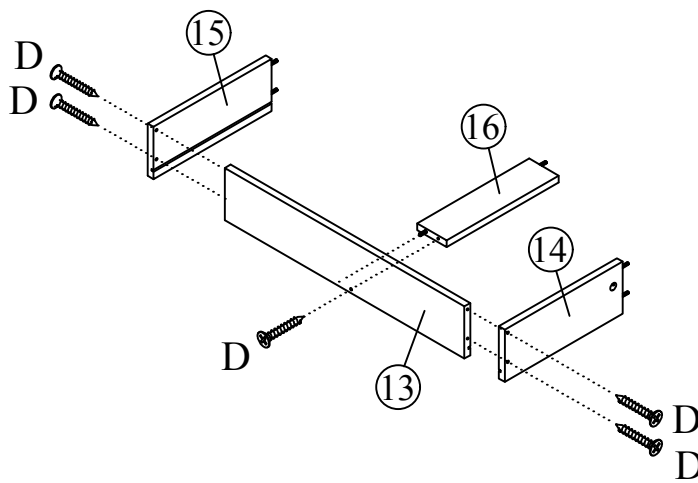
6 | I | 35

Attach the Back Panel (18) with Nail (I) by small mallet (not provided).
DO NOT use any power tools as this may damage the frame and will invalidate any claim.





7 | D | 20

Attach the Drawer Left Panel (14) and Drawer Right Panel (15) and Drawer Support Panel (16) to Drawer Back Panel (13) with Screw (D) by screwdriver (not provided).
DO NOT use any power tools as this may damage the frame and will invalidate any claim.



x 4 SETS

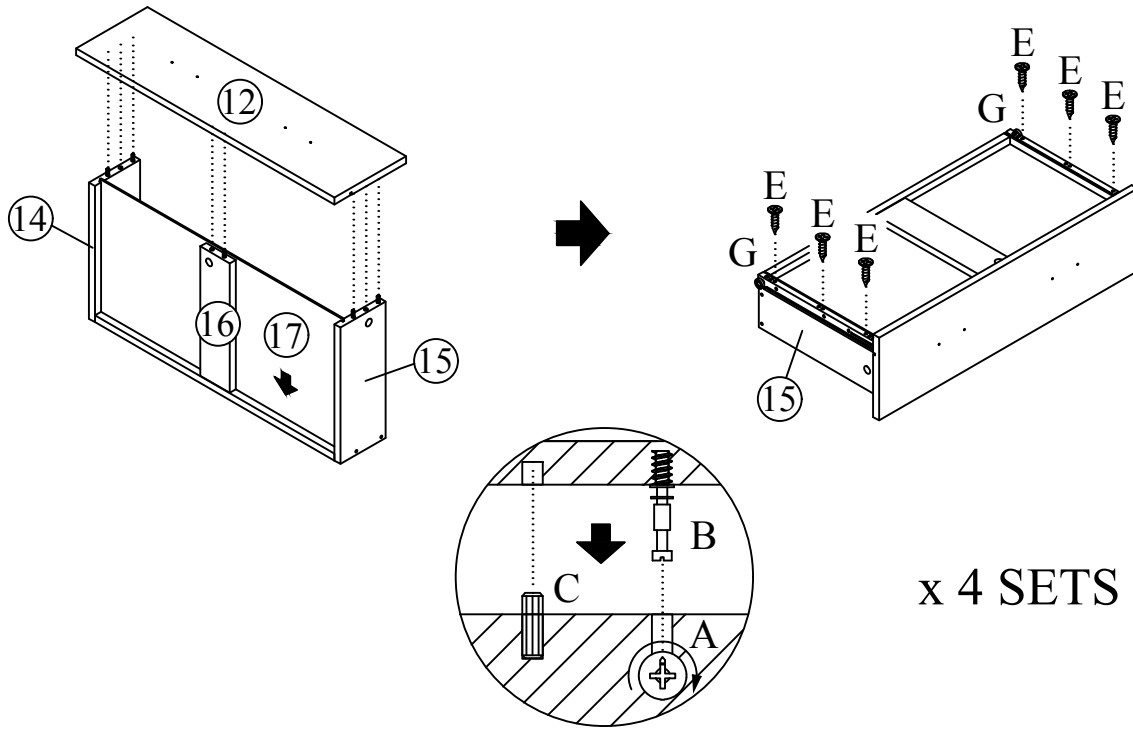
8

E		24
G		4



Insert Drawer Bottom Panel (17) as shown and fix Drawer Front Panel (12) by screwdriver (not provided).

Fix hardware (G) onto the Drawer Left Panel (14) and Drawer Right Panel (15) using Screw (E) by screwdriver (not provided).

DO NOT use any power tools as this may damage the frame and will invalidate any claim.

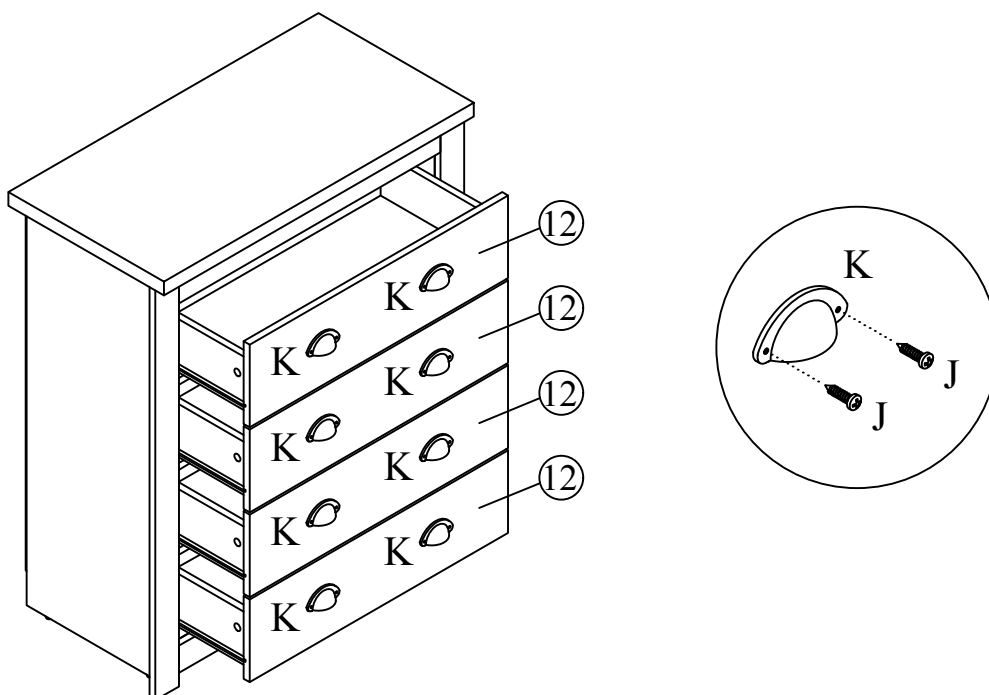


9


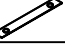

J		16
K		8

Fix Handle (K) using Screw (J) onto Drawer Front Panel (12) by screwdriver (not provided).

DO NOT use any power tools as this may damage the frame and will invalidate any claim.



10

L		4
M		2
N		4

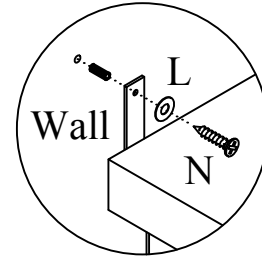
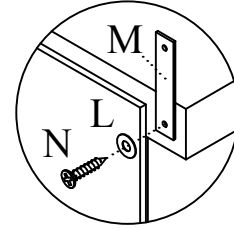
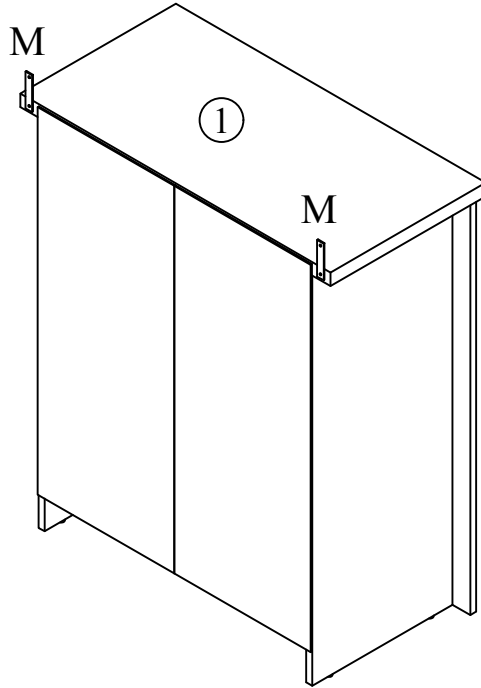
Fix hardware (M) with hardware (L) and Screw (N) on the back side of Top Panel (1) by screwdriver (not provided).

Attach hardware (M) to the wall with hardware (L) and Screw (N) by screwdriver (not provided).

-Make sure it is firmly attached and make sure it is snug fit

- Seek advice from a qualified trade person on how to attach this safety strap to your specific wall.

DO NOT use any power tools as this may damage the frame and will invalidate any claim.



11

