

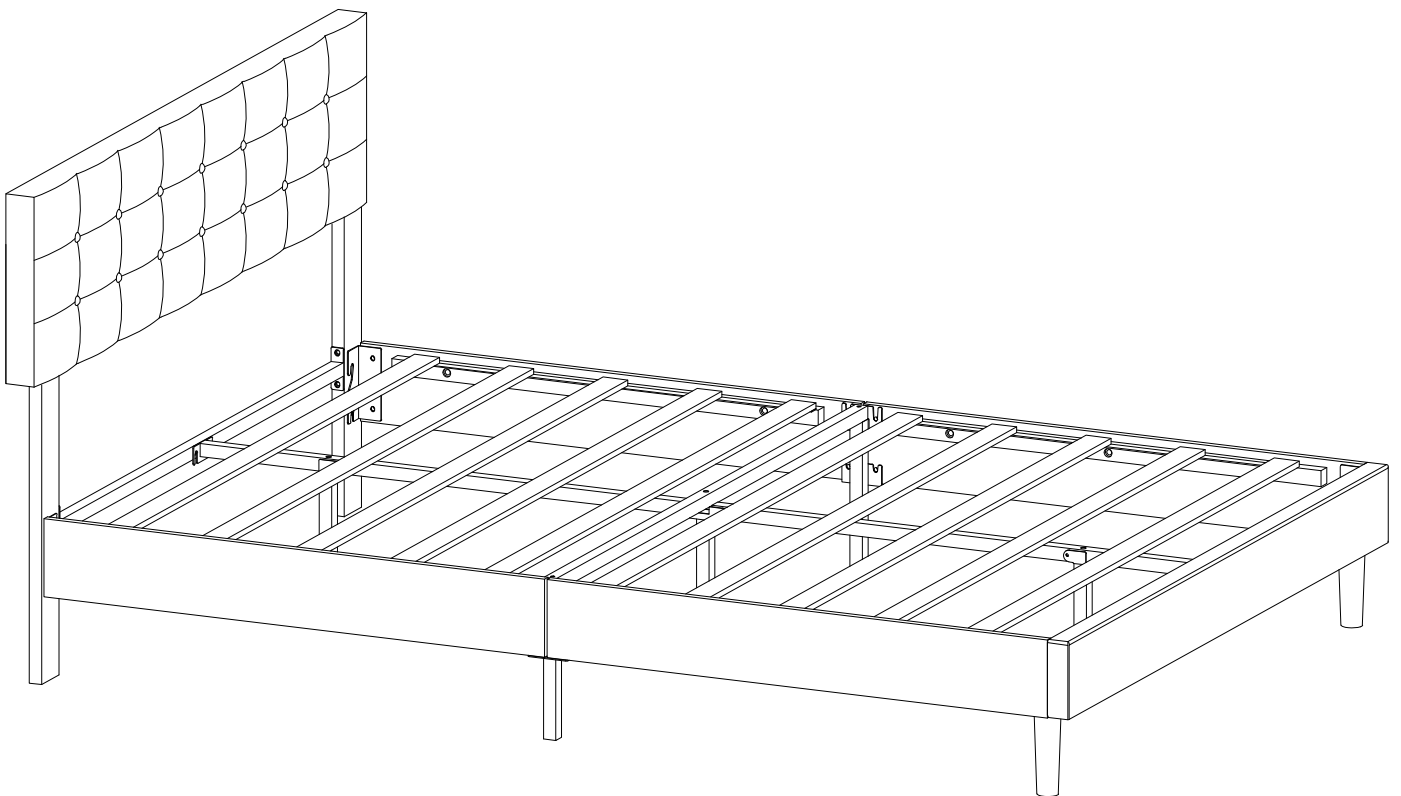
ASSEMBLY INSTRUCTION

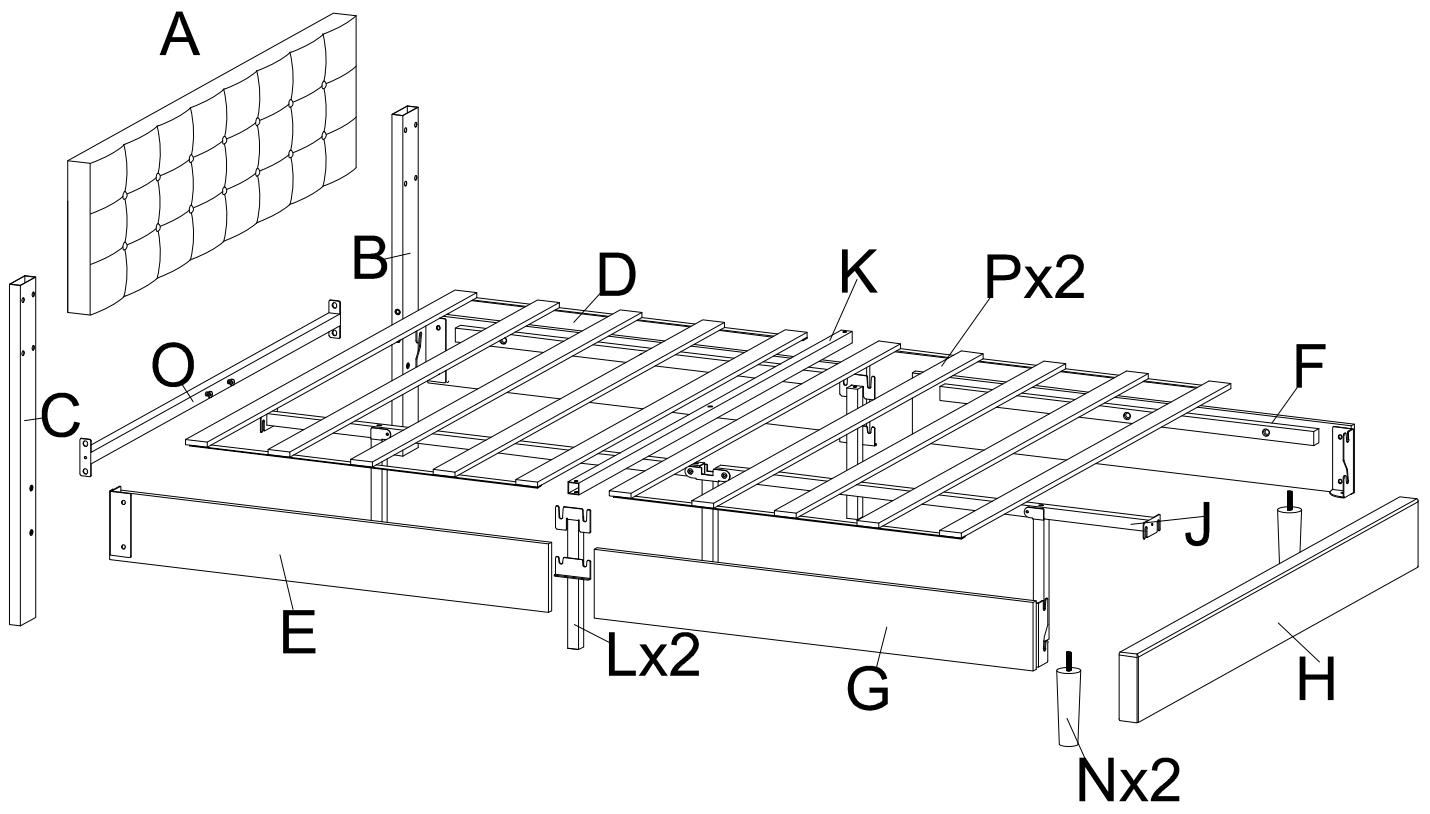
NOTES:

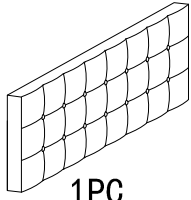
- Do not skip any step.
- Do not fully tight screws until all the bed parts are assembled.

WARNING:

- WARNIND FOR YOUNG CHILDREN-This product contains small components,please ensure that they are kept away from small children while assembling.



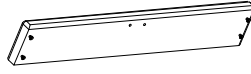


A

1PC

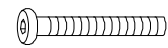
H

Comes with four (gg) screws



1PC

aa



M8x50

1

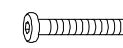
bb



M8x40

10

dd



M6x35

2

ee



5mm

1

ff



M8x15

4

gg

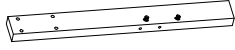


M8x25

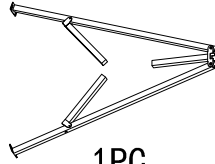
2

B

Comes with two (ff) screws



1PC

J

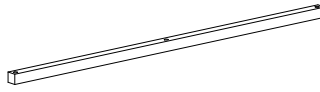
1PC

C

Comes with two (ff) screws



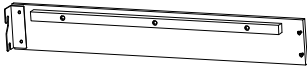
1PC

K

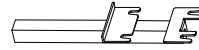
1PC

D

Comes with two (ff) screws



1PC

L

2PCS

ii



1

E

Comes with two (ff) screws



1PC

N

2PCS

F

Comes with two (ff) screws



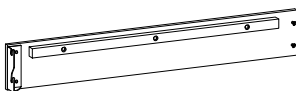
1PC

O

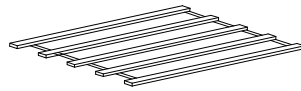
1PC

G

Comes with two (ff) screws



1PC

P

2PCS

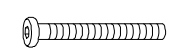
SPARE

aa



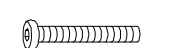
1

bb



1

dd



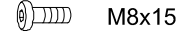
1

gg

M8x25
Screws on the board

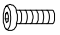

2

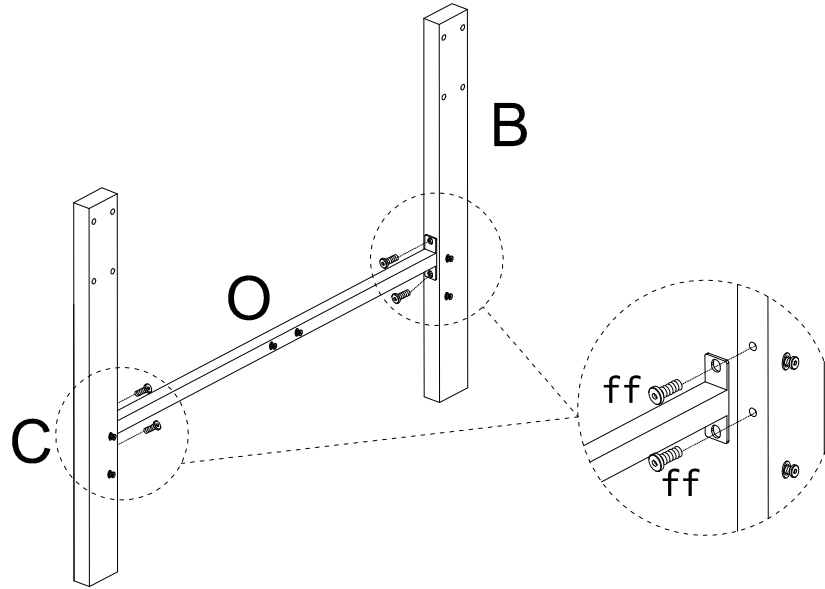
ff

M8x15
Screws on the board

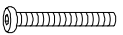

3

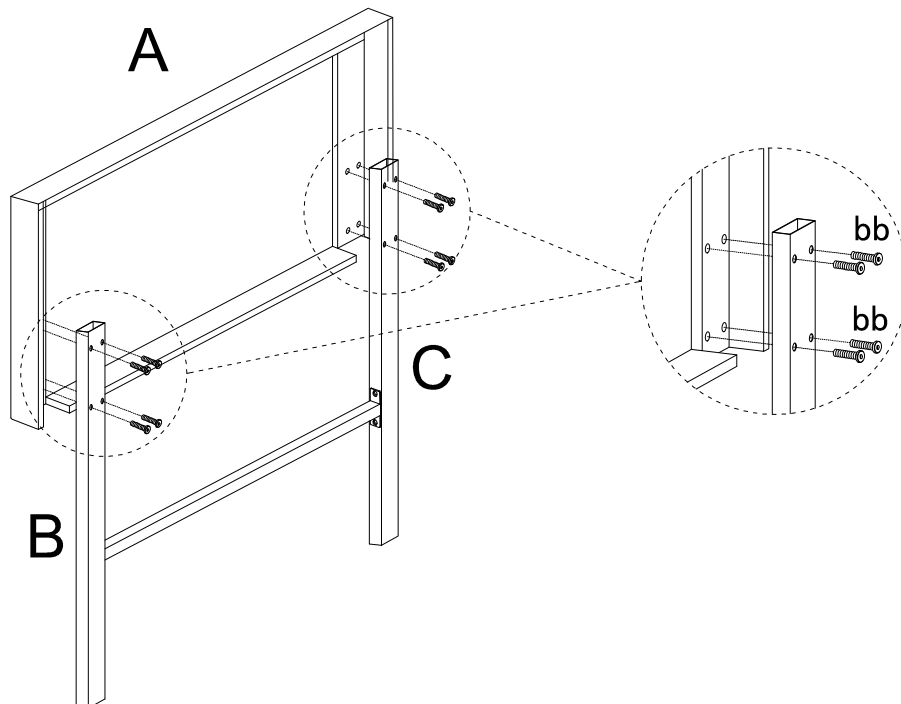
Step 1

ff		M8x15	4
ee		5mm	1

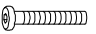



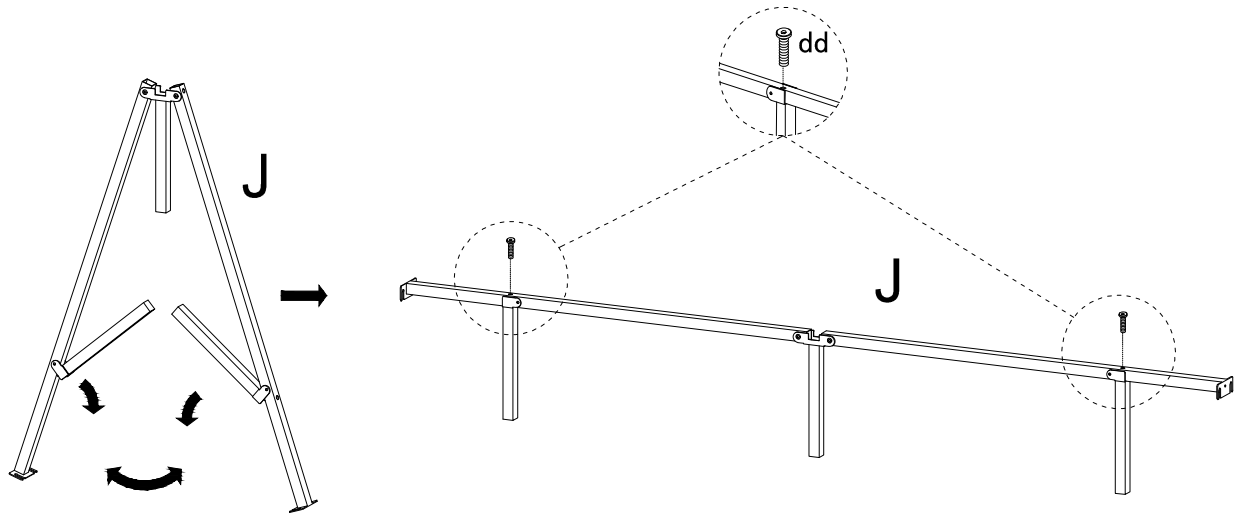
Step 2

bb		M8x40	8
ee		5mm	1

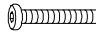



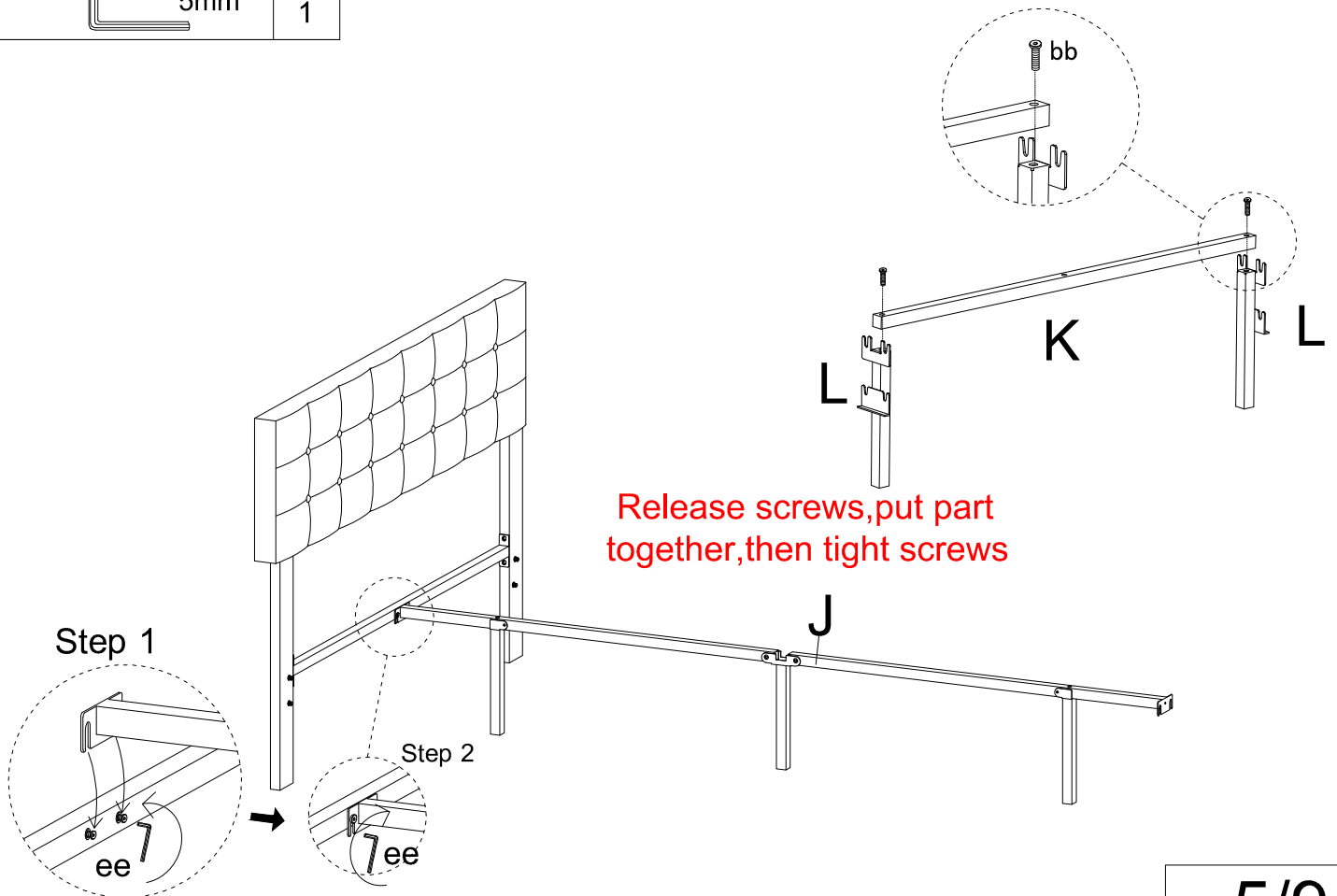
Step 3

dd		M6x35	2
ee		5mm	1

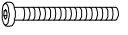



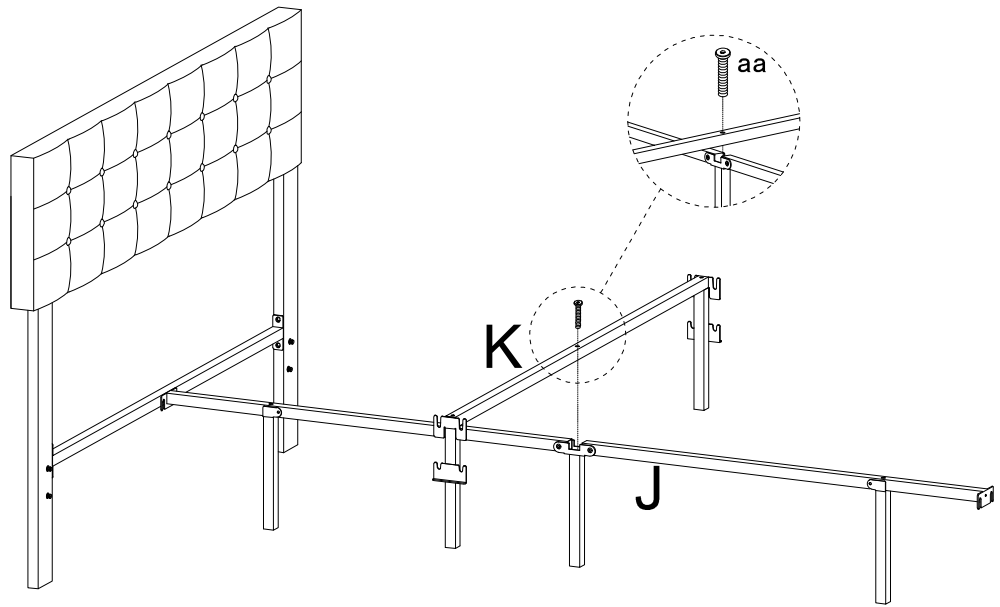
Step 4

bb		M8x40	2
ee		5mm	1




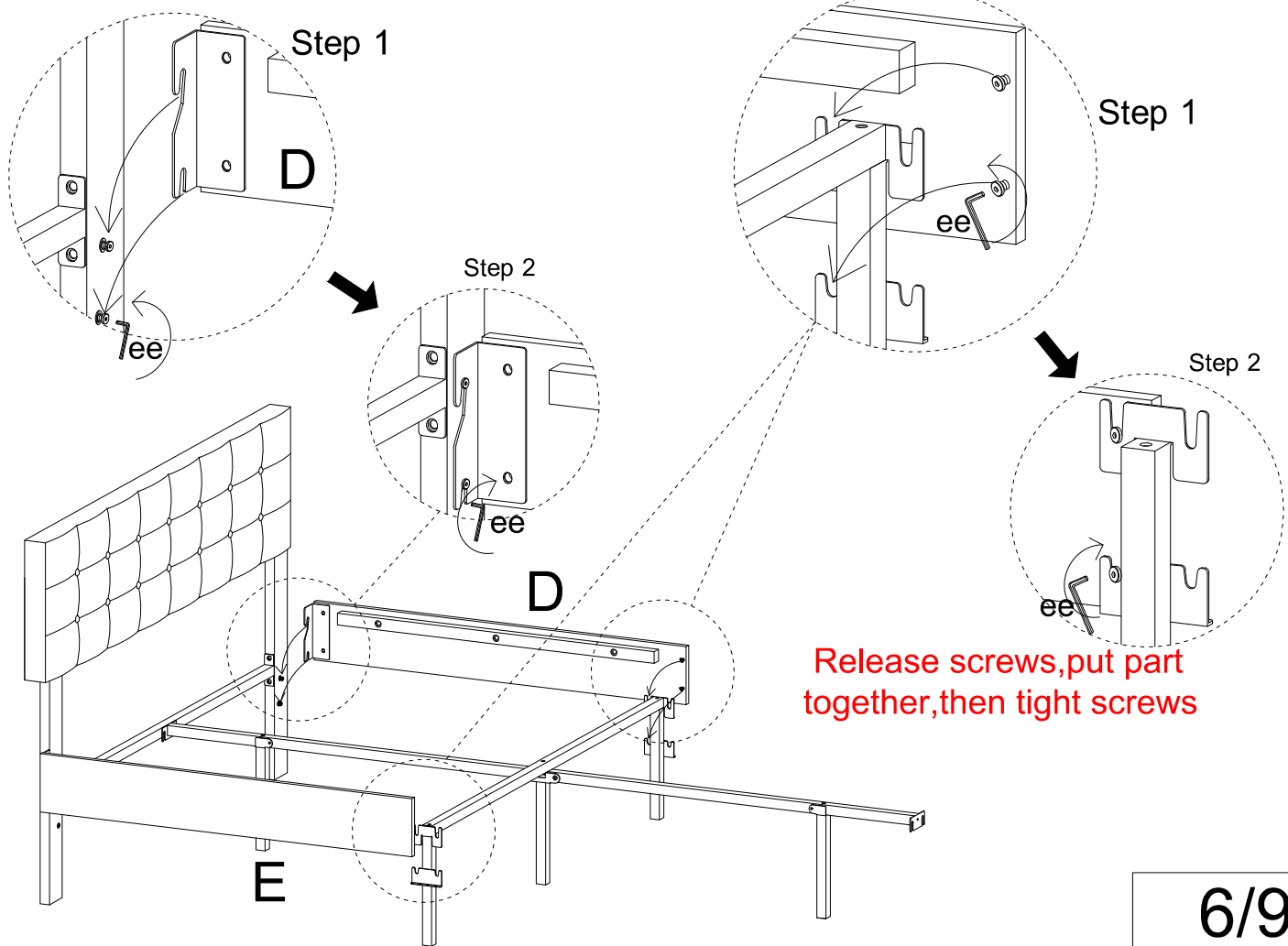
Step 5

aa		M8x50	1
ee		5mm	1



Step 6

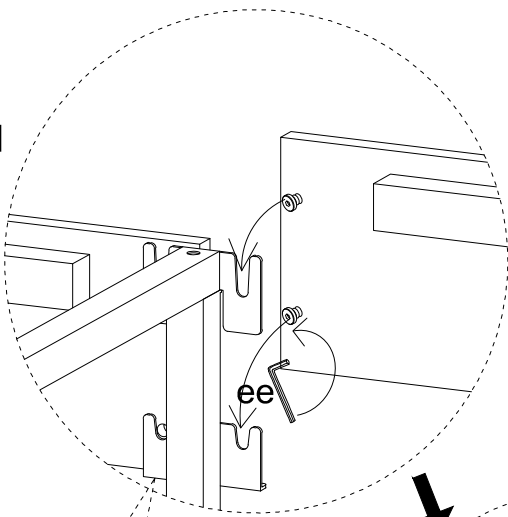
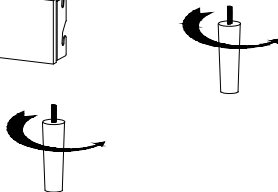
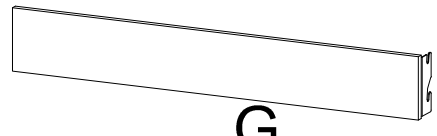
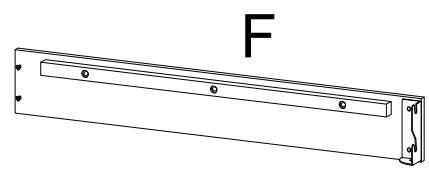
ee		5mm	1
----	---	-----	---



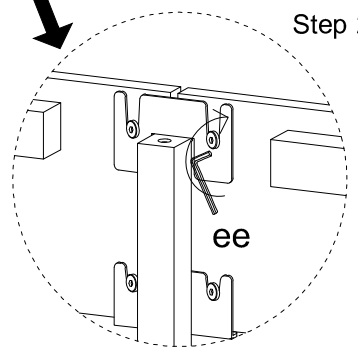
ee 5mm 1

Step 7

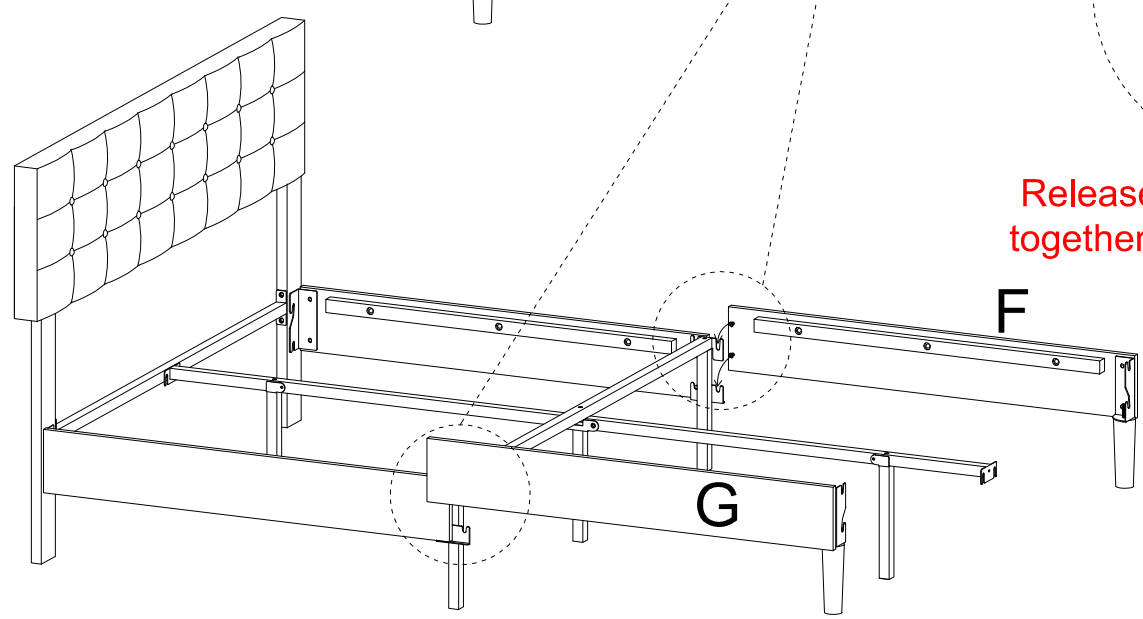
Step 1



Step 2



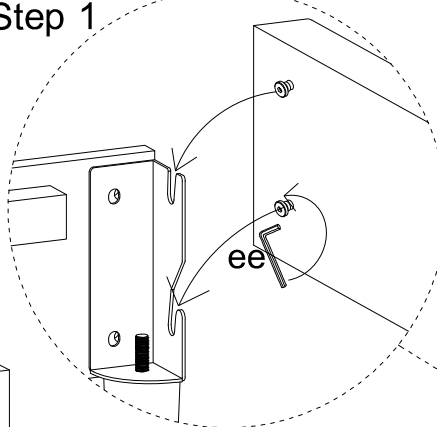
Release screws, put part together, then tight screws



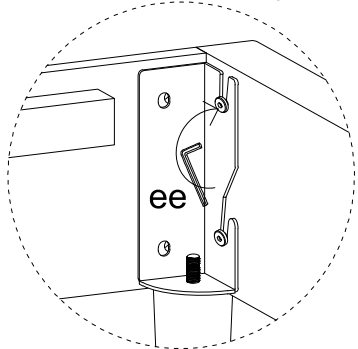
ee 5mm 1

Step 8

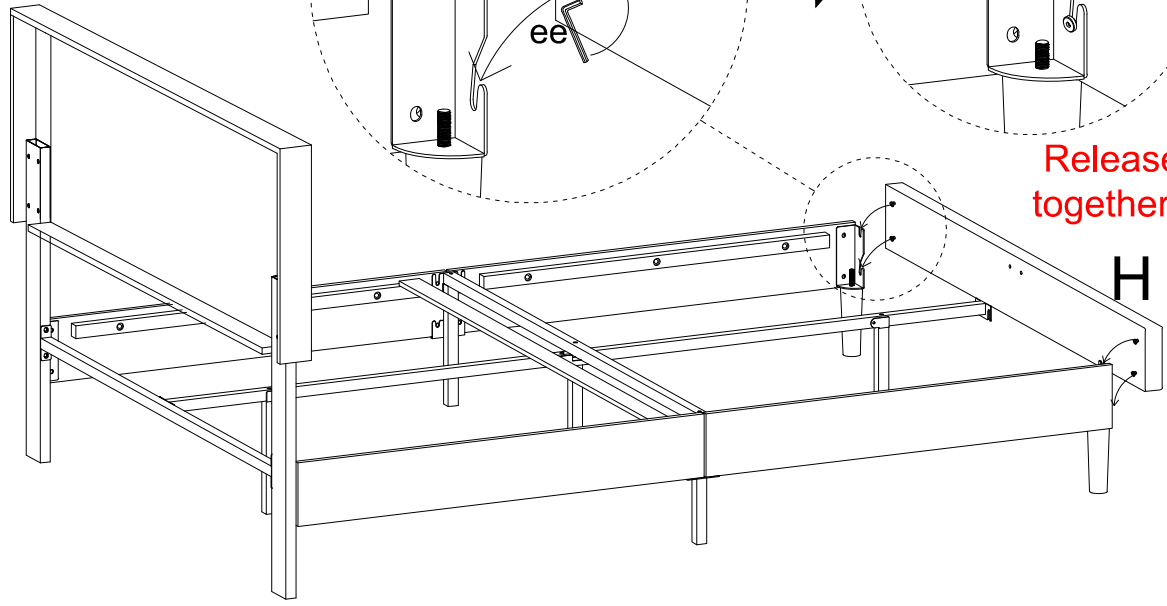
Step 1

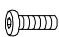




Step 2



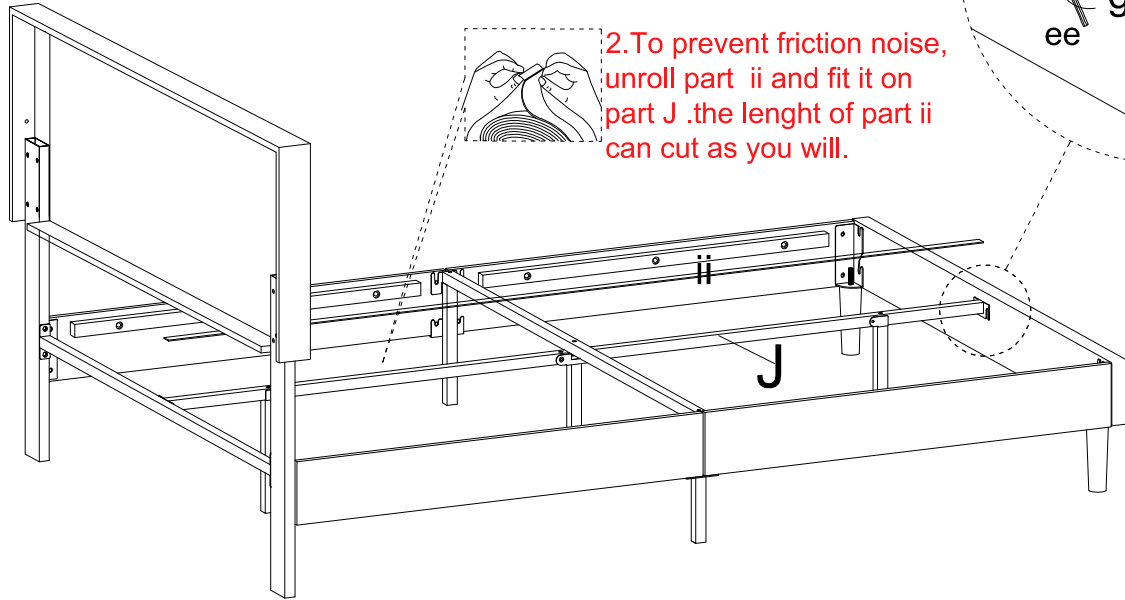
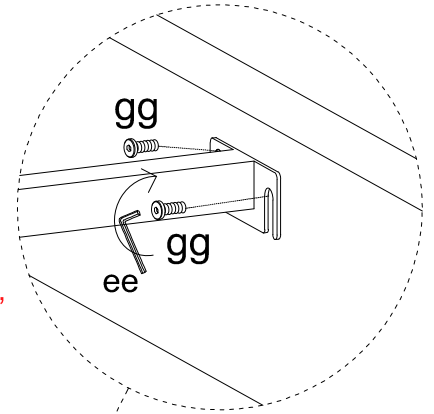
Release screws, put part together, then tight screws



gg		M8x25	2	ee		5mm	1
ii			1				

Step 9

1. Tighten screw gg



2. To prevent friction noise, unroll part ii and fit it on part J. the length of part ii can cut as you will.

Step 10

