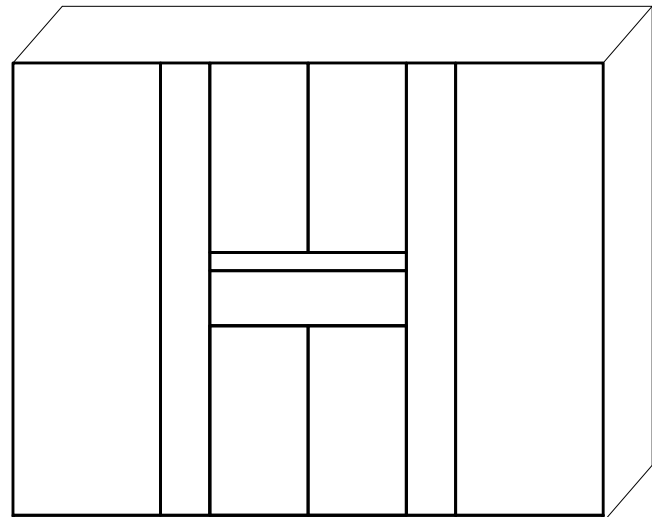
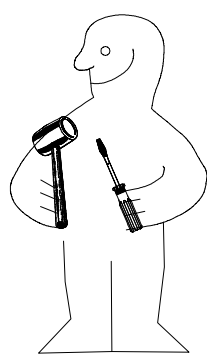
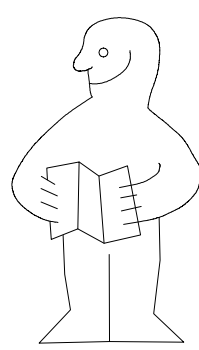
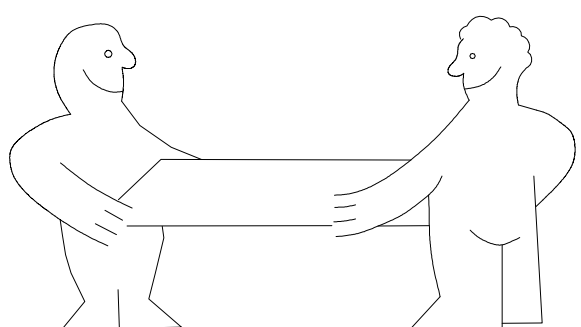
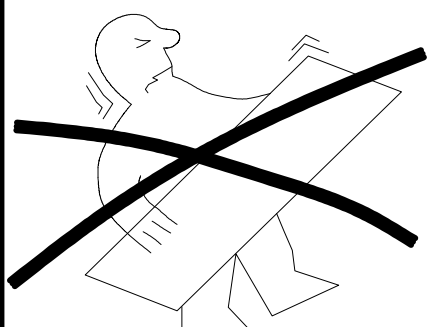


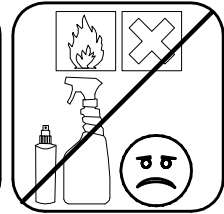
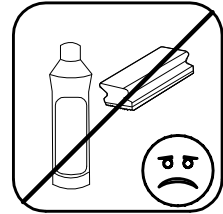
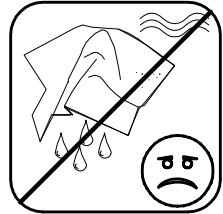
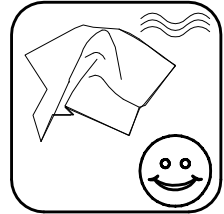
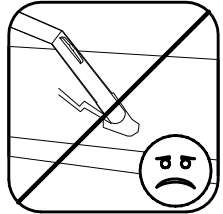
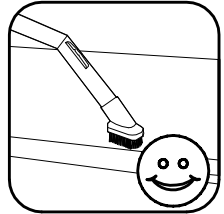
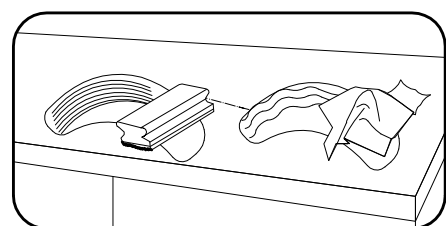
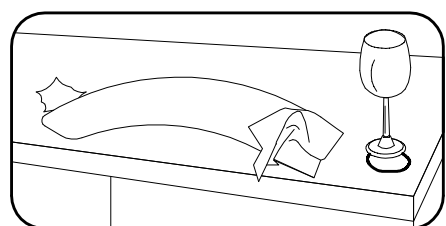
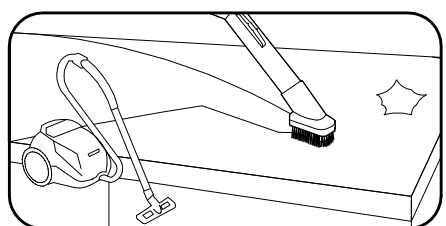
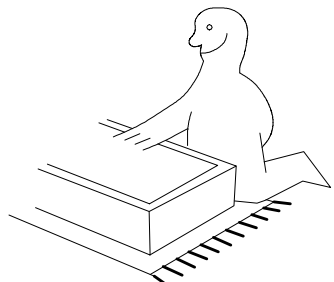
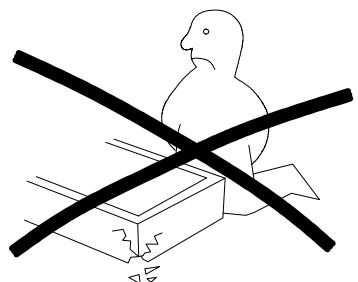
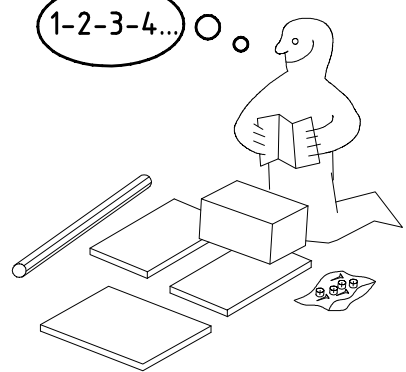
980539



NSP 270 Access



1-2-3-4... ○



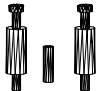
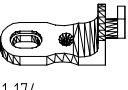





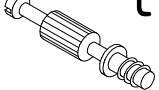
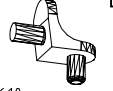

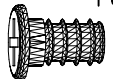

980539

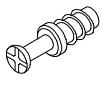
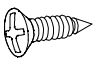




10.11.17 / -


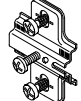
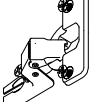

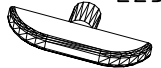
11 17

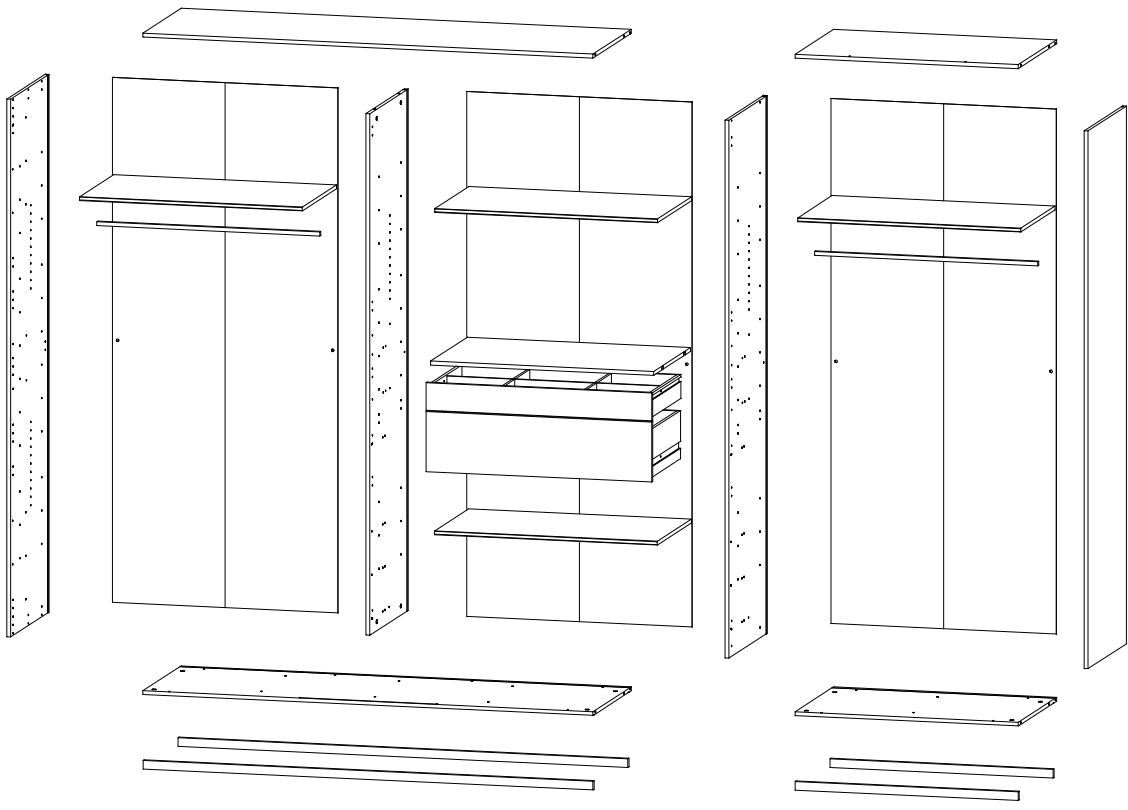
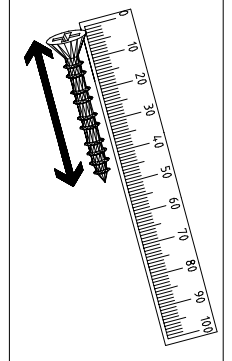
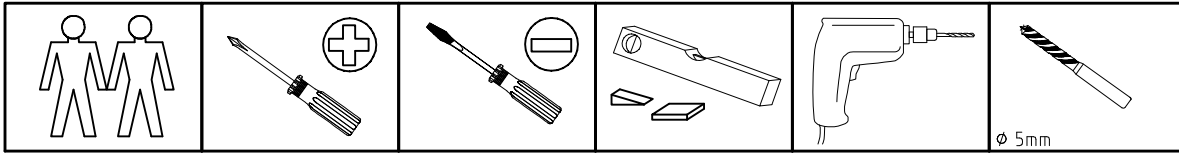
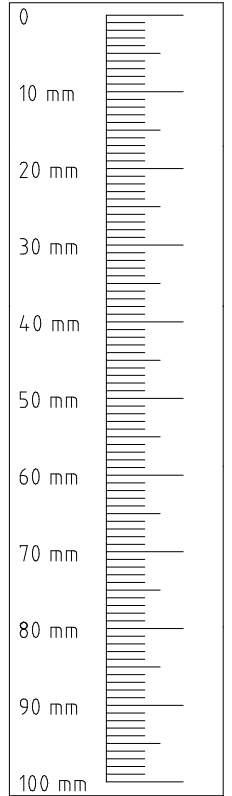
1 / 16

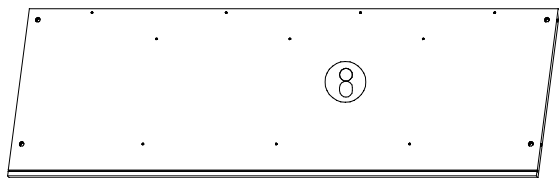
 111 252	4x
 111 102	20x
 111 174	4x
 111 174	6x
 117 001	4x
 112 196	2x

 163 007	2x
 111 103	12x
 111 610	16x
 M6 x 11 mm	6x
 121 181	6x
 2,7 X 20 mm	6x

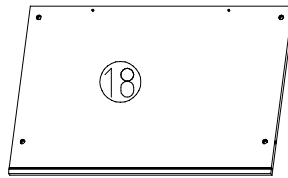
 111 229	4x
 3,5 x 15 mm	10x
 112 xxx	2x
 M6 x 10	8x
 M4 x 9 mm	4x
	

 3,5 x 35 mm	18x
 112 268	20x
 112 267	20x
 870mm	2x
 112 402	6x

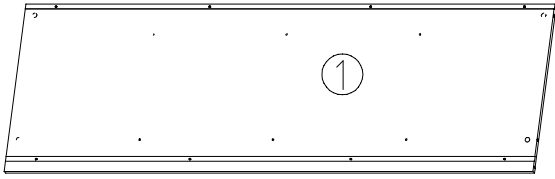




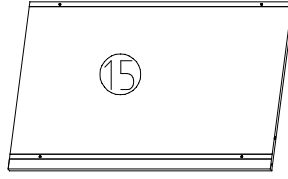
1761 x560x15



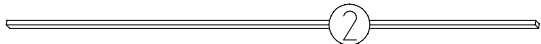
873 x560x15



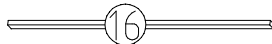
1761 x560x15



873 x560x15



1761 x33x15



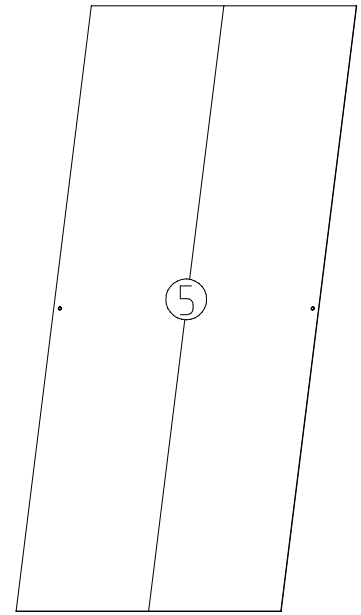
873 x33x15



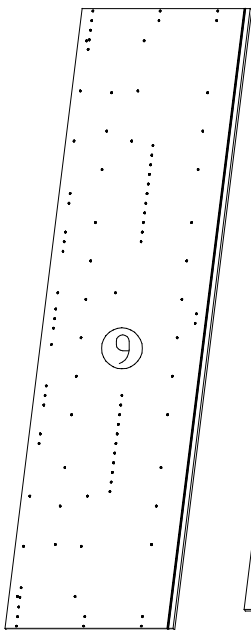
1761 x33x15



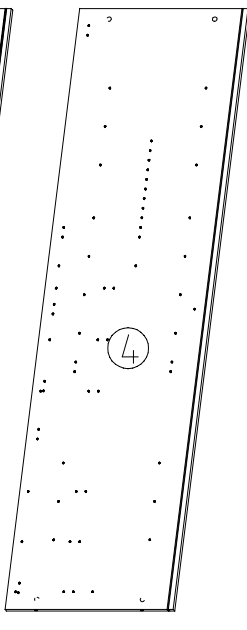
873 x33x15



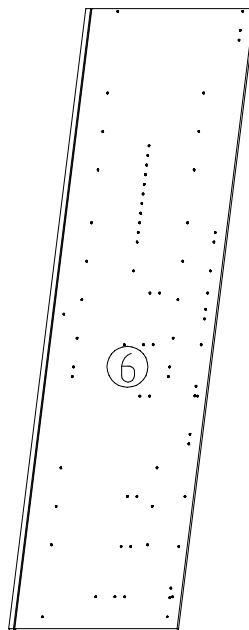
3x 2015x882x2,5



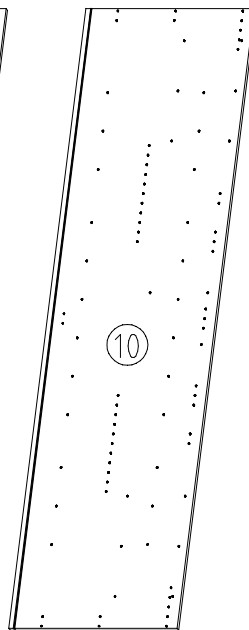
2064x560x15



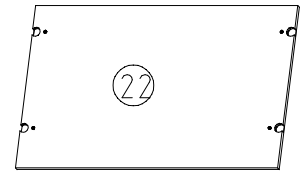
2001x560x15BB



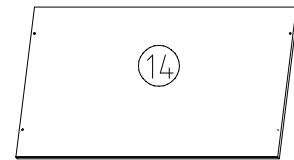
2064x560x15BB



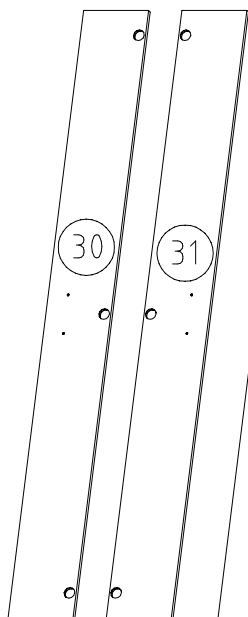
2064x560x15



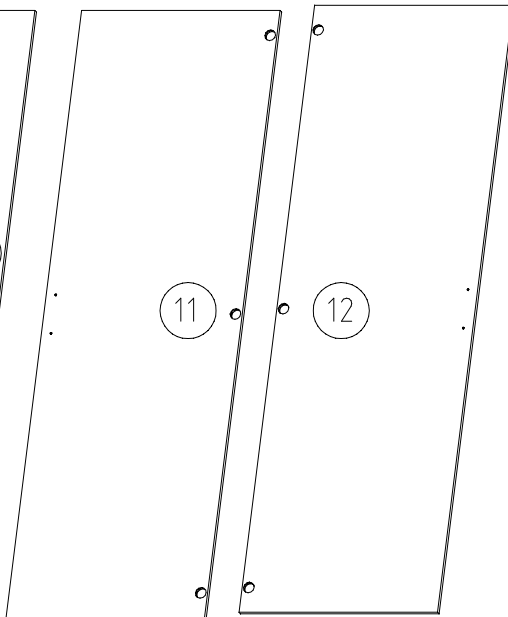
873x540x18



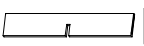
4x 873x500x15

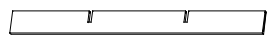


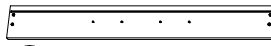
2021x217x15

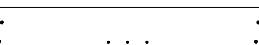


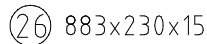
2021x661x15


2x  **Q**  
**28** 426x73,5x10

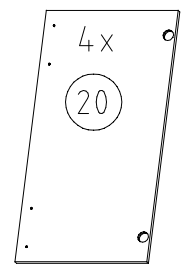
 **L**  
**29** 841x73,5x10

  
**23** 883x106x15

  
**26** 883x230x15

  
**24** 439 / 866 / 439 x 92 x 12

  
**27** 439 / 866 / 439 x 185 x 12

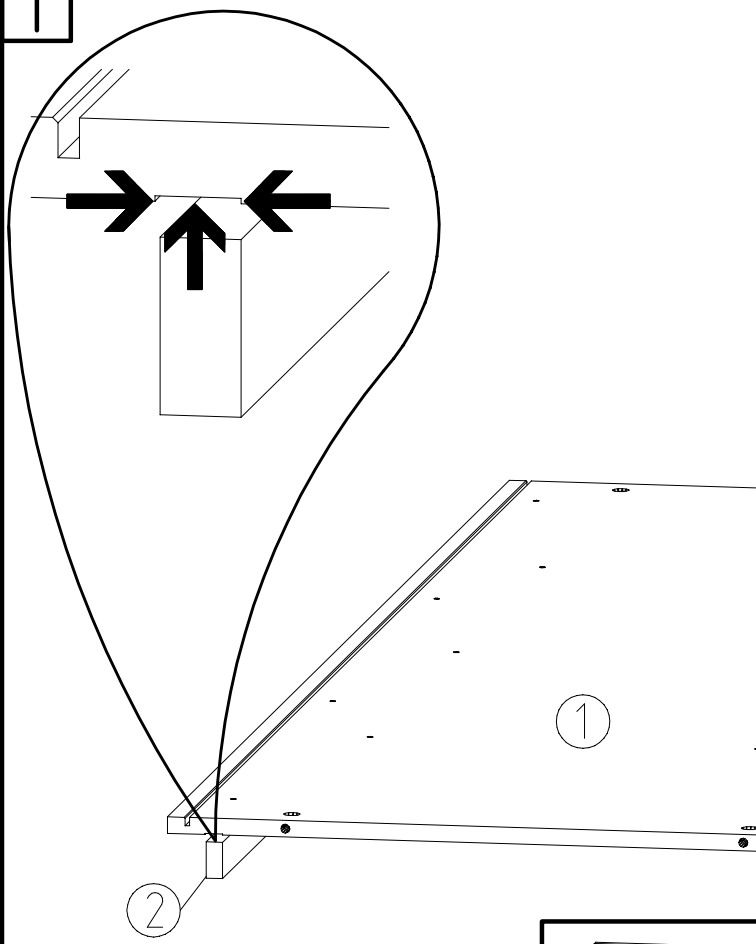


837x439x15

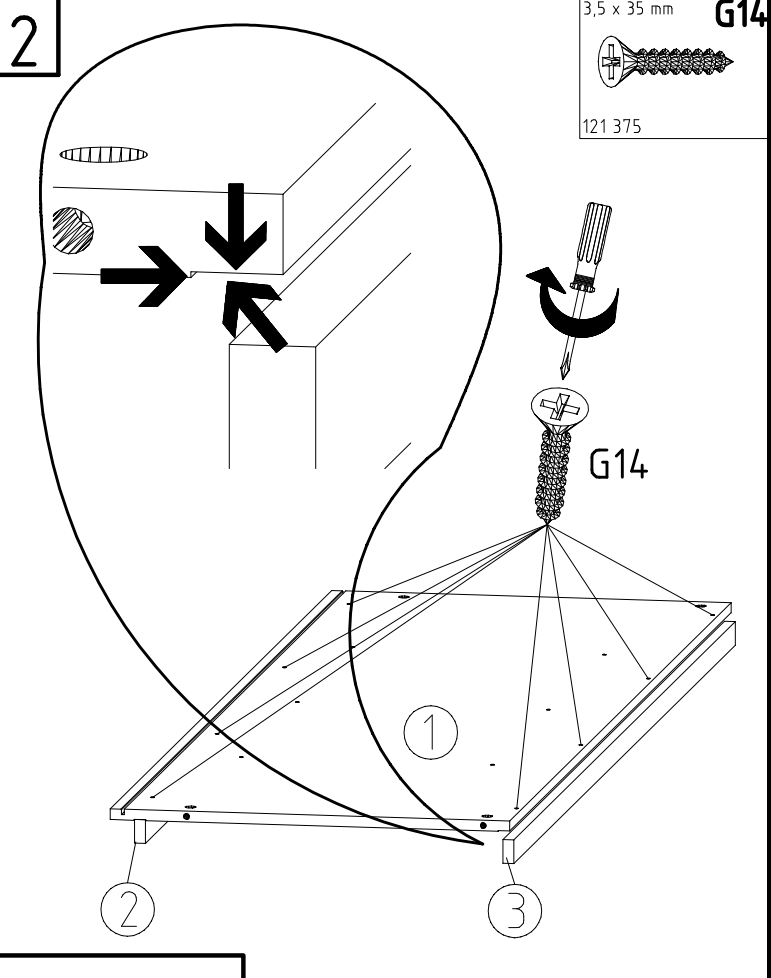


2x **25** 852x439x2,5

1



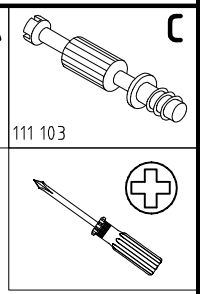
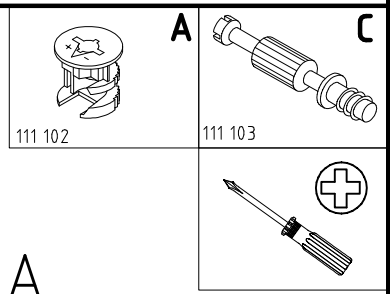
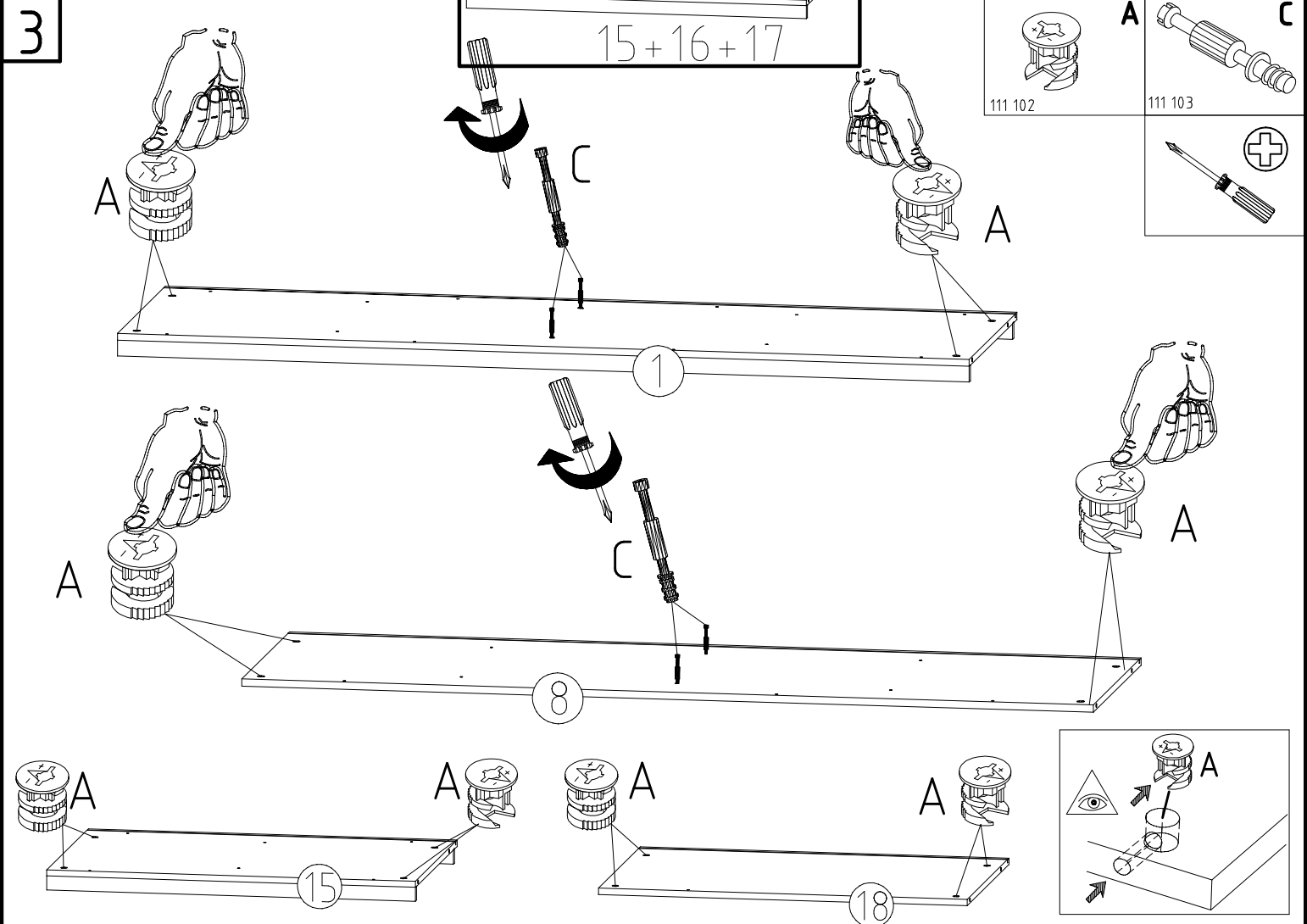
2



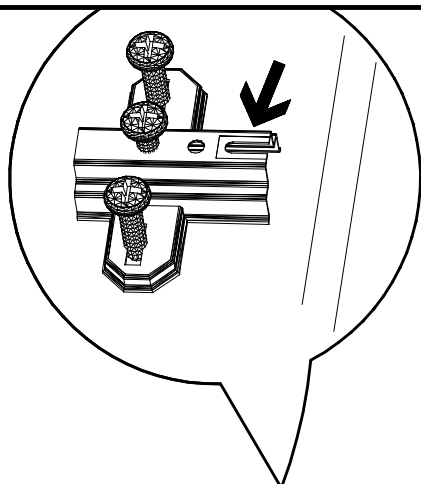
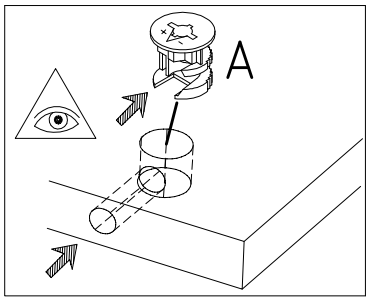
3,5 x 35 mm **G14**  
121 375

3

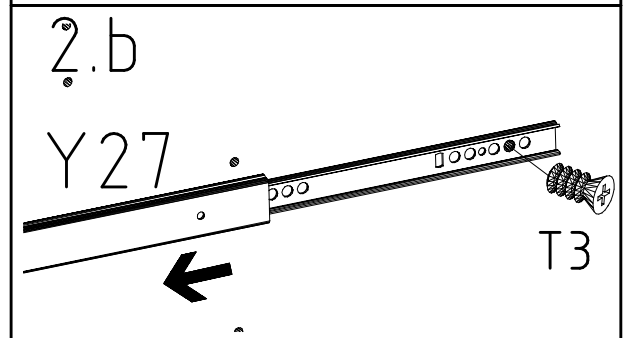
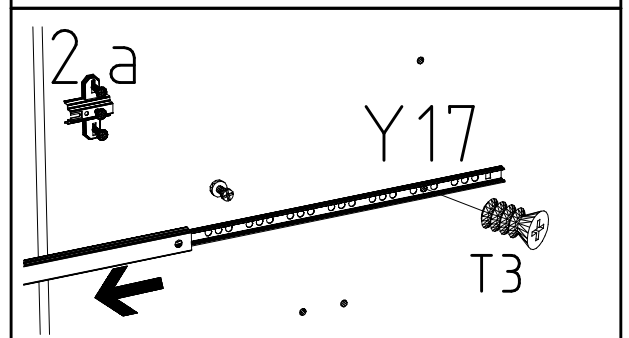
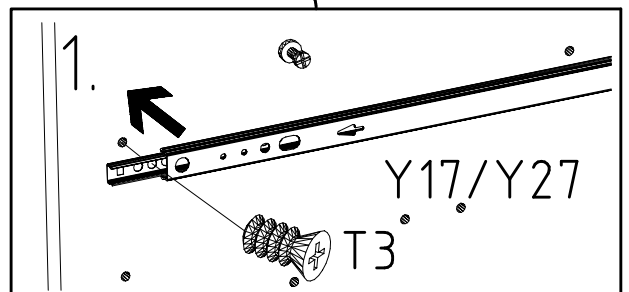
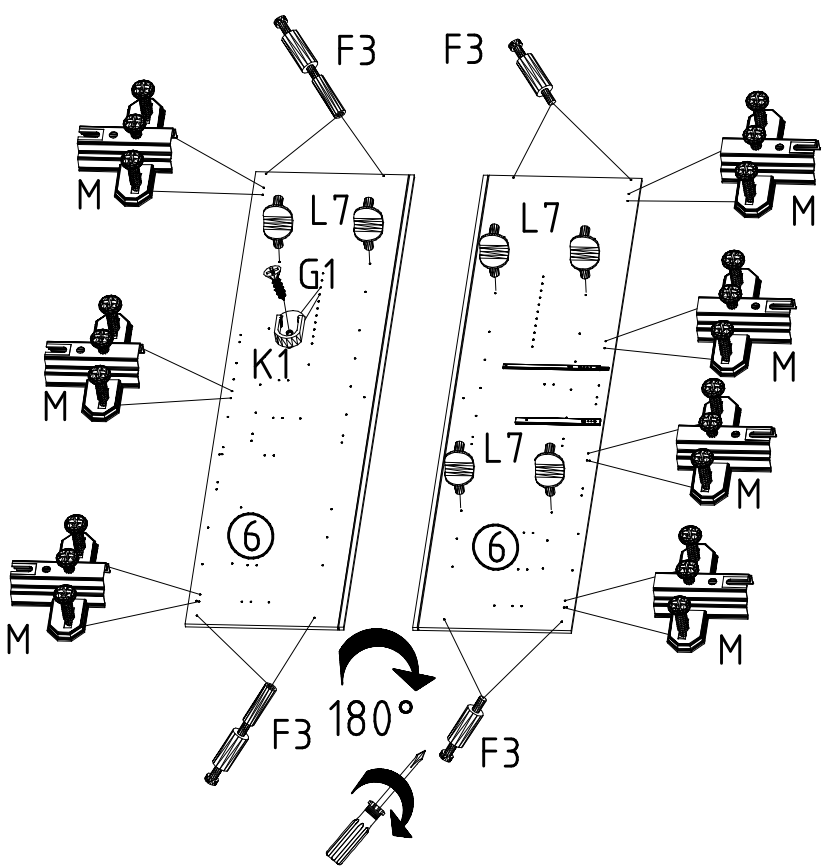
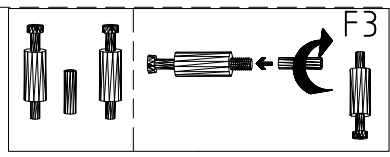
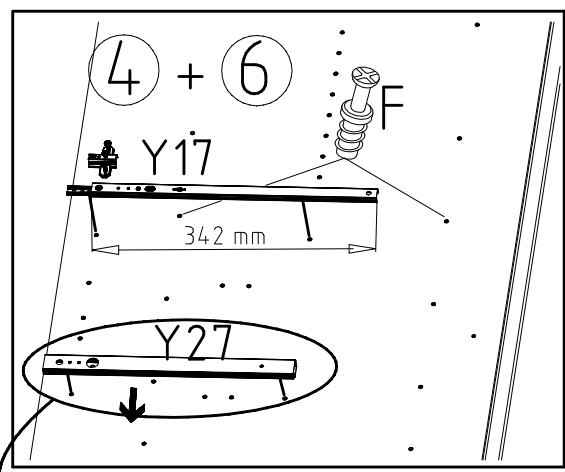
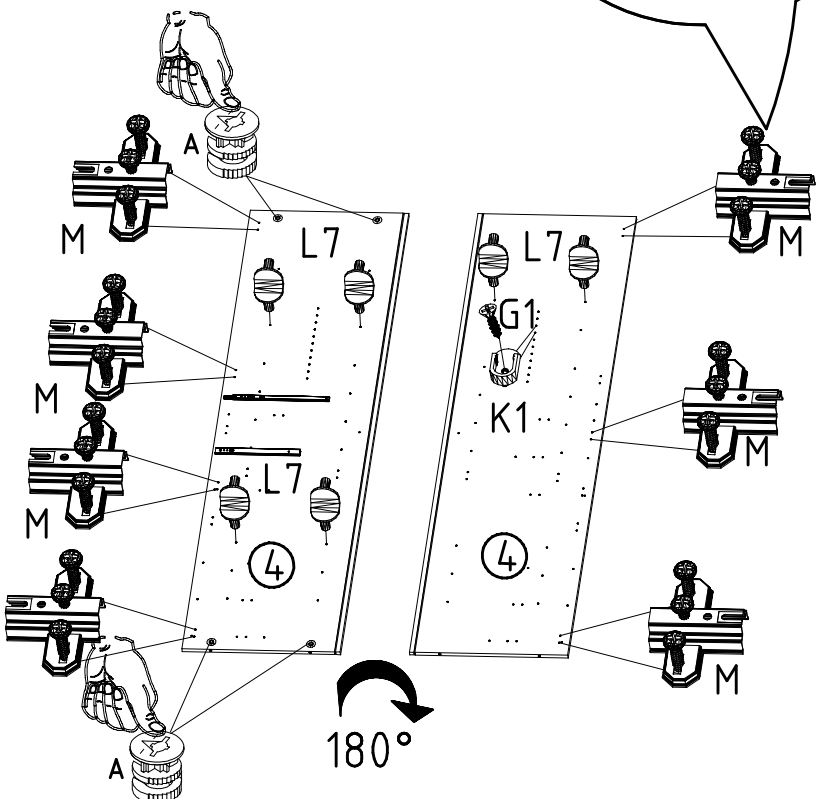
15+16+17



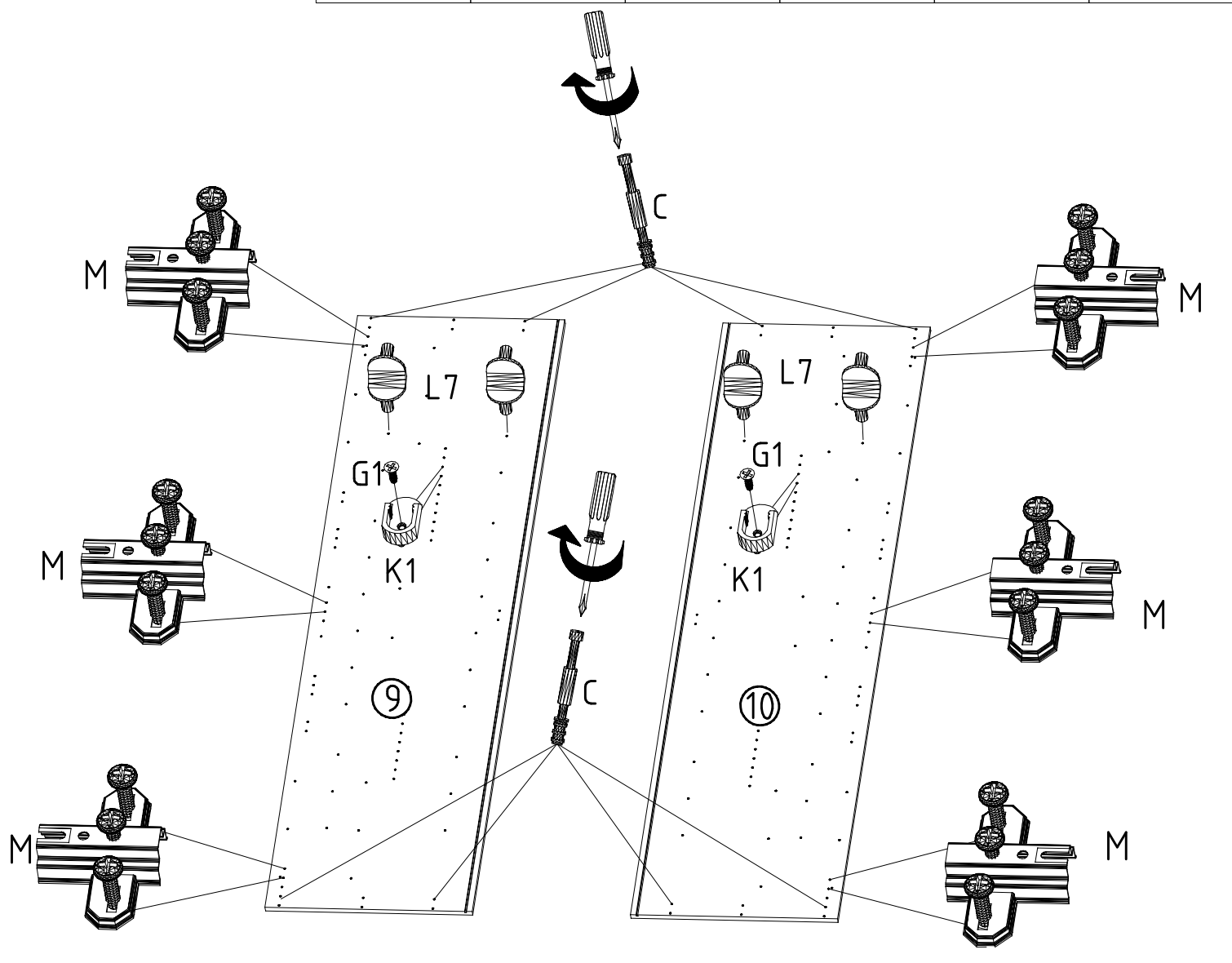
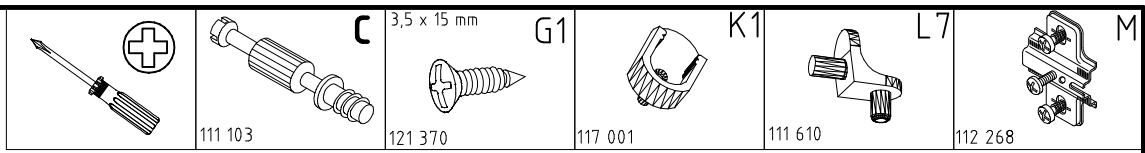
4



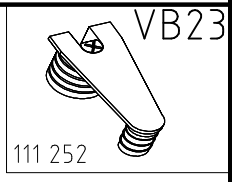
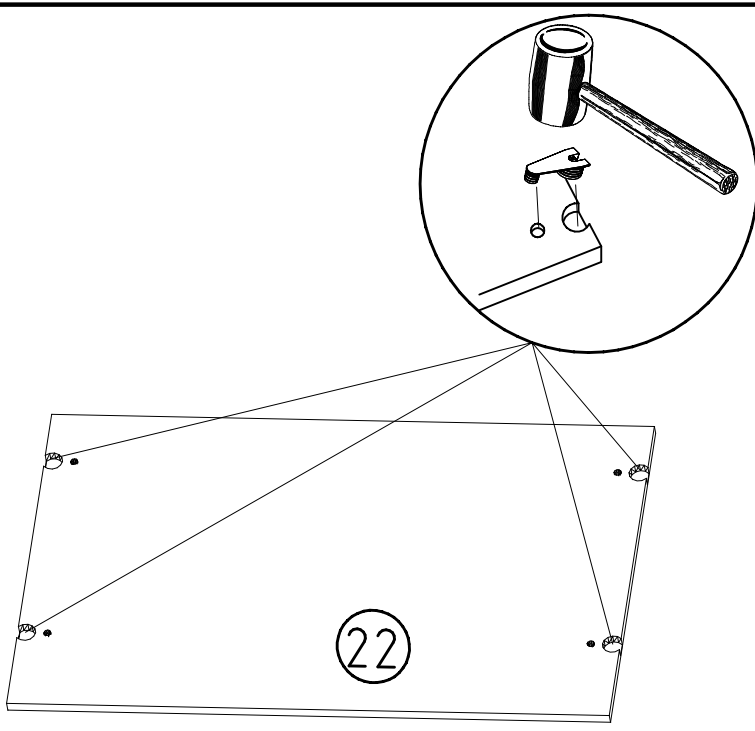
<p>K1 117 001 3,5 x 15 mm</p>	<p>L7 111 610</p>	<p>M 112 268</p>
<p>G1 121 370</p>	<p>Y17 112 196</p>	<p>F 111 229 M6 x 10</p>
<p>Y27 112 xxx</p>	<p>A 111 102</p>	<p>T3 112 616</p>



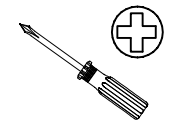
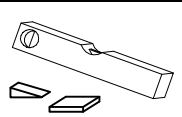
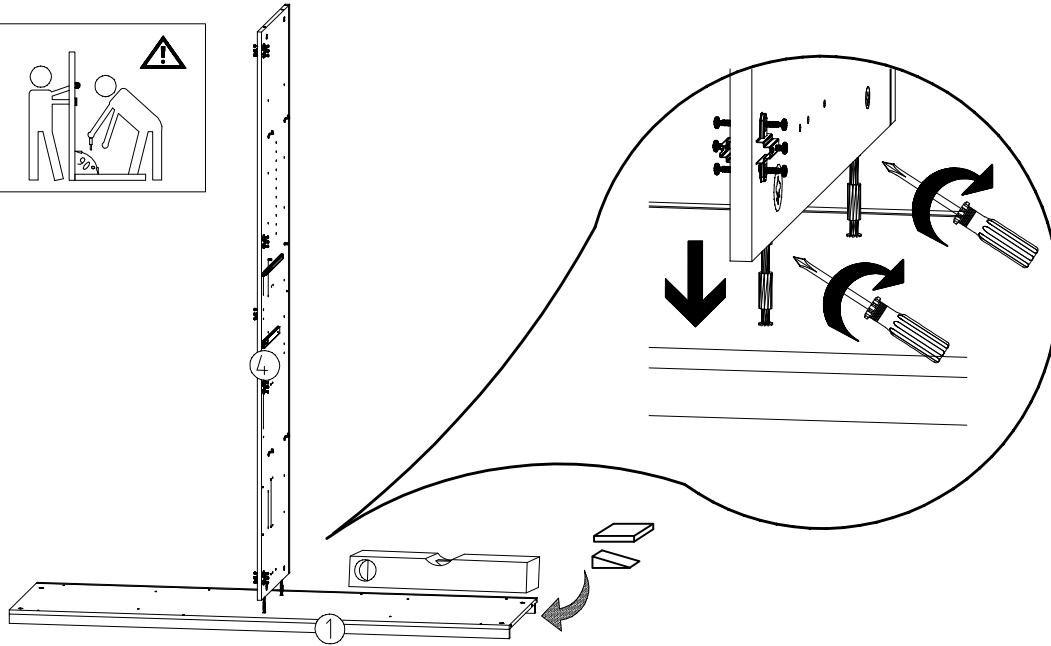
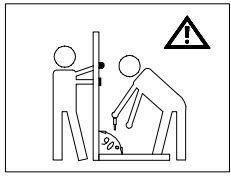
5



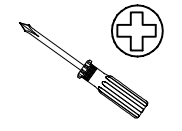
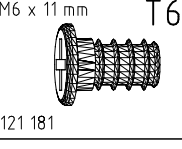
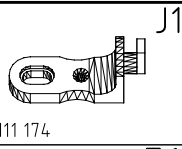
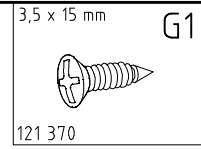
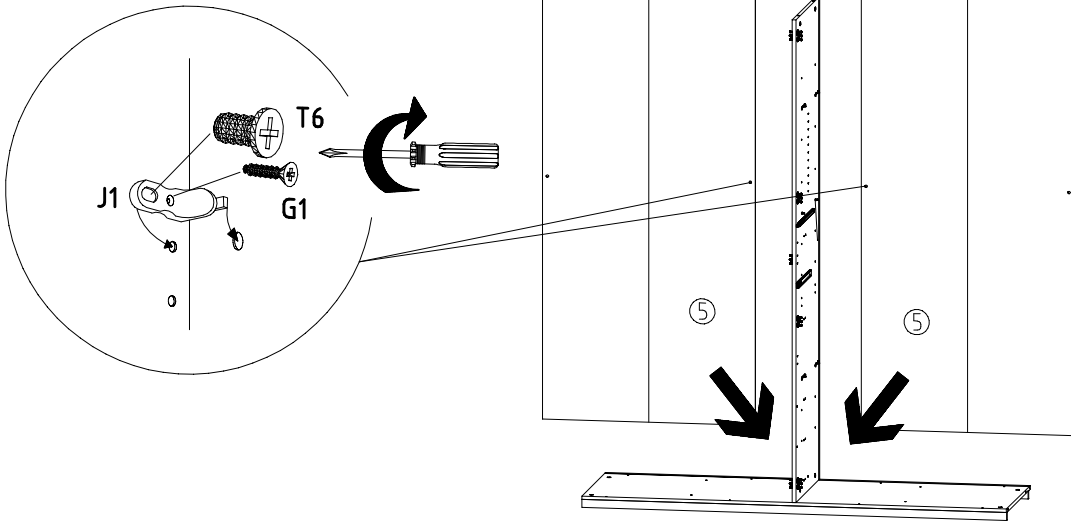
6



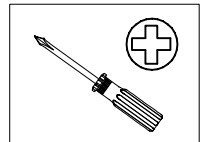
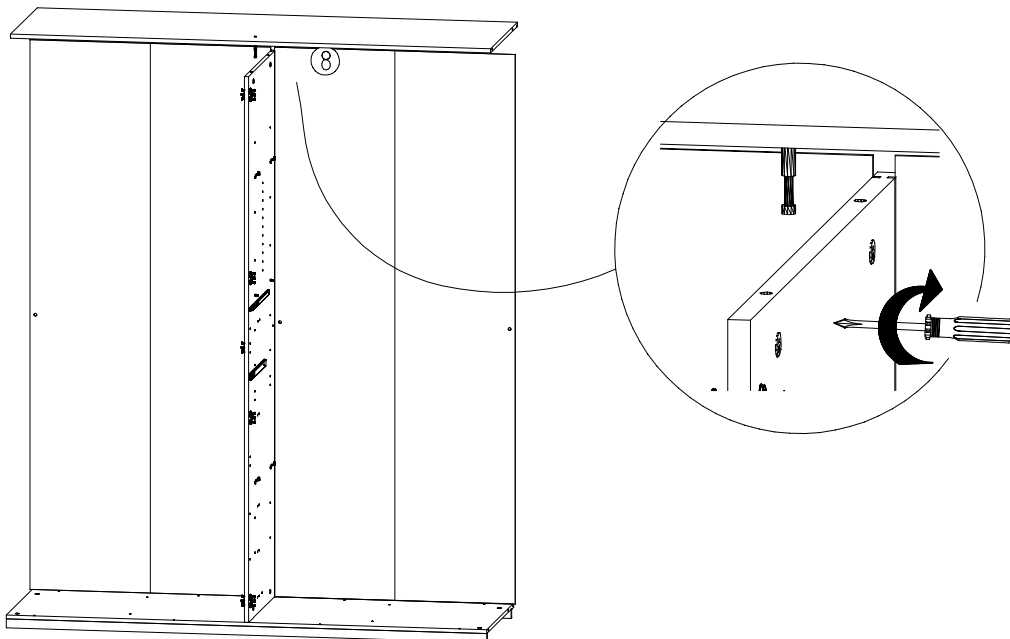
7



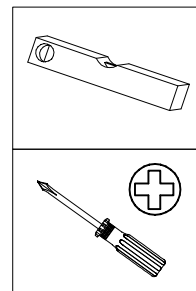
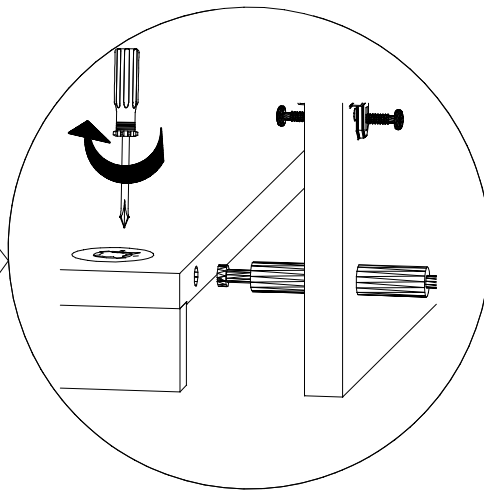
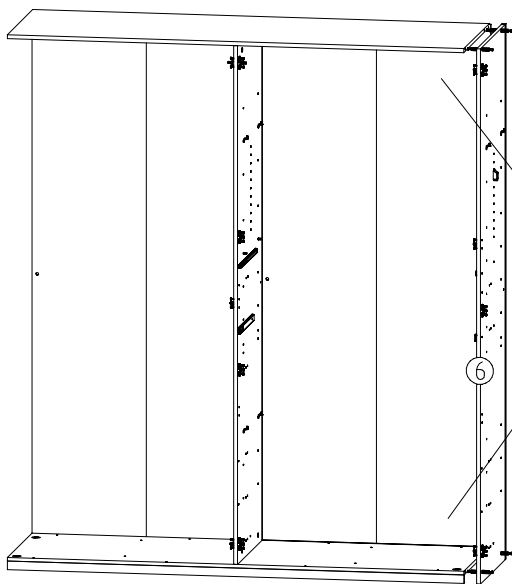
8



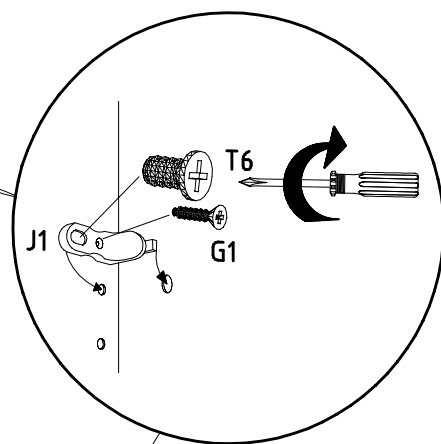
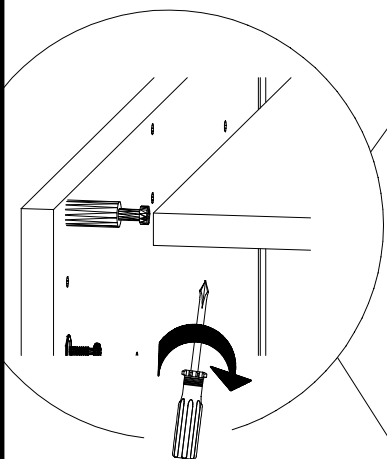
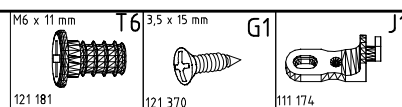
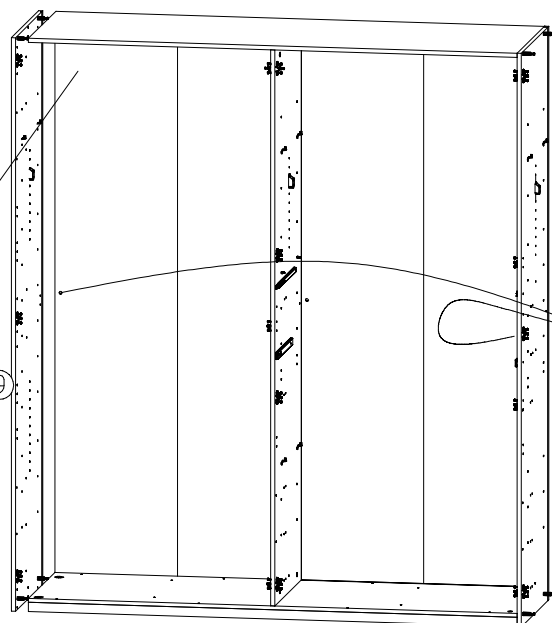
9



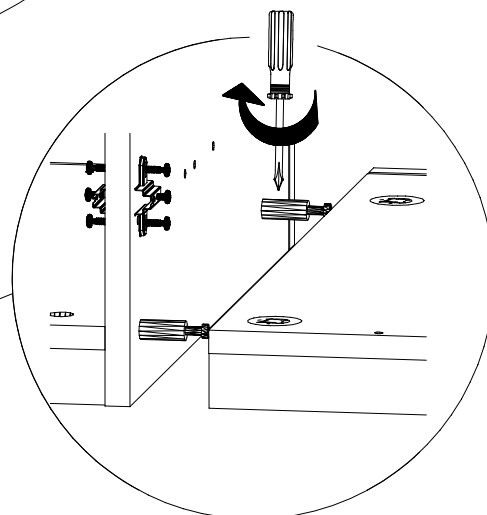
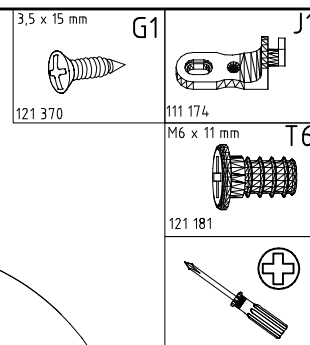
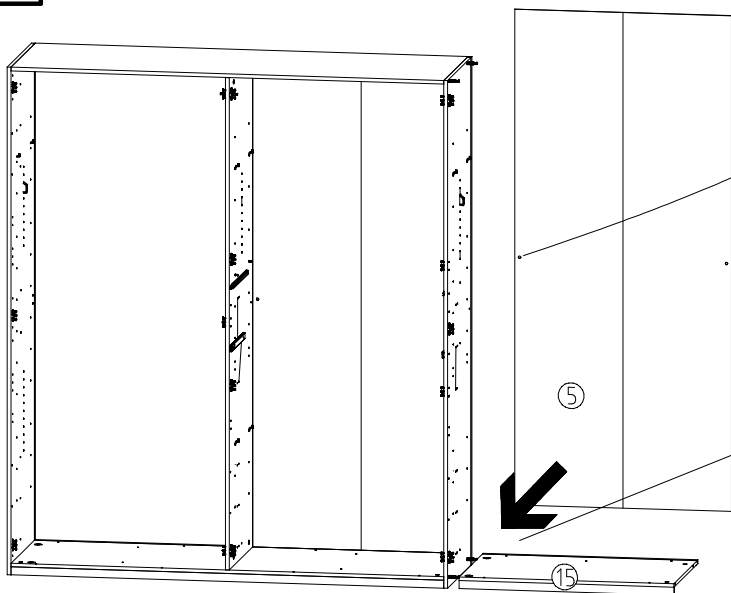
10



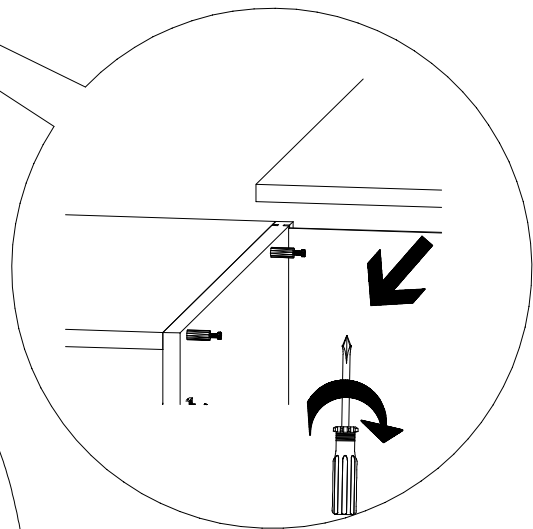
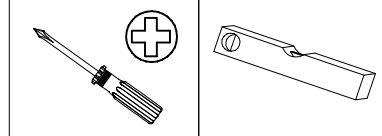
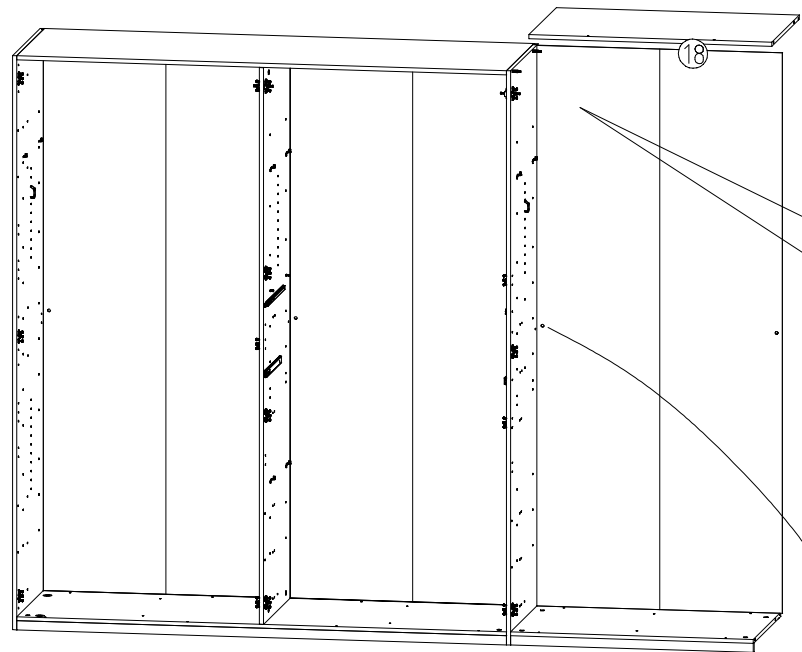
11



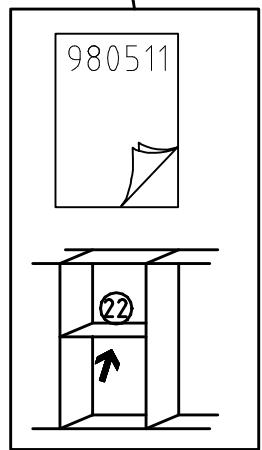
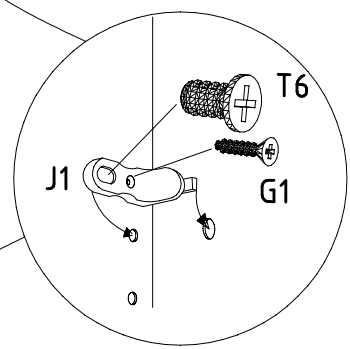
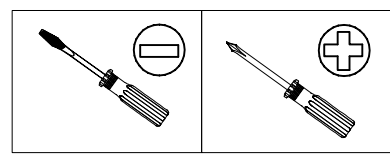
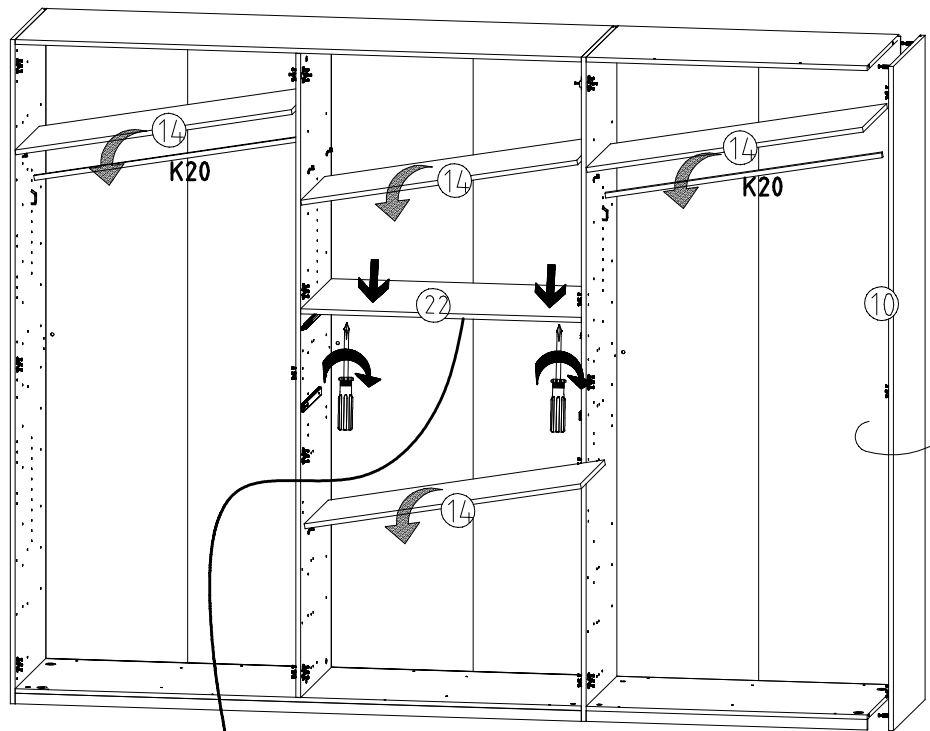
12



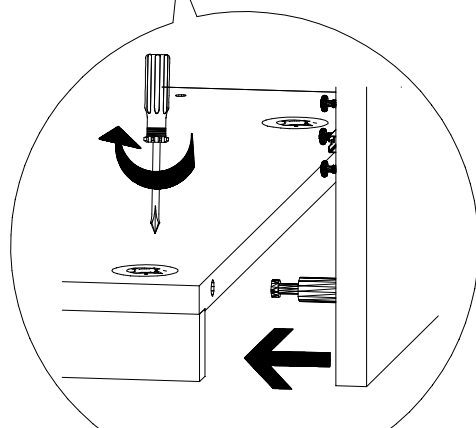
13



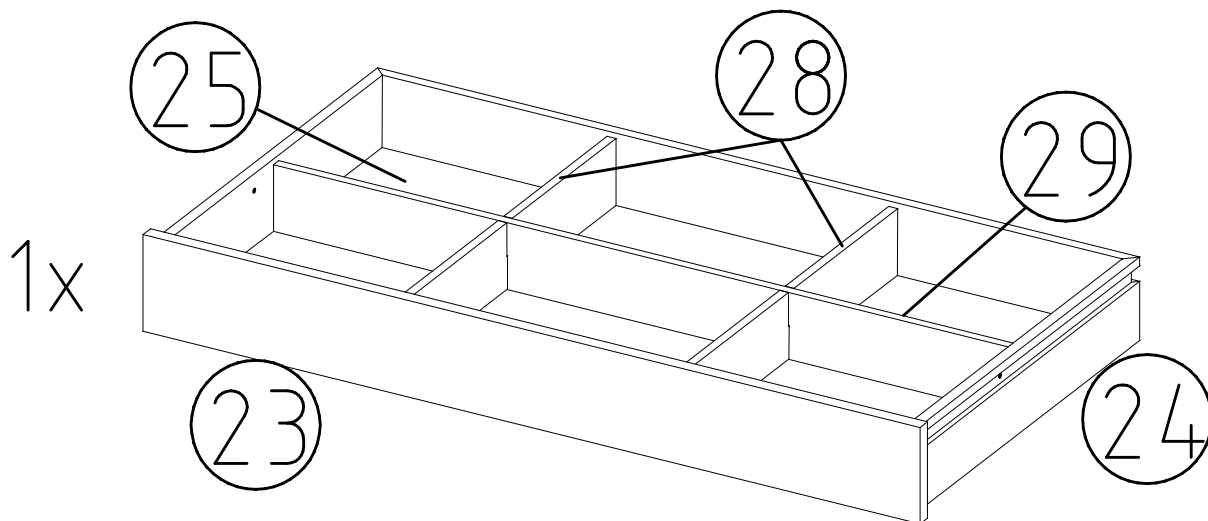
14



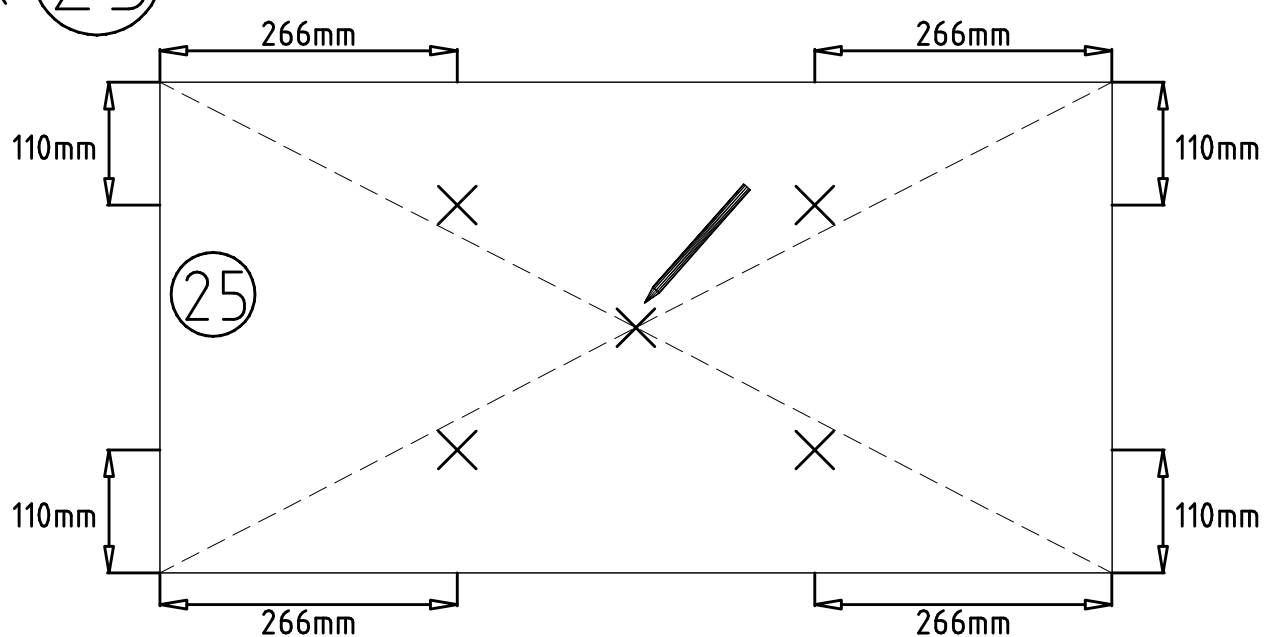
- K20**  
870mm
- 112 402
- J1**  
111 174  
M6 x 11 mm
- T6**  
121 181  
3,5 x 15 mm
- G1**  
121 370



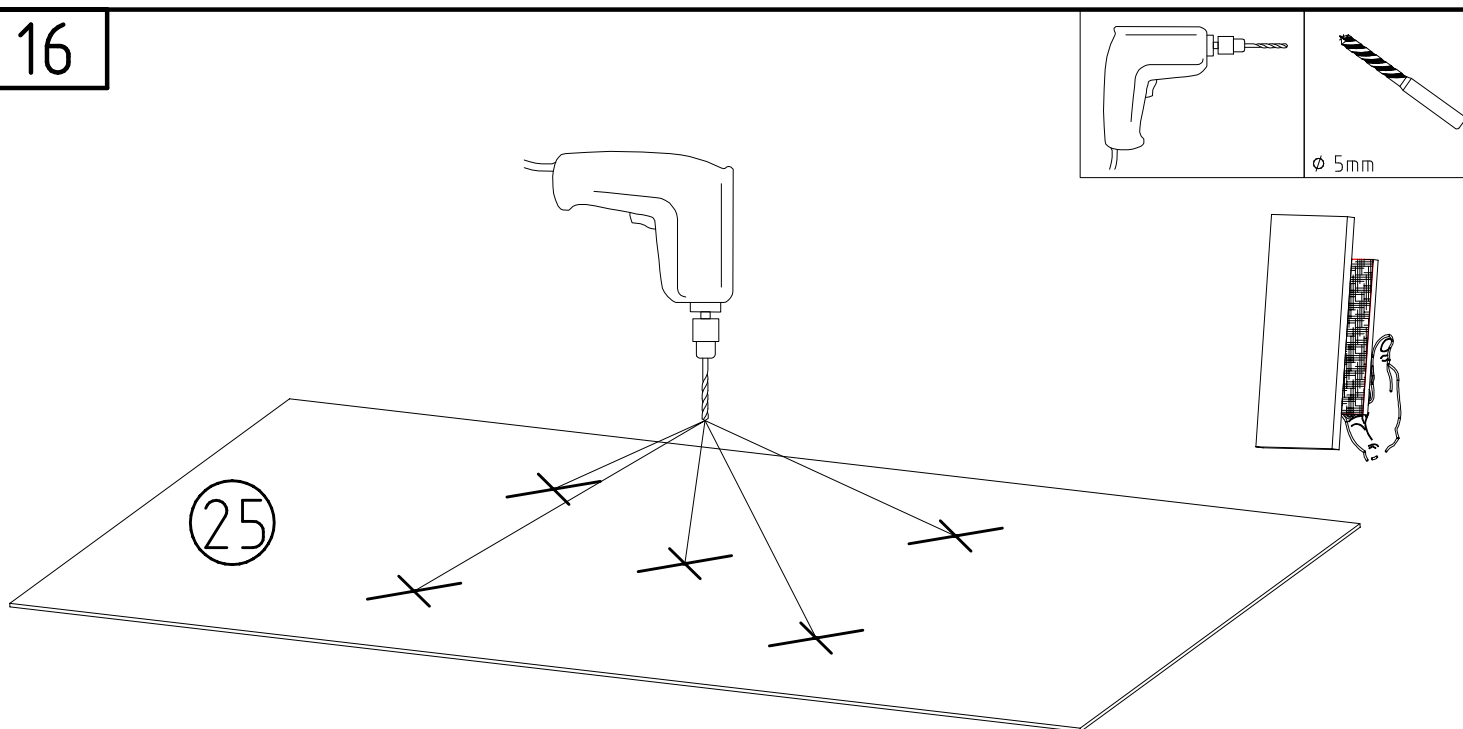
15



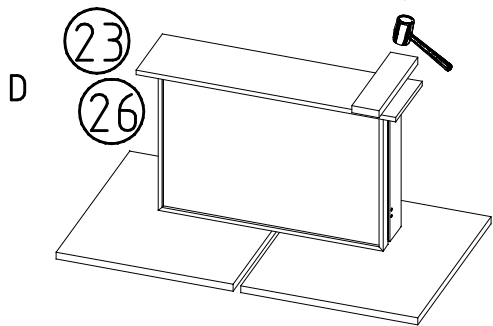
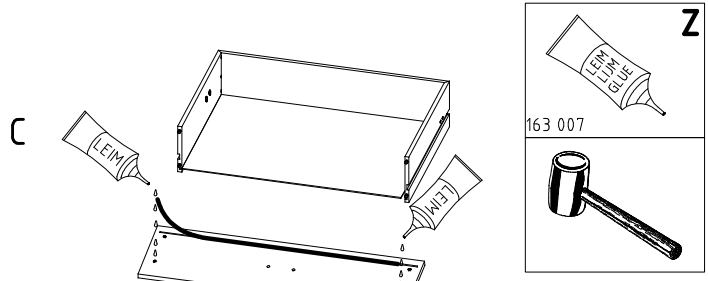
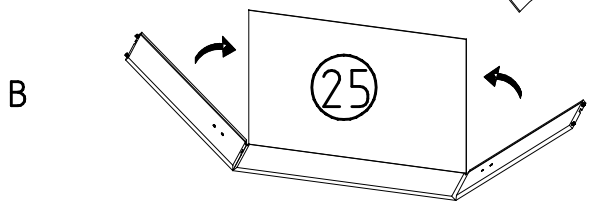
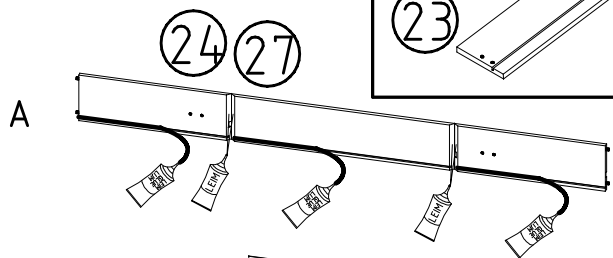
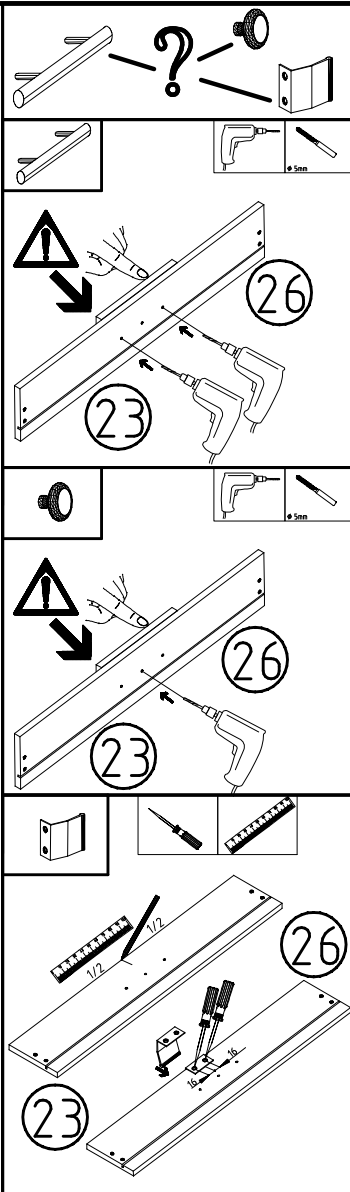
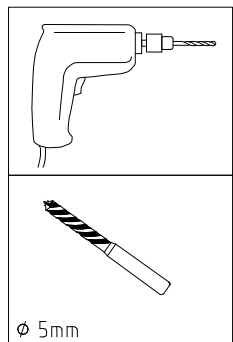
1x 25



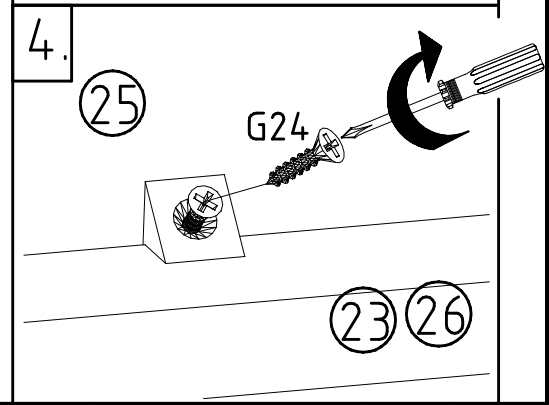
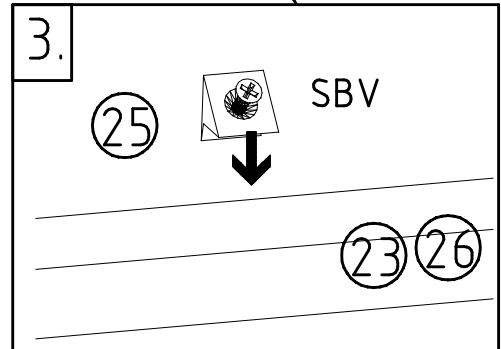
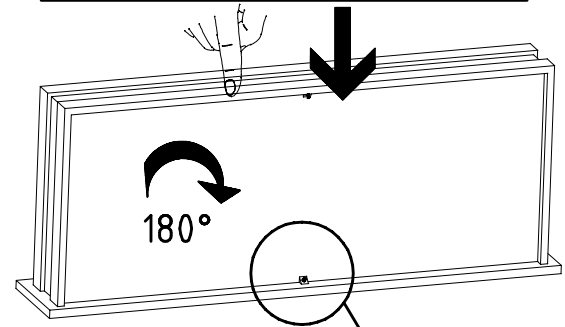
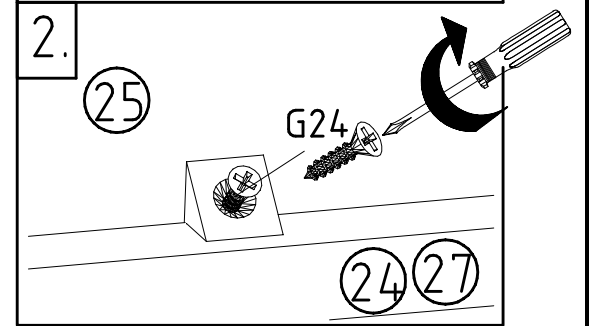
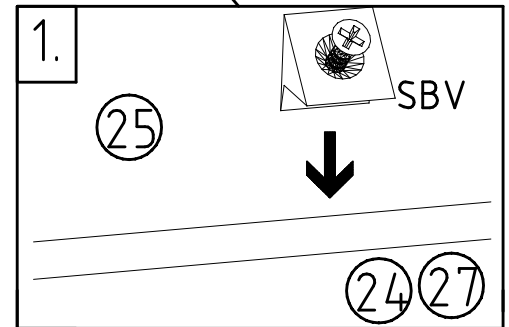
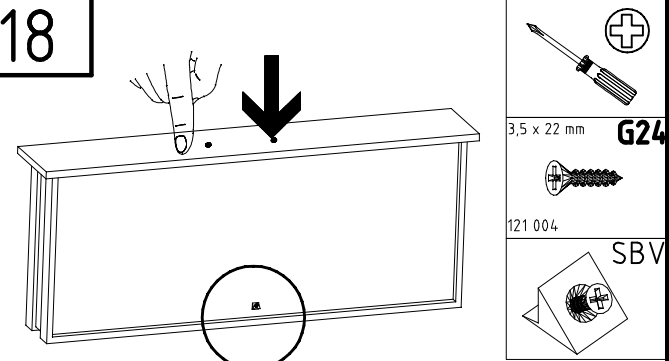
16



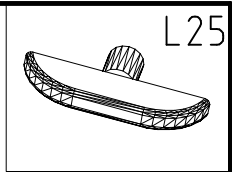
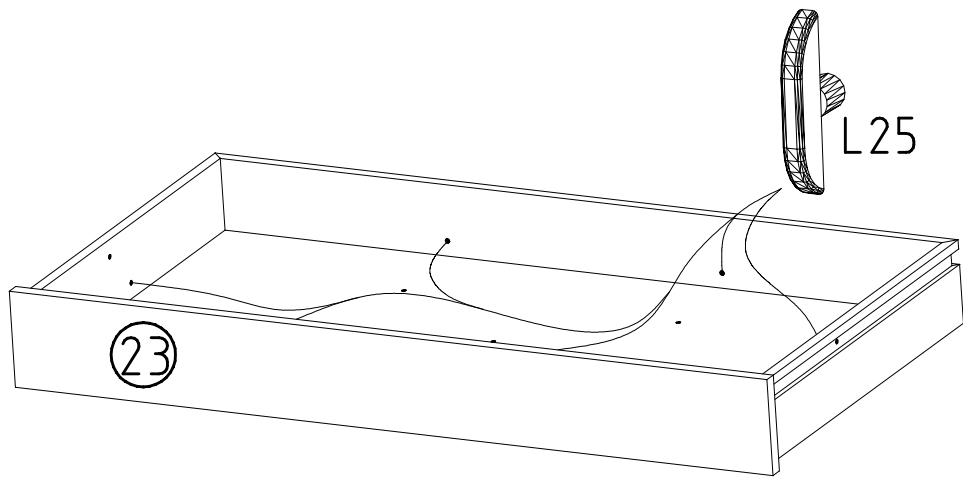
17



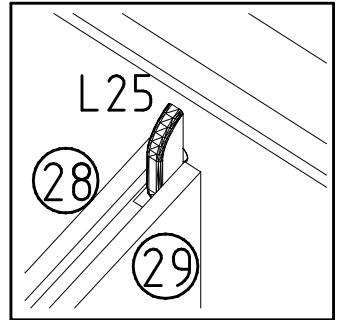
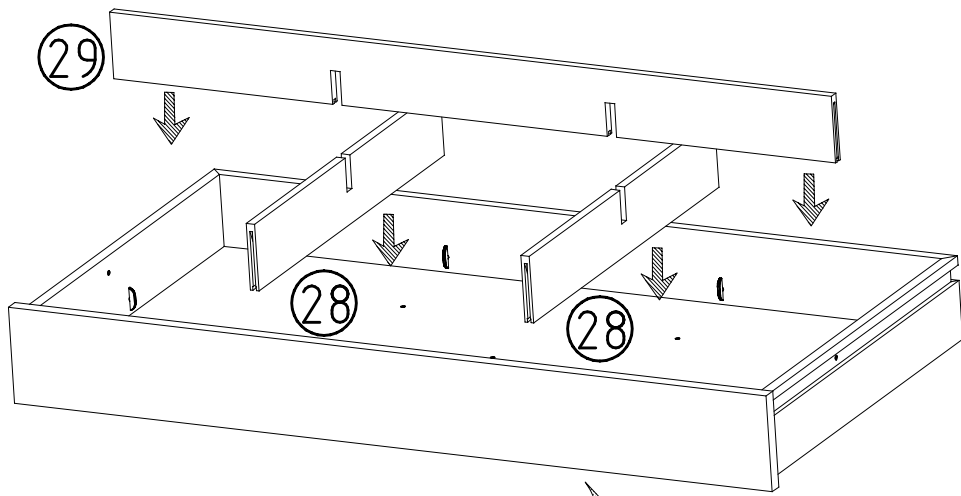
18



19

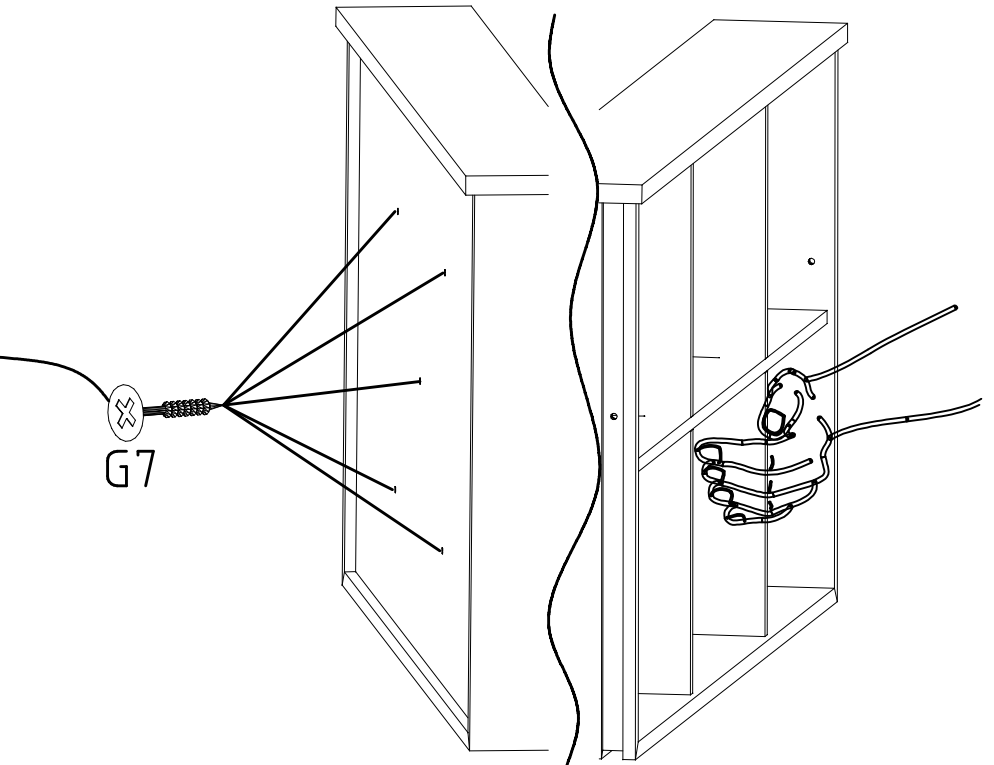
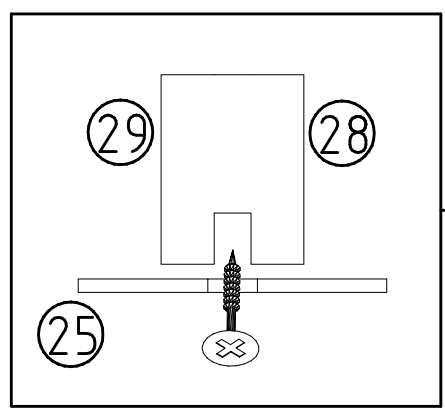
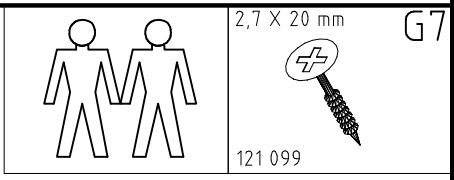


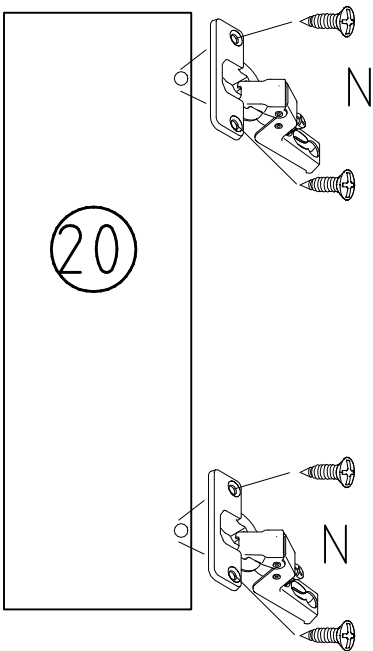
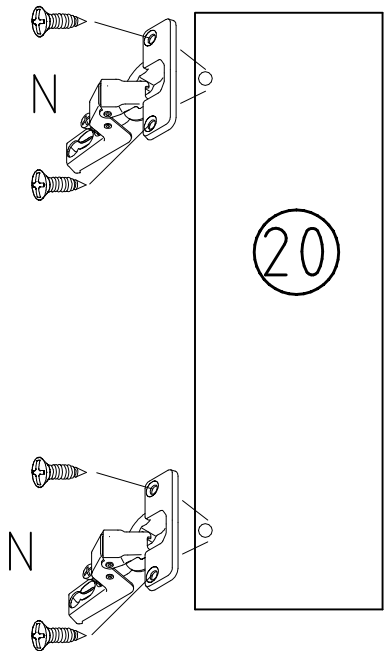
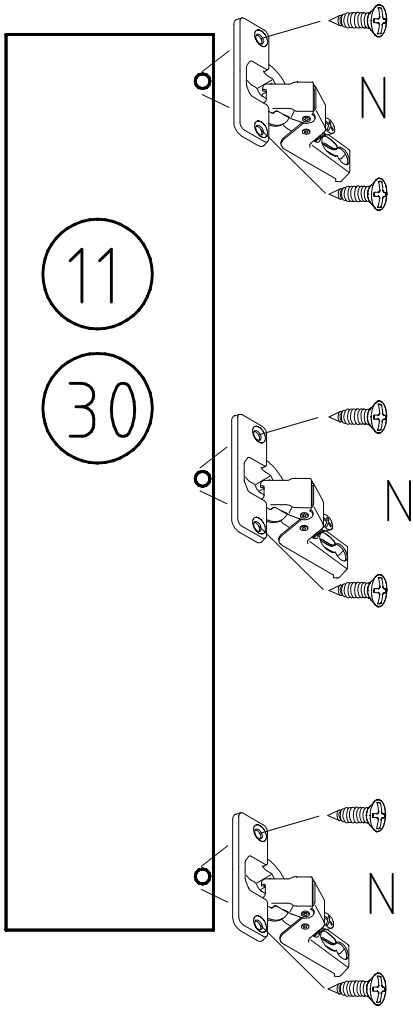
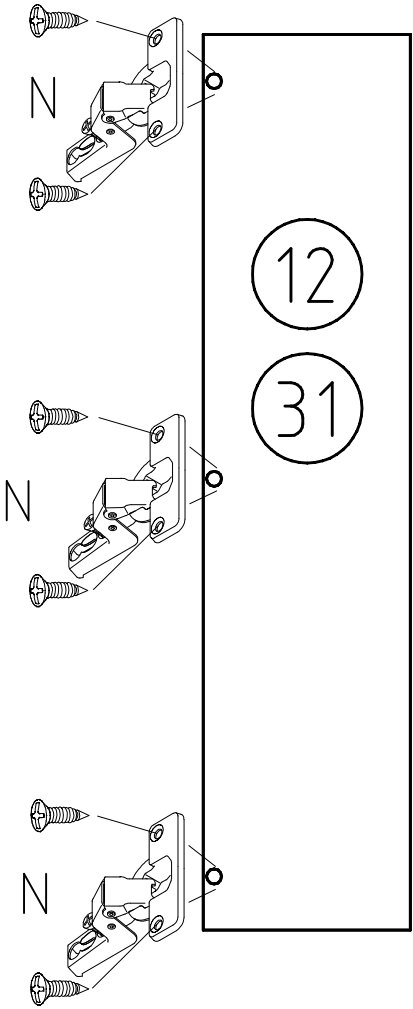
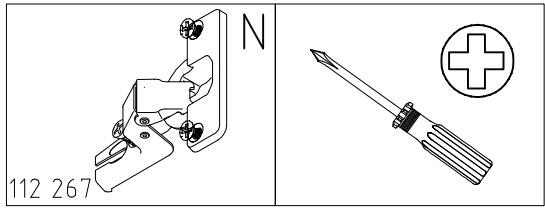
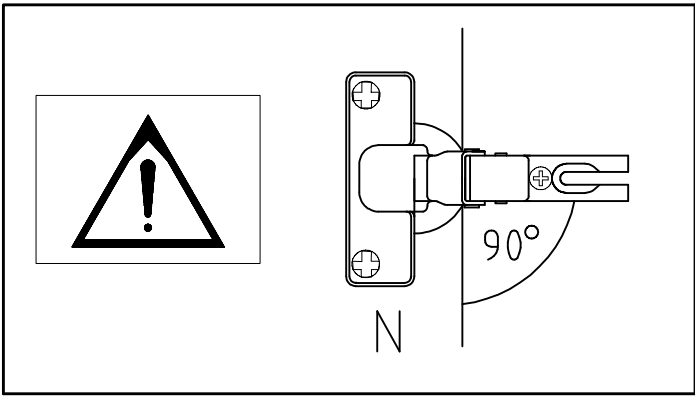
20

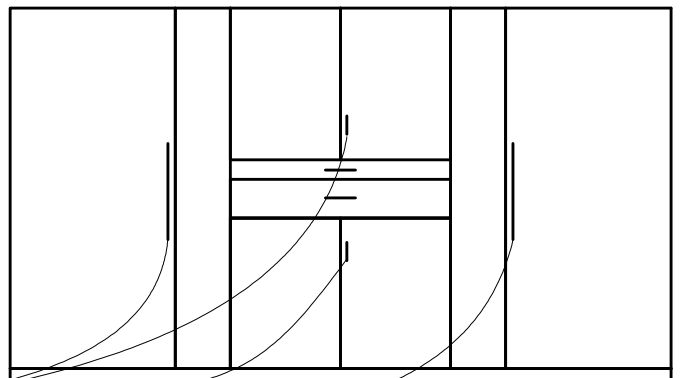
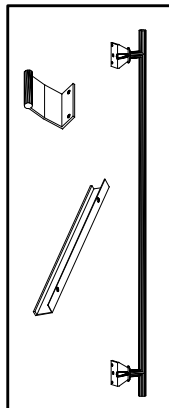
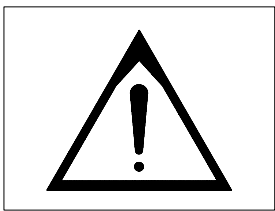
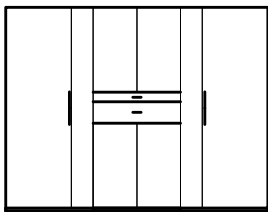
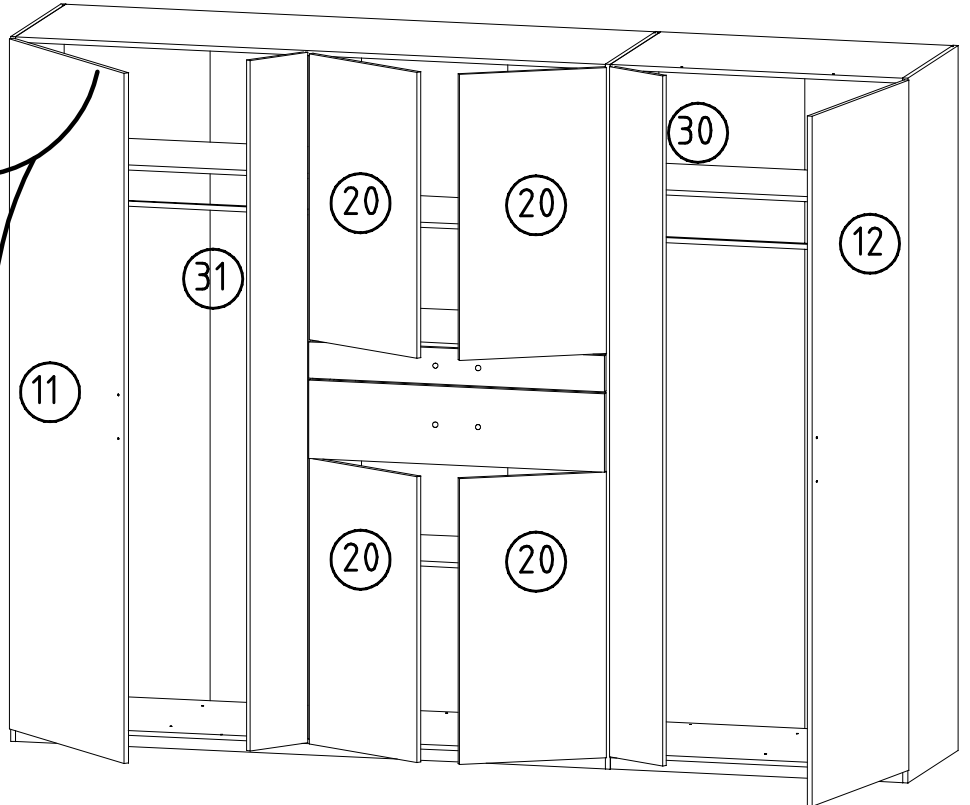
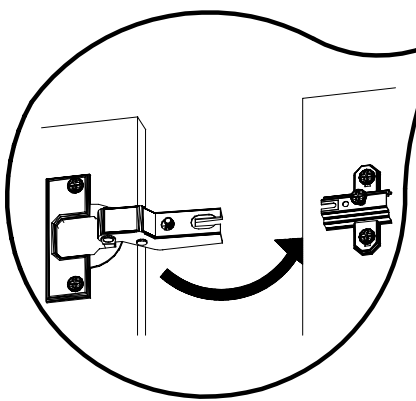
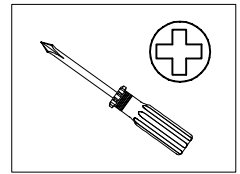
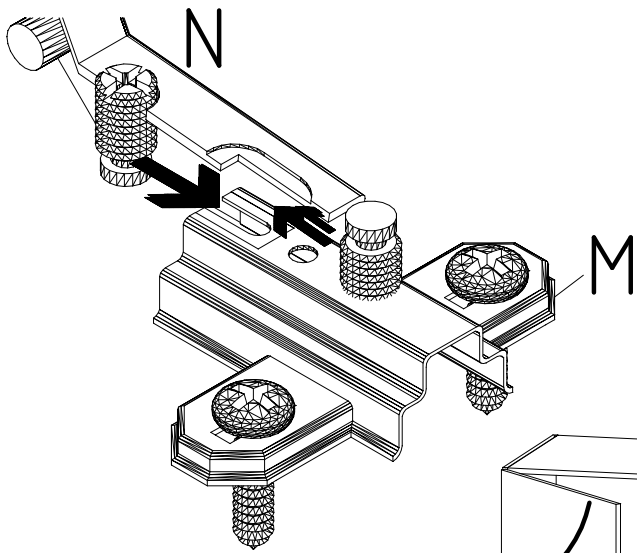


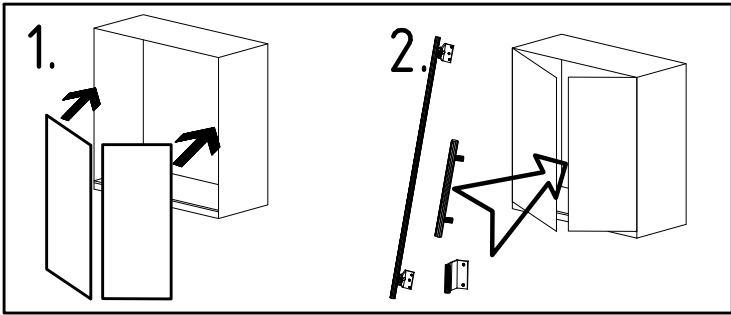
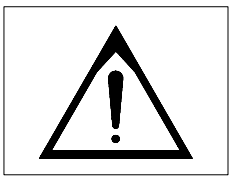
90°

21

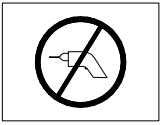
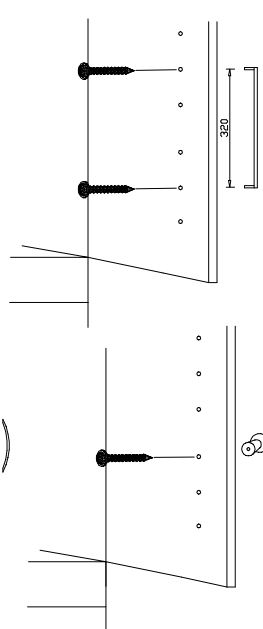
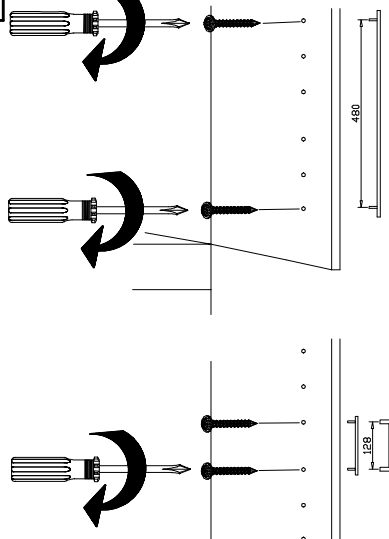
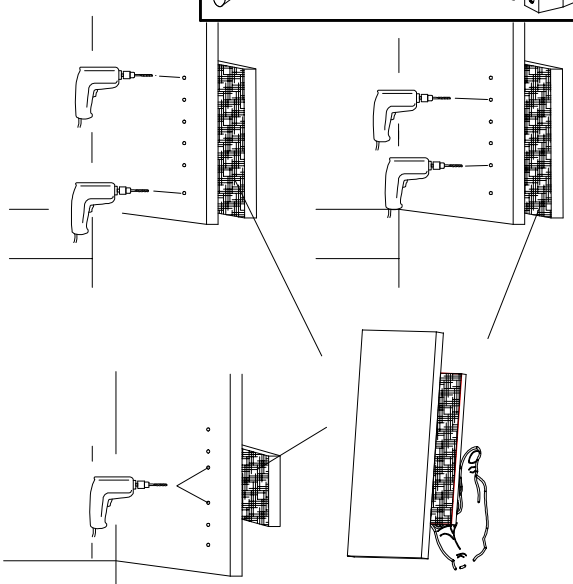
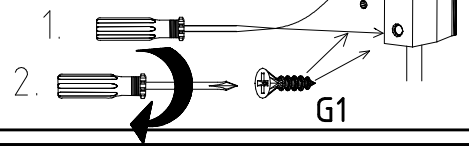
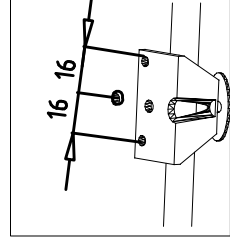
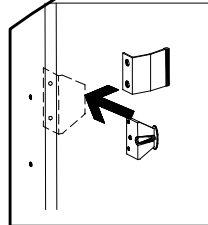
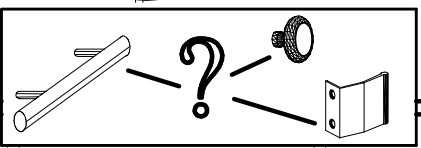
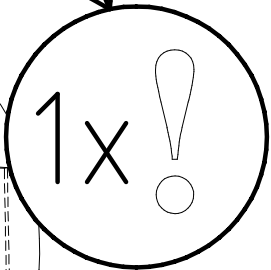
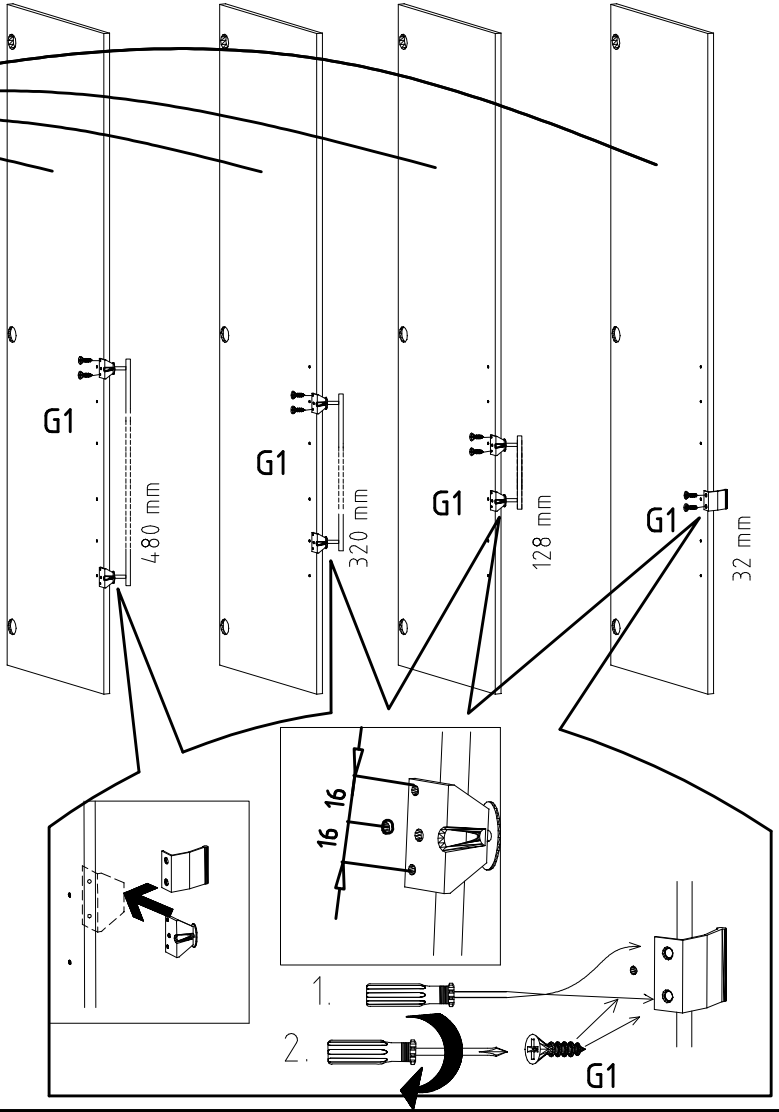
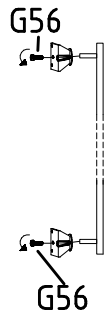
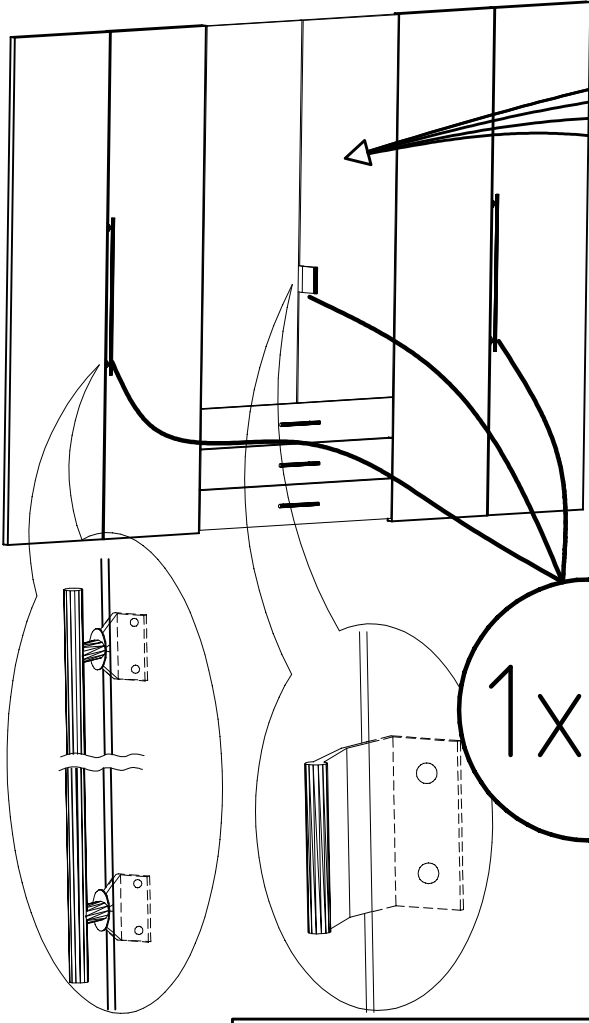








3,5 x 15 mm 121 370 	G1	4,0 x 12 mm 122 625 	G56
----------------------------	----	----------------------------	-----



	SP27
4 X 27mm 122620 4,0x22 122 609 	G49

