
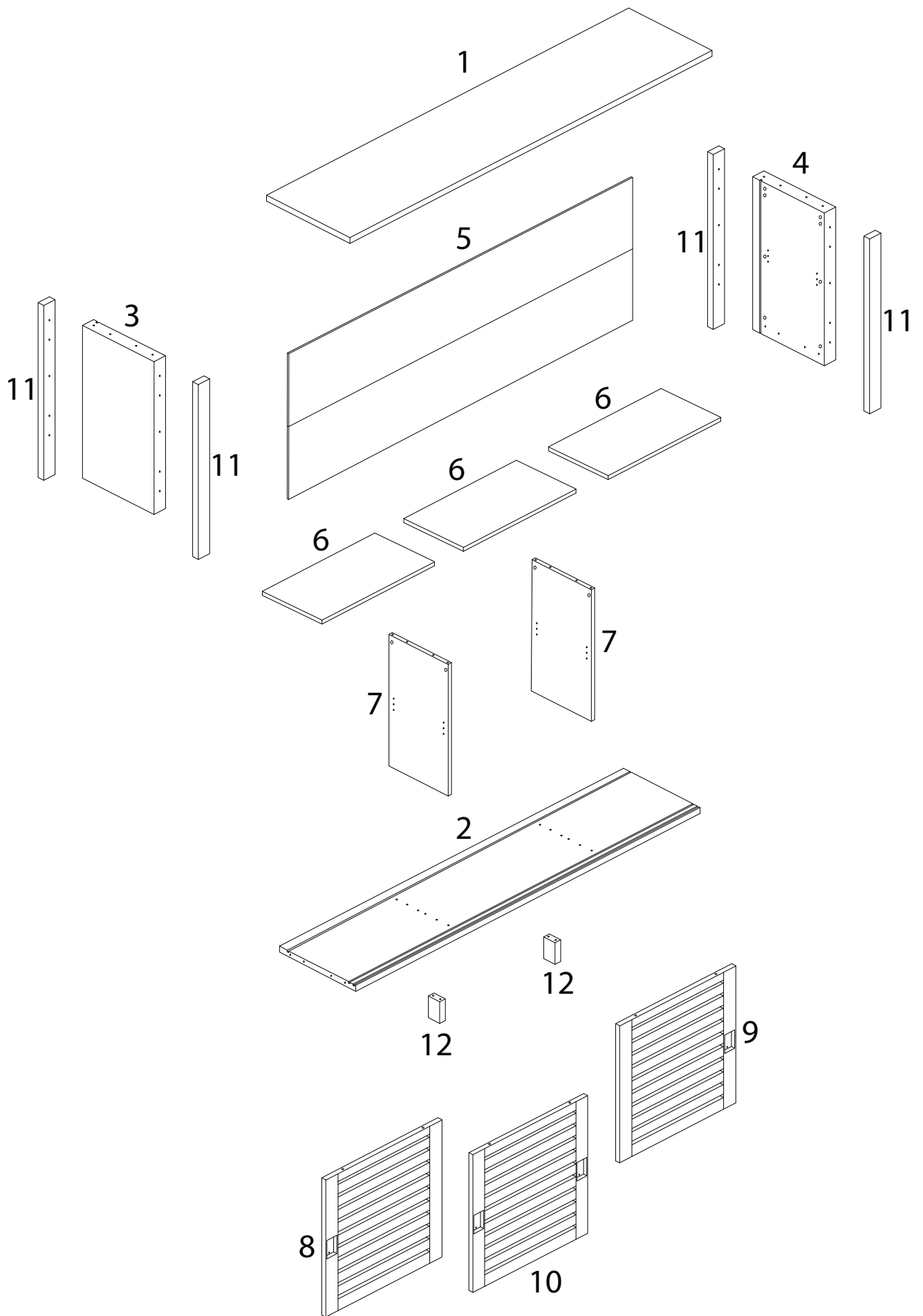
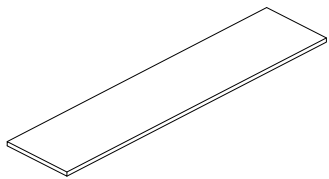
	<p>80'</p>
		
		<p>2</p>

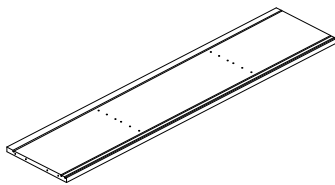


1



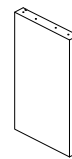
x 1

2



x 1

3



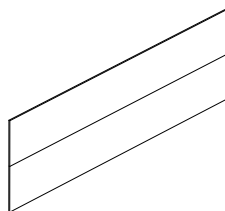
x 1

4



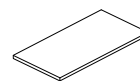
x 1

5



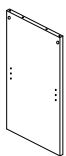
x 1

6



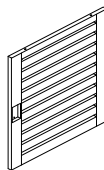
x 3

7



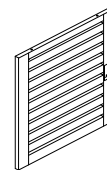
x 2

8



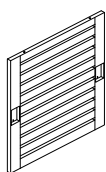
x 1

9



x 1

10



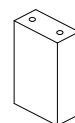
x 1

11



x 4

12



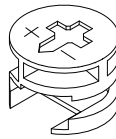
x 2

A



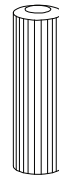
x 24

B



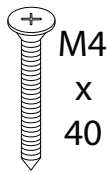
x 24

C



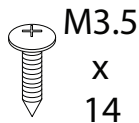
x 24

D



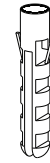
x 10

E



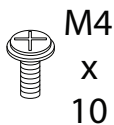
x 2

F



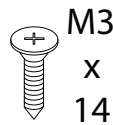
x 2

G



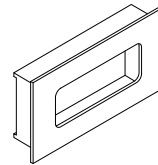
x 8

H



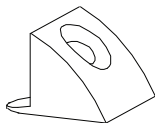
x 22

I



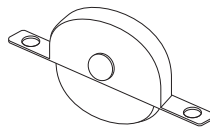
x 4

J



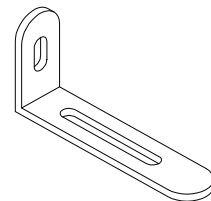
x 10

K



x 6

L



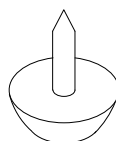
x 2

M



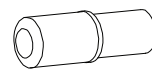
x 6

N



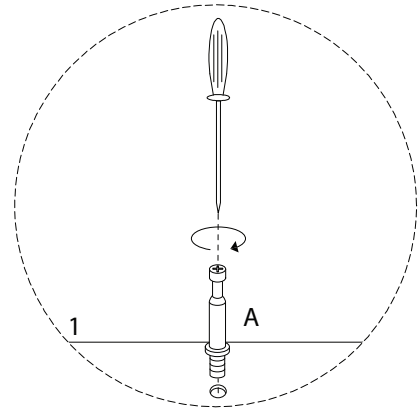
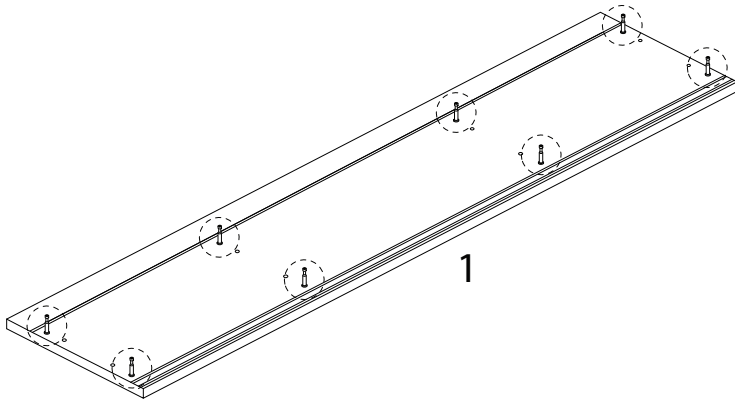
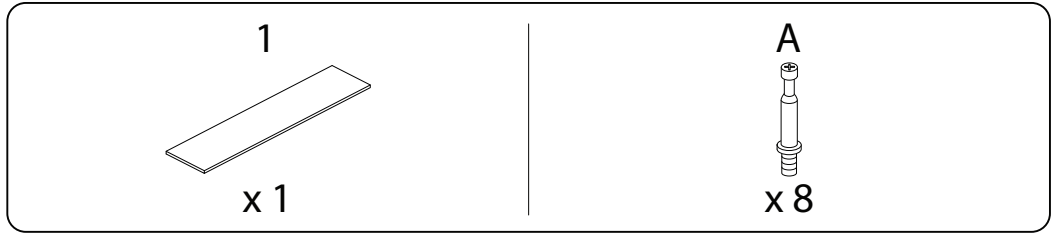
x 6

O

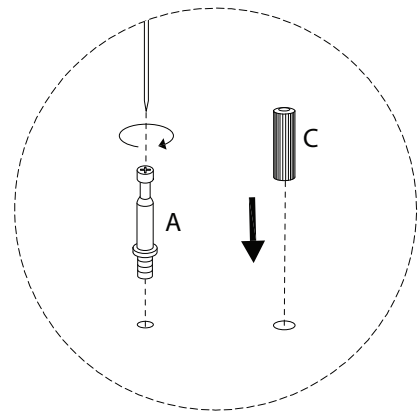
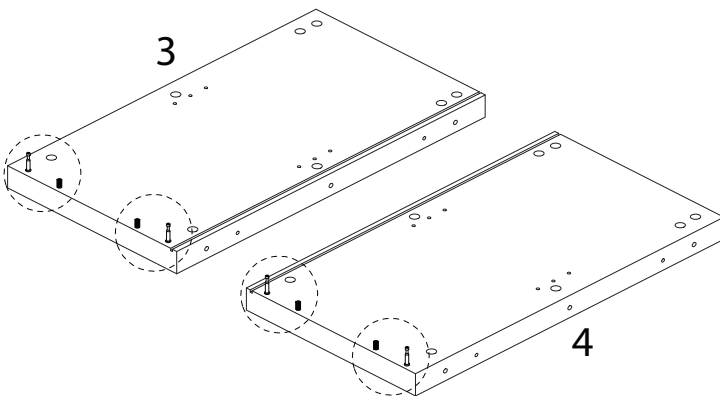
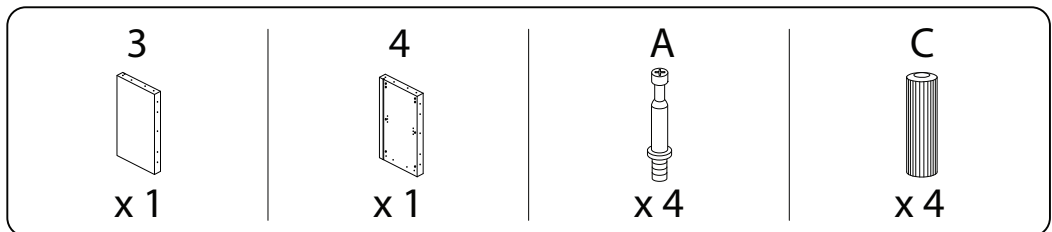


x 12

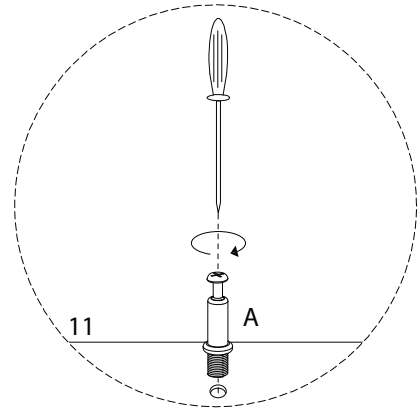
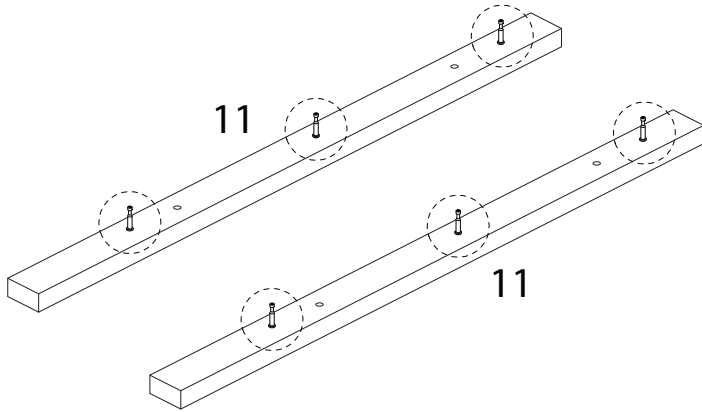
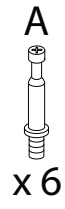
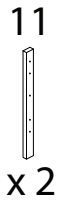
1



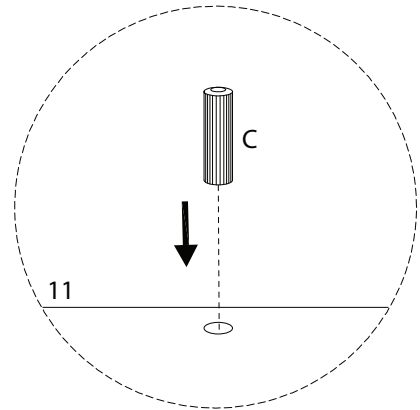
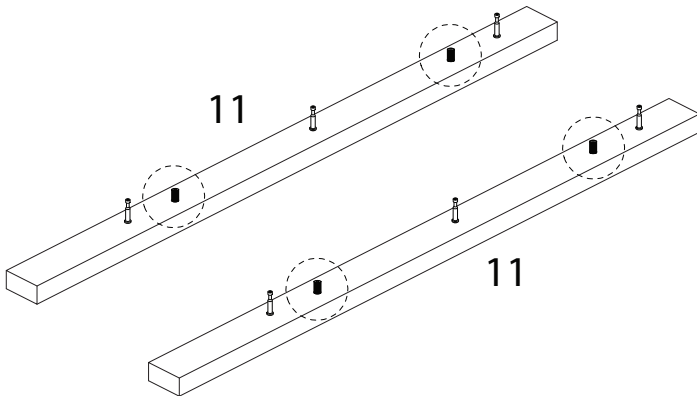
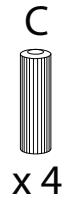
2



3 x 2



4 x 2



5 x 2

12

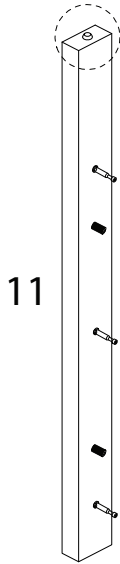


x 1

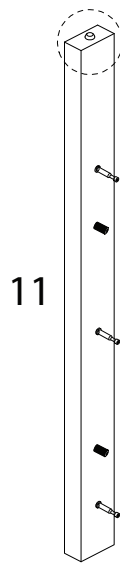
N



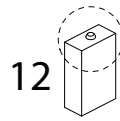
x 3



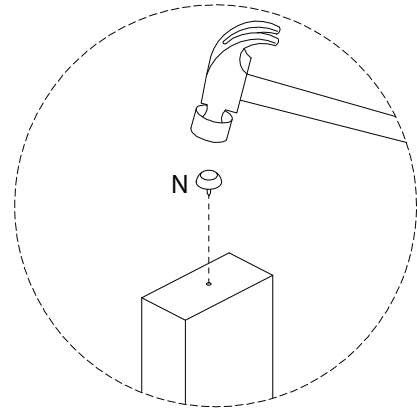
11



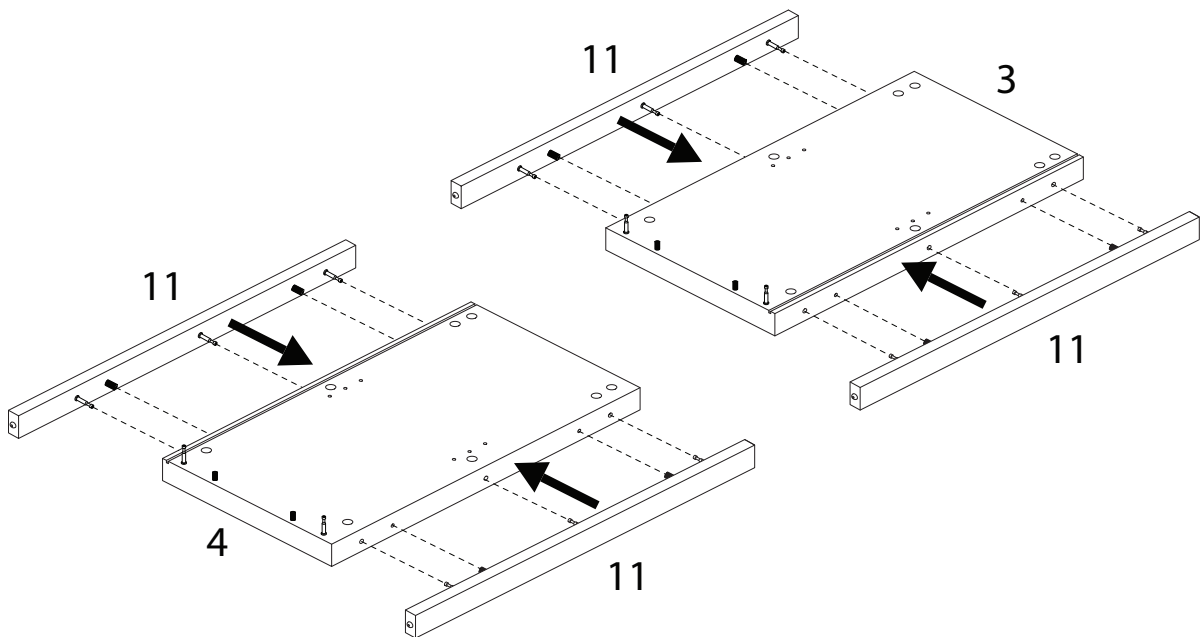
11



12



6

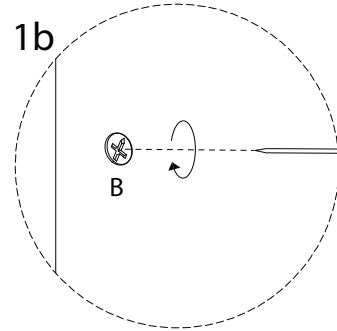
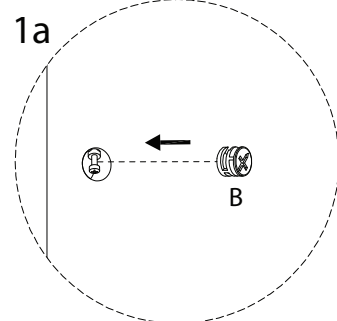
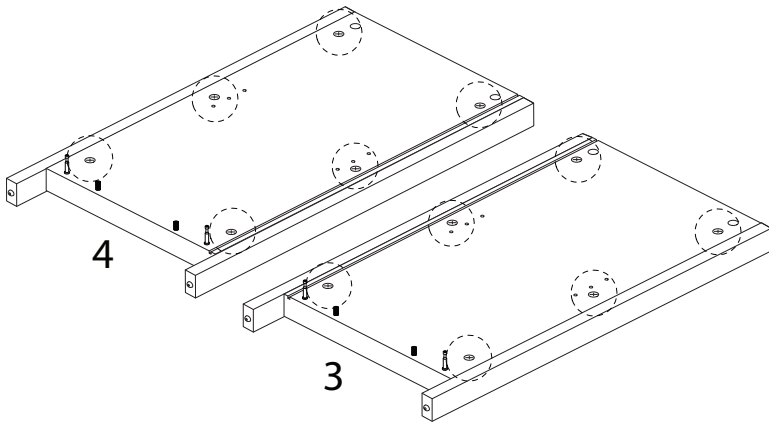


7

B

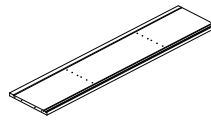


x 12

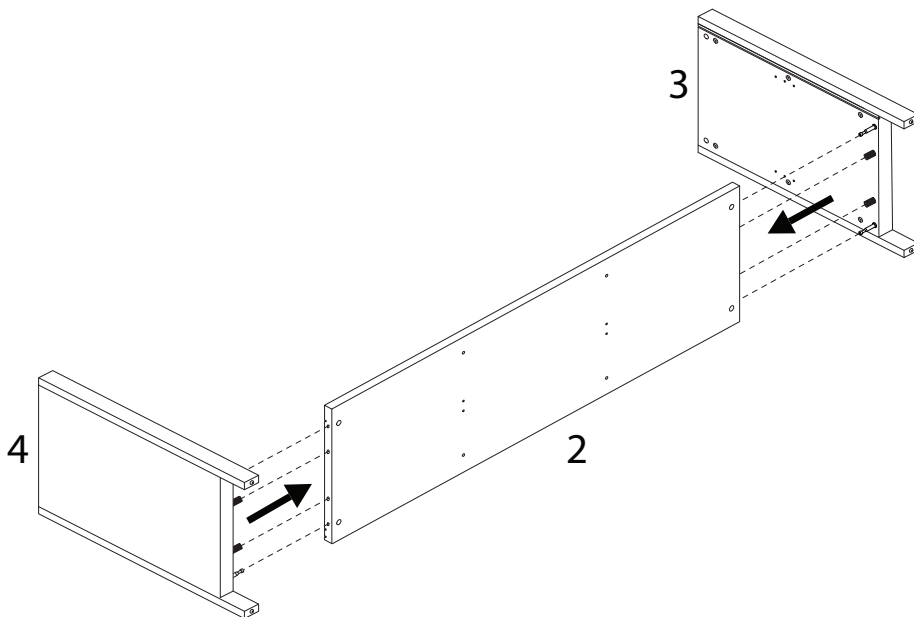


8

2



x 1

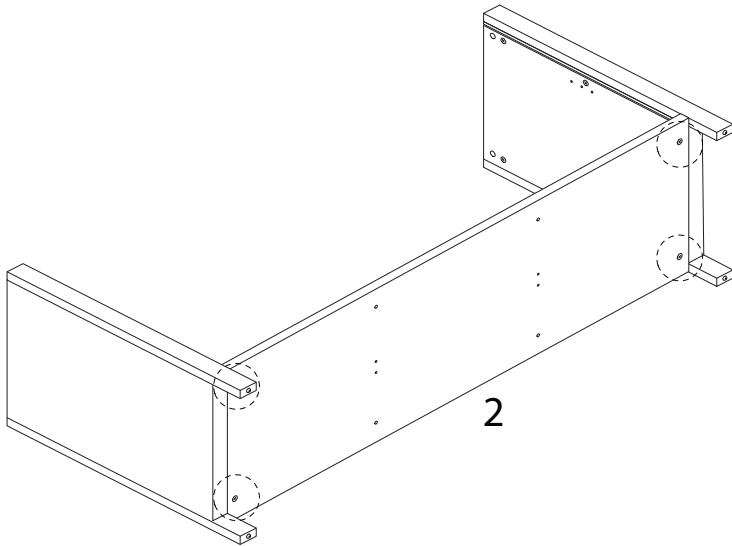


9

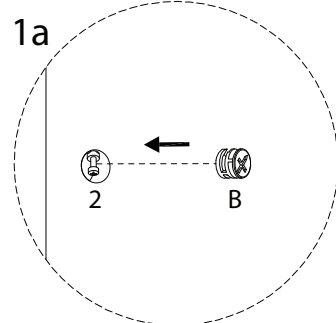
B



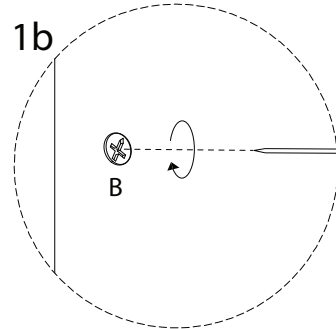
x 4



1a



1b



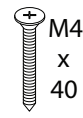
10

12

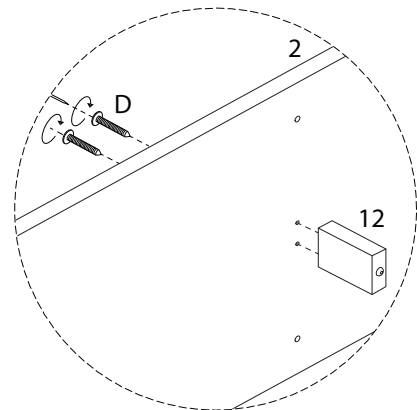
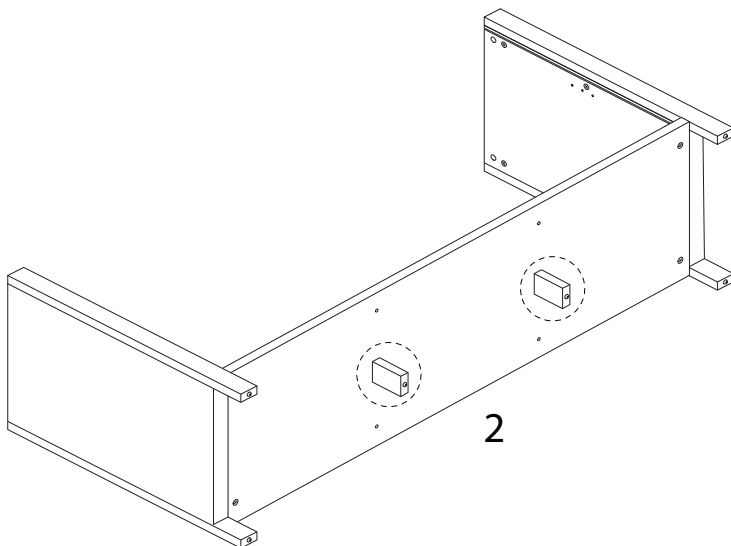


x 2

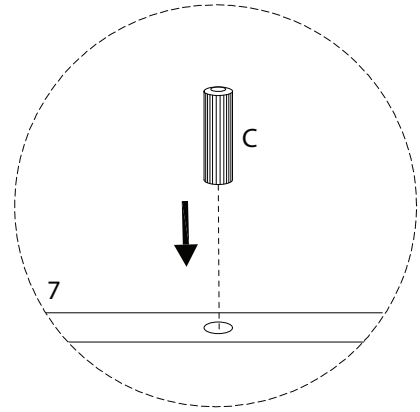
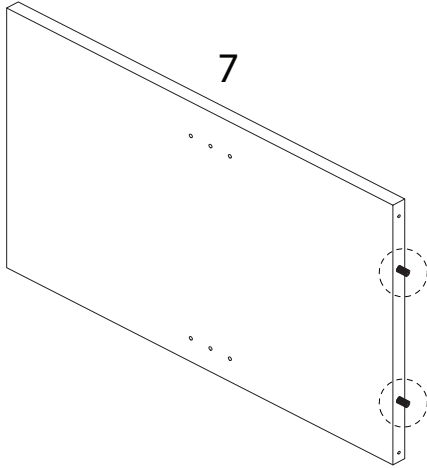
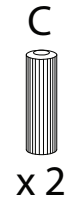
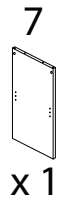
D



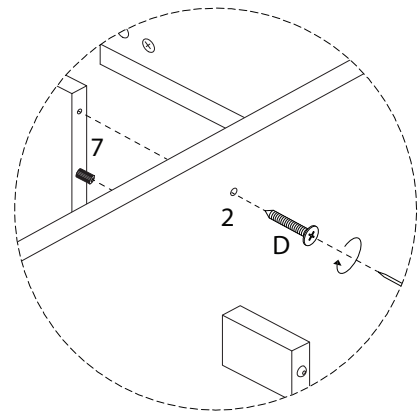
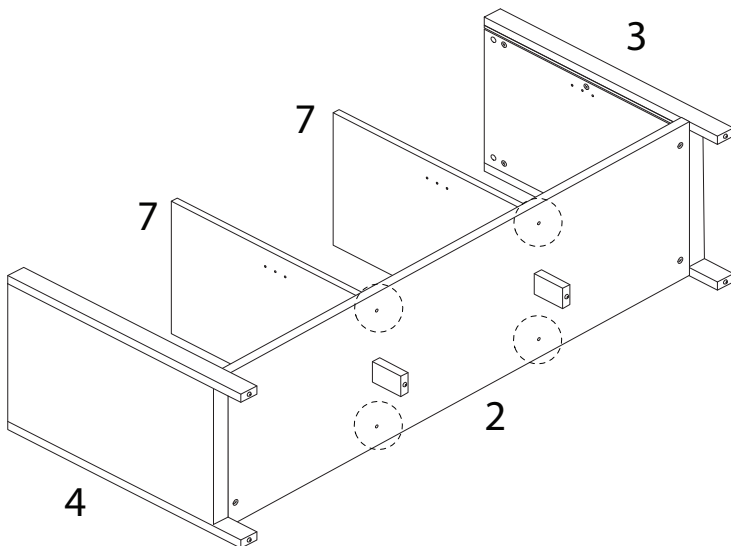
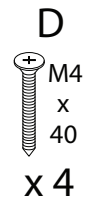
x 4



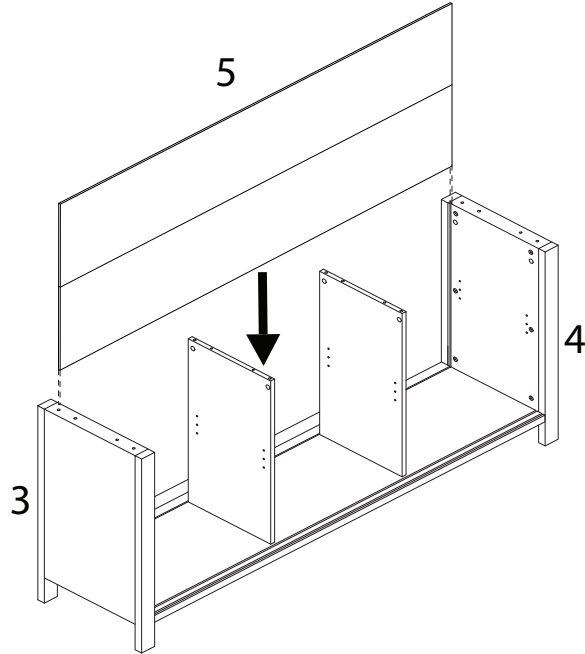
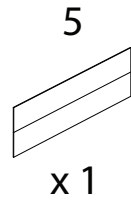
11 x 2



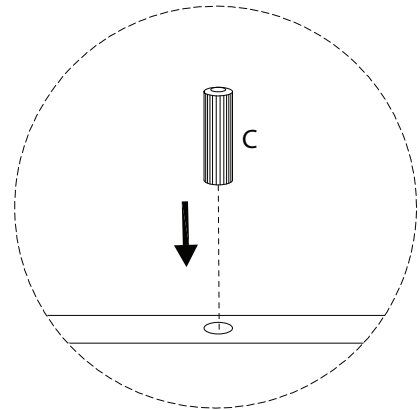
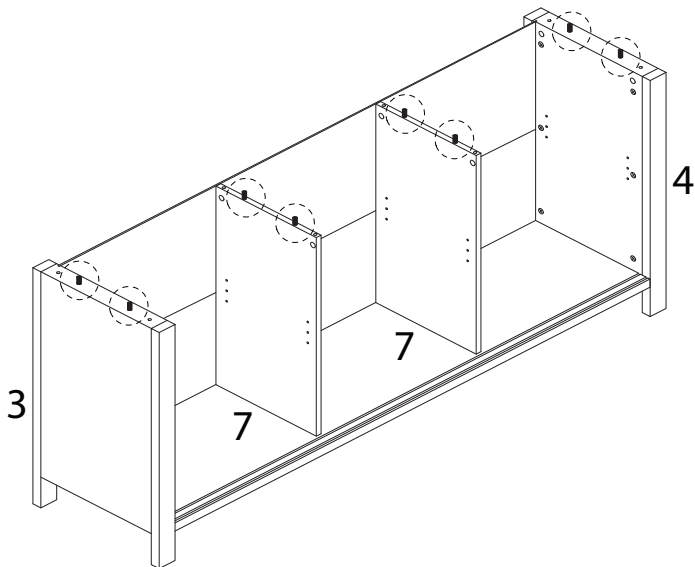
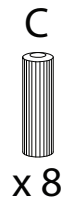
12



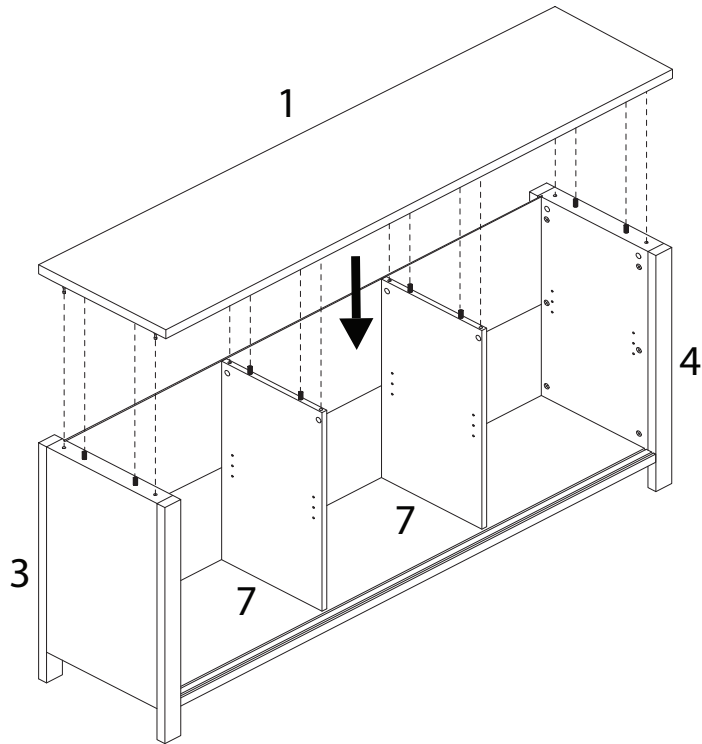
13



14



15

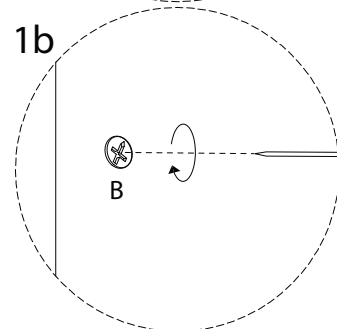
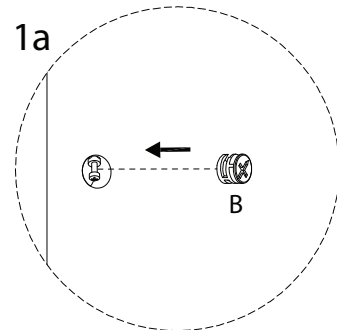
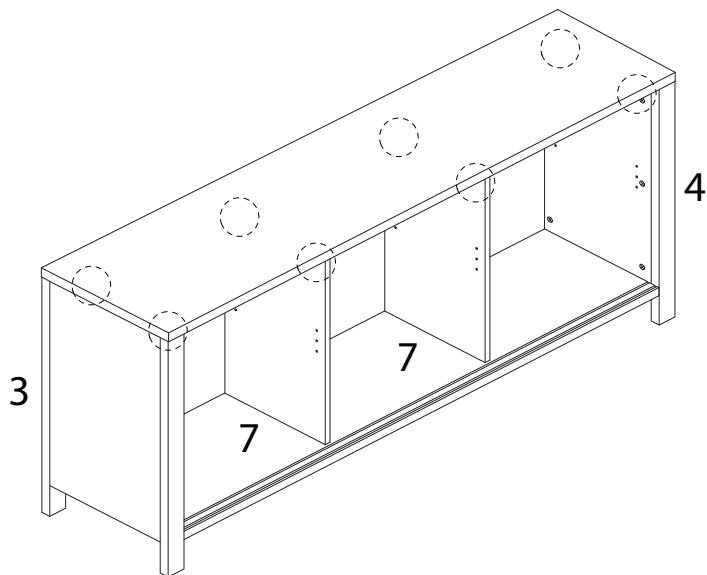


16

B

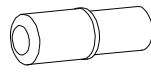


x 8

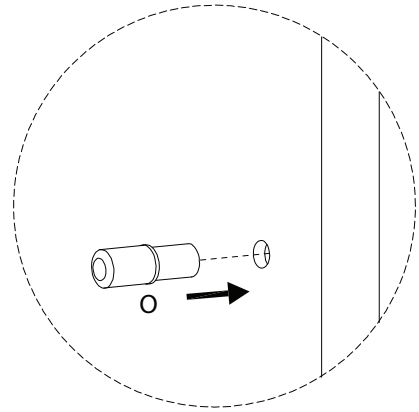
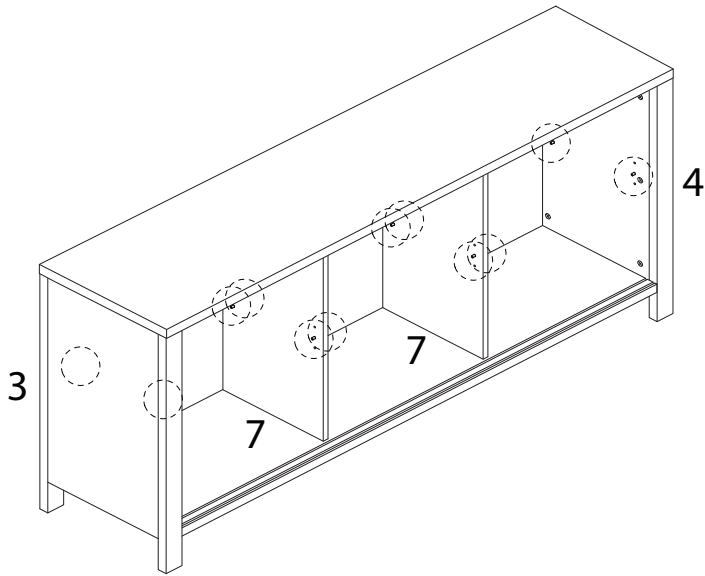


17

0

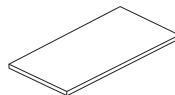


x 12

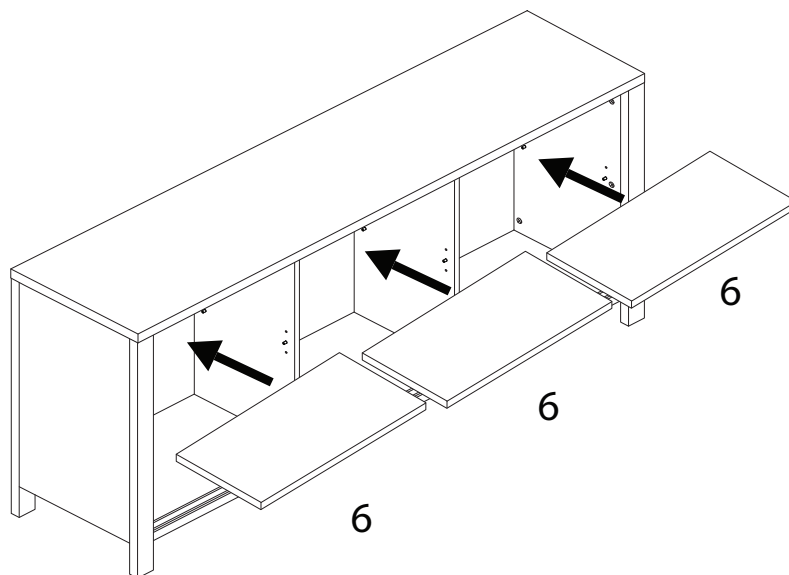


18





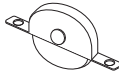
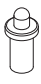
6

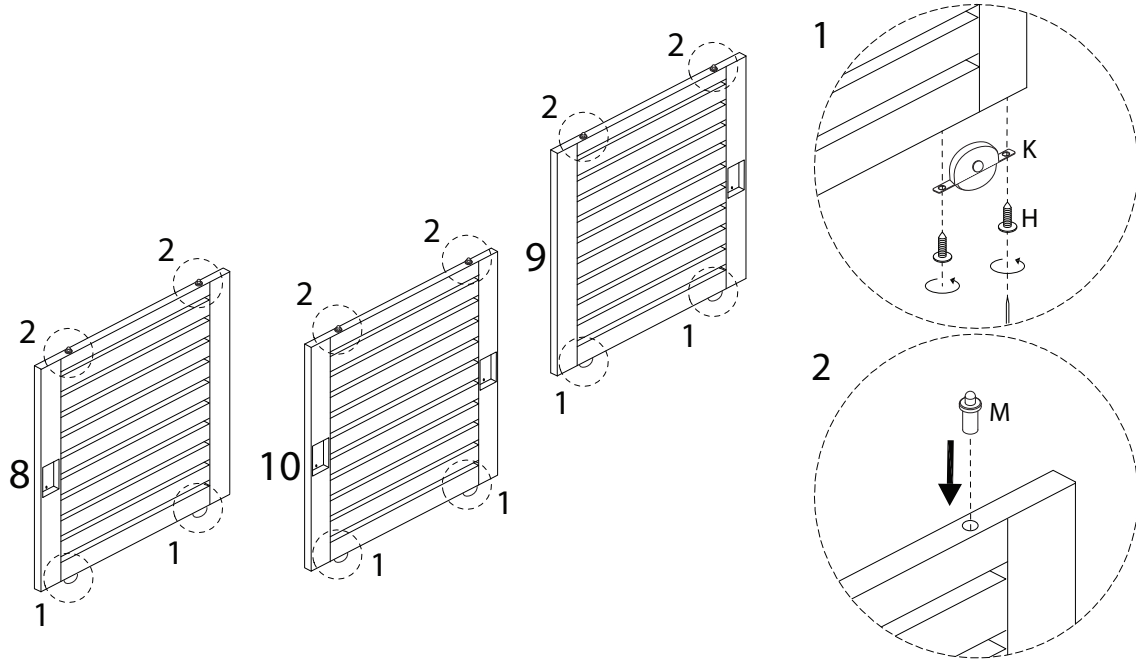


x 3


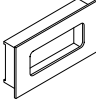


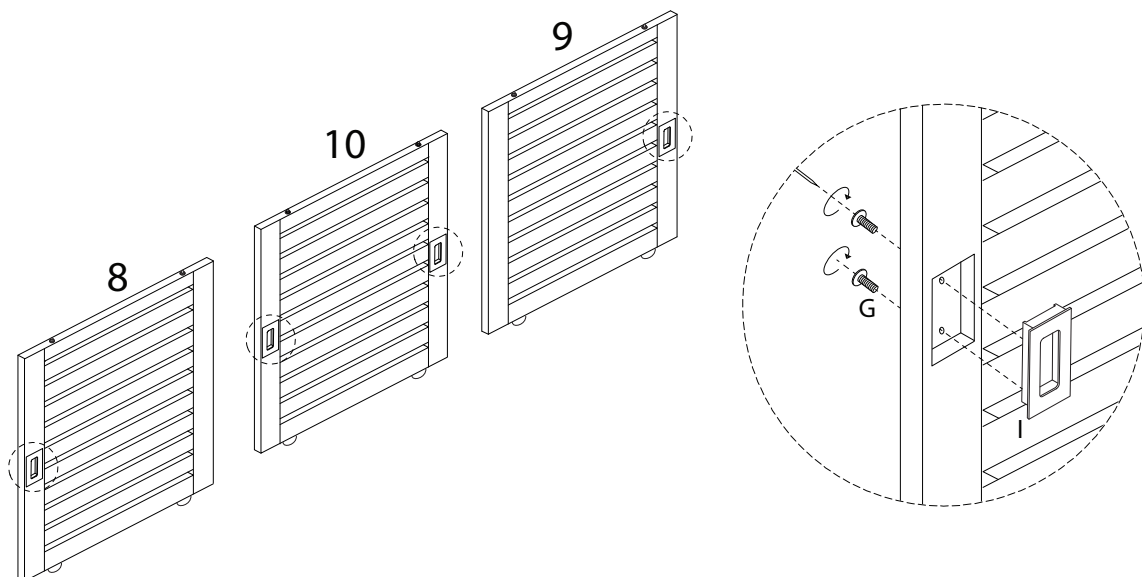
19

8  x 1	9  x 1	10  x 1	H  x 12	K  x 6	M  x 6
--	--	---	---	--	--

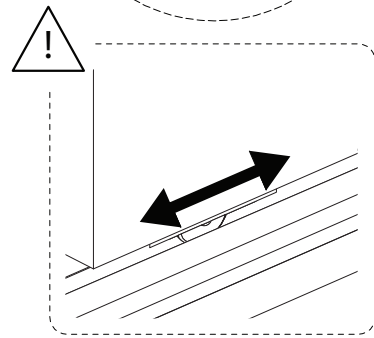
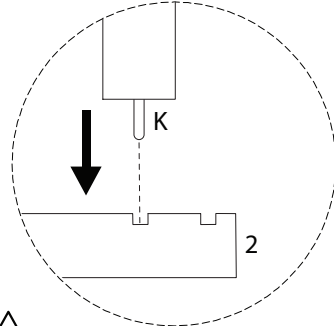
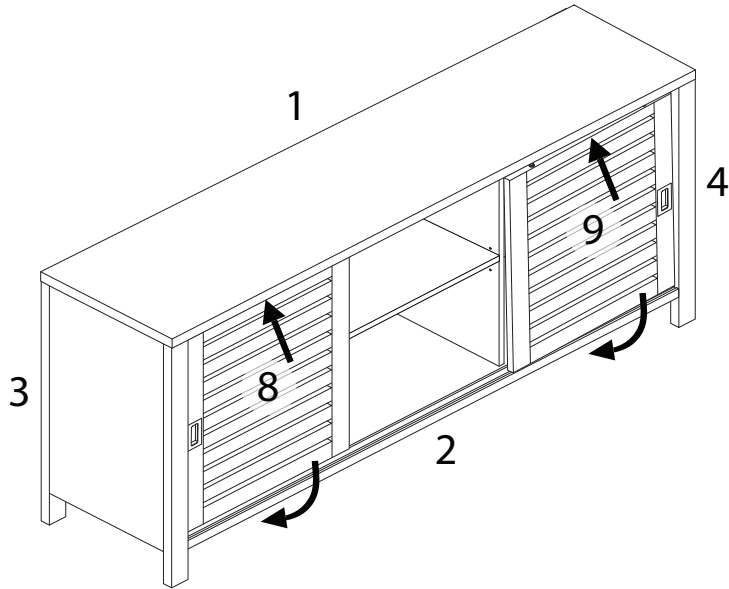


20

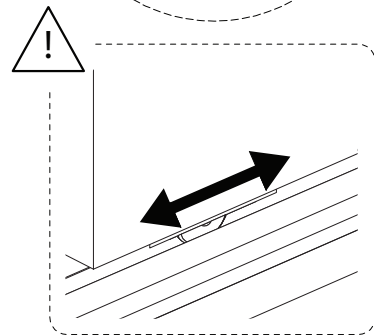
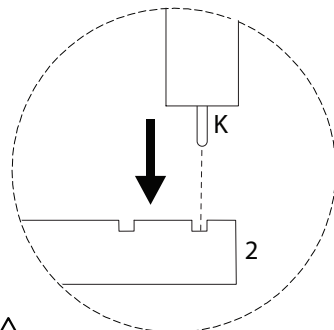
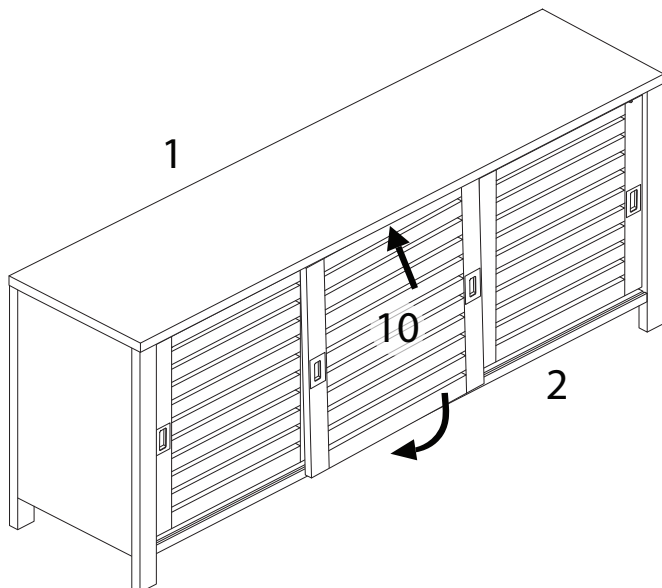
G  x 8	I  x 4
--	--



21

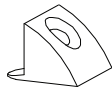


22



23

J

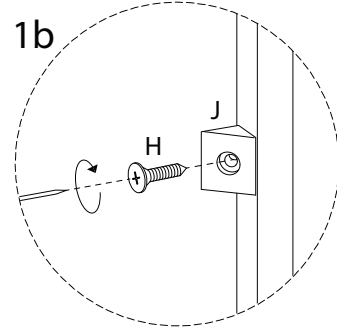
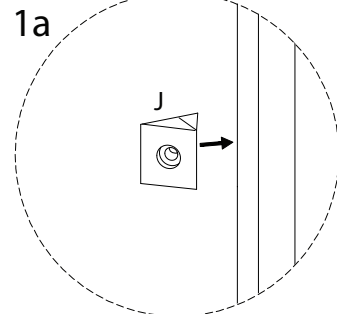
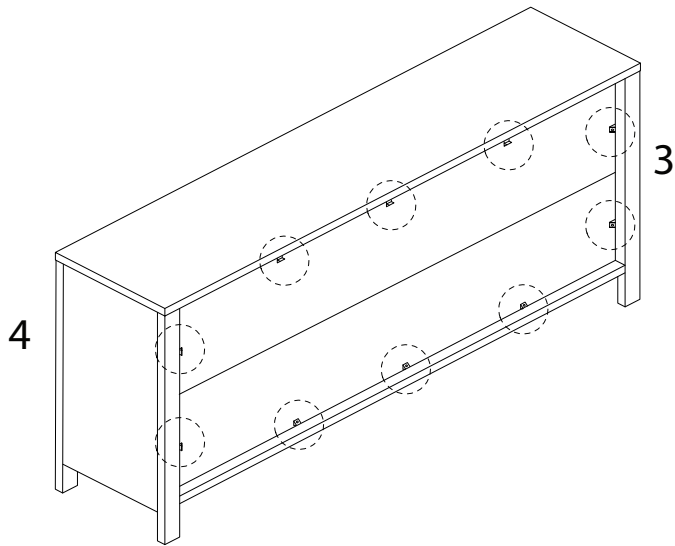


x 10

H

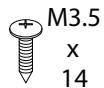


x 10



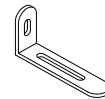
24

E

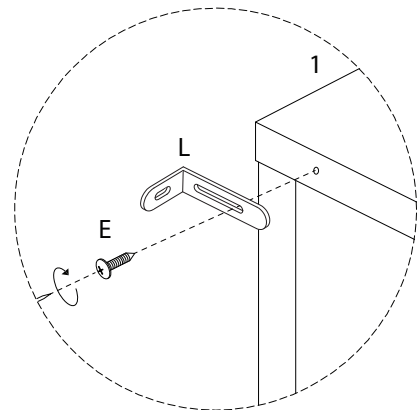
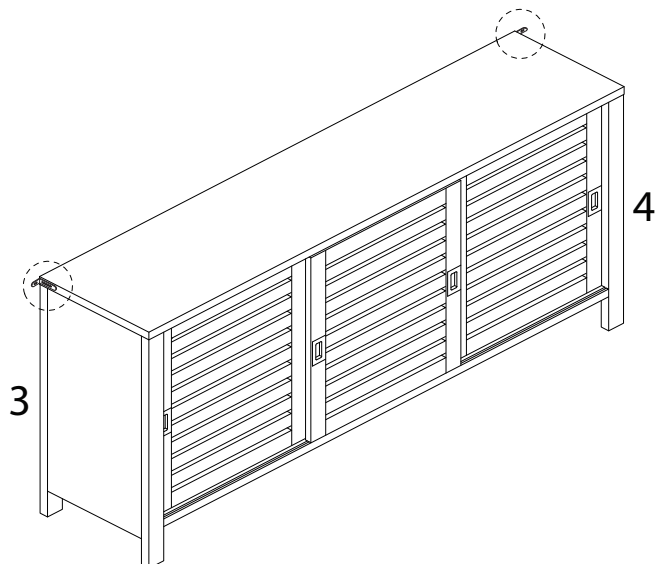


x 2

L



x 2



25

