

# Assembly Instructions

## **WARNING!!**

### **Furniture Tipping Risk.**

Serious risk of severe or fatal crush injuries can occur from furniture tipping over if not secured.

**Children like to climb on furniture and Unsecured furniture can pose a serious danger.**

Please follow all instructions and install the tip-over restraints provided.

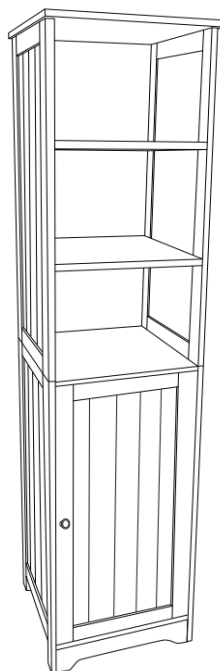
In addition to installing the restraints, to help prevent tip-over:

1. Place heaviest items in the lowest drawers;
2. Unless specifically designed to accommodate, do not set TV's or other heavy objects on top of this product;
3. Never allow children to climb or hang on drawers, doors, or shelves;
4. Do not leave drawers open;
5. Never open more than one drawer at a time;
6. Do not step on the base.

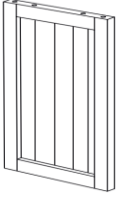

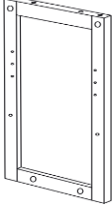

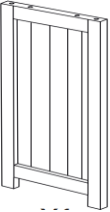

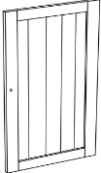
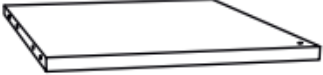
**Caution : You must read this before you proceed**


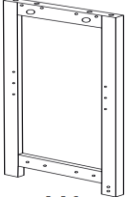
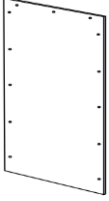

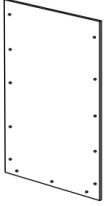


Please look in the velcro pouch for hardware packs and legs.

## Cabinet





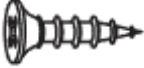
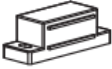








# Parts List

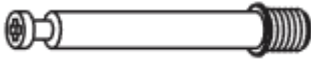




| Label | Picture   | Description            | QTY |
|-------|---|------------------------|-----|
| A     |    | Upper Left Side Panel  | 1   |
| B     |    | Immovable Shelf Panel  | 1   |
| C     |    | Upper Right side Panel | 1   |
| D     |  | Top Panel              | 1   |
| E     |  | Lower Left Side Panel  | 1   |
| F     |  | Cabinet Top Panel      | 1   |
| G     |  | Door Panel             | 1   |
| H     |  | Bottom Panel           | 1   |

|   |   |                        |   |
|---|---|------------------------|---|
| I |    | Bottom Base            | 1 |
| J |    | Lower Right Side Panel | 1 |
| K |    | Upper Back Panel       | 1 |
| L |    | Plastic Bar            | 1 |
| M |  | Lower Back Panel       | 1 |
| N |  | Upper Shelf Panel      | 1 |
| O |  | Cabinet Shelf Panel    | 1 |



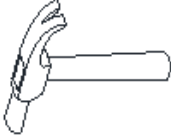

## Hardware

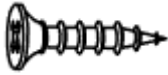

| Label | Picture   | Description       | QTY |
|-------|---|-------------------|-----|
| ①     |  | Dowel<br>(6X30mm) | 21  |

|   |   |                       |    |
|---|---|-----------------------|----|
| ② |    | Screw<br>(M2.5x10mm)  | 25 |
| ③ |    | Screw<br>(M3x14mm)    | 3  |
| ④ |    | Magnet                | 1  |
| ⑤ |    | Screw<br>(M4x16mm)    | 2  |
| ⑥ |    | Door Knob             | 1  |
| ⑦ |   | Screw<br>(M3x12mm)    | 3  |
| ⑧ |  | Magnetic Bar          | 1  |
| ⑨ |  | Iron Shaft            | 2  |
| ⑩ |  | Shelf Support         | 9  |
| ⑪ |  | Cam Bolt<br>(M6X35mm) | 17 |
| ⑫ |  | Cam Nut<br>(M9X15mm)  | 21 |

|   |  |                               |   |
|---|--|-------------------------------|---|
| ⑬ |   | Cam Bolt<br>(M6X40mm)         | 5 |
| ⑭ |   | Cam Lock<br>(M10X10mm)        | 5 |
| ⑮ |   | Screwdriver<br>(Not Provided) | 1 |
| ⑯ |   | Pad                           | 5 |
| ⑰ |  | Cover                         | 5 |

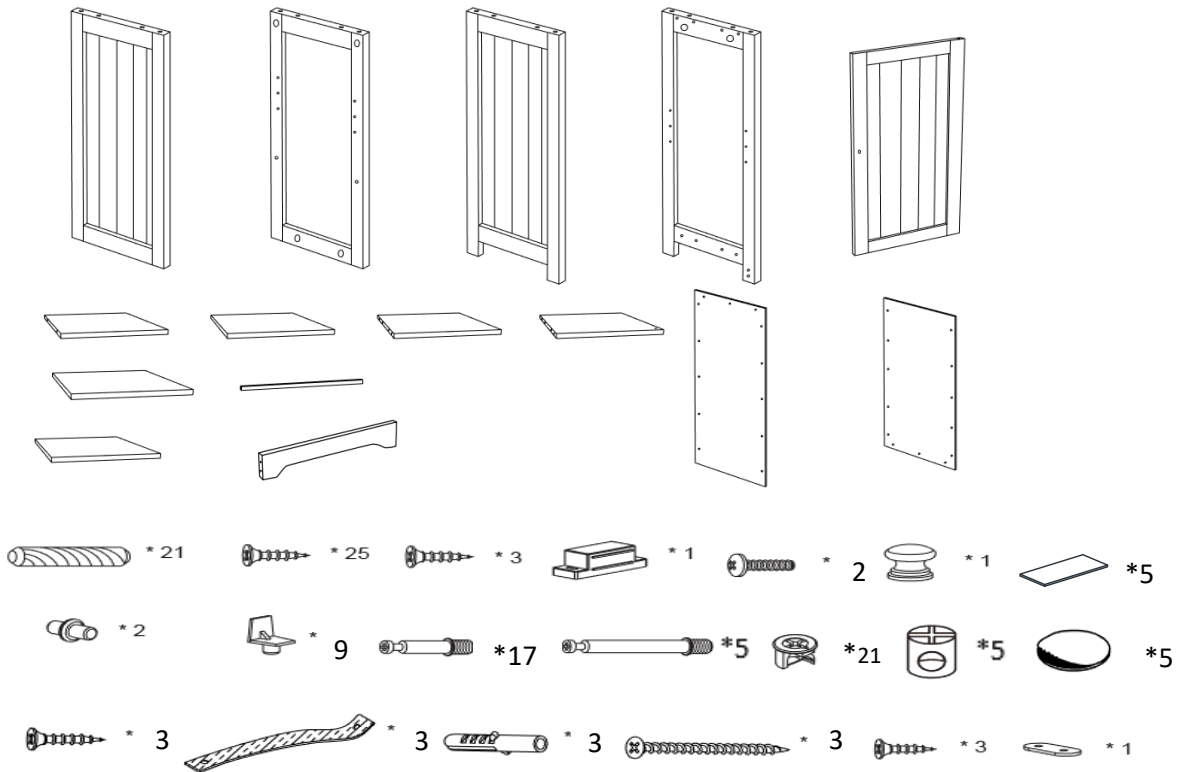
### Restraint Device Hardware

|   |   |                               |   |
|---|---|-------------------------------|---|
| ⑱ |  | Screw<br>(M4x40mm)            | 3 |
| ⑲ |  | Wall Anchor                   | 3 |
| ⑳ |  | Hammer<br>(Not Provided)      | 1 |
| ㉑ |  | Power Drill<br>(Not Provided) | 1 |

|    |   |                    |   |
|----|---|--------------------|---|
| ②② |  | Screw<br>(M3x14mm) | 3 |
| ②③ |  | Restraint Strap    | 3 |

## Assembly Preparation

Before Beginning Assembly:



- Lire les instructions en entier.



- Avoir deux adultes disponibles pour l'assemblage



- Ne pas faire l'assemblage au sol ou sur un tapis



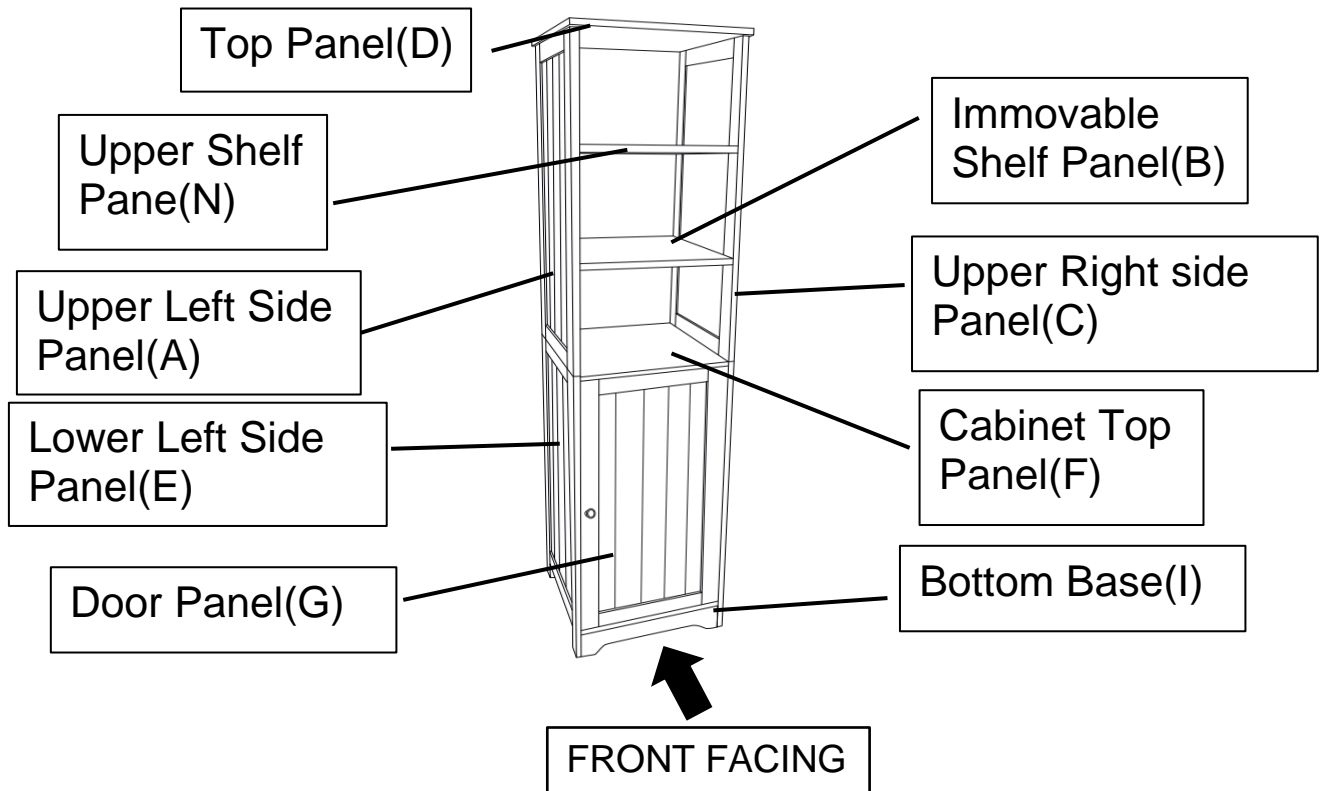
- Assembler sur une surface non-marquant propre (mousse)



- Garder les emballages jusqu'à la fin de l'assemblage

# Assembly Steps

## Overview

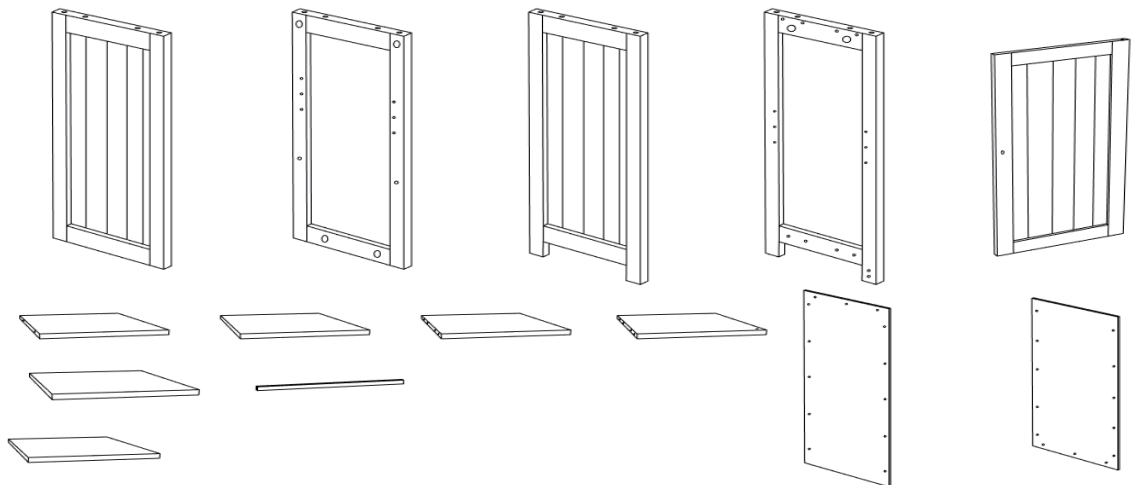


This Cabinet has multiple parts and may require up to 30 minutes to assemble.

To give you an overview of the Cabinet parts, the above picture is to help you put the various parts into perspective.

Please read through the instructions below to familiarise yourself with the parts and steps before assembly.

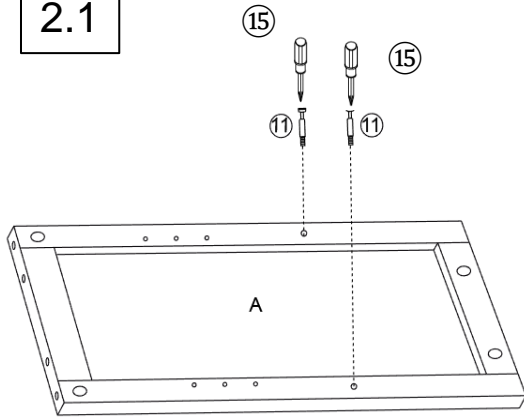
## Step 1



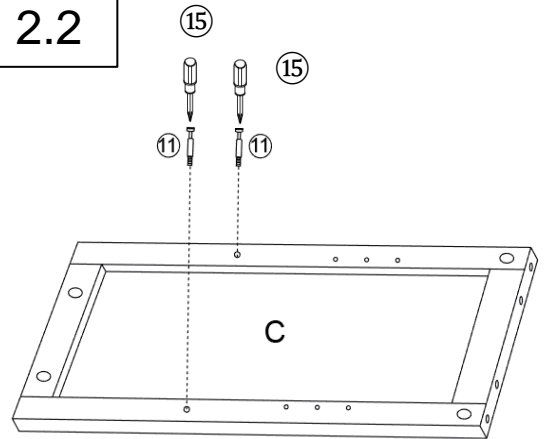
Unpack and place all parts on a clean, non-marring surface.

## Step 2

2.1



2.2

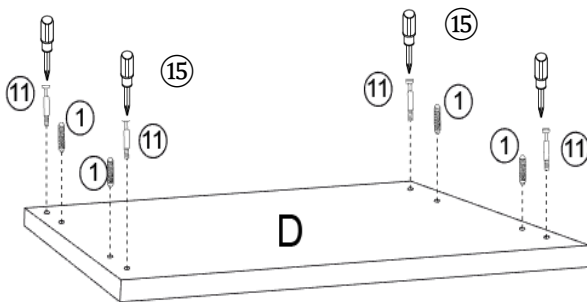


2.1) Attach Cam Bolt(11) to the Upper Left Side Panel(A) Using Screwdriver(15) as shown.

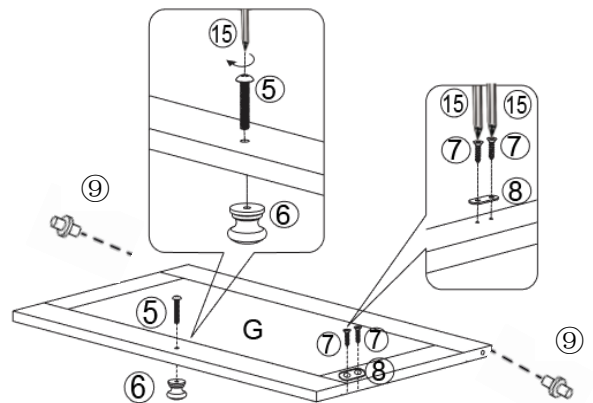
2.2) Attach Cam Bolt(11) to Right Side Panel(C) Using Screwdriver(15) as shown.

## Step 3

3.1



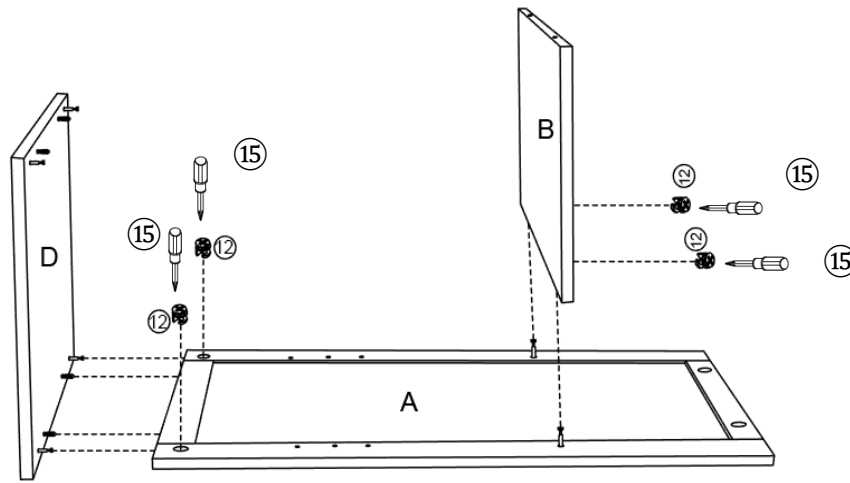
3.2



3.1) Attach Cam Bolt(11) to Top Panel(D) Using Screwdriver(15) as shown. Insert Dowel(1) into the mounting positions on Top Panel(D).

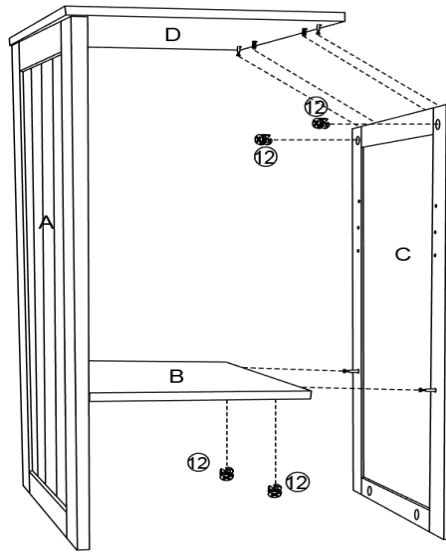
3.2) Attach Magnetic Bar(8) to the Door Panel(G) Using Screw(7) with Screwdriver(15) as shown. Attach Door Knob(6) to the Door Panel(G) Using Screw(5) with Screwdriver(15). Attach Iron Shaft(9) to the mounting positions on Door Panel(G) as shown.

## Step 4



Attach Upper Left Side Panel(A) to the Cam Bolt and Dowel on Top Panel(D), then insert the Cam Nut(12) into the mounting positions Upper Left Side Panel(A), lock by Cam Nut(12) with Screwdriver(15). Attach Immovable Shelf Panel(B) to the Cam Bolt on Upper Left Side Panel(A), lock by Cam Nut(12) with Screwdriver(15).

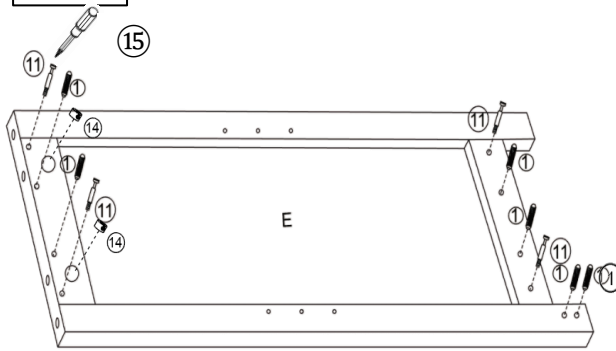
## Step 5



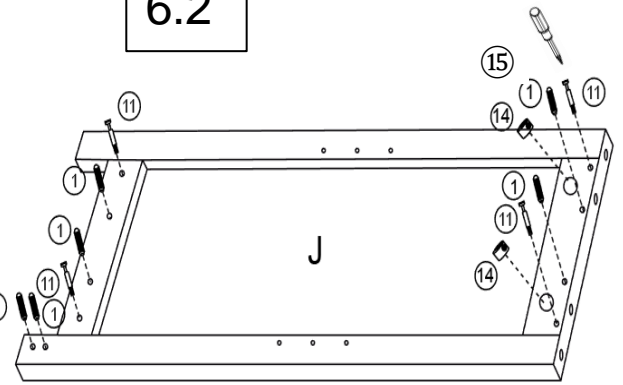
Attach Upper Right Side Panel(C) to the Top Panel(D) and Immovable Shelf Panel(B), lock by Cam Nut(12) with Screwdriver(15).

## Step 6

6.1



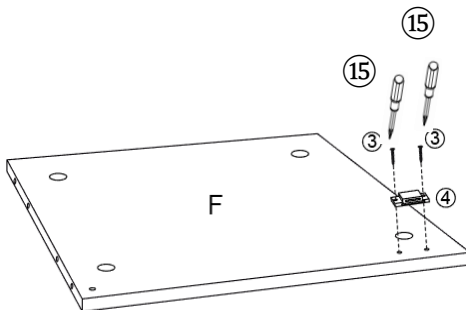
6.2



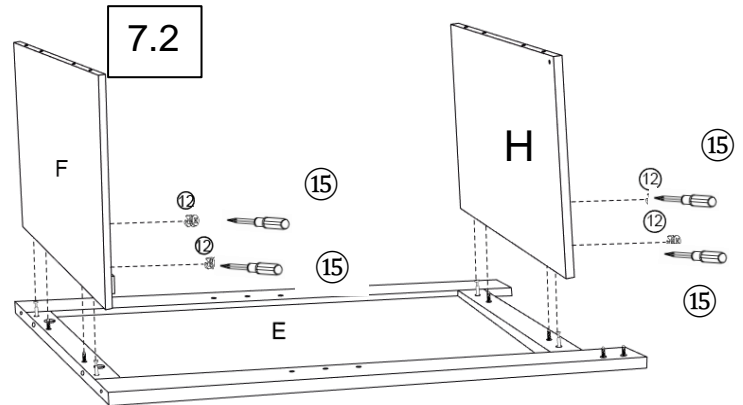
- 6.1) Insert Dowel(①) into the mounting positions on Lower Left Side Panel(E), attach Cam Bolt(⑪) to the Lower Left Side Panel(E) using Screwdriver(⑮). Insert Cam Lock(⑭) into the mounting positions on Lower Left Side Panel(E).
- 6.2) Insert Dowel(①) into the mounting positions on Lower Right Side Panel(J), attach Cam Bolt(⑪) to the Lower Right Side Panel(J) using Screwdriver(⑮). Insert Cam Lock(⑭) into the mounting positions on Lower Right Side Panel(J) .

## Step 7

7.1

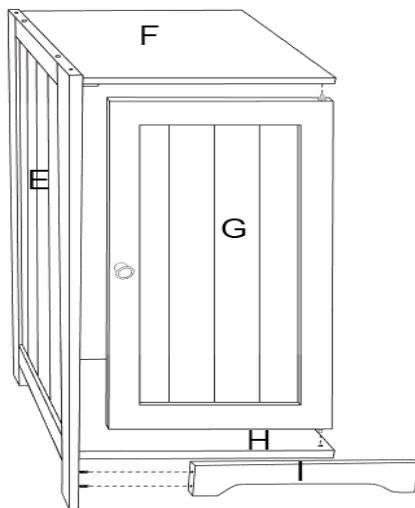


7.2



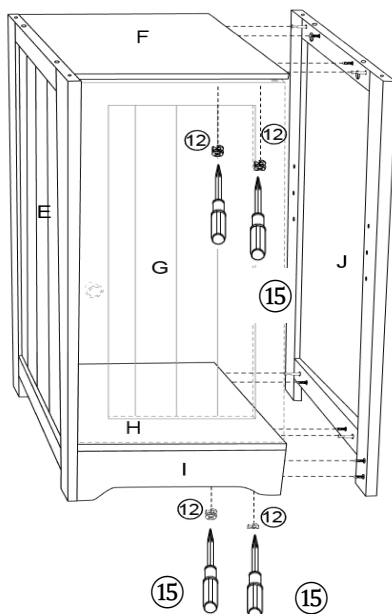
- 7.1) Attach Magnet(④) to the Cabinet Top Panel(F) using Screw(③) with Screwdriver(⑮).
- 7.2) Attach Cabinet Top Panel(F) and Bottom Panel(H) to the Lower Left Side Panel(E), lock by Cam Nut(⑫) with Screwdriver(⑮).

## Step 8



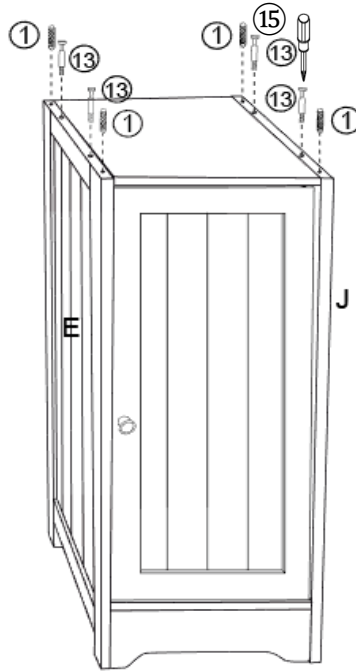
Insert Iron Shaft on the Door Panel(G) into the mounting positions on Cabinet Top Panel(F) and Bottom Panel(H), then attach Bottom Base(I) to the dowel on Lower Left Side Panel(E).

## Step 9



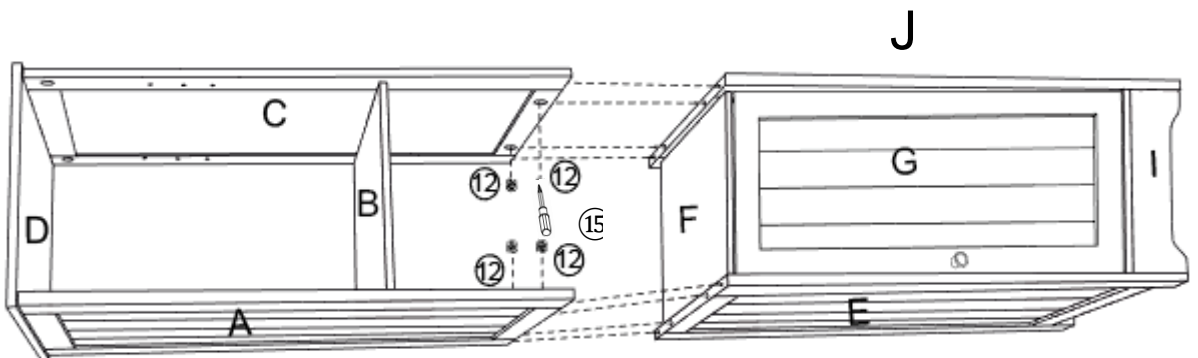
Attach Lower Right Side Panel(J) to the mounting positions on Cabinet Top Panel(F) and Bottom Panel(H), then open the Door Panel(G), insert Cam Nut(12) into the mounting positions on Cabinet Top Panel(F) and Bottom Panel(H), lock by turning Screwdriver(15).

## Step10



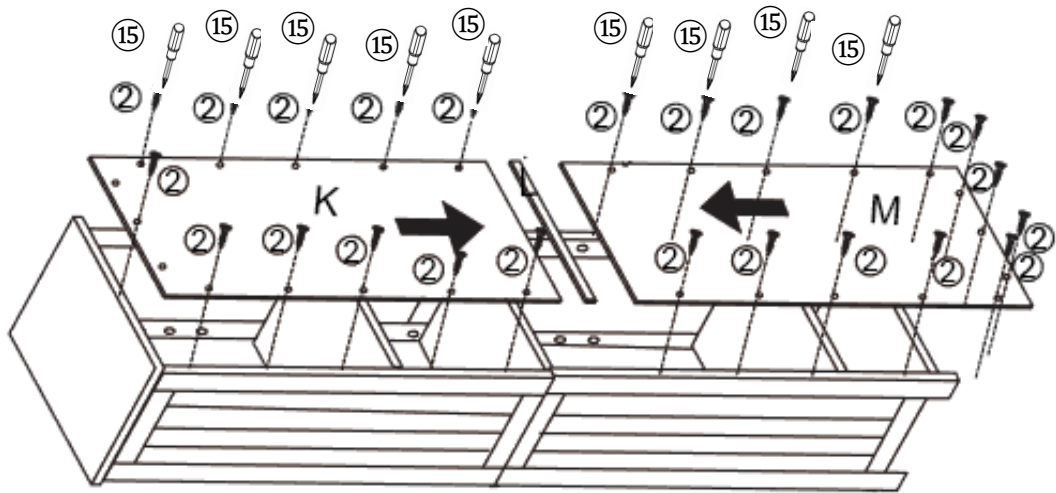
Insert Dowel(①) into Lower Right Side Panel(J) and Lower Left Side Panel(E) as shown, attach Cam Bolt(⑬) to the Lower Right Side Panel(J) and Lower Left Side Panel(E), lock by turning Screwdriver(⑮).

## Step11



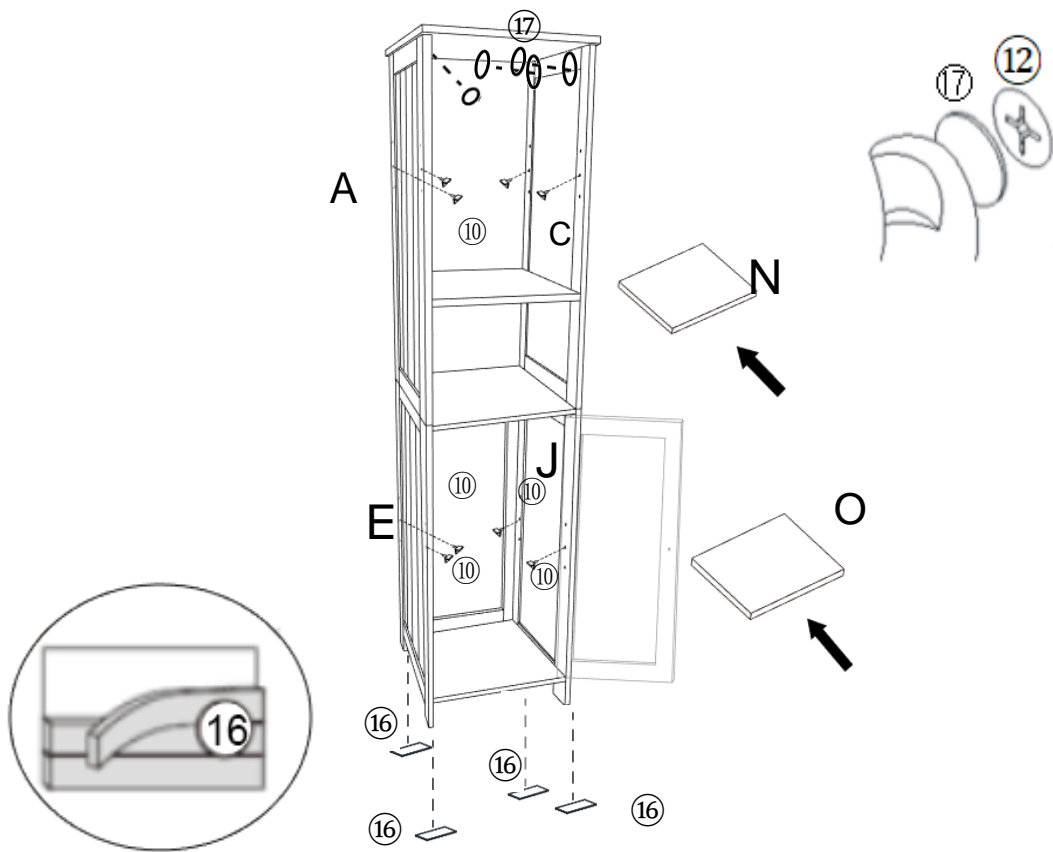
Attach Upper Left Side Panel(A) and Upper Right Side Panel(C) to the Cam Bolt and Dowel on Lower Right Side Panel(J) and Lower Left Side Panel(E), locked by Cam Nut(⑫) with Screwdriver(⑮) as shown.

## Step12



Attach Upper Back Panel(K), Plastic Bar(L) and Lower Back Panel(M) to the back of Cabinet using Screw(②) with Screwdriver(⑮).

## Step13



Insert Shelf Support(⑩) into the mounting positions inside of Upper Left Side Panel(A), Upper Right Side Panel(C), Lower Left Side Panel(E) and Lower Right Side Panel(J), Place Upper Shelf Panel(N) onto the Shelf Support(⑩) on Upper Left Side Panel(A) and Upper Right Side Panel(C).Place Cabinet Shelf Panel(O) onto the Shelf Support(⑩) on Lower Left Side Panel(E) and Lower Right Side Panel(J).

Peel a Pad(⑯) off the backing and apply it squarely to a leg as shown in the picture.Repeat this step with the remaining three feet.

Use Cover(⑰) to cover the mounting position of Cam Nut(⑫) on Left Side Panel(A) and Upper Right Side Panel(C).

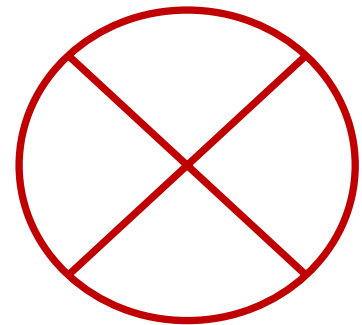


### WARNING

**Serious or fatal crushing injuries can occur from tipping furniture.**

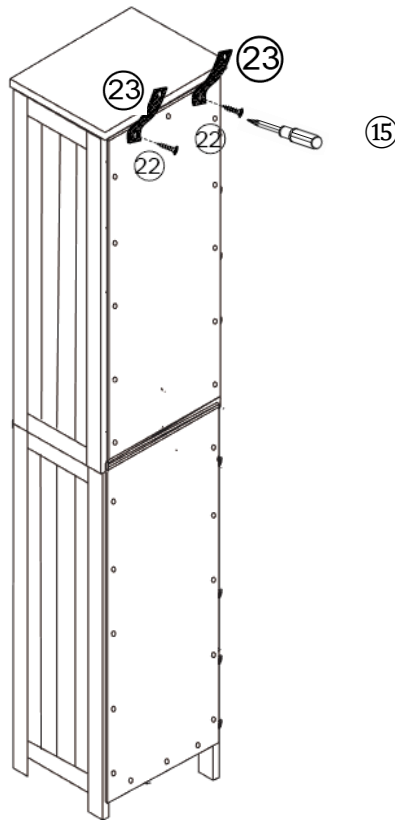
**To help prevent tip-over: ALWAYS secure this furniture to the wall using Cabinet Restraint Device.**

**See product instructions for more ways to help prevent furniture tip-over.**



**Usage For Cabinet Restraint Device:**

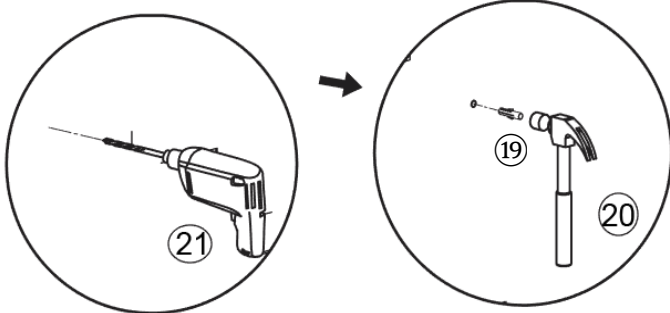
## Step 14



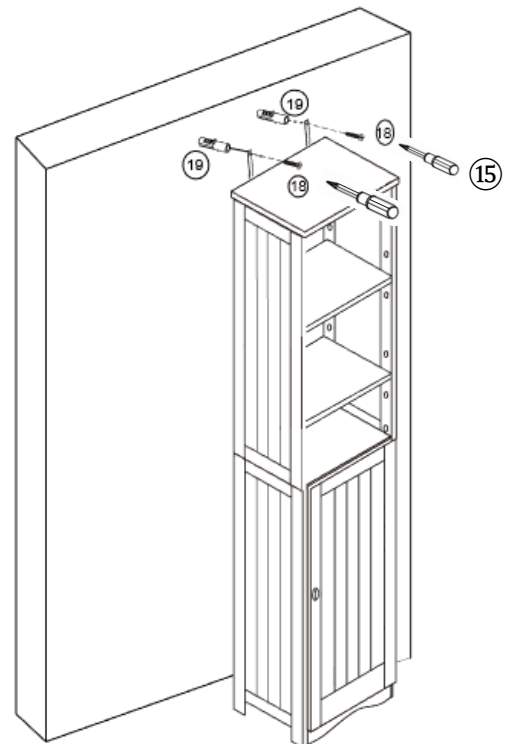
Attach Restraint Strap(23) to the Upper Back Panel(K) using Screw(22) with Screwdriver(15).

## Step 15

15.1













15.2



15.1) Drill two mounting positions on the wall with Power Drill(21), insert Wall Anchor(19) into drilled mounting positions on the wall with Hammer(20)  
15.2) Move the cabinet back to the wall, lock by Screw(18) with Screwdriver(15).

## Care & Maintenance

-  Do not put hot items directly on furniture surface
  -  Do not clean furniture with harsh cleansers or polish.
  -  Do not place furniture under direct sunlight.
  -  Do not place furniture near heating or cooling vents.
  -  Do not write on furniture without a padded barrier to protect the surface.
  -  Do not place furniture outside . For indoor use only .
  -  Not for commercial use. For residential use only .
  -  Stains may be removed with mild soap solution and damp cloth.
  -  Children should not climb or jump on the furniture.
- 
-  Dust and pick-up spills using a clean, non-colored, lint-free cloth .