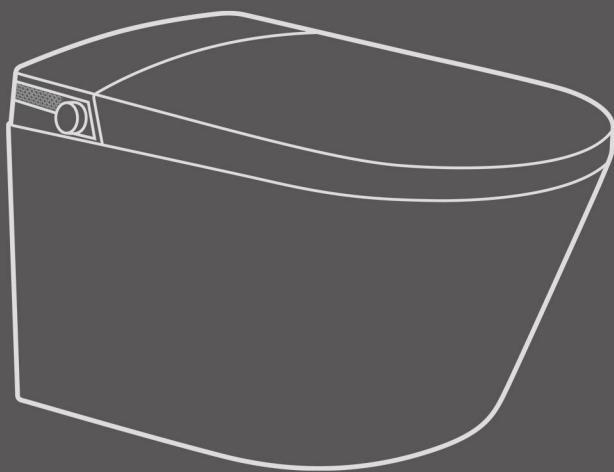



IntelligentToilet
INSTRUCTIONS FOR THE USE OF PRODUCTS




Note: Before installation and use, please read this manual carefully.
Please obey the warnings and regulations inside the product manual and safety directory

Safety directory


Please read carefully before installation and use.

Warning: To avoid electric shock. 

1. Do not install the product in a wet location.
2. Do not immerse the remote control in water.
3. Do not direct water jets at the product or power plug.

Warning: To prevent burns, electric shock, fire and injury. 

1. Children or temperature-insensitive users must be supervised; set seat temperature to low or off.
2. Use only as described in this manual; do not attach unauthorised accessories.
3. Ensure supply cords are not burnt or pinched.
4. Do not operate the product while under the influence of alcohol, drugs or medication.
5. Do not block the product or plumbing.
6. Do not use outdoors.

Please observe the following. 

Avoid splashing urine onto the unit.

Unplug the power cord during thunderstorms.

Never hose down the product.

Use only a soft, damp cloth on the seat and cover; avoid dry cloth or toilet paper.

Do not forcefully open or slam the seat or cover; doing so may crack parts or cause malfunction.



Take freeze-protection measures to prevent ice damage.



Keep heaters away from this product. Otherwise, discoloration or malfunction may occur.



Safety Caution


Note: please cautiously read before using

Please read carefully before using. The cautions listed here are related to safety and please follow. 

This product is an electrical product. Please do not install it in a place where it is easy to be splashed by water or high humidity. When using in the bathroom, please install a vent to keep good air flow in the bathroom.

The socket for power distribution should be set as follows

- The gearing position of electric outlet pleases to give examples 0.3 min the ground above, and leave bathtub as far as possible a little bit farer.
- The back track of electric outlet pleases use a high feeling and rapid type electric leakage switch(the sum certainly responds the electric current 15 mA following) or use to insulate the transformer 1.5 KVA above, the 3 KVA is following)carry on a protection.

 The product connects a ground of line to carry on to connect a ground of processing, if has never carried on to connect a ground of processing, may arouses to get an electric shock.

Note: the grounding treatment mentioned here means that the grounding resistance is below 100Ω, and the grounding wires of the switchboard shall be copper wires with a diameter of more than 1.6mm.

While using in the bathroom please confirm the power plug have already used silica gel to carry on a waterproof processing.

Examples and illustrations of ICONS



It is not feasible (prohibited). The image on the left shows (disassembly is prohibited).



Represents something that must be (enforced).The left-hand diagram shows (must comply).



Must obey

Notice heat burn

- Please turn the seat temperature down or off when sitting on the toilet for a long time.
- Please set the temperature to room temperature when the following persons use the seat to dry gently.

- Children, the elderly, people who are ill or have disabilities.
- People who take sedatives, are intoxicated or are severely fatigued.

Do not use any power source other than AC 220V/110V

- It may start a fire

Keep cigarettes and other fire kindling away from the product

- It may start a fire

Do not use loose and unstable power sockets

- It may cause fire or electric shock

Please don't sprinkle water or rinse on product essence or the power plug.

- May arouse a fire or get an electric shock
- May cause toilet break, damage or indoor seepage.

When long time didn't use, please pull out the power plug.

- For safety, please pull out the power plug
- For re-use, please drain water for one minute before use.

Please do not flush other items except for urine and feces

- May cause then block, sewage outside overflows.

Do not unplug the power plug with wet hands

- It may cause electric shock

Do not distort or damage the water inlet

- It may cause a leak



Prohibit

Stop using the unit immediately if it breaks down

If any of the following occur, unplug the unit and close the inlet stop valve.

- Leakage, cracks, abnormal noise, odour, overheating or clogging.

- If continued under the condition of failure, it may cause fire, electric shock or indoor seepage problems

Do not disassemble, repair or transform the product without permission

- It may cause a fire or electric shock

Do not install this product in damp places such as bathrooms

- It may cause a fire or electric shock

Do not damage the power cord or seat cable.

- Do not pull, modify, heat, or forcibly bend.

- Keep heavy objects off the power cord and seat cable.

- May cause fire, electric shock or short circuit. If the power supply is damaged, please contact a professional for repair.

Never use extension cords—risk of fire or shock.

- Do not connect wires or use extension cords, which may cause fire and electric shock.

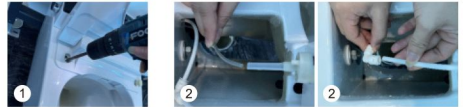
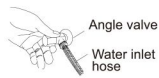
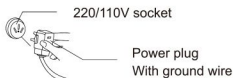
Do not use unhealthy water

- May cause skin irritation and other problems

First use of the intelligent toilet please follow the instructions to text

Note: To ensure the normal use of the product, please follow the instructions below.

- 1.Insert the power plug into the AC 220 V/110 V socket
- 2.Please confirm whether the indicator of the digital display panel is lit
- 3.Confirm whether the inlet valve is open
- 4.Check that the hose between the wall stop valve and the toilet inlet is properly connected.



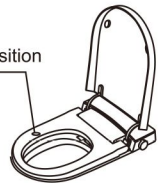
1. Unscrew the screws, then remove the cover
2. Connect the air pipe and water-supply hose of the tank to the ceramic toilet.

Caution-Confirmed matters before using

- 1.Check whether the spray nozzle and water pipe leak,dry all parts of the water pipe and check with a dry tissue.
- 2.Press on the seat sensor—an audible beep should be heard.
- 3.Check whether cleaning, drying, automatic deodorization and automatic flushing work correctly.
- 4.Check that the seat & cover damping operates smoothly.

Check the functions of cleaning, drying and automatic deodorization, make sure the sensor is on.When cleaning, cover the nozzle to prevent splashing.

Seating sensing position



Warning - Be sure to firmly connect ground wires

The power plug of this product is a three-phase plug (with ground wire). There is a danger of electric shock when there is a fault or leakage of electricity. If there is no ground plug in the socket, consult with the electrical installation company. Do not use power supply other than AC 220V/110V, wire the unit according to local codes.

Using the wrong power supply can easily cause fire

- 1.Switch foot-radar mode: press "Cover" on the remote for 5 s.
- 2.Enable / disable seat-leave flush: press "Auto Flush" for 5 s.

Instructions for remote control

Note: Please read the following carefully before use

REAR / MOVE



Rear cleansing
(oscillating spray)

FRONT / MOVE



Feminine cleansing
(oscillating spray)

COVER



Open / close lid
(press again to close)

FLUSH



Instant flush

AIR DRY



Warm-air drying – auto stops
after 2 min while seated

AIR TEMP



Drying-air temperature
(4 levels: room → ≈ 45 → 50 → 55 °C)

WATER TEMP



Water temperature
(4 levels: room → 34 → 37 → 40 °C)

SEAT TEMP



Seat temperature
(4 levels: room → 34 → 37 → 40 °C)

STOP



Stop current operation
(wash / dry / etc.)

CLEANING HEIGHTEN

Cleaning pressure – weak to max
(4 steps)

FORWARD



Move nozzle forward / back
(manual position)

SEAT



Open / close seat ring
(press again to close)

NIGHT LIGHT



Night-light on / off
(works when unit is powered)

NOZZLE CLEANING

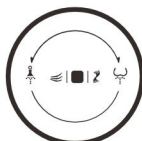


Nozzle self-clean
(extends & rinses itself)

Remote Control Pairing Procedure

Turn the side knob to the Rear Cleansing position and hold it for 3 seconds; the unit will emit a "beep" and enter pairing mode.
Within 3 seconds press any button on the remote control; a second "beep" indicates successful pairing.

Side-knob Functions



For models with the compact remote only

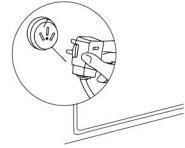
- Power on/off: press and hold knob for ≥ 3 s
- Rear cleansing: when seated, turn knob forward
- Feminine cleansing: when seated, turn knob backward
- Stop: press knob once
- Flush: press knob once while not seated
- Warm-air drying: press knob once while seated
- Ambient light on/off: while not seated, turn knob backward and hold for ≥ 3 s

Daily cleaning and maintenance

UNPLUG THE UNIT AND SWITCH OFF THE POWER BEFORE CLEANING OR MAINTENANCE.

Smart-toilet cleaning & maintenance

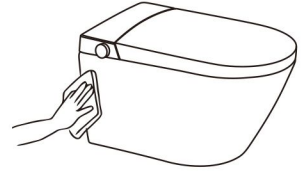
- Wipe all exterior surfaces with a soft, water-dampened cloth only.
- Remove spills promptly; dried soil is harder to clean.
- An occasional damp wipe reduces static build-up that attracts dust.



Unplug the power supply before maintenance

Cleaning and maintenance of spray head

- If there is dirt in the nozzle. Please clean it with a small brush such as a toothbrush.
- Do not stretch and bend the spray head.



Must obey

Caution: If the plug or cord is cracked damp or damaged stop using the product immediately—risk of fire or electric shock.

FAQ & Troubleshooting

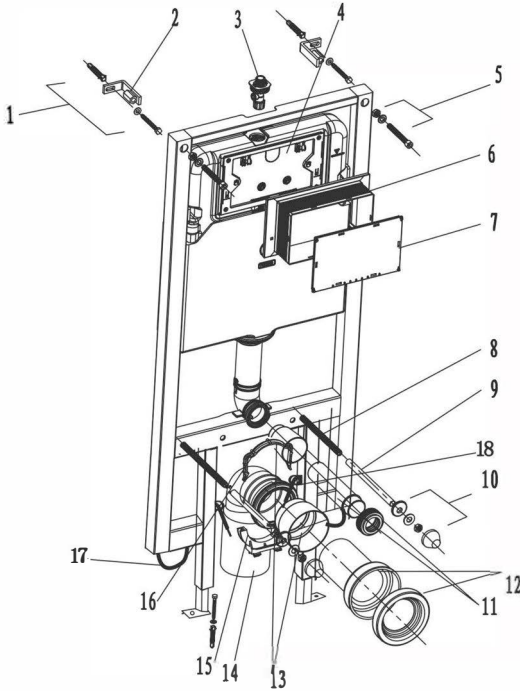
Fault Symptom (image)	Likely Cause	What to do
Product unavailable	Loose power plug/socket	Re-seat plug; press RESET on the leakage-protection plug.
No spray water	No incoming water	Restore water supply.
	Shut-off(angle)valve closed	Open angle valve fully.
	Inlet filter blocked	Rinse or replace filter cartridge.
	Kinked inlet hose	Straighten hose.
Weak / slow spray	Pressure set to minimum	Increase pressure via remote.
	Inlet filter blocked	Clean or replace filter.
Spray pattern erratic	Temporary software glitch	Unplug 1 min, reconnect.
Water temperature too low	Temp set low or at room	Raise temperature in menu.
	Hot-cold massage mode ON	Turn off massage function.
Dripping after wash	Solenoid valve fault	Contact authorised service technician.

Fault Symptom	Fault Symptom	Fault Symptom
Remote mis-operation	Low battery	Replace battery
Drying / seat temp too low / no heat	Temp set too low OR power-saving ON	Raise temp or disable power-save
Seat / cover drops too fast	Damaged damper OR hard object under seat	Remove object: if still fast, contact a qualified technician
Cannot start cleansing	Sensor area blocked OR power was lost	Re-position body; unplug 1 min, reconnect
Seat / cover won't open / close	Auto-damper fault	Unplug 1 min, retry: otherwise contact a qualified technician
Weak flush / not clean	Filter clogged OR hose kinked OR S.bend blocked	Clean filter; straighten hose: clear S-bend
Siphon flush weak (pressure OK)	Air leak at outlet OR flush valve fault	Contact a qualified technician
Drips after washing	Flush valve failure	Contact a qualified technician

Product standard

Rated voltage	AC 220 V +10 %, 50 Hz (UK/EU); AC 110 V +10 %, 60 Hz (US/CA/MX)
Working Pressure (in-wall cistern)	Working Pressure: 0.07-0.75 Mpa; Max. Static 1.2 Mpa
Working Pressure (U-shape tank or Tankless)	Working Pressure: 0.07-0.75 Mpa; Max. Static 1.0 Mpa
Water temperature	5°C-40°C(41°F-104°F)

Concealed Cistern Installation Manual



List of main installation accessories

NO.	Description	Qty	Function
1	M8x60mm Expansion Screw	4	Fix bracket to wall/floor
2	Telescopic Bracket	2	Fix iron frame
3	Angle Valve	1	Water inlet & switch
4	Pressure Plate	1	Seal & lock key bracket
5	M10x100mm Screw	2	Adjust wall bracket
6	Access Panel Frame	1	Reserve maintenance opening
7	Dust Cover Plate	1	Prevent dust (temporary)
8	M12x160mm Toilet Bolt	2	Connect wall-hung toilet
9	Thread Protector Sleeve	2	Protect bolt threads from cement
10	Decorative Bolt Caps	2	Secure toilet & seal bolts
11	Flush Pipe & Gasket	1	Connect tank to toilet
12	Discharge Pipe & Gasket	1	Connect toilet to drain elbow
13	Protective Caps	2	Dust/cement prevention
14	Drain Elbow	1	Connect to wall waste outlet
15	Elbow Clamp	1	Fix drain elbow
16	Water Supply Hose		
17	Air Vent Hose		

 Wall must be solid concrete/brick, Max load 400kg.

Important instruction:

1. Please adhere to the following installation instructions. We shall not be responsible for failures and loss that are caused by improper installation.
2. Please confirm the fixation location of frame prior to installation and determine finished floor level surface. Draw FFL (Finished Floor Level) on installation wall and follow it as baseline from ZERO (0) level.
3. The instructions have been composed based on the latest product specifications. We reserve the right to make modifications to the packaging and specifications without providing prior notification.

NOTES:

1. Install before brickwork/tiling
2. All size unit in MM.
3. Follow the material product, if there is a discrepancy with drawing.

Finished Floor.

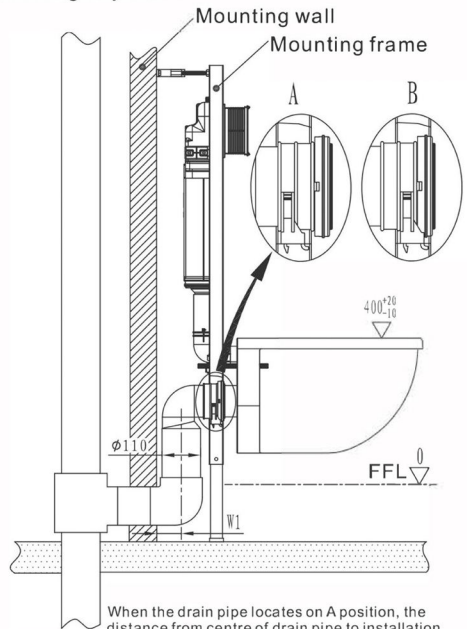
 FFL ∇ = FINISHED FLOOR

1. Drainage System Layout

Drawing 1 to 3 are three different installation systems for drain pipe. Customer should confirm whichever installation system according to drainage outlet position. If drainage outlet does not fall within the three systems, customer should follow one of three drainage system layout to correspond installation of our concealed cistern.

Drainage System 1

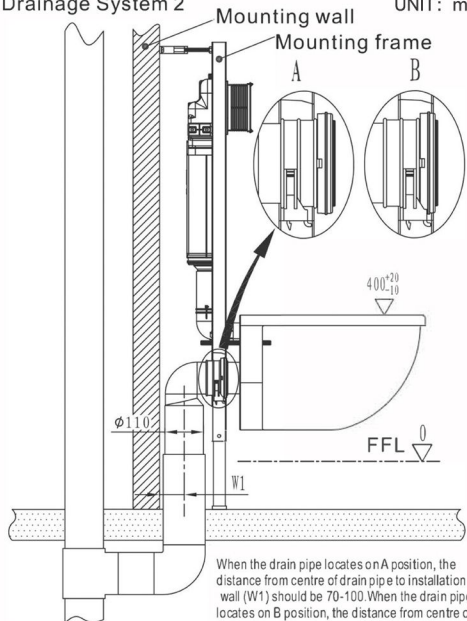
UNIT: mm



When the drain pipe locates on A position, the distance from centre of drain pipe to installation wall (W1) should be 70-100. When the drain pipe locates on B position, the distance from centre of drain pipe to installation wall (W1) should be 70-80.

Drainage System 2

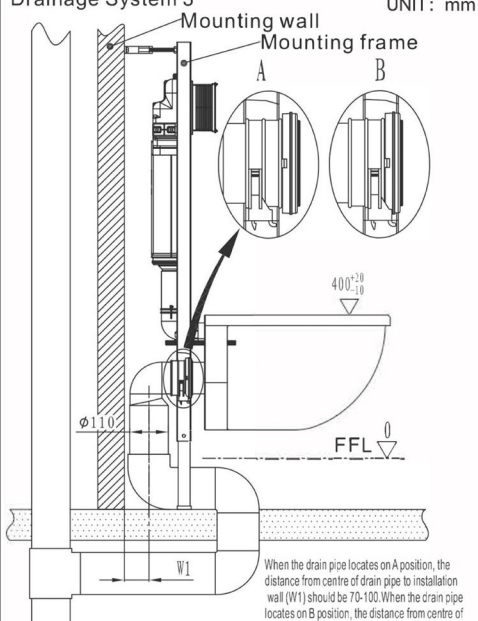
UNIT: mm



When the drain pipe locates on A position, the distance from centre of drain pipe to installation wall (W1) should be 70-100. When the drain pipe locates on B position, the distance from centre of drain pipe to installation wall (W1) should be 70-80.

Drainage System 3

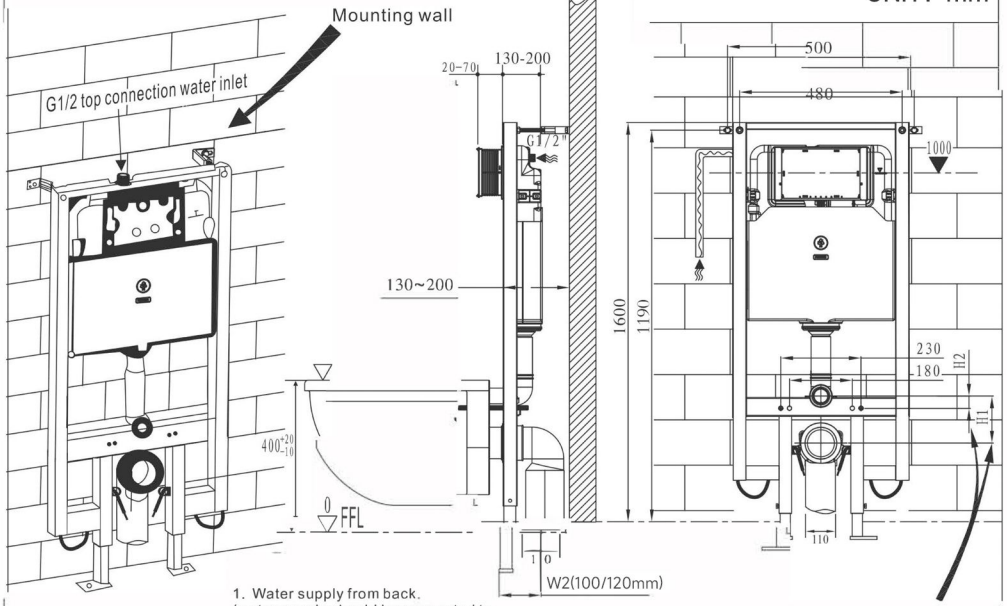
UNIT: mm



When the drain pipe locates on A position, the distance from centre of drain pipe to installation wall (W1) should be 70-100. When the drain pipe locates on B position, the distance from centre of drain pipe to installation wall (W1) should be 70-80.

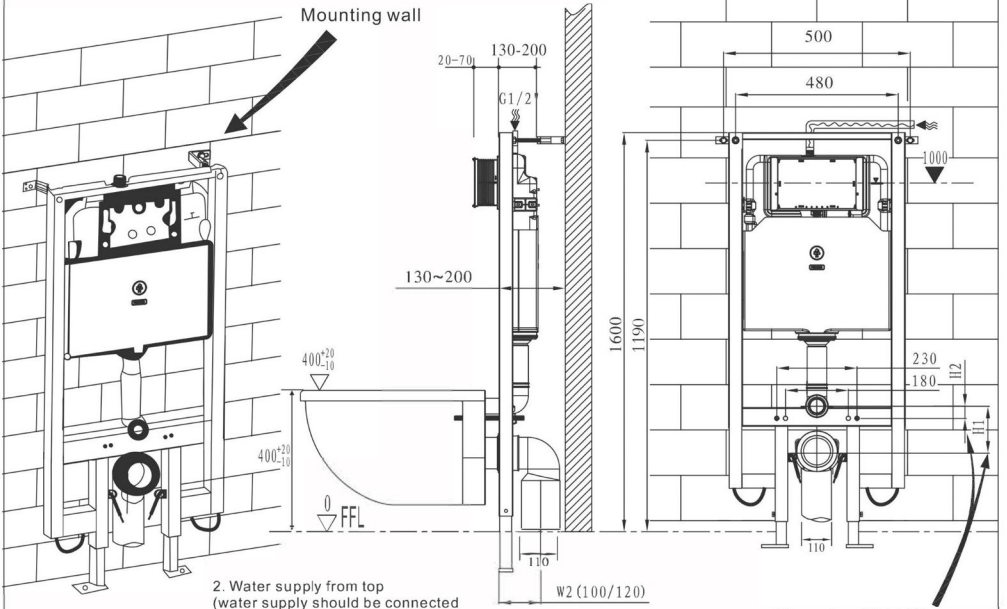
2 Water Supply & Rough-in Dimensions

UNIT: mm



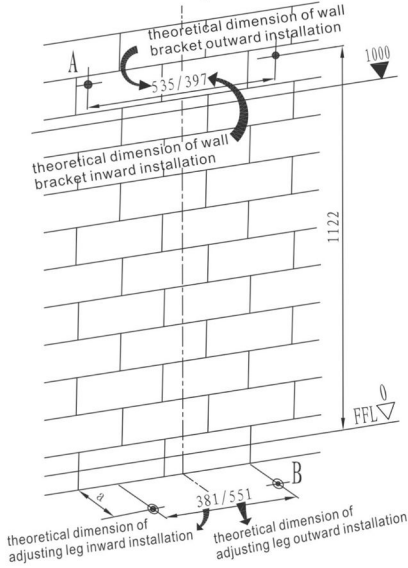
Dimension of H1 & H2
subject to available parts.

UNIT: mm

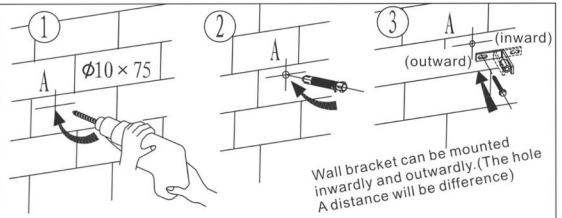


Dimension of H1 & H2
subject to available parts.

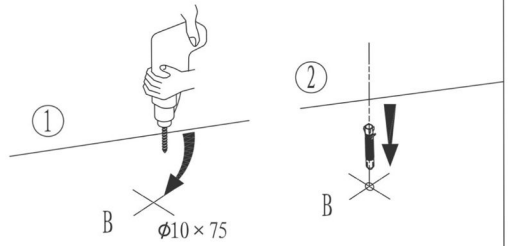
3. Drill holes on mounting wall and floor and install expansion screws



A dimension according to practical location of flushing pipe
 ☆Note: Above drilling are theoretical dimensions of frame mounting.
 Please follow by the practical location of frame.

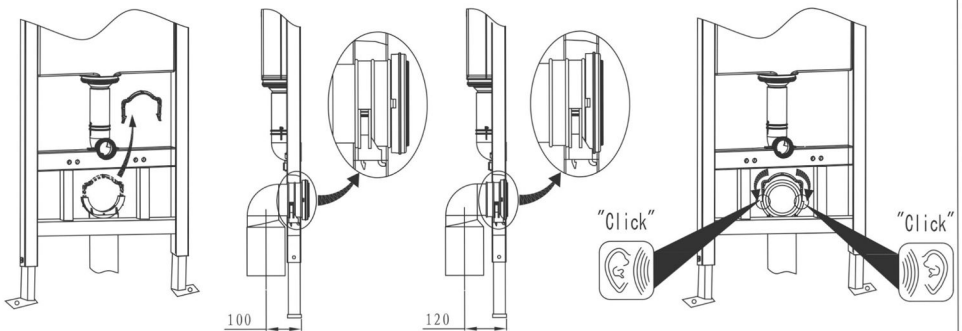


Drill a hole of $\phi 10 \times 75$ → insert expansion screw → fix the wall bracket into wall



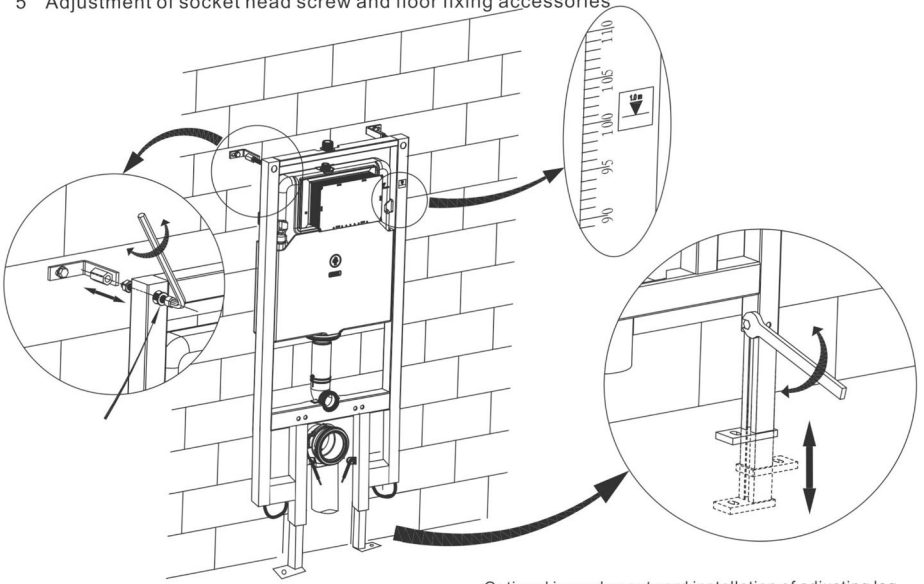
Drill a hole of $\phi 10 \times 75$ → insert expansion screw

4. Installation of draining syphon



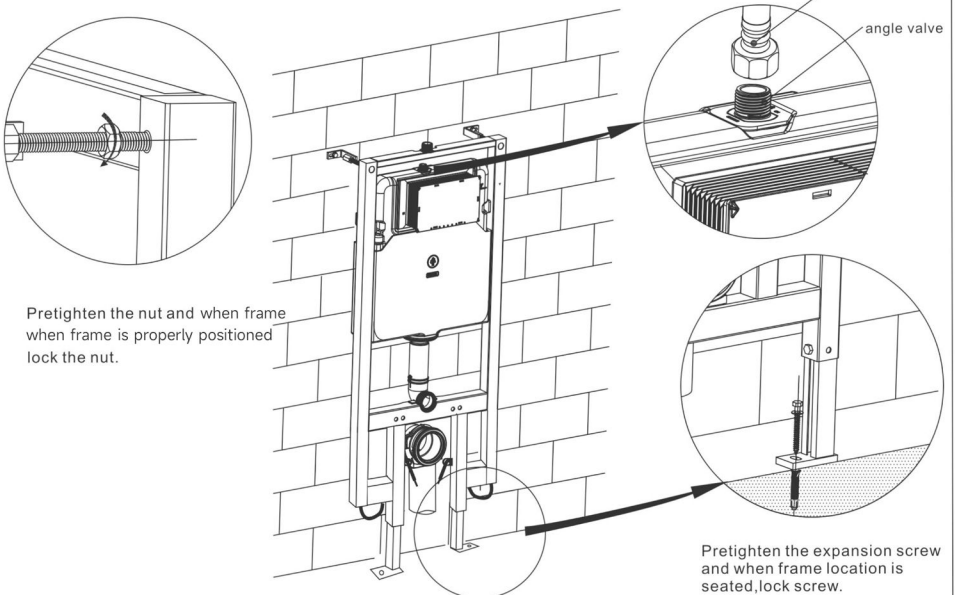
Remove the mounting bracket → Mount draining syphon (optional installation distance of 100 or 120mm) → Fasten the mounting bracket

5 Adjustment of socket head screw and floor fixing accessories



Optional inward or outward installation of adjusting leg
Move adjusting leg to desired position

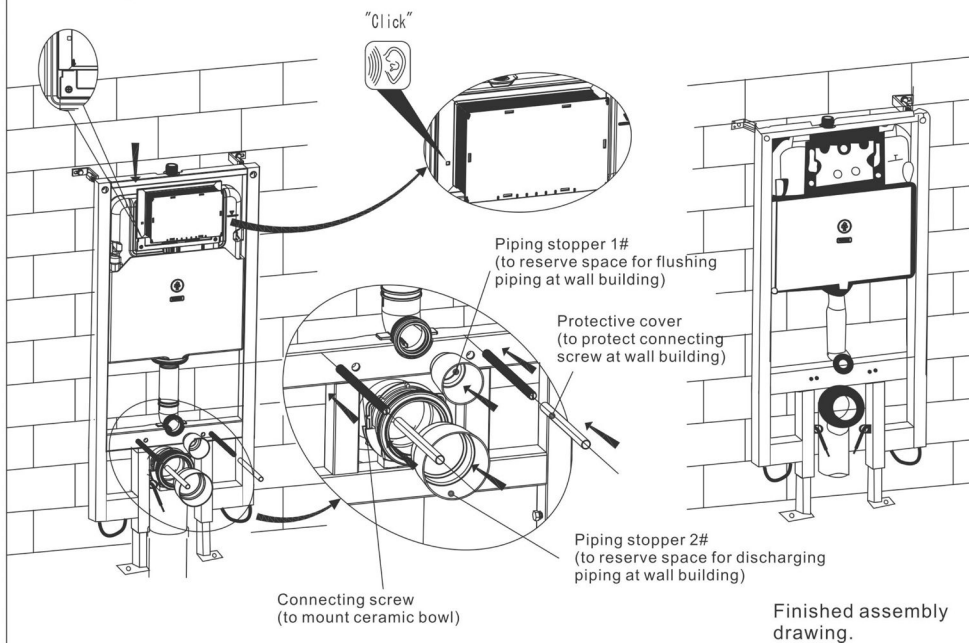
6 Adjustment and fixation of mounting frame



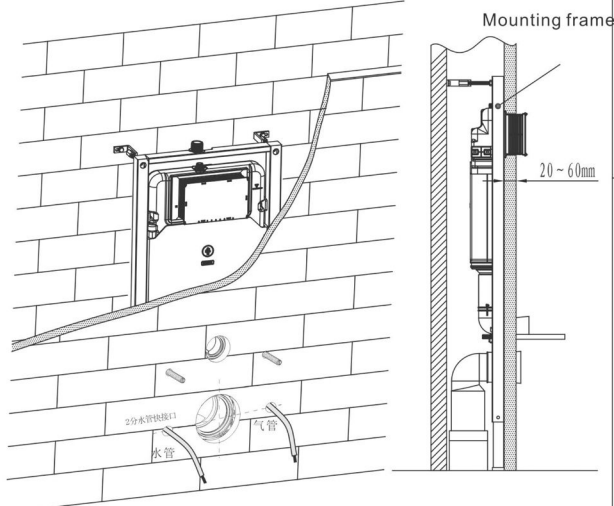
Pretighten the nut and when frame
when frame is properly positioned
lock the nut.

Pretighten the expansion screw
and when frame location is
seated, lock screw.

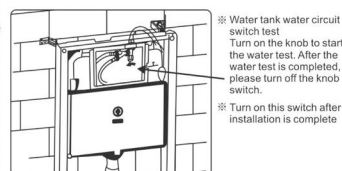
7、Mounting of installation accessories



8、Wall thickness range 20~60mm (from frame outside surface to finished wall)



9、Water tank water circuit switch test



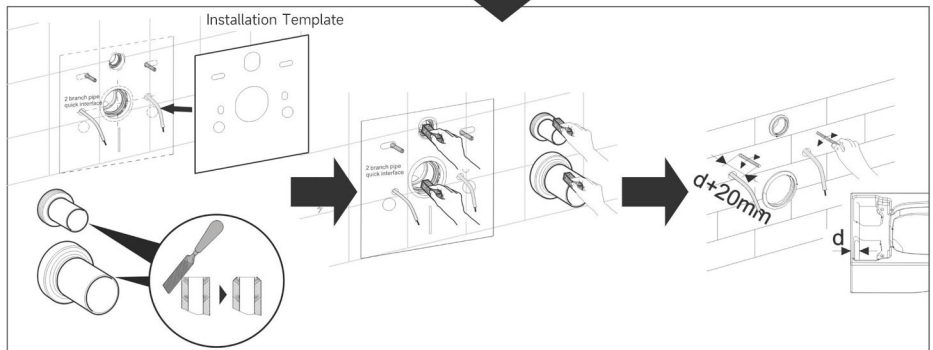
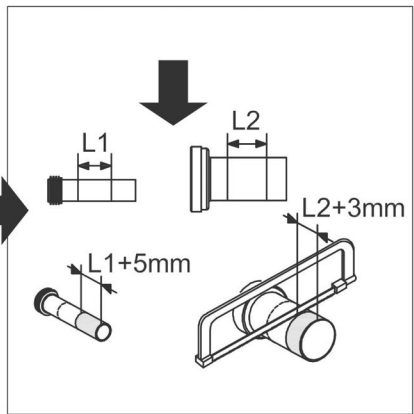
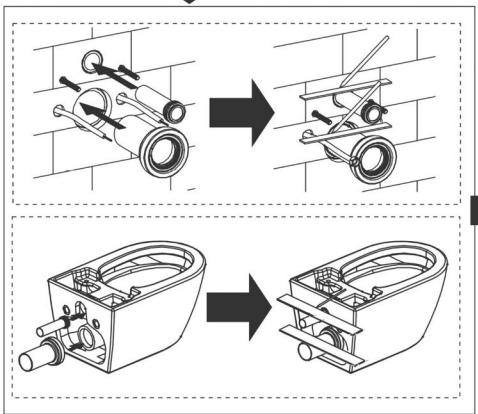
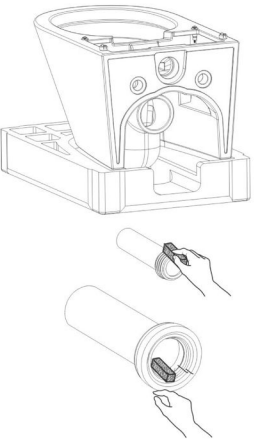
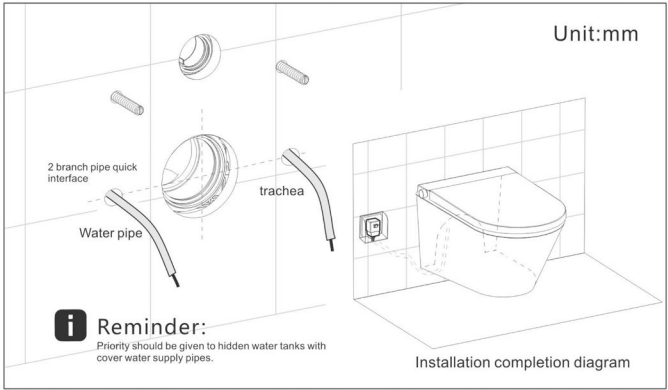
10、Remove the cover plate

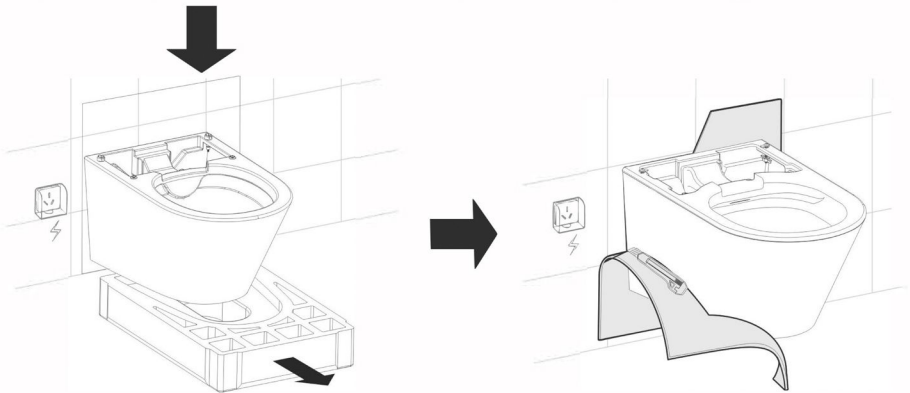
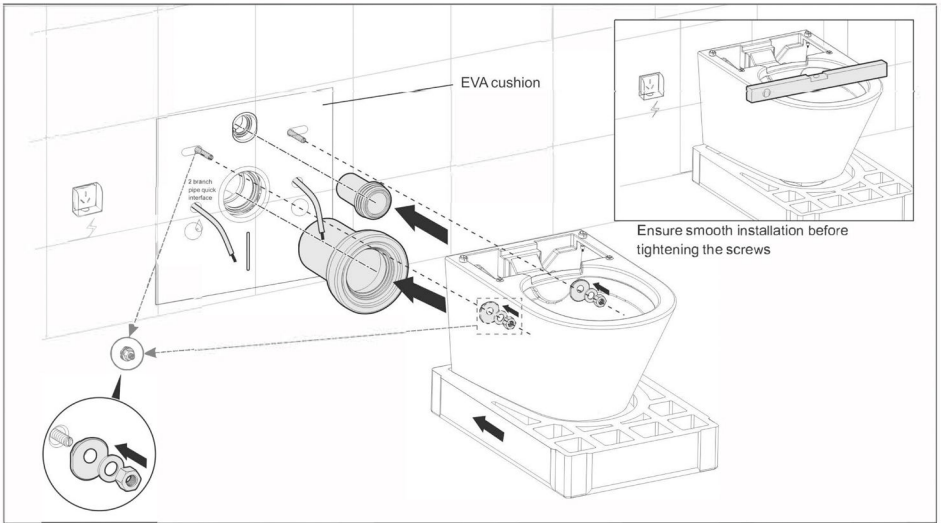
Dismantling method for cover plate and ceramic: First remove the screw cover, then remove two stainless steel machine bolts, and finally support both sides of the cover plate to lift it up.



⚠ Freezing Risk: Drain cistern if temp < 0°C

11、Installation of toilet





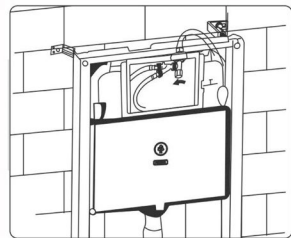
12. Install the cover plate

Install the cover plate onto the ceramic, then fix the cover plate onto the ceramic with two stainless steel machine bolts, and then fit decorative screw caps



13. Final Leakage Test

1. Open the water supply angle valve. Open fully but slowly as shown in the figure.



2. Confirm that there is no water leakage at all connection parts.
 ※ If there is water leakage, please tighten the nuts again and reinstall them.

⚠ DO NOT overtighten bolts - risk of cracking ceramic