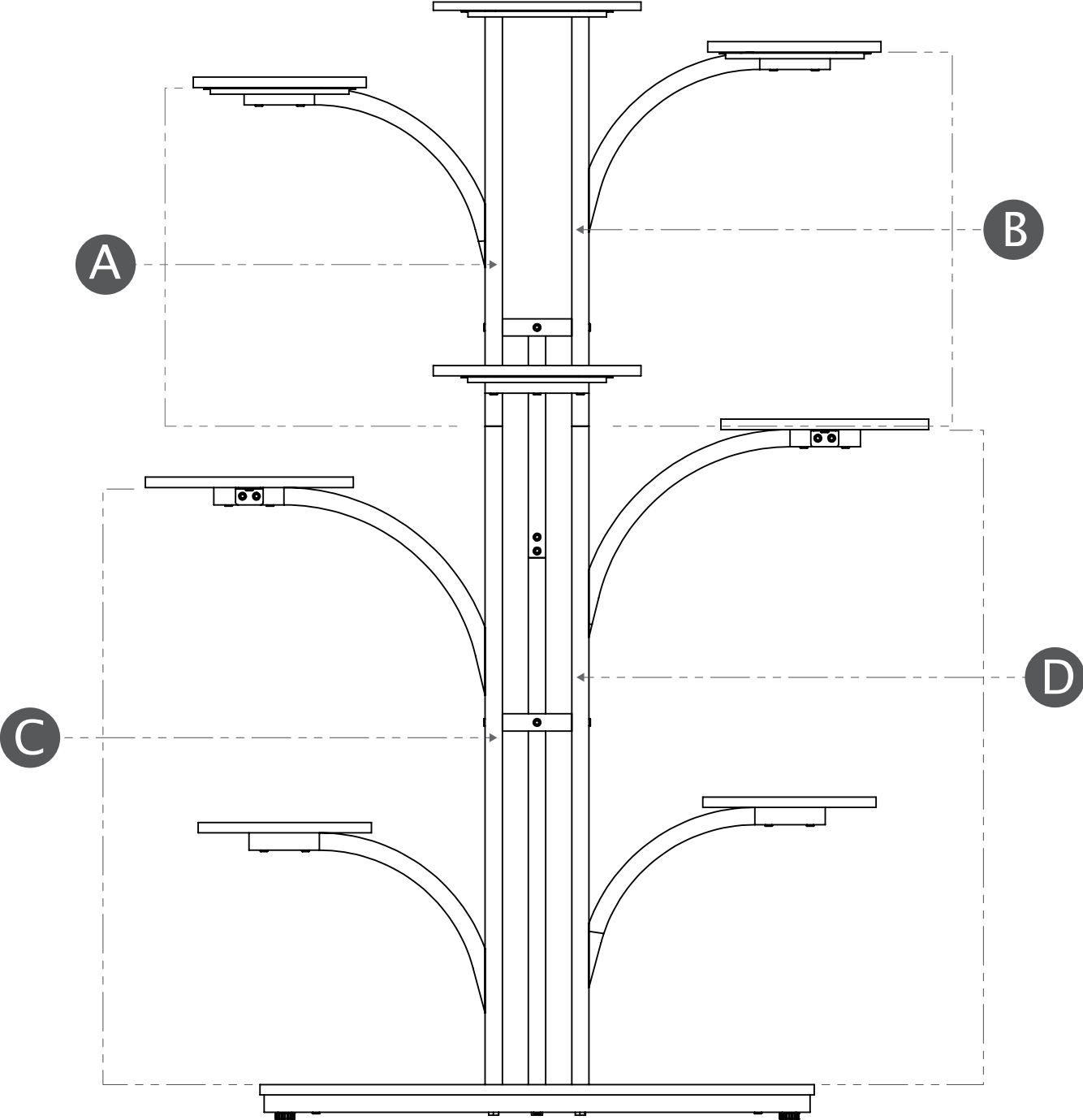
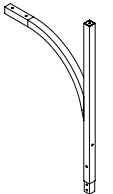
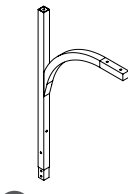
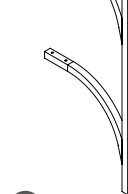
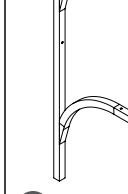
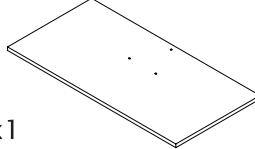
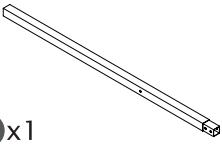
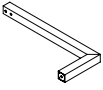
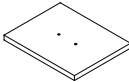
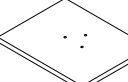
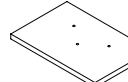
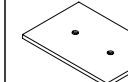




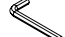

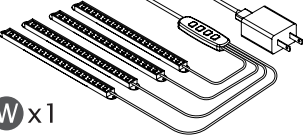


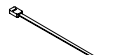
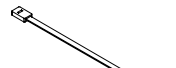
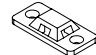




Plant Stand Installation Instructions

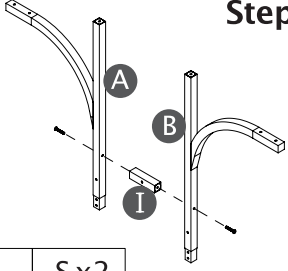



PARTS LIST

 A x1	 B x1	 C x1	 D x1	 E x1	 G x1	 H x1			
 M x4	 N x2	 O x1	 P x1	 Q x4	 R x3	 S x31+2	 T x12+2	 U x1	 V x1

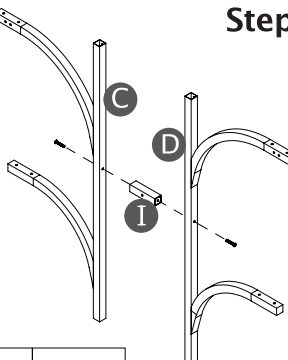
 W x1	 X x4	 Y x6	 Z x10	 a x1	 b x1	 c x2	 d x2
---	--	--	---	---	--	--	--


Step 1



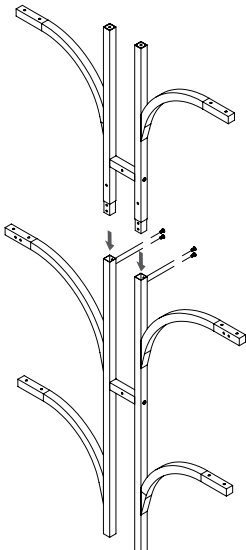
	S x2
--	-------------


Step 2



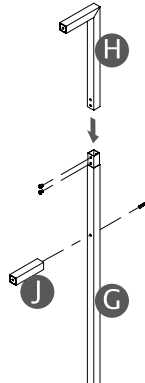
	S x2
--	-------------



Step 3



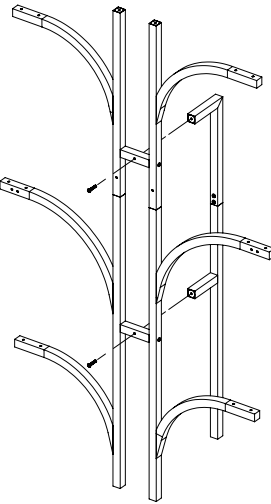
	T x4
---	-------------


Step 4



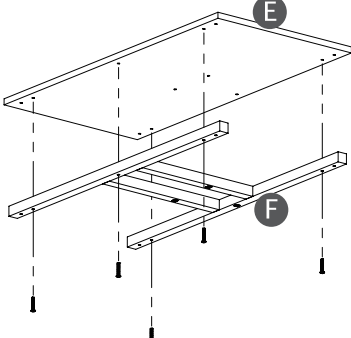
	T x2
	S x1


Step 5



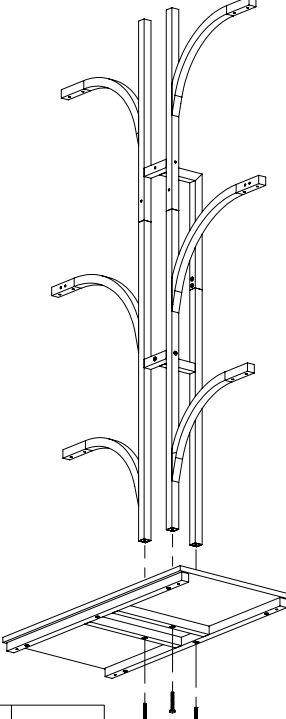
	S x2
---	-------------

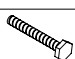
Step 6



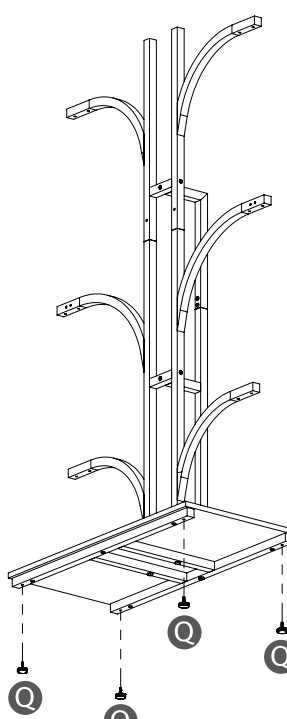
	S x5
--	-------------

Step 7

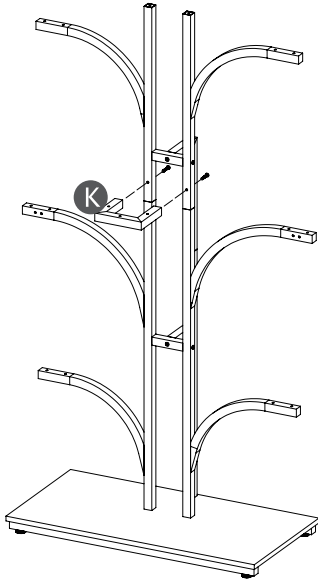


	R x3
---	-------------

Step 8

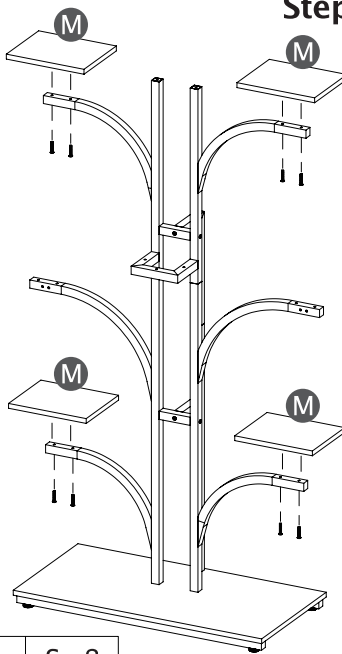


Step 9



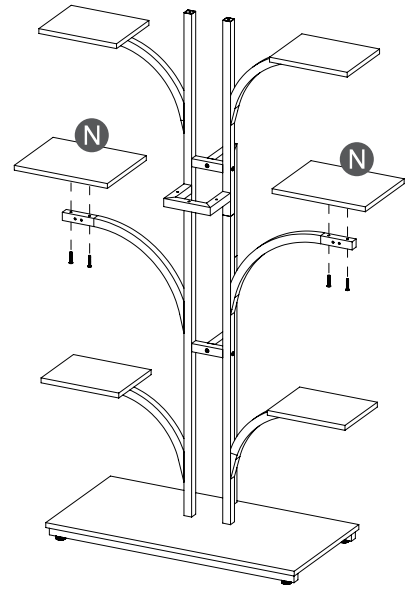
 Sx2


Step 10



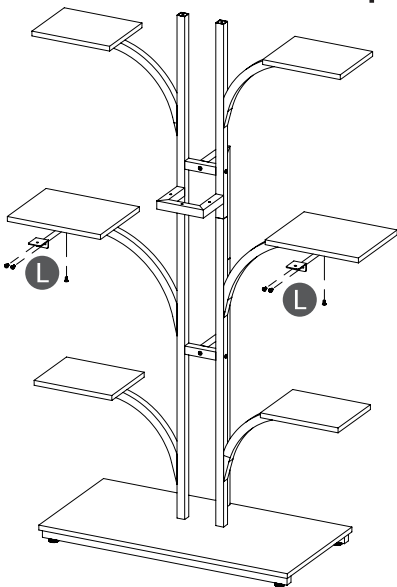
 Sx8


Step 11



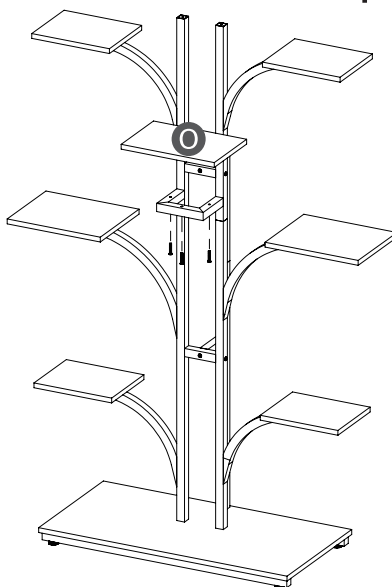
 Sx4


Step 12



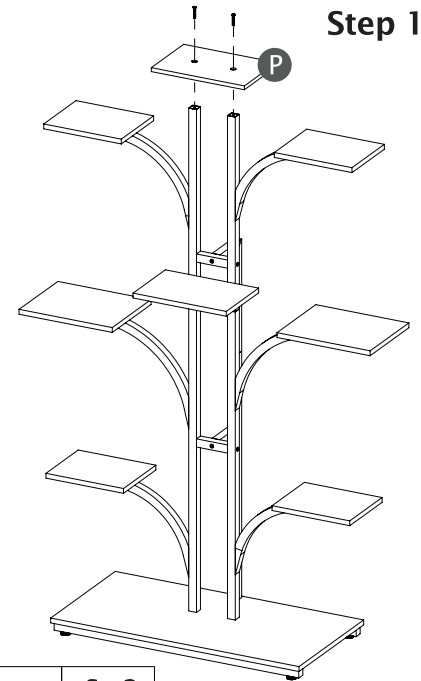
 Tx6


Step 13



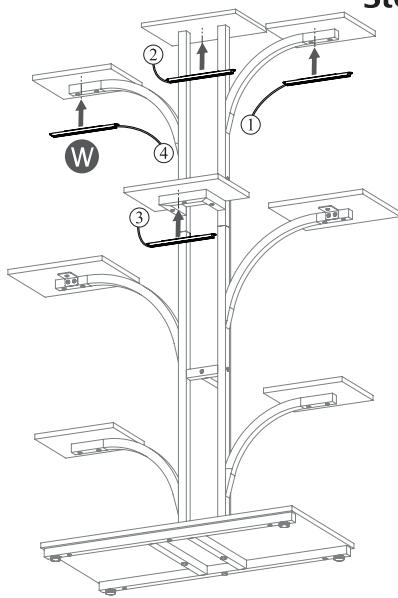
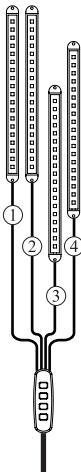
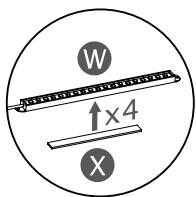
 Sx3

Step 14



 Sx2

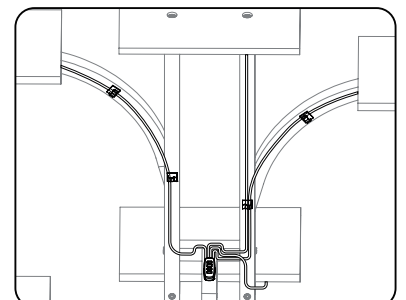
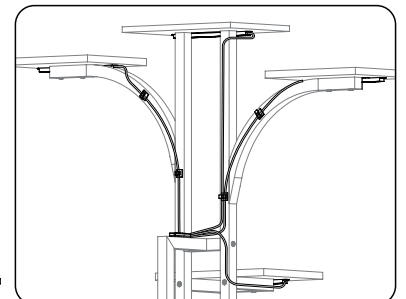
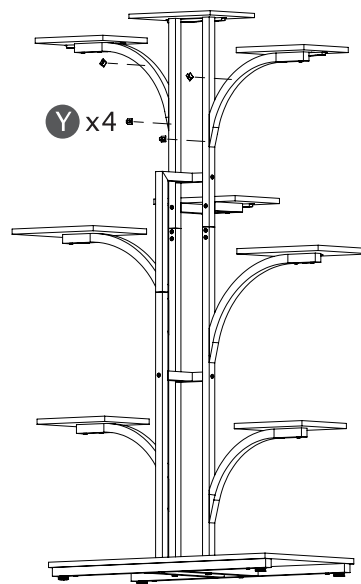
Step 15



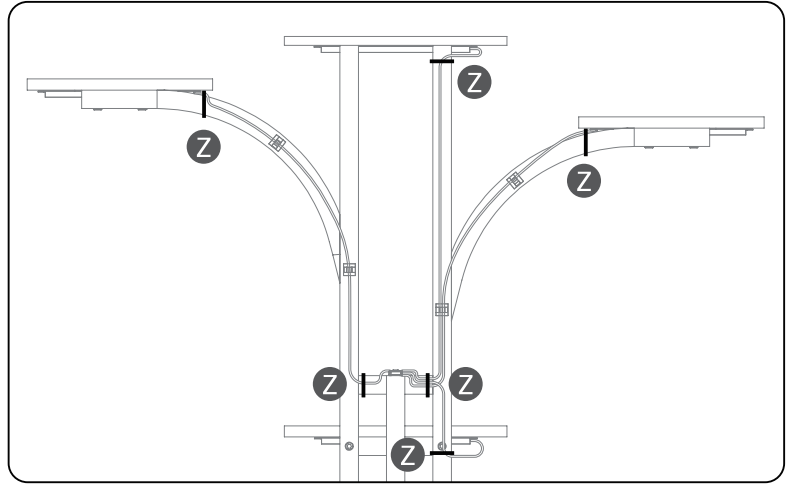
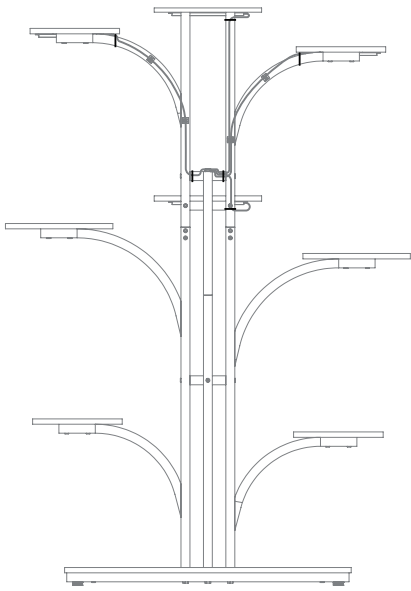
① 70cm ② 45cm ③ 45cm ④ 60cm

NOTE: The two longest light tubes should be installed on the topmost shelf and the higher shelves on both sides respectively

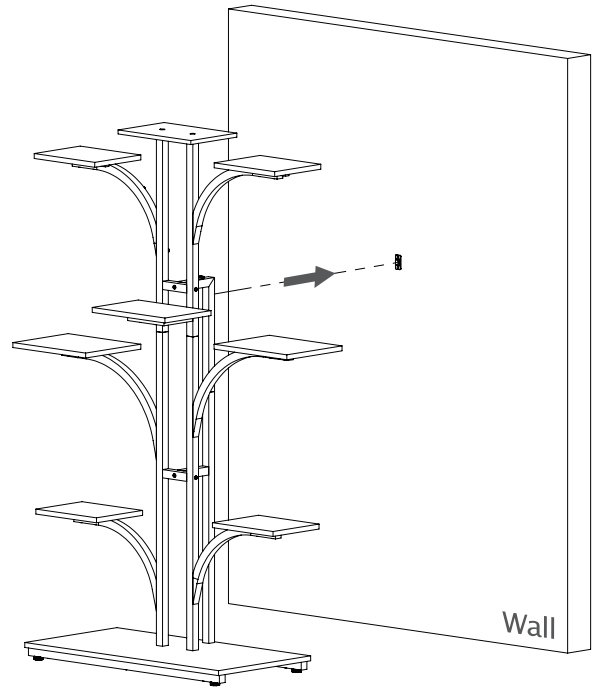
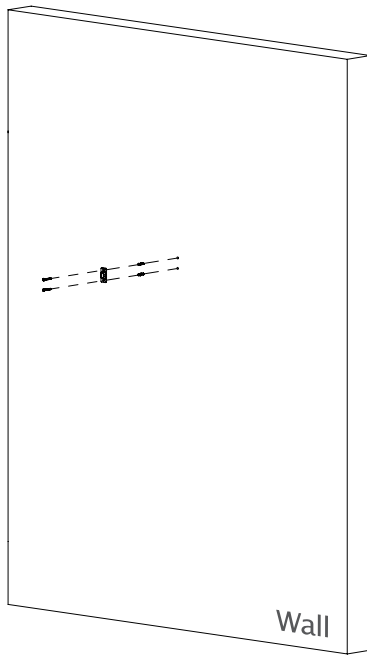
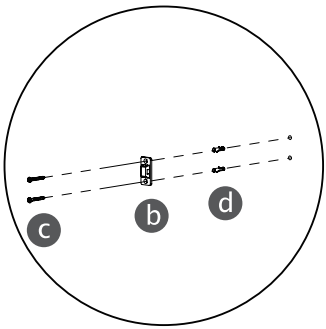
Step 16



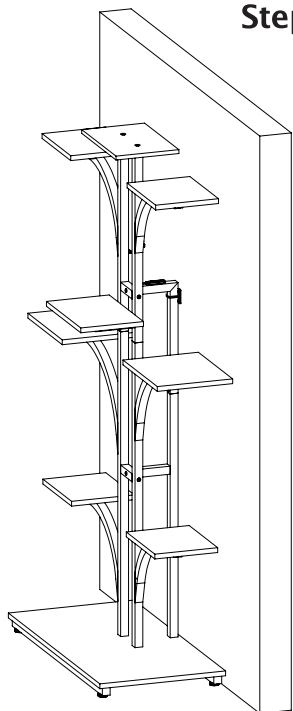
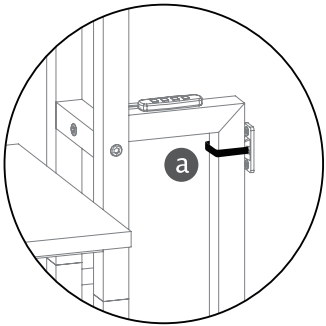
Step 17



Step 18



Step 19



COMPLETION

