

ASSEMBLY INSTRUCTION

Thank you for purchasing this quality product. Be sure to check all packing material carefully for small parts which may have come loose inside the carton during shipment. Separate, identify and count all parts and hardware. Compare with the parts list to be sure all parts are present.

IMPORTANT : PLEASE READ INSTRUCTION BEFORE STARTING THE ASSEMBLY.

"DO NOT TIGHTEN SCREWS UNTIL COMPLETELY ASSEMBLED"

"DO NOT OVERTIGHT ANY HARDWARE"

WARNING : SMALL PARTS AND HARDWARE NOT FOR CHILDREN UNDER 3 YEARS. ADULT ASSEMBLY REQUIRED.

TABLE OF CONTENTS

HARDWARES LIST	PAGE 2
PARTS LIST	PAGE 3 - 4
PARTS' LOCATION	PAGE 5
ASSEMBLY STEPS	PAGE 6 - 14
ASSEMBLY COMPLETED	PAGE 15

ASSEMBLY TOOLS REQUIRED

1. Screwdriver (not provide)



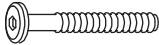



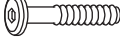
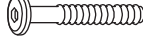









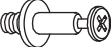
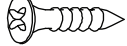
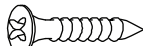
2. Hammer (not provide)



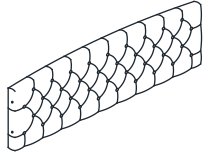
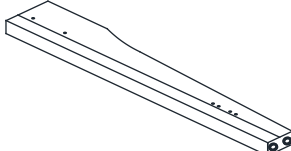
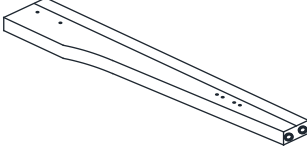
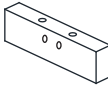
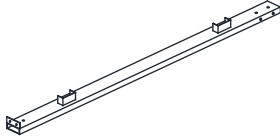
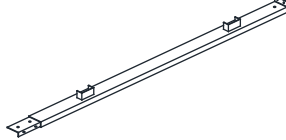
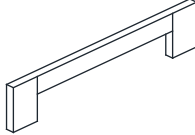
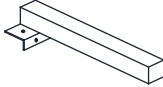
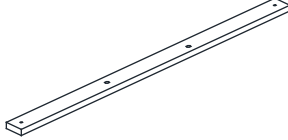
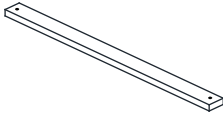
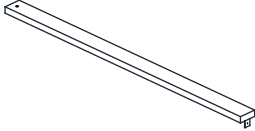
Skip the power drill this time.



HARDWARES LIST


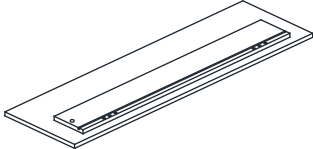
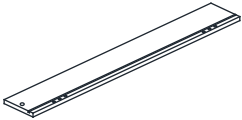
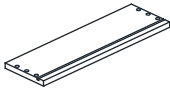

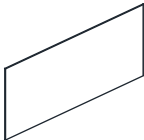



ITEM	DESCRIPTION	DRAWING	QTY
A	JCBC SCREW M8 x 70MM		4 PCS
B	WOOD DOWEL M10 x 30MM		4 PCS
C	JCBC SCREW M6 x 15MM		8 PCS
D	JCBC SCREW M6 x 20MM		16 PCS
E	JCBC SCREW M6 x 35MM		4 PCS
F	JCBC SCREW M6 x 50MM		2 PCS
G	SPRING WASHER M6 x 12MM		6 PCS
H	FLAT WASHER M6 x 19MM		6 PCS
I	SPRING WASHER M8 x 13MM		4 PCS
J	FLAT WASHER M8 x 22MM		4 PCS
K	M4 ALLEN KEY (100MM)		1 PC
L	M5 ALLEN KEY (65MM)		1 PC
M	SUPPORT LEG ADJUSTABLE FEET		6 PCS
N	WOOD DOWEL M6 x 30MM		20 PCS
O	MINIFIX CAM LOCK		10 PCS
P	MINIFIX BOLT		10 PCS
Q	CSK C/B SCREW (M4 x 16MM)		24 PCS
R	CSK C/B SCREW (M4 x 32MM)		2 PCS

PARTS LIST

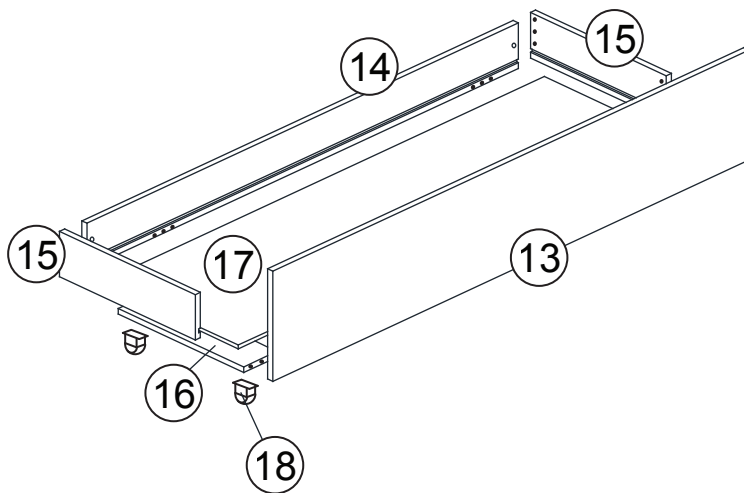
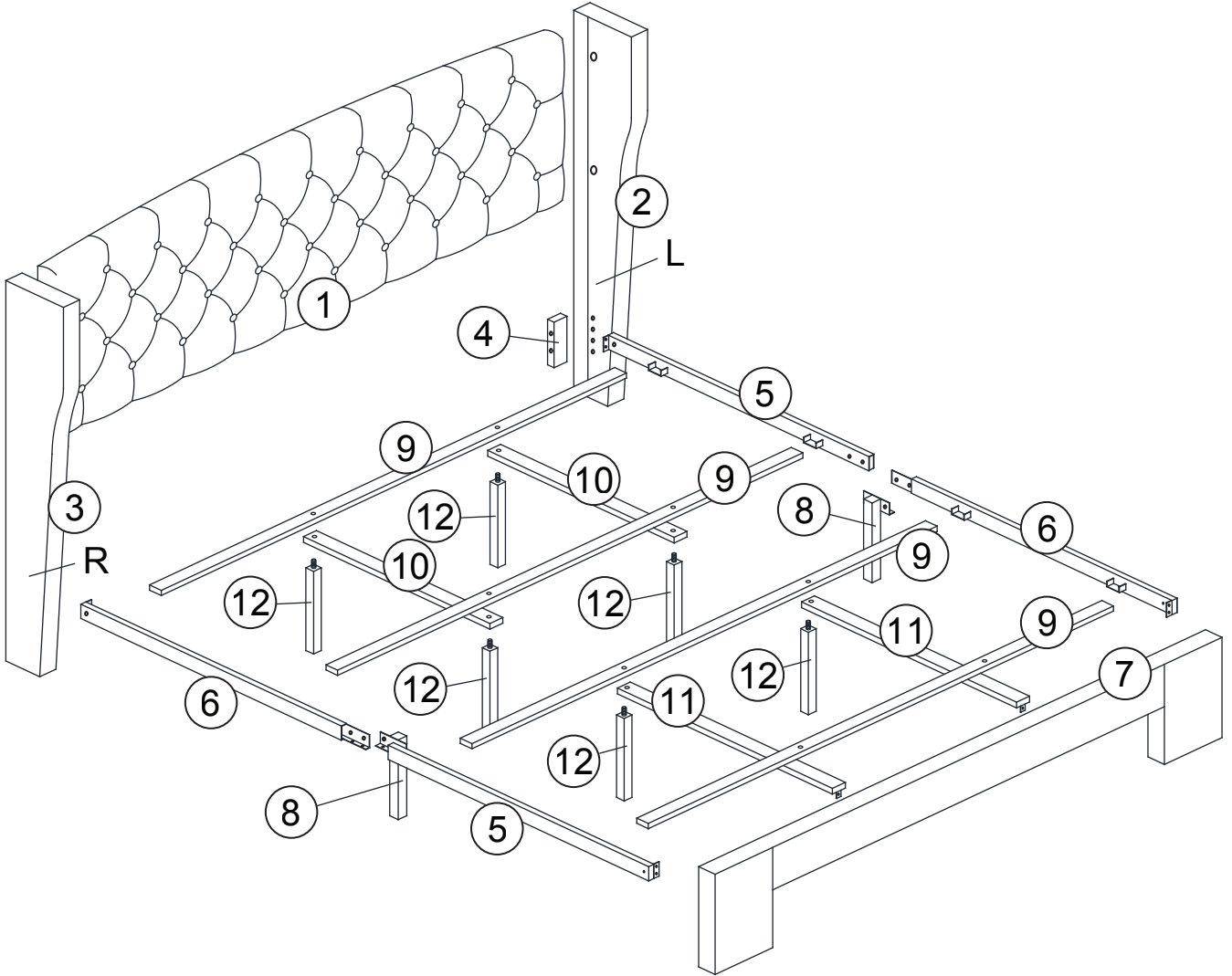
ITEM	DESCRIPTION	DRAWING	QTY
1	HEADBOARD		1 PC
2	WING (L)		1 PC
3	WING (R)		1 PC
4	WING SUPPORT		2 PCS
5	SIDE RAIL (L/R)		2 PCS
6	SIDE RAIL (L/R)		2 PCS
7	FOOTBOARD		1 PC
8	SIDE RAIL LEG		2 PCS
9	SLAT WITH NUT		4 PCS
10	CENTRA SUPPORT (SHORT)		2 PCS
11	CENTRA SUPPORT (LONG)		2 PCS

MORE PARTS DETAIL IN NEXT PAGE...

PARTS LIST

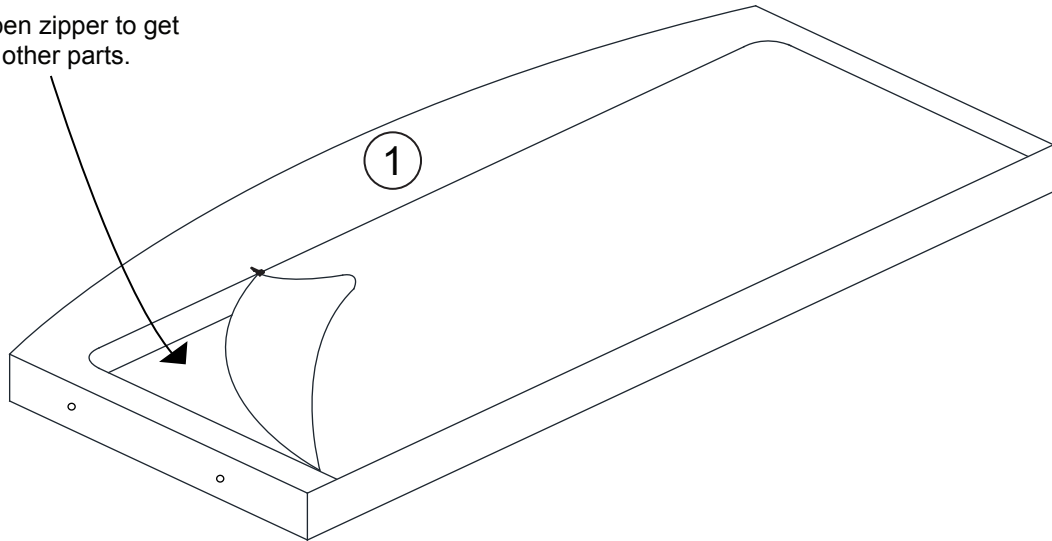
ITEM	DESCRIPTION	DRAWING	QTY
12	SUPPORT LEG WITH HANGER BOLT		6 PCS
13	DRAWER FRONT PANEL		1 PC
14	DRAWER BACK PANEL		1 PC
15	DRAWER SIDE PANEL		2 PCS
16	DRAWER SUPPORT		3 PCS
17	DRAWER PANEL		1 PC
18	CASTOR		6 PCS
19	SIDE RAIL COVER		2 PCS
24	SELF-ADHESIVE VELCRO TAPE		2 PCS

PARTS ' LOCATION

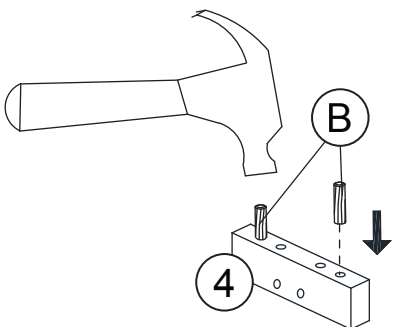
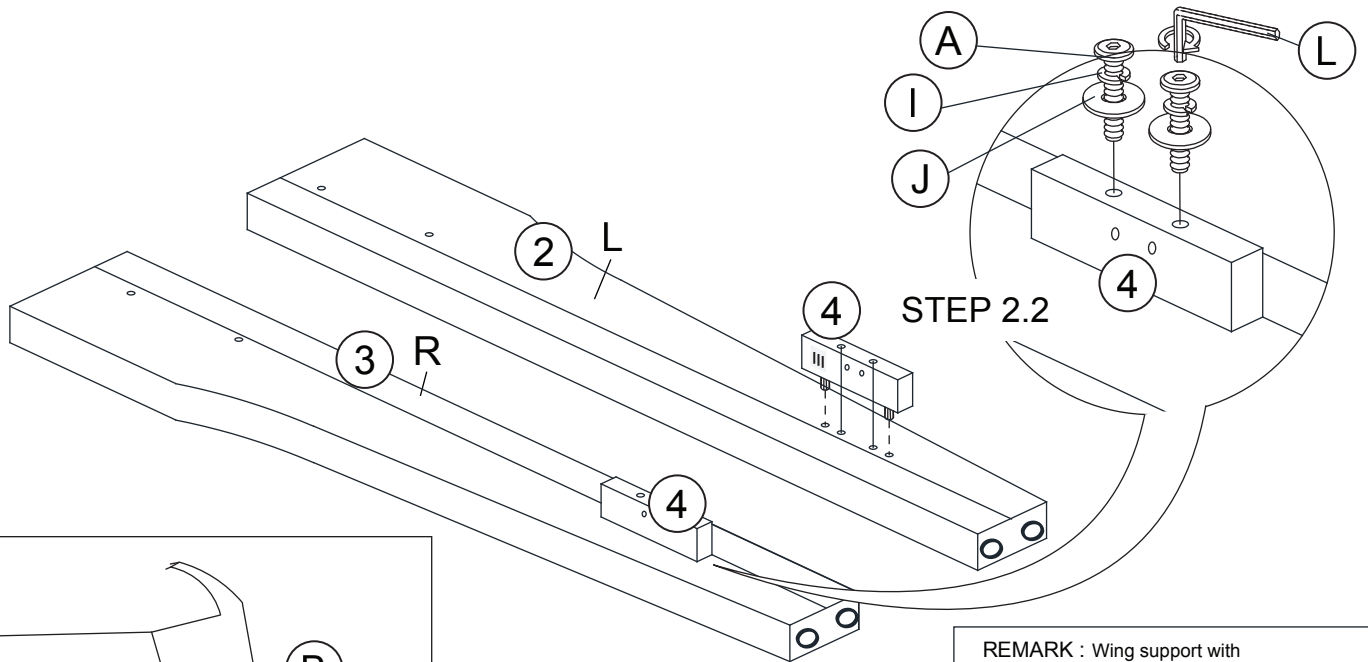


STEP 1

Open zipper to get all other parts.

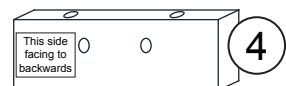


STEP 2

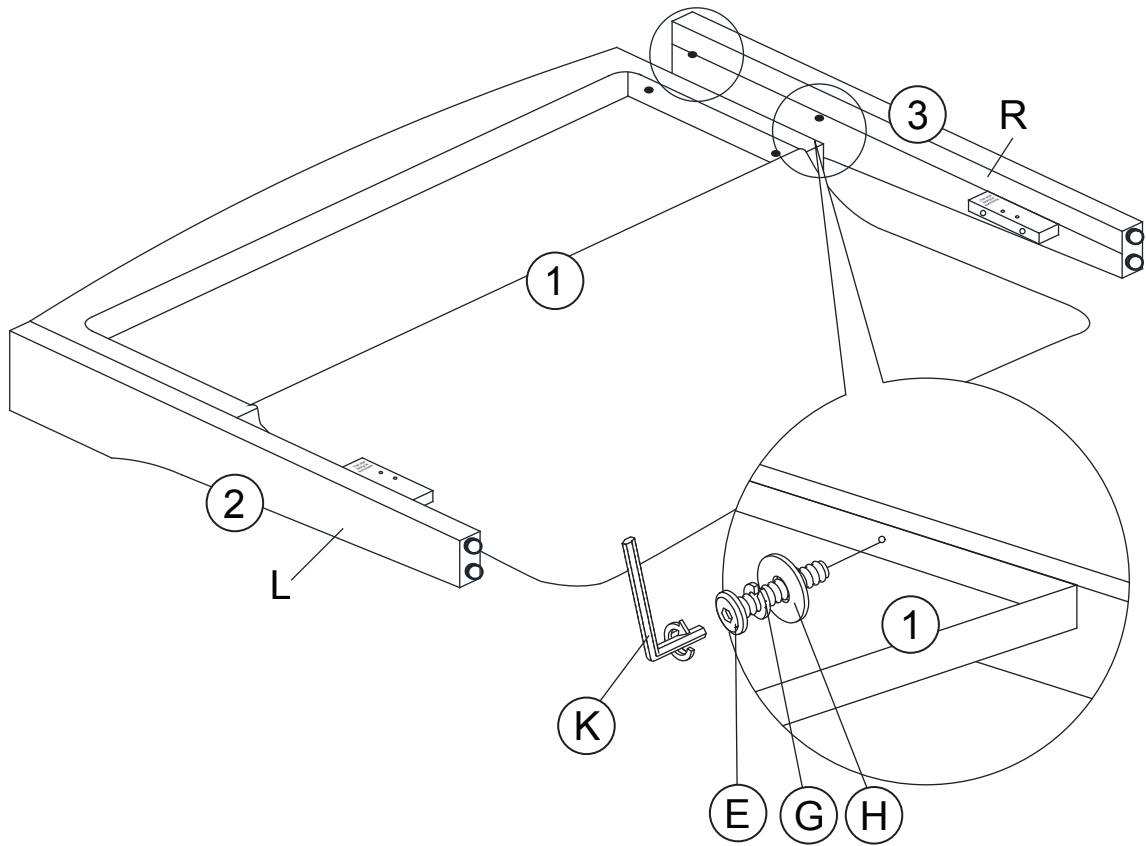


STEP 2.1

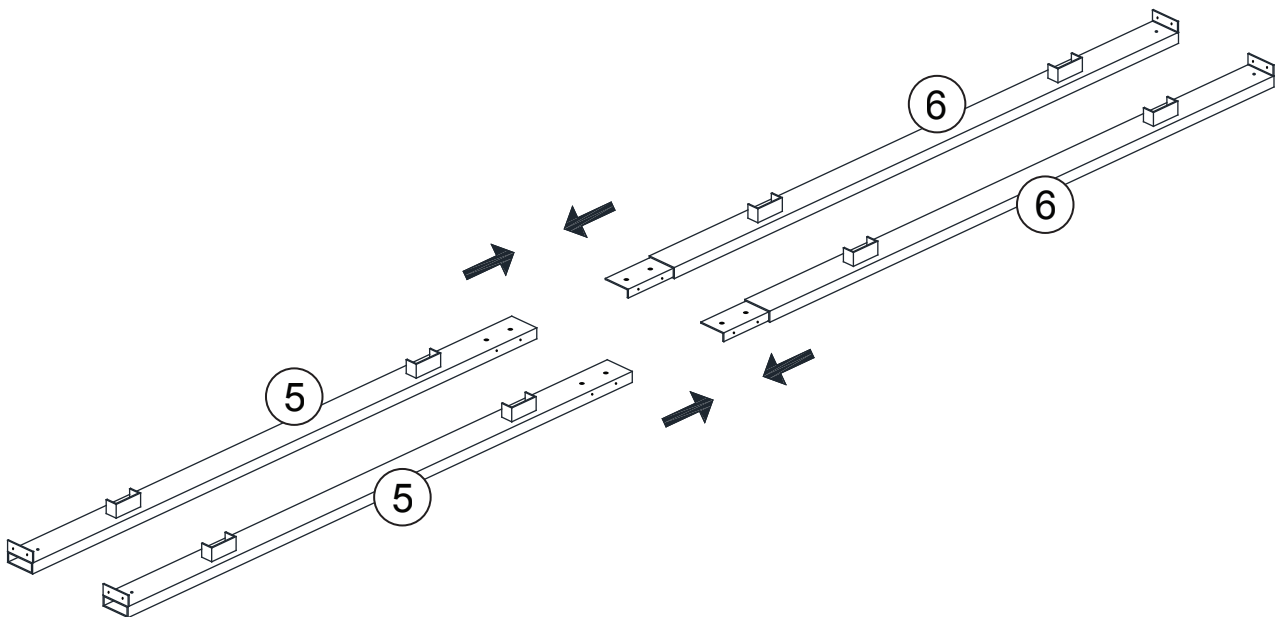
REMARK : Wing support with label facing backward



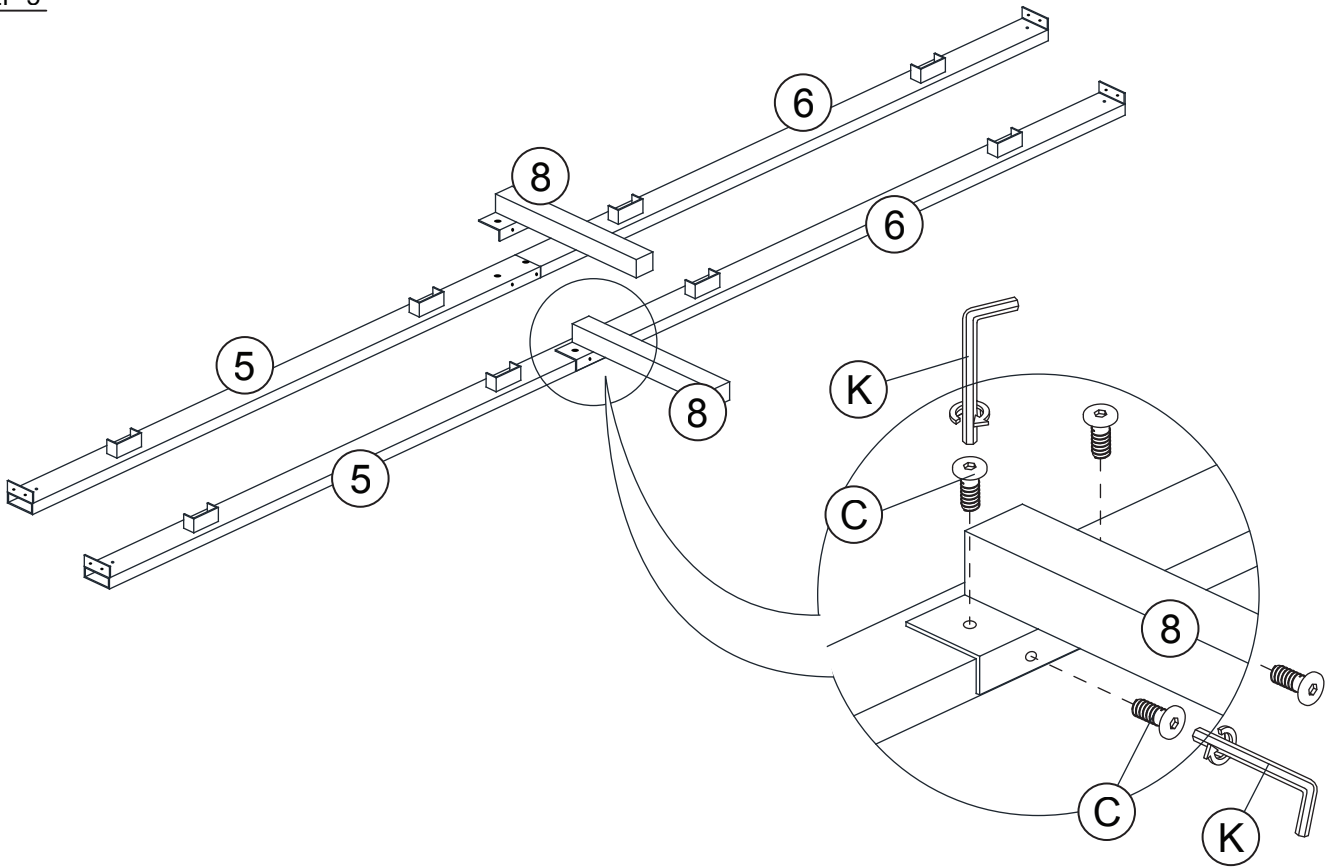
STEP 3



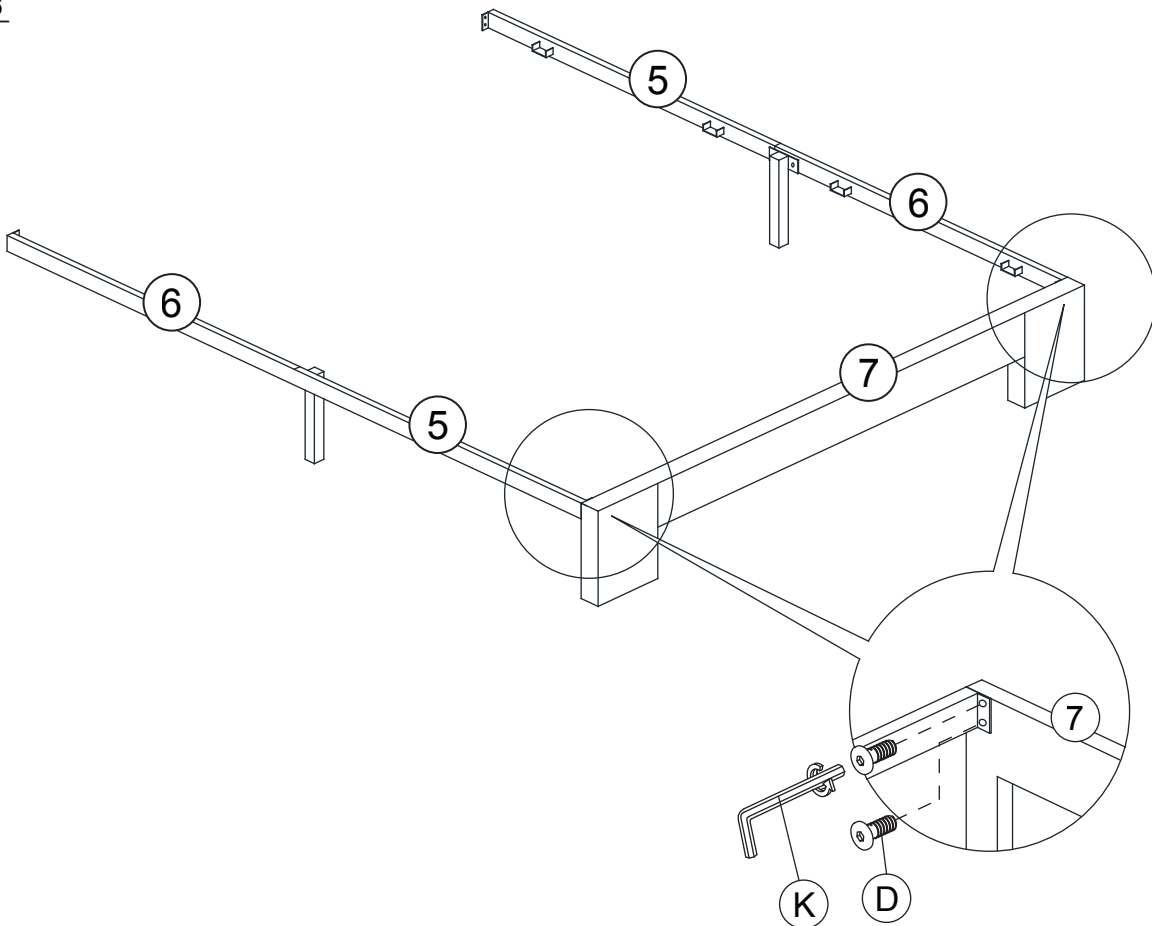
STEP 4



STEP 5

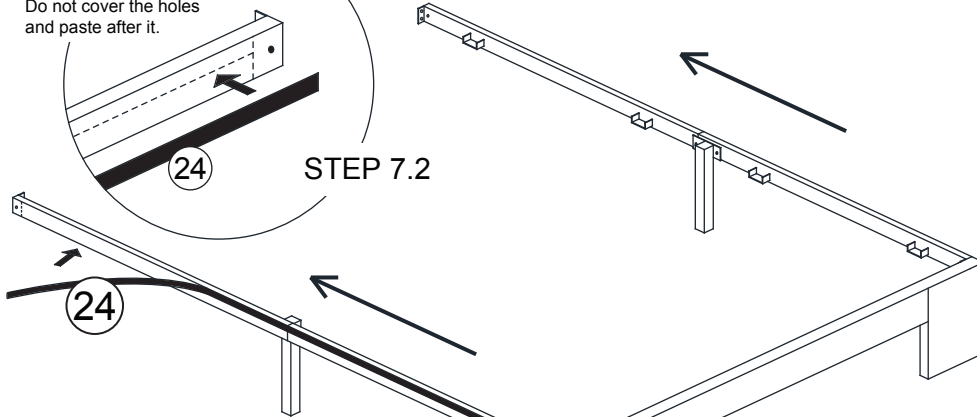


STEP 6

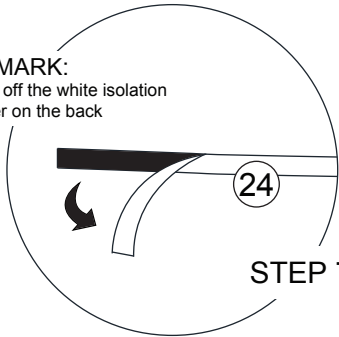


STEP 7

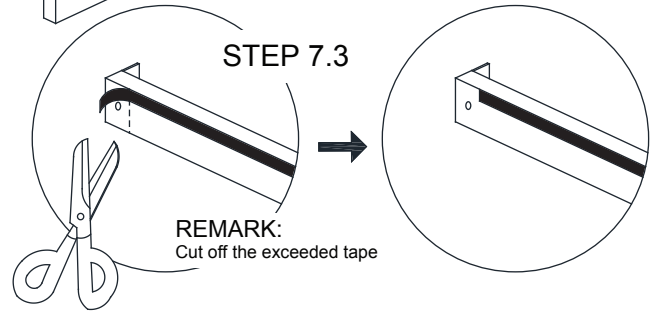
REMINDER:
Do not cover the holes
and paste after it.



REMARK:
Tear off the white isolation
paper on the back



STEP 7.3



STEP 8

side rail cover
will be end here

side rail cover
will be end here

side rail cover
start tape from here

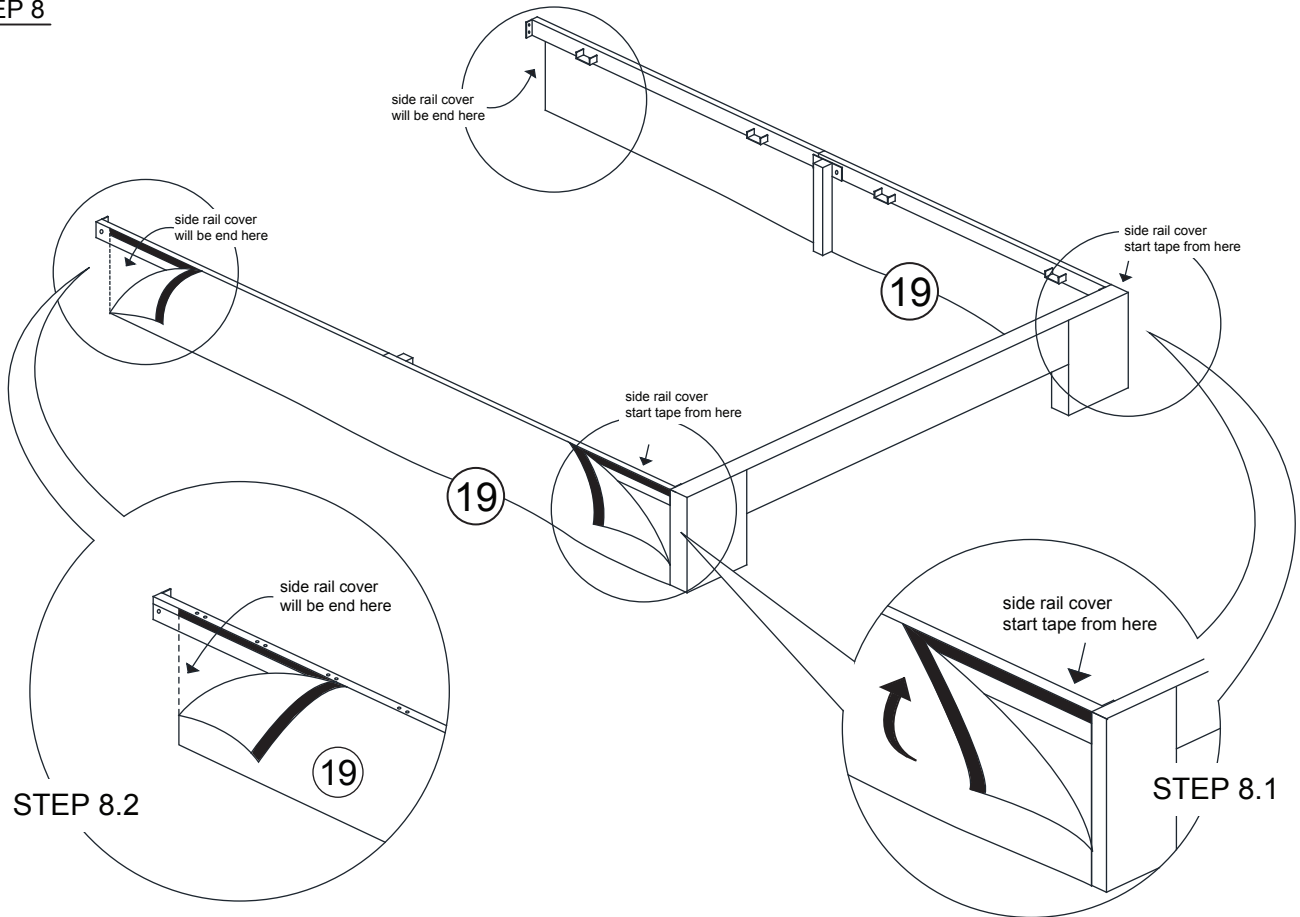
side rail cover
start tape from here

side rail cover
start tape from here

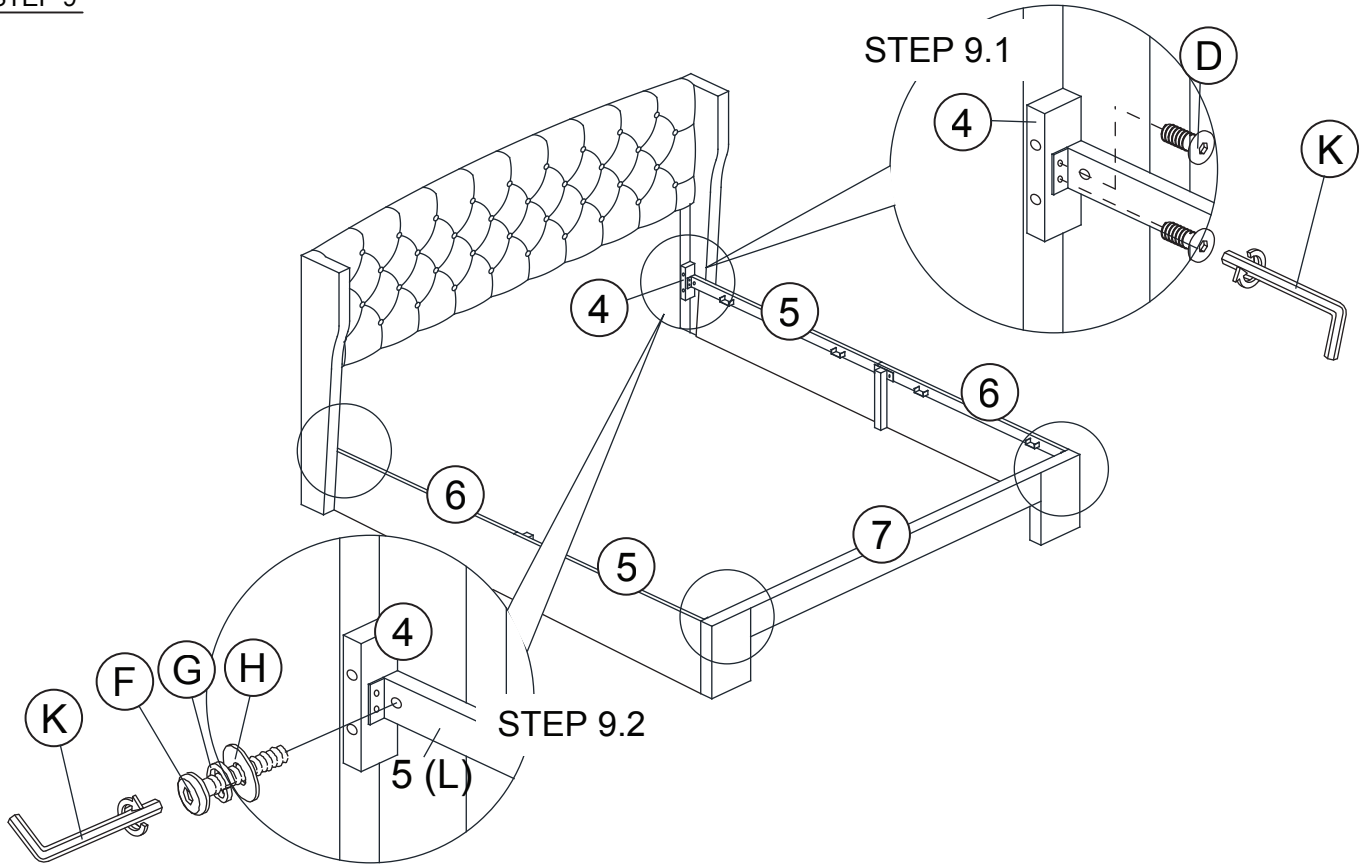
side rail cover
will be end here

STEP 8.2

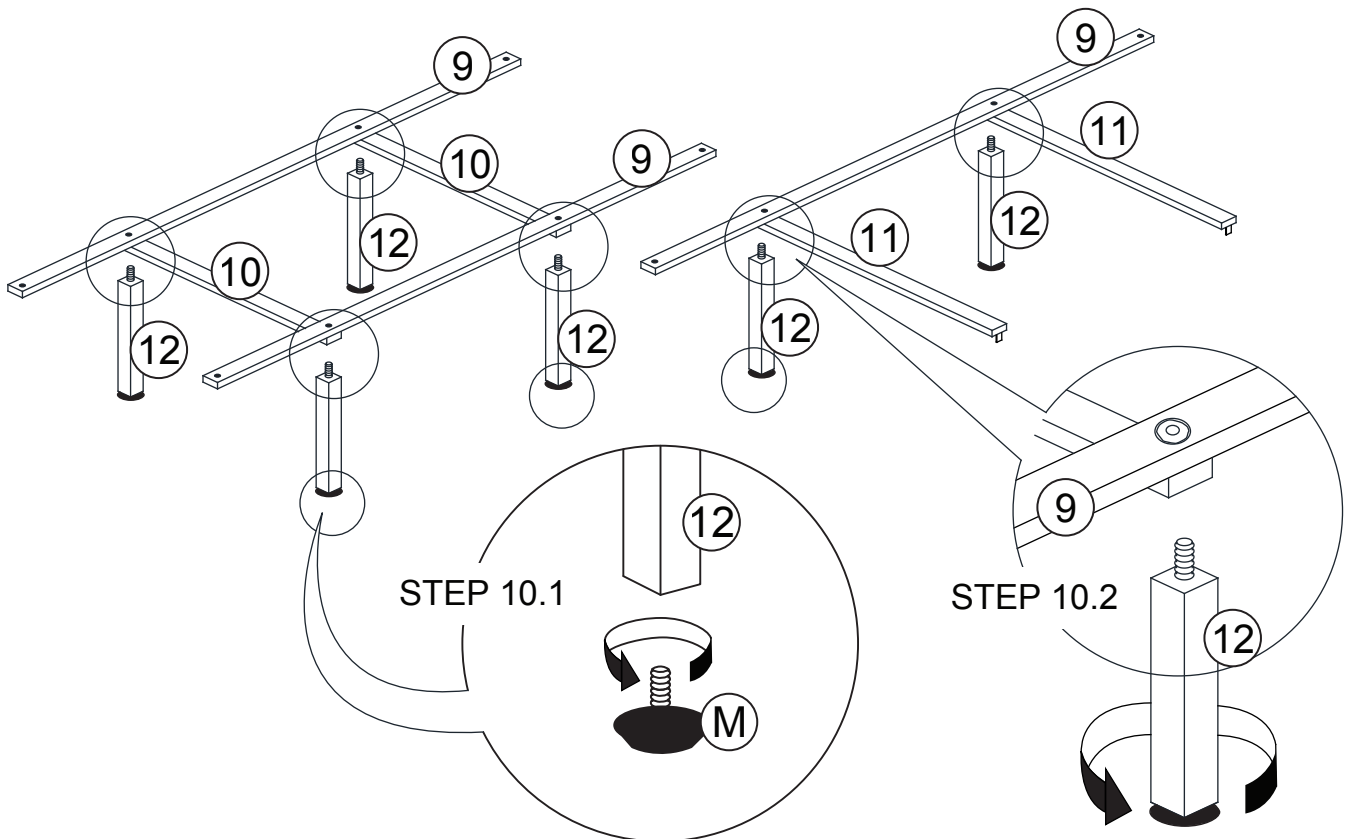
STEP 8.1



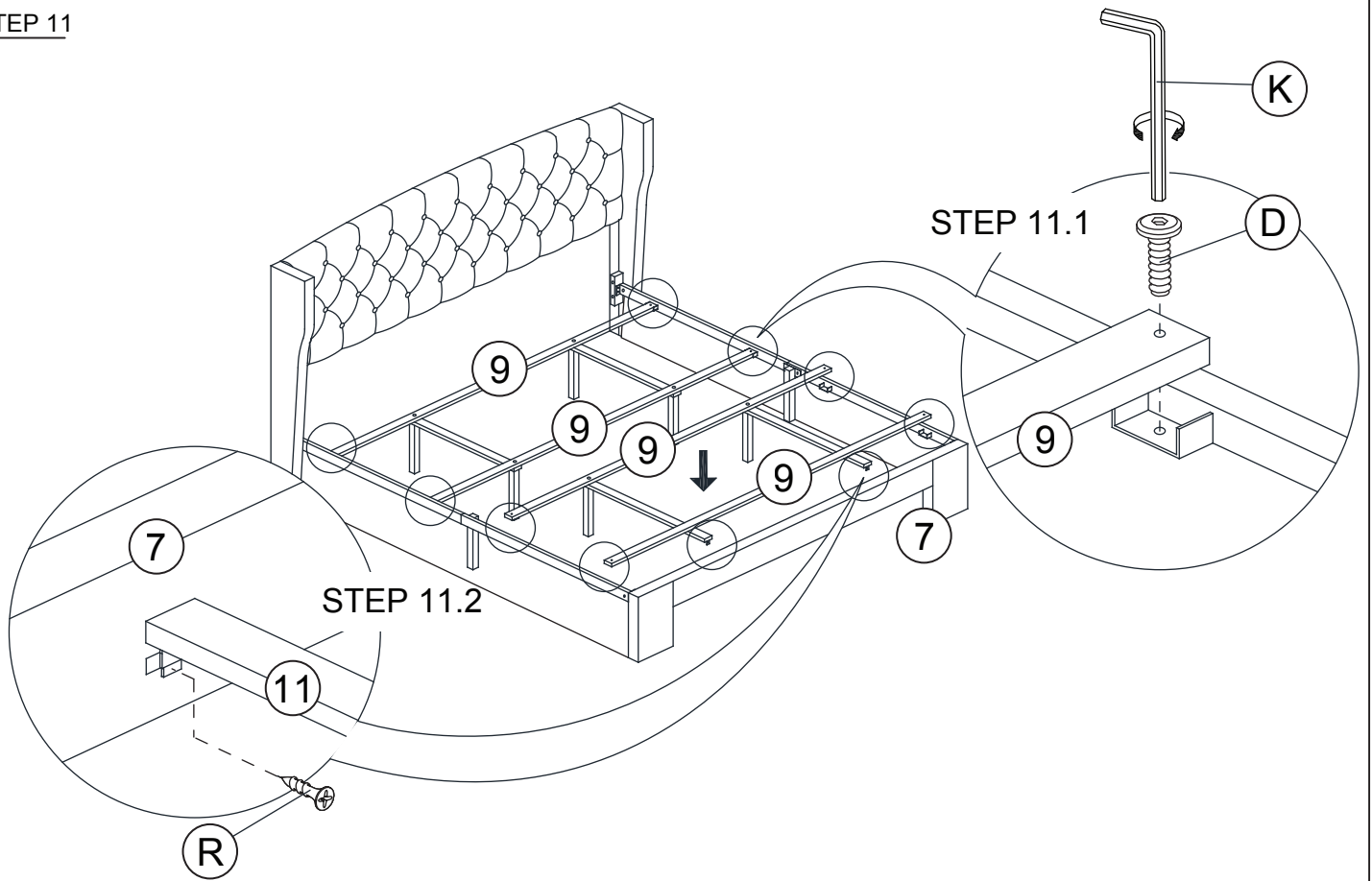
STEP 9



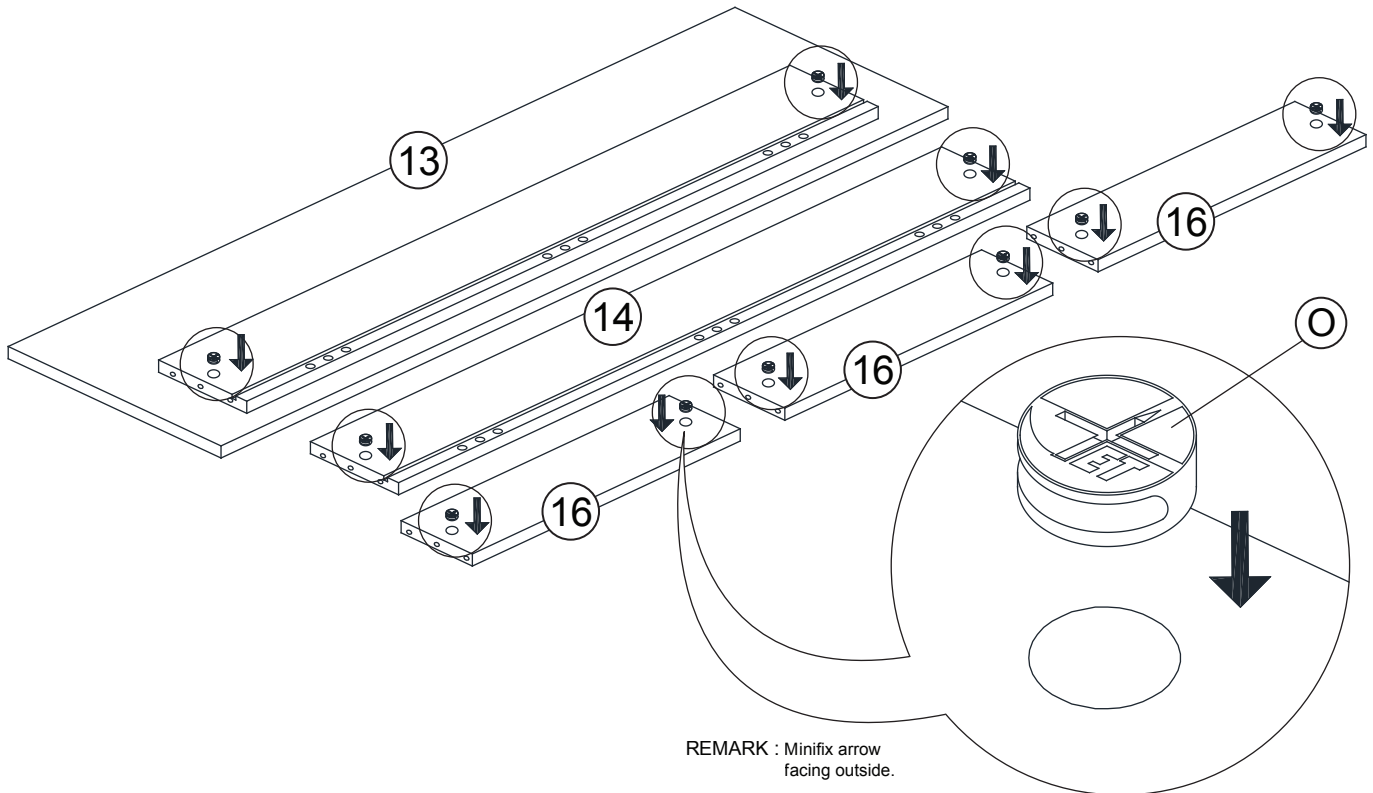
STEP 10



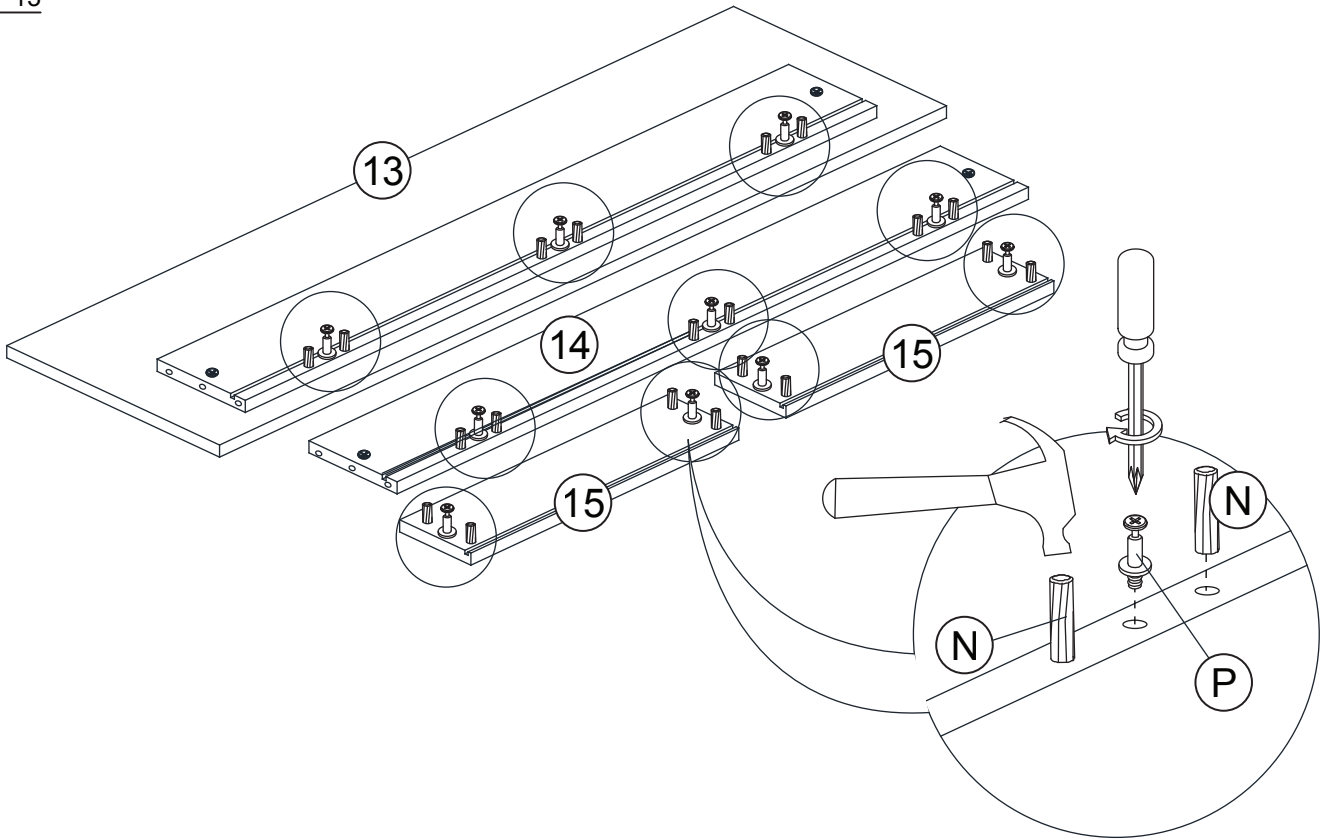
STEP 11



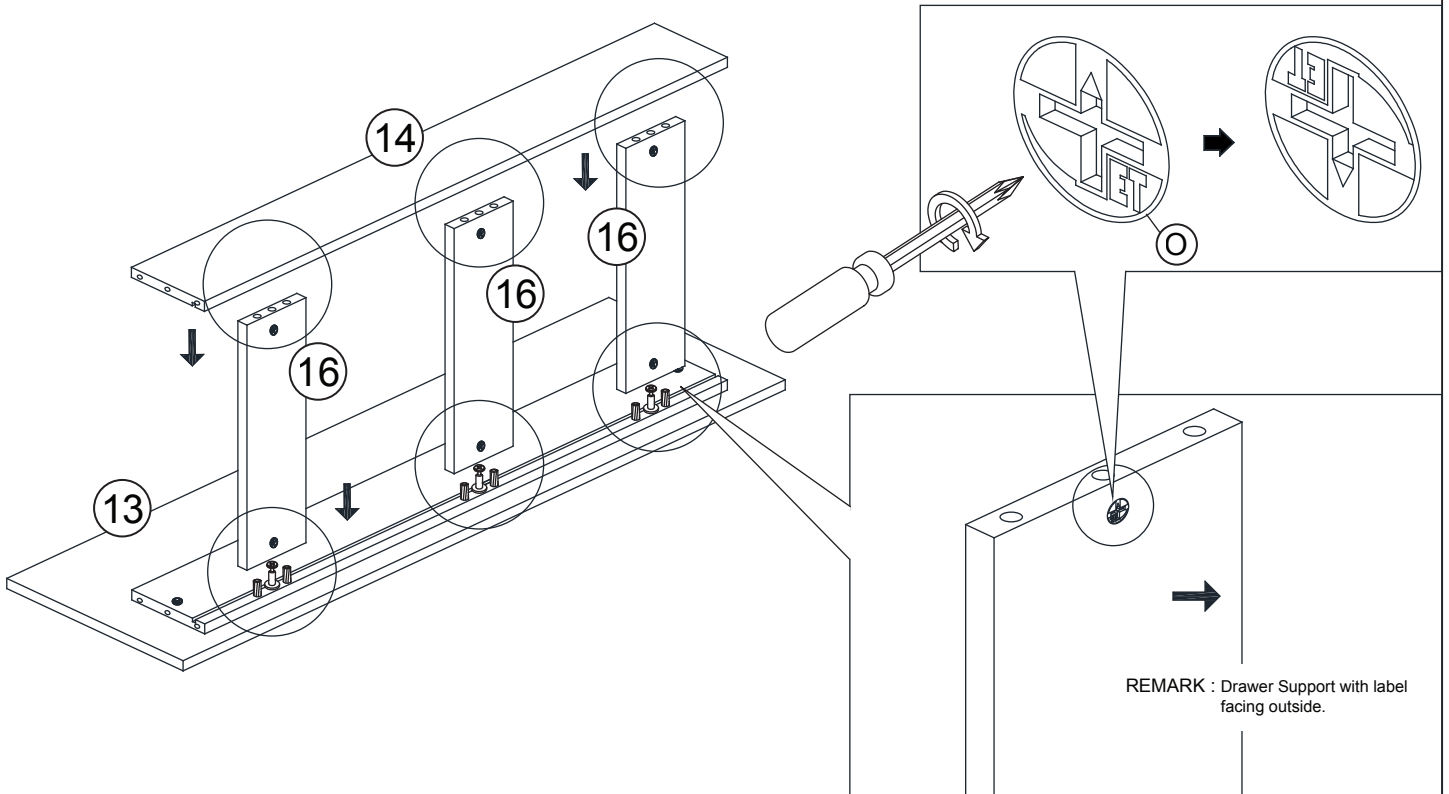
STEP 12



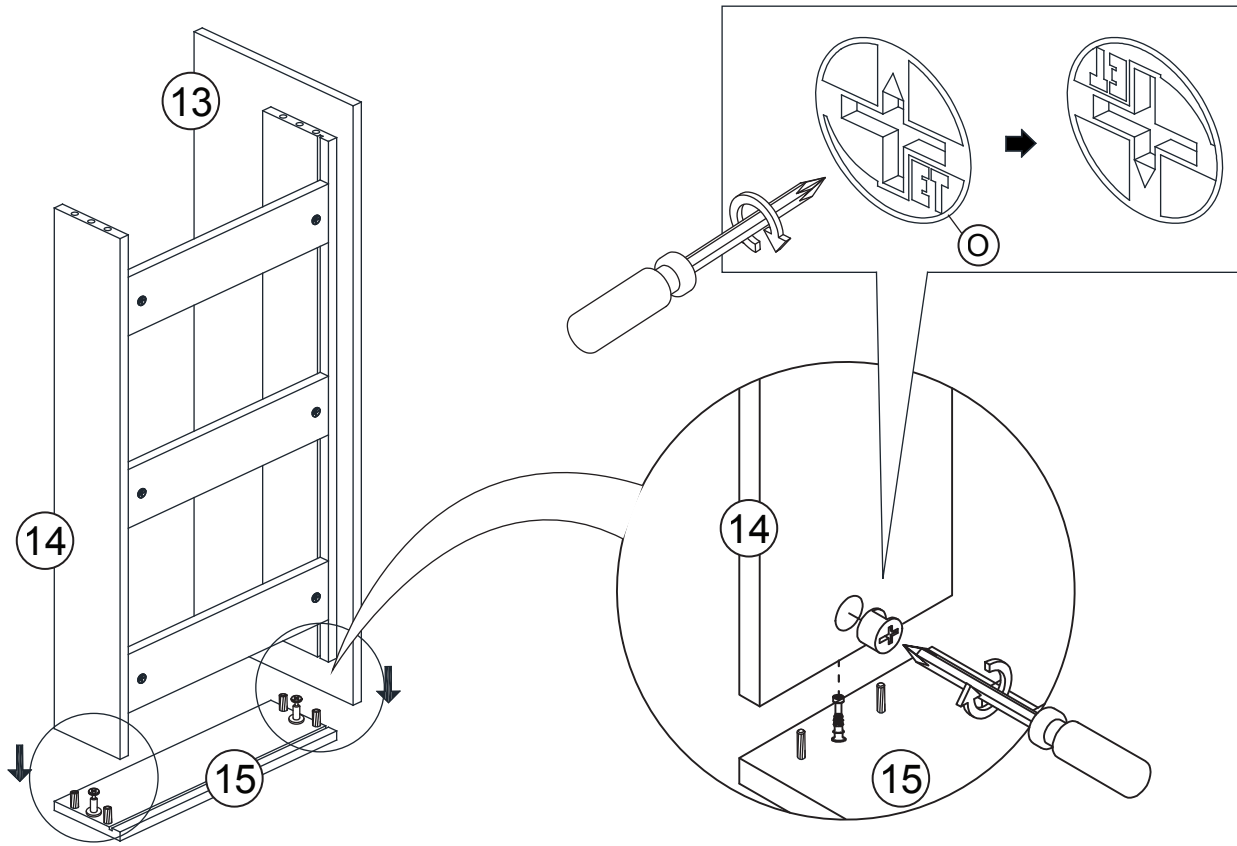
STEP 13



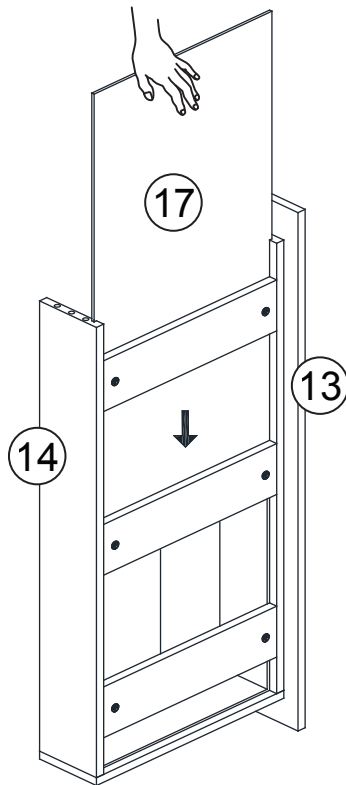
STEP 14



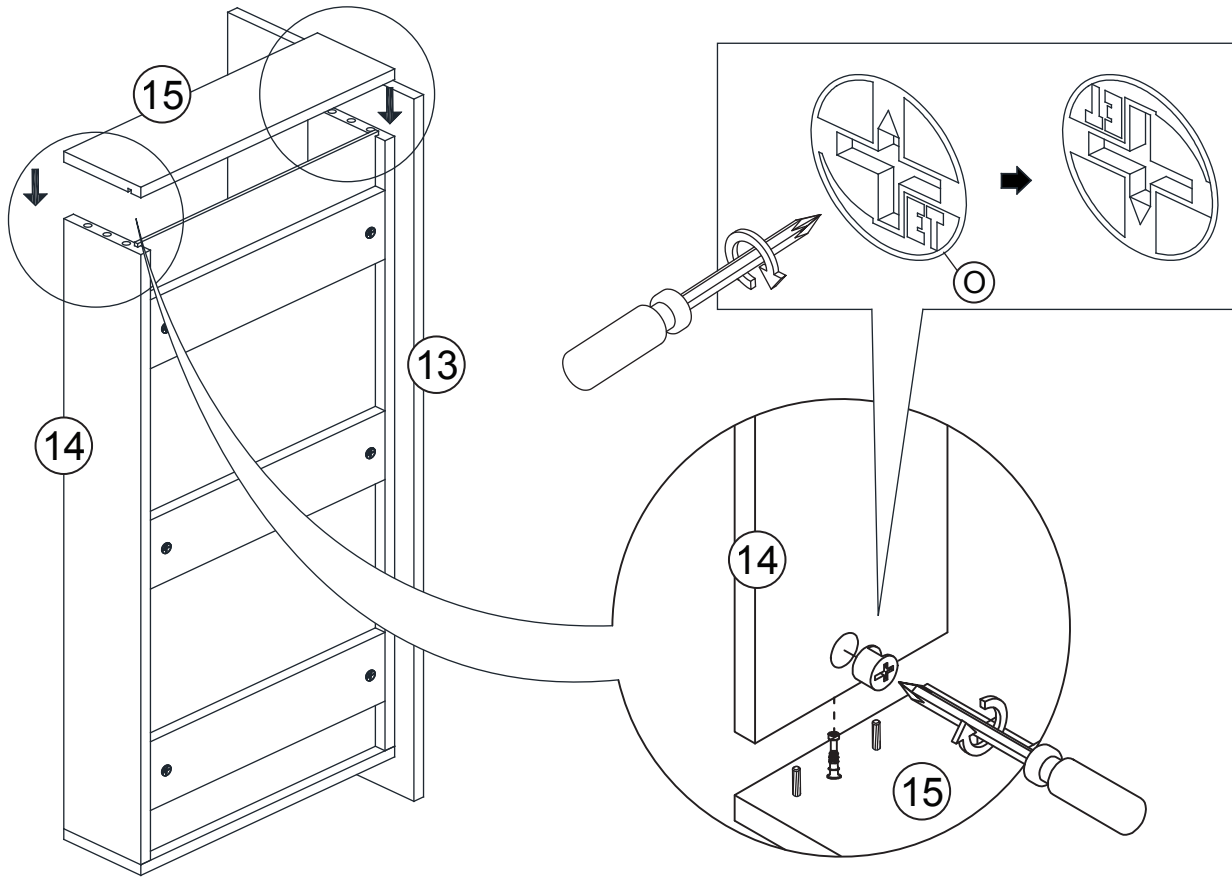
STEP 15



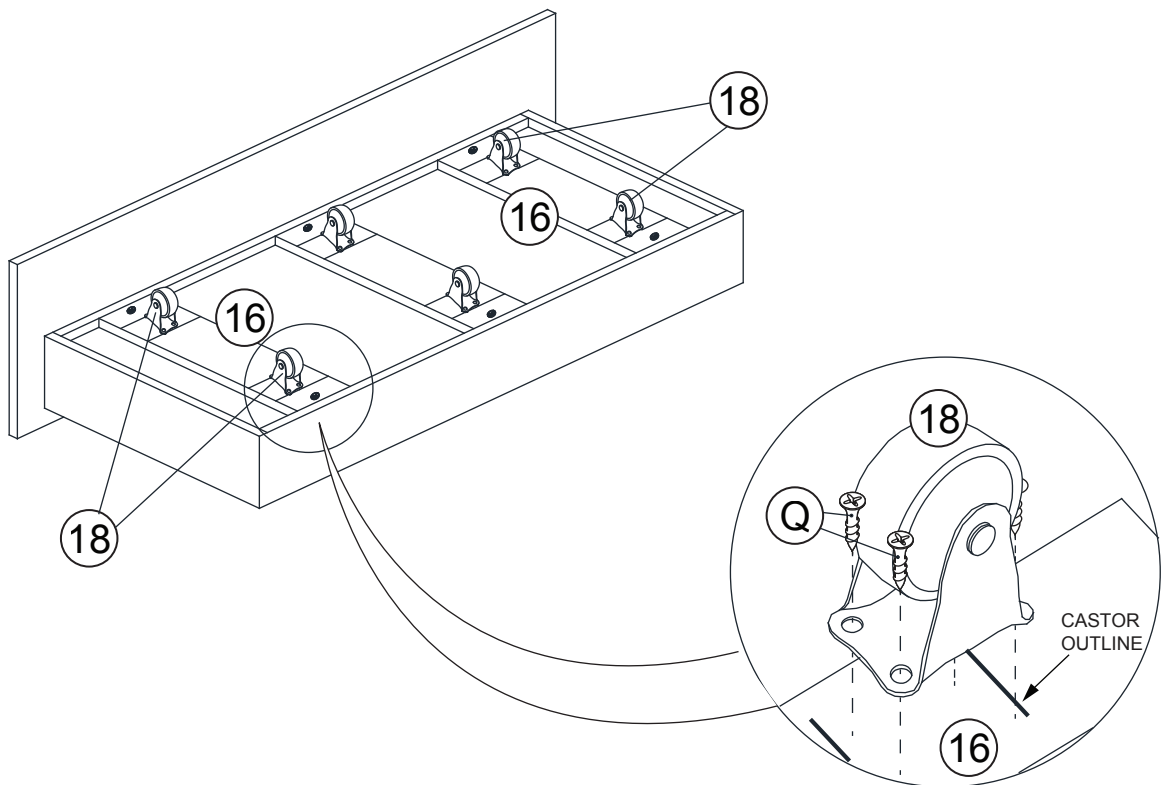
STEP 16



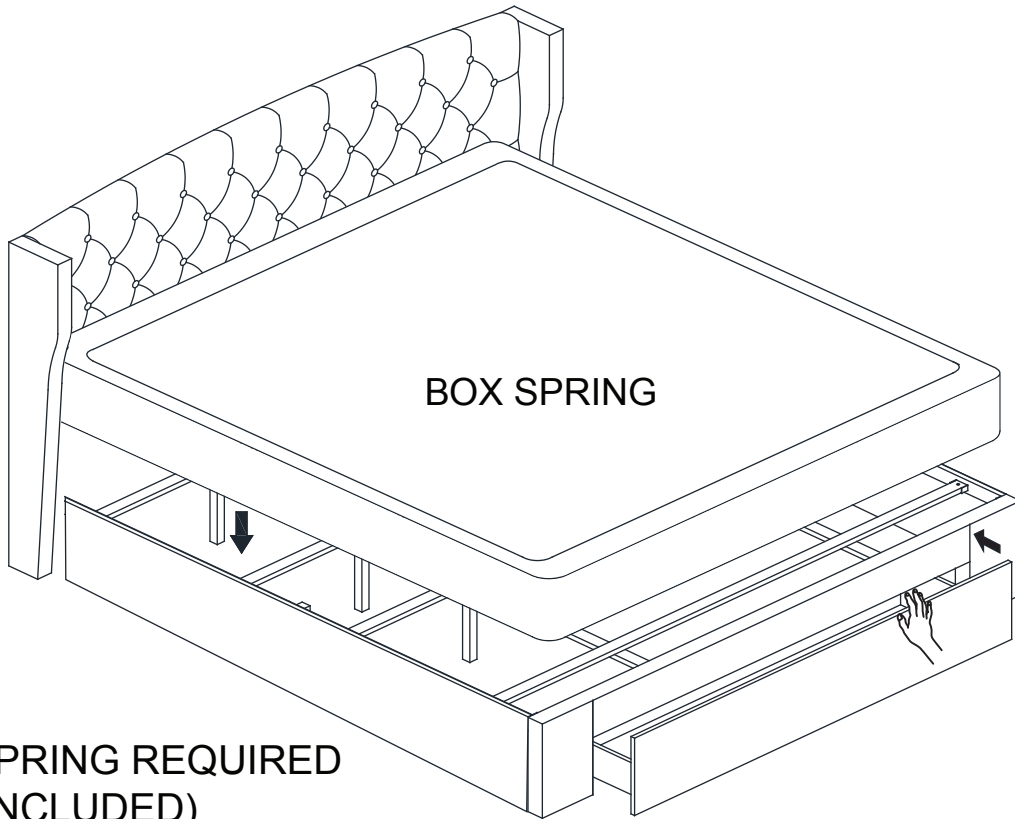
STEP 17



STEP 18

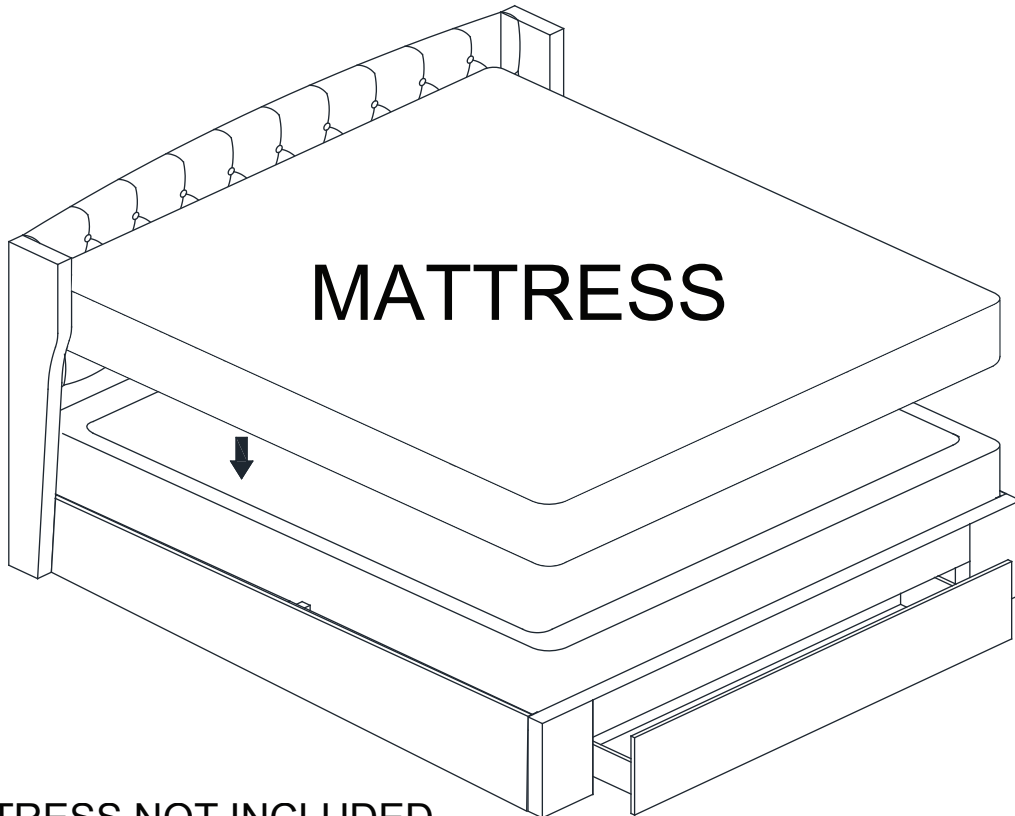


STEP 19



**BOX SPRING REQUIRED
(NOT INCLUDED)**

STEP 20



MATTRESS NOT INCLUDED

ASSEMBLY COMPLETED