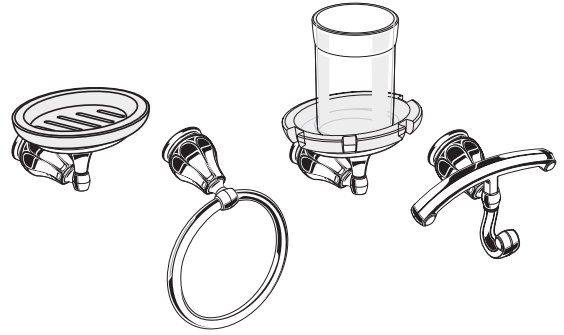


ACCESSORIES

TOWEL RING
 SOAP DISH
 TUMBLER WITH TOOTHBRUSH HOLDER
 ROBE HOOK

6028.190 6094
 6028.150 6095
 6028.160 6096
 6028.210 6097



Certified to comply with ANSI A112.18.1

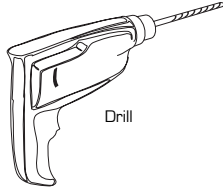
M968859 REV.1.1

Thank you for selecting American-Standard...the benchmark of fine quality for over 100 years.
 To ensure that your installation proceeds smoothly--please read instructions carefully before you begin.

Recommended Tools



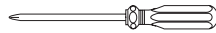
Tape Measure



Drill



Regular Screwdriver



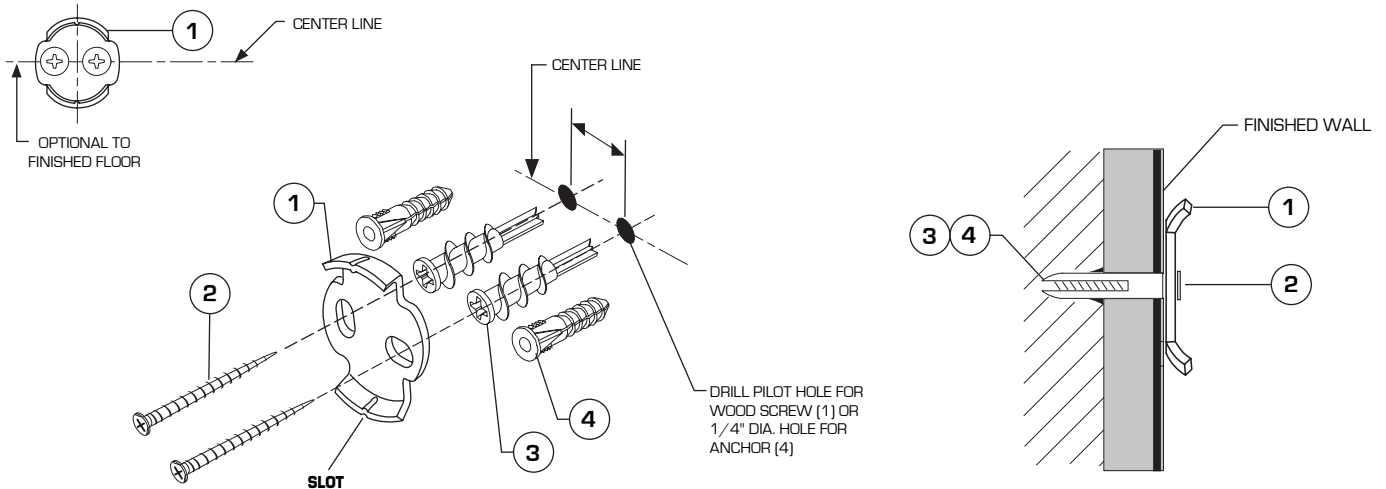
Phillips Screwdriver

CARE INSTRUCTIONS:

DO: SIMPLY RINSE THE PRODUCT CLEAN WITH CLEAR WATER. DRY WITH A SOFT COTTON FLANNEL CLOTH.
DO NOT: CLEAN THE PRODUCT WITH SOAPS, ACID, POLISH, ABRASIVES, HARSH CLEANERS, OR A CLOTH WITH A COARSE SURFACE.

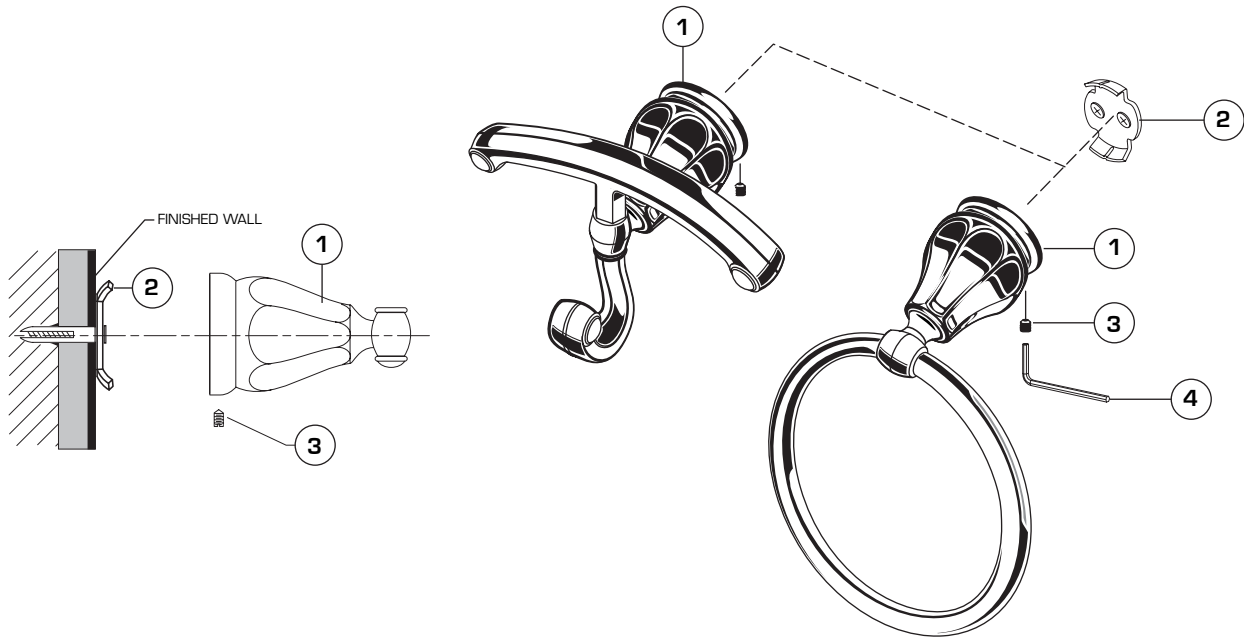
1 TOWEL RING, SOAP DISH, TUMBLER WITH TOOTHBRUSH HOLDER and ROBE HOOK MOUNTING BRACKET INSTALLATION

- The TOWEL RING, SOAP DISH, TUMBLER WITH TOOTHBRUSH HOLDER and ROBE HOOK work best if secured to a wall stud or cross brace within the wall, using the SCREWS [2] supplied.
- If the TOWEL RING, SOAP DISH, TUMBLER WITH TOOTHBRUSH HOLDER and ROBE HOOK are to be installed on a tile or plaster wall the DRYWALL ANCHORS or TILE ANCHORS and SCREWS should be used.
- Determine desired height and location (optional) and mark a center line. Using the MOUNTING BRACKET [1] as a template mark the two spots for the mounting holes. If MOUNTING BRACKET [1] is secured to a stud or cross brace drill small pilot holes for SCREWS [2].
- *For installations on drywall*, use DRYWALL ANCHORS [3] and SCREWS [2] for securing MOUNTING BRACKET [1] to wall. Place #2 Phillips screwdriver or cordless screwdriver into recess of anchor. Press into drywall while turning the anchor clockwise until it is seated flush with the wall. Place MOUNTING BRACKET [1] over DRYWALL ANCHORS [3] and insert screws provided with #2 Phillips screwdriver. See illustration below. Secure MOUNTING BRACKET [1] to wall with SCREWS [2].
- *For installations on tiled walls*, if TILE ANCHORS [4] and SCREWS [2] are use for securing MOUNTING BRACKET [1], then drill two 1/4" diameter holes a minimum of 1-1/4" deep. Insert the two TILE ANCHORS [4] flush with face of the finished wall.
- Secure MOUNTING BRACKET [1] to wall with SCREWS [2].



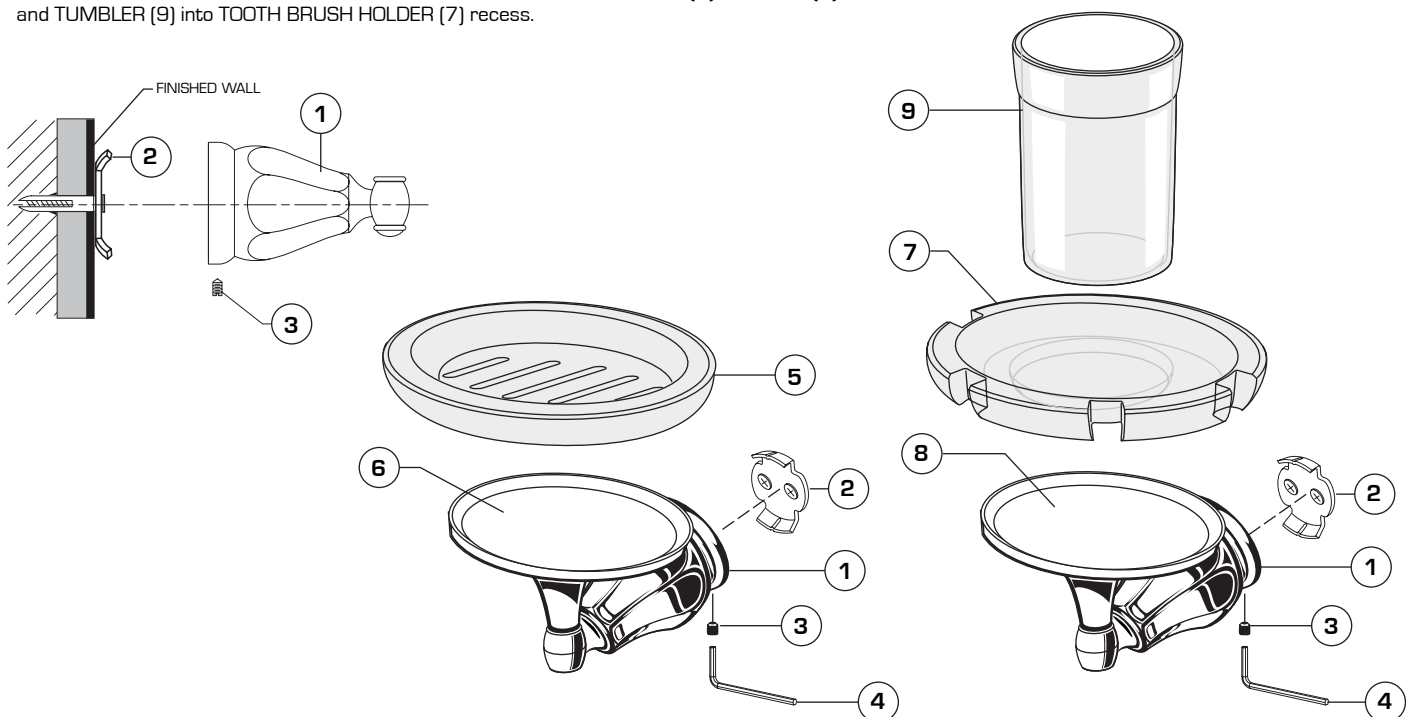
2 TOWEL RING AND ROBE HOOK INSTALLATION

- Align accessory and place ESCUTCHEON (1) onto MOUNTING BRACKET (2). Secure accessory with SET SCREW (3) using 2.5mm HEX WRENCH (4) supplied.



3 SOAP DISH AND TUMBLER WITH TOOTHBRUSH HOLDER INSTALLATION

- Align accessory and place ESCUTCHEON (1) onto MOUNTING BRACKET (2). Secure accessory with SET SCREW (3) using 2.5mm HEX WRENCH (4) supplied.
- FOR SOAP DISH: Place SOAP DISH (5) into TRAY (6).
- FOR TOOTH BRUSH HOLDER with TUMBLER: Place TOOTHBRUSH HOLDER (7) into TRAY (8) and TUMBLER (9) into TOOTH BRUSH HOLDER (7) recess.



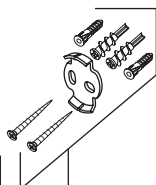
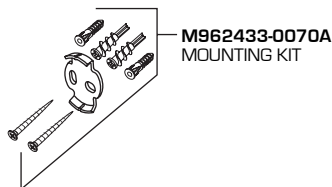
ACCESSORIES

TOWEL RING
 SOAP DISH
 TUMBLER / TOOTHBRUSH HOLDER
 ROBE HOOK

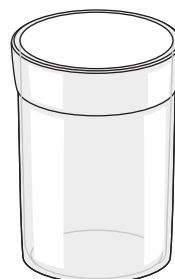
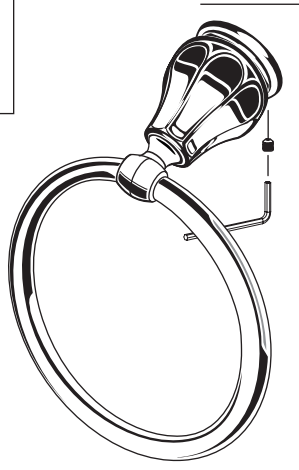
MODEL NUMBERS

6028.190	6094
6028.150	6095
6028.160	6096
6028.210	6097

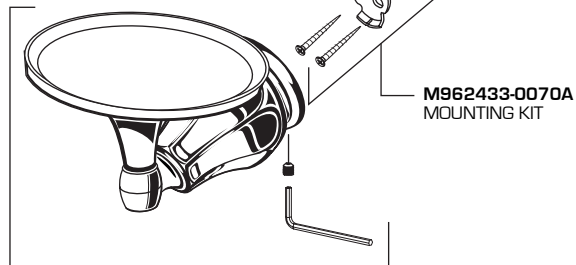
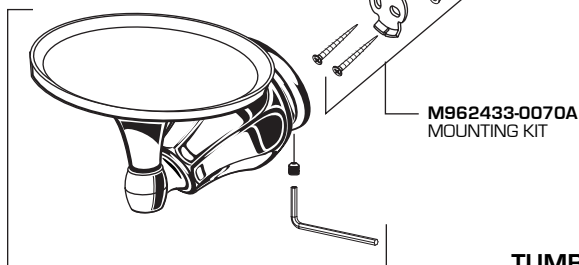
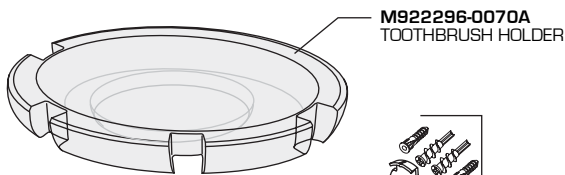
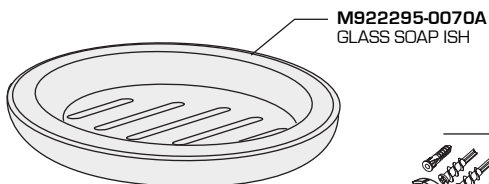
ROBE HOOK



TOWEL RING



SOAP DISH



M962436-YYY0A HOLDER ASSEMBLY

TUMBLER WITH TOOTHBRUSH HOLDER

M962436-YYY0A HOLDER ASSEMBLY

Replace the "YYY" with appropriate finish code

CHROME	002
BRUSHED BRASS	275
SATIN	295



HOT LINE FOR HELP
 For toll-free information and answers to your questions, call:
 1-800-442-1902
 Weekdays 8:00 a.m. to 8:00 p.m. EST
 IN MEXICO 01-800-839-1200
 IN CANADA 1-800-387-0369 (TORONTO 1-905-306-1093)
 Weekdays 8:00 a.m. to 7:00 p.m. EST

Product names listed herein are trademarks of American Standard Inc.
 © American Standard Inc. 2005