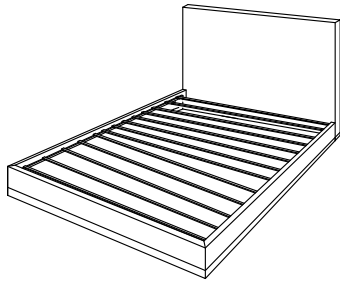
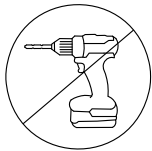


ASSEMBLY INSTRUCTIONS

Bed- T



+ **Do Not Use Power Tools**



+ **Suggested Adults**



NOTE:

- 1 Read instructions cover to cover.
- 2 Save all packaging until assembly is completed.

1 IMPORTANT SAFETY INFORMATION

Do not assemble the product if any of the following parts arrived damaged:

- Part#1 -HeadBoard
- Part #2 -FootBoard
- Part #3 -Wood strip for Side rail
- Part #4 -Side rail
- Part #5 -Slats

Do not assemble if any of the following Hardware parts are missing:

- Part#B,G -Bolt Part#D -Lock washer
- Part #A -Allen Key Part #F -Metal bracket
- Part# C-Flat washer Part# E-Screw

2 IMPORTANT ASSEMBLY INFORMATION

Assembly Step If loosening persists, please make sure to tighten all the bolts periodically, or use a thread locker adhesive.

+ Parts Included

① HeadBoard
(1 pc)



② FootBoard
(1 pcs)



③ Wood strip for Side rail
(2 pcs)



④ Side rail
(2 pcs)



⑤ Slats
(13 pcs)



+ Hardware Included

A Ø5/16"
(1 pc)



B Ø5/16"*3/4"
(24 pcs)



C Ø5/16"
(36 pcs)



D Ø5/16"*3/4"
(36 pcs)



E M6*35mm
(26 pcs)



F Metal bracket
(4 pcs)



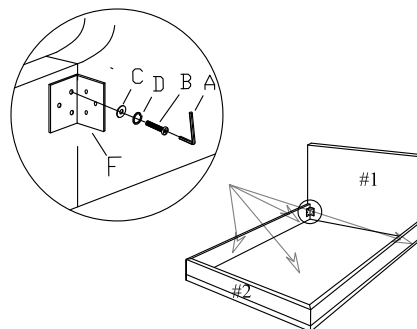
G Ø5/16"*2"
(12 pcs)



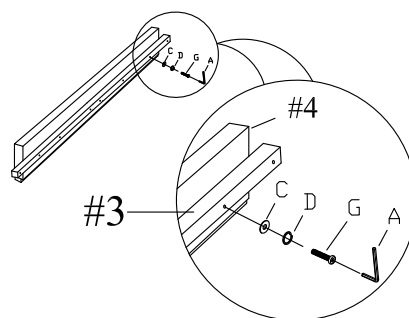
ASSEMBLY INSTRUCTIONS

Bed- T

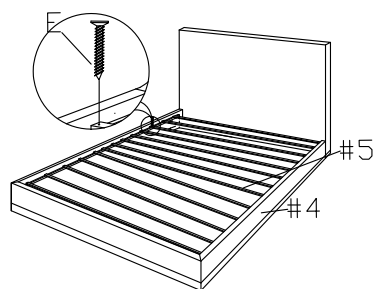
- 1 Attach #F Metal bracket to side rail and Headboard #1 & Footboard #2 with Bolt (B), Lock washer (D) and Flat Washer(C). Tighten with Allen Key(A).



- 2 Attach #3 Wood strip for Side rail to Side rail #4 with Bolt (G), Lock washer (D) and Flat Washer(C). Tighten with Allen Key(A).



- 3 Attach Slats #5 to Side rail #4 by screw #E



- 4 Done

