

SEACHROME

Seachrome Corporation
 1906 East Dominguez Street
 Long Beach, California 90810
 Phone: (800) 955-2476
 Fax: (800) 444-3380

Description:

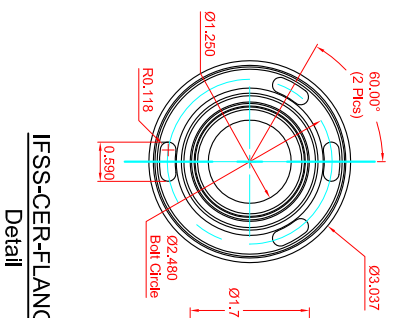
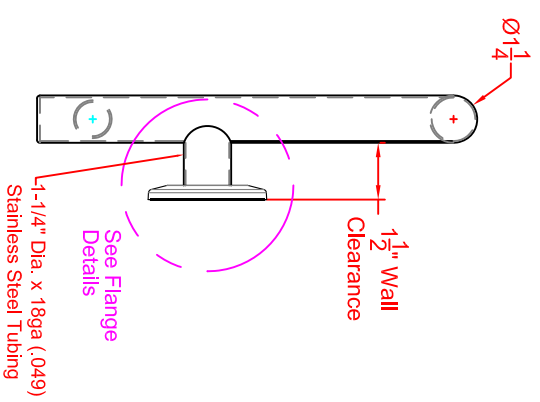
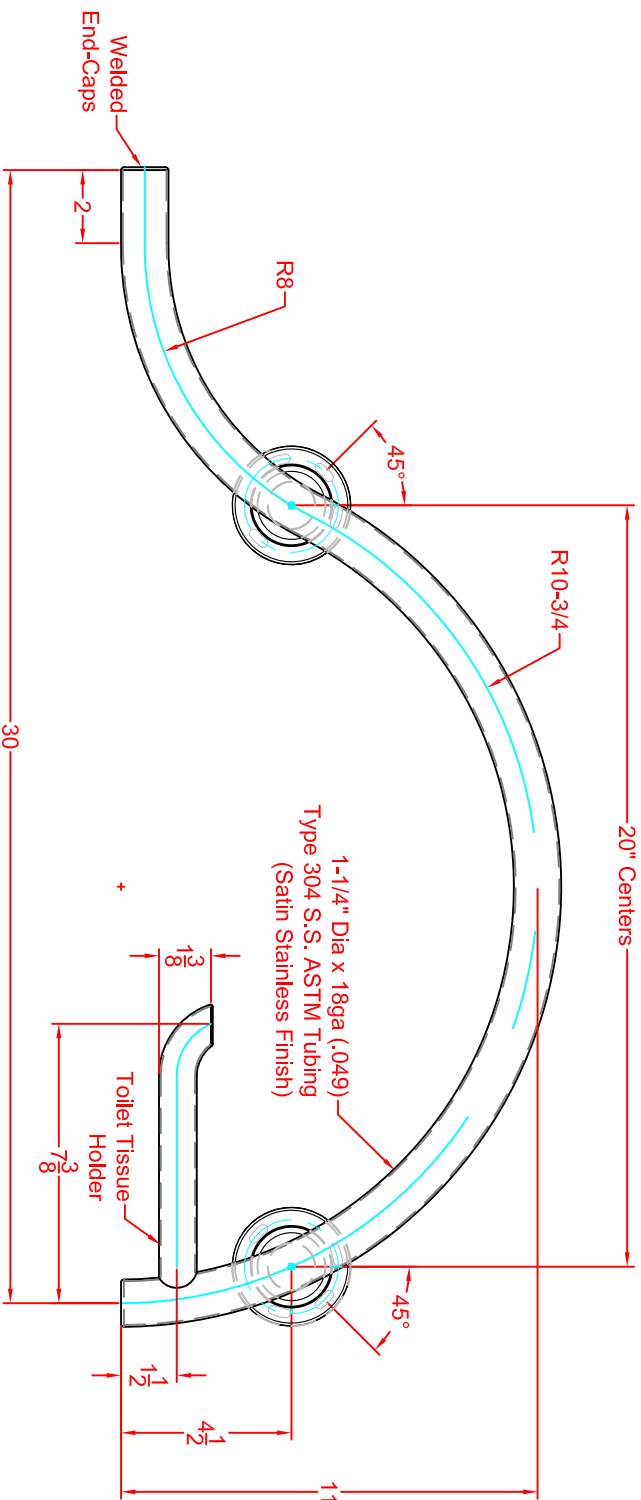
GWL-3330-QCR-SS
30" LH Pismo Curved Bar w/Toilet Tissue Holder
1-1/4" x 18ga S.S. Tubing
(Satin Stainless Finish)

Customer:

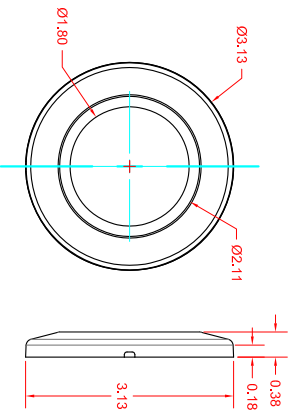
Customer Part #

LIFESTYLE & WELLNESS

12-04-2019



IFSS-CER-FLANGE
Detail



ICSS-CGR-COVER
Detail

This drawing and the information contained herein is proprietary to Seachrome Corp. and shall not be reproduced, copied or disclosed in whole, or part, or used for manufacturing or for any other purpose without the written permission of Seachrome Corporation.

Hardware Package Includes:
 (6) #10 x 2-1/2" Phillips Pan Head
 Sheet Metal Screw