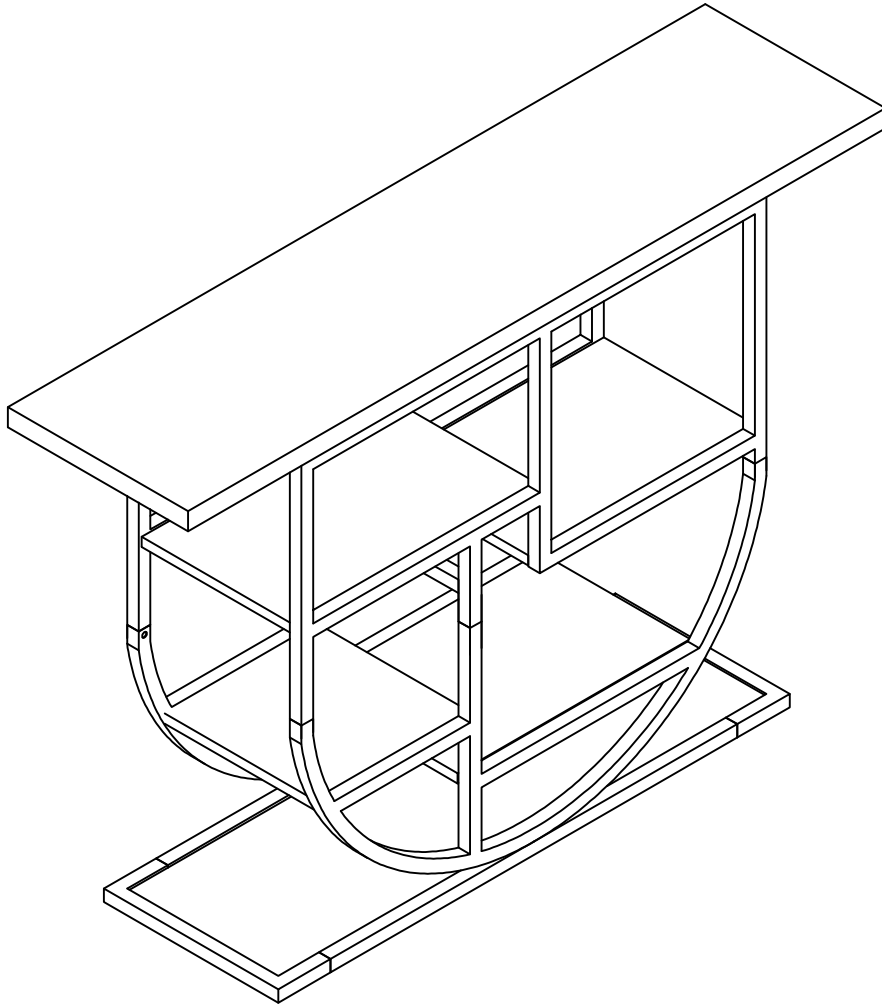
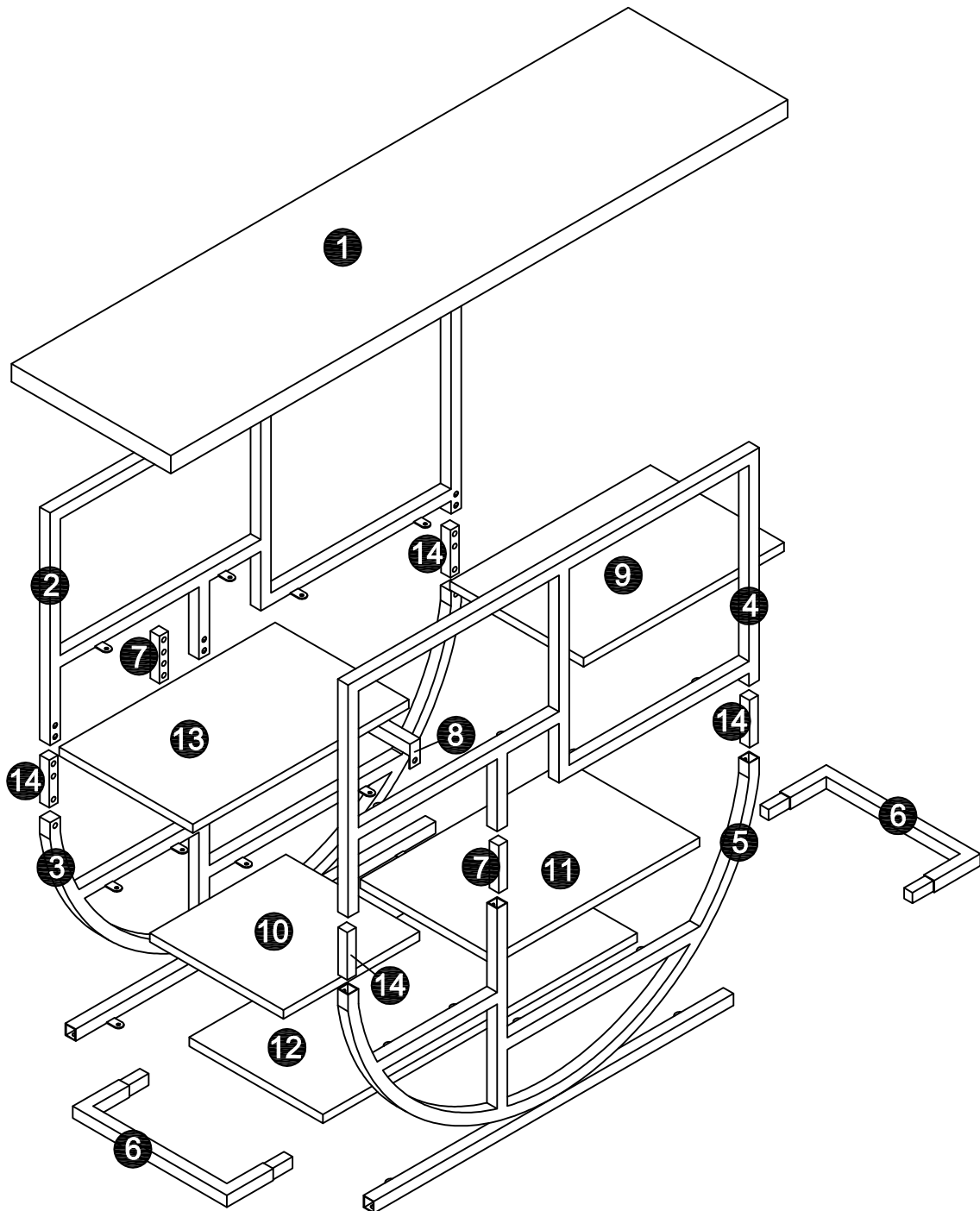


Side Cabinet

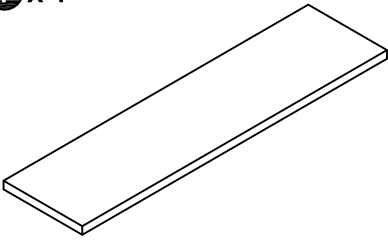


WARNING!

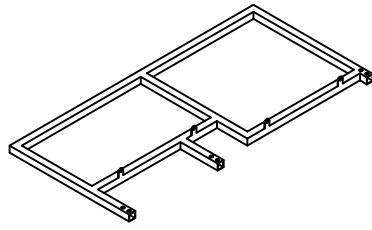
Serious or fatal crushing injuries can occur from furniture tip over. To prevent tip over this furniture must be used with the wall attachment device(s) provided. Read and follow each step of the instruction carefully.



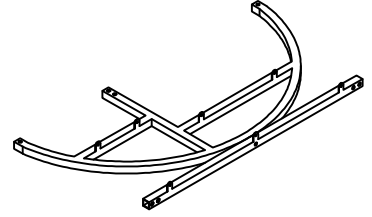
1 x 1



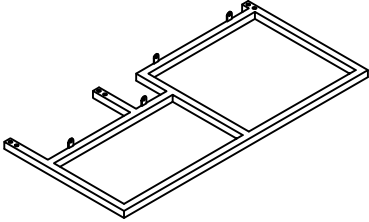
2 x 1



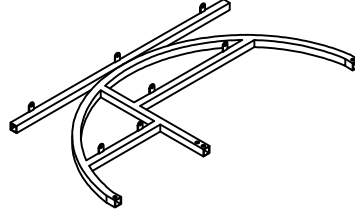
3 x 1



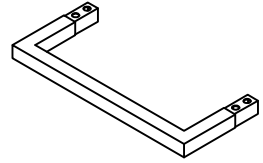
4 x 1



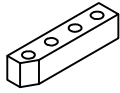
5 x 1



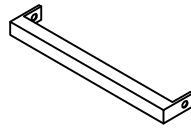
6 x 2



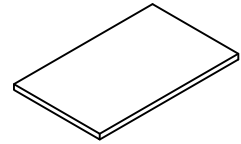
7 x 2



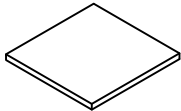
8 x 1



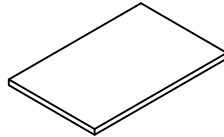
9 x 1



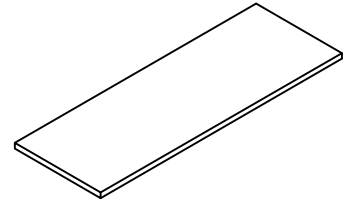
10 x 1



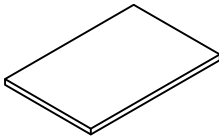
11 x 1



12 x 1

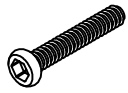


13 x 1



14 x 4





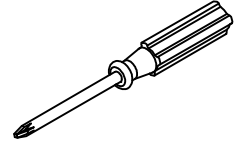
A x 6
M6 x 40mm



B x 28
M6 x 15mm



C x 22
Ø3x15mm



D x 1



E x 6

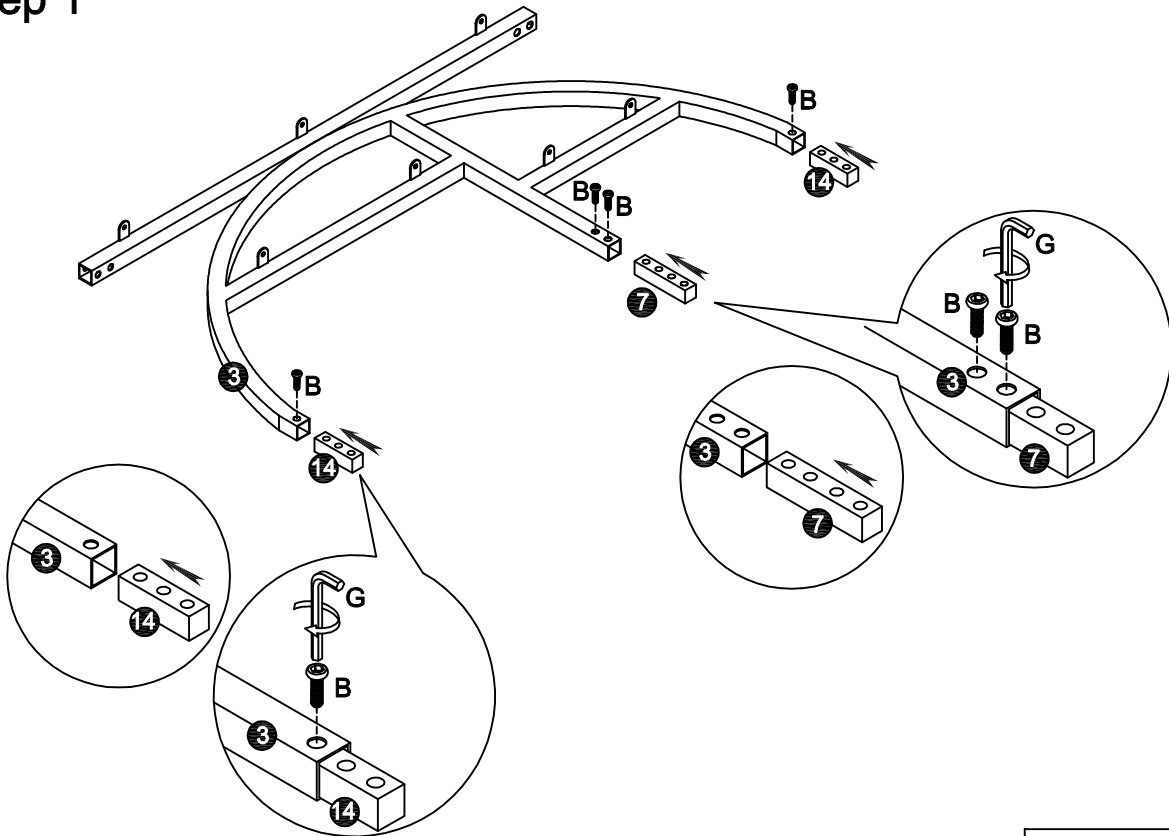




F x 6
Ø12x1mm



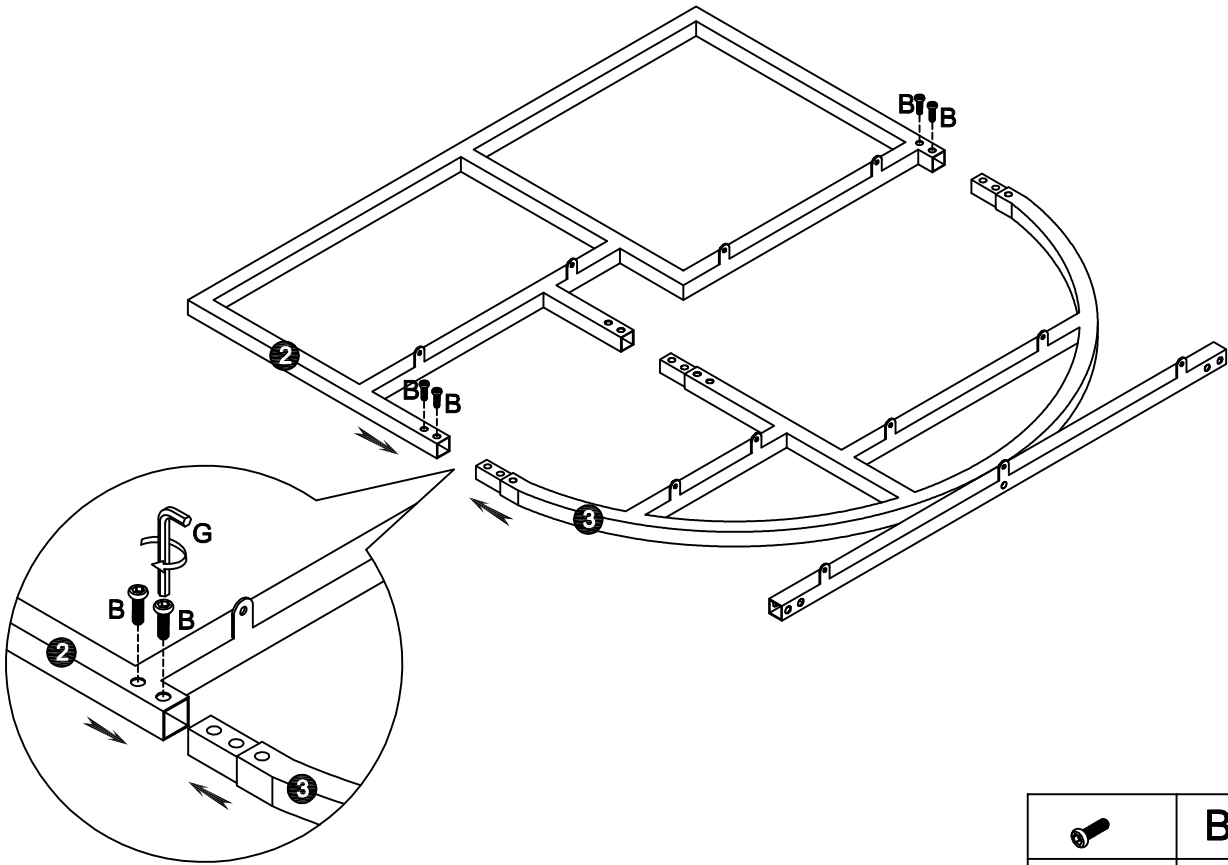
G x 1
M4



Step 1



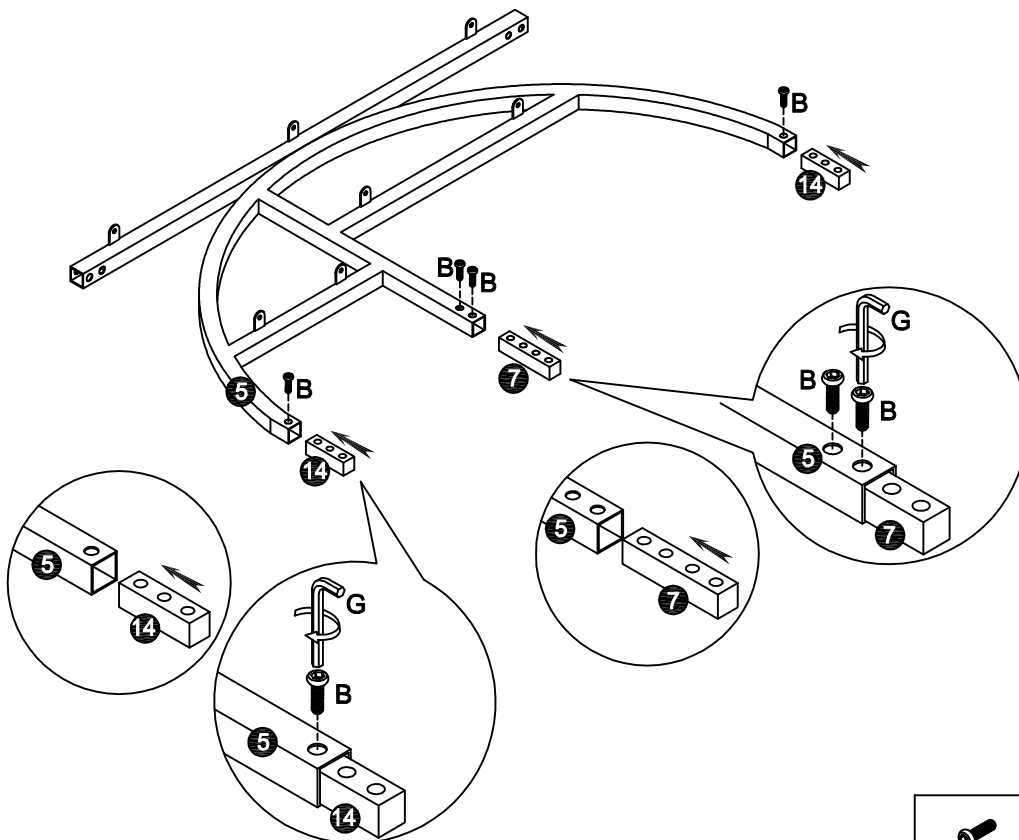
	B x 4
	G x 1



Step 2



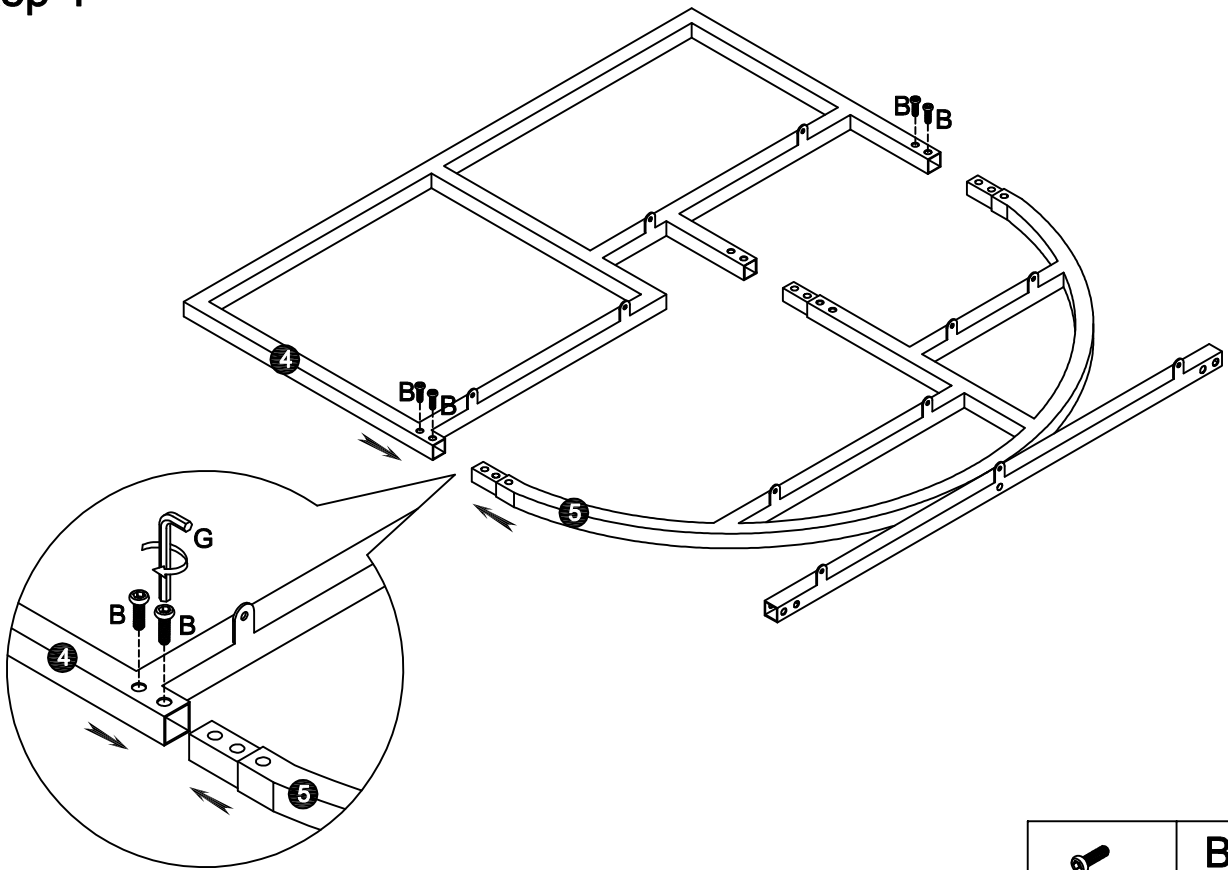
	B x 4
	G x 1



Step 3



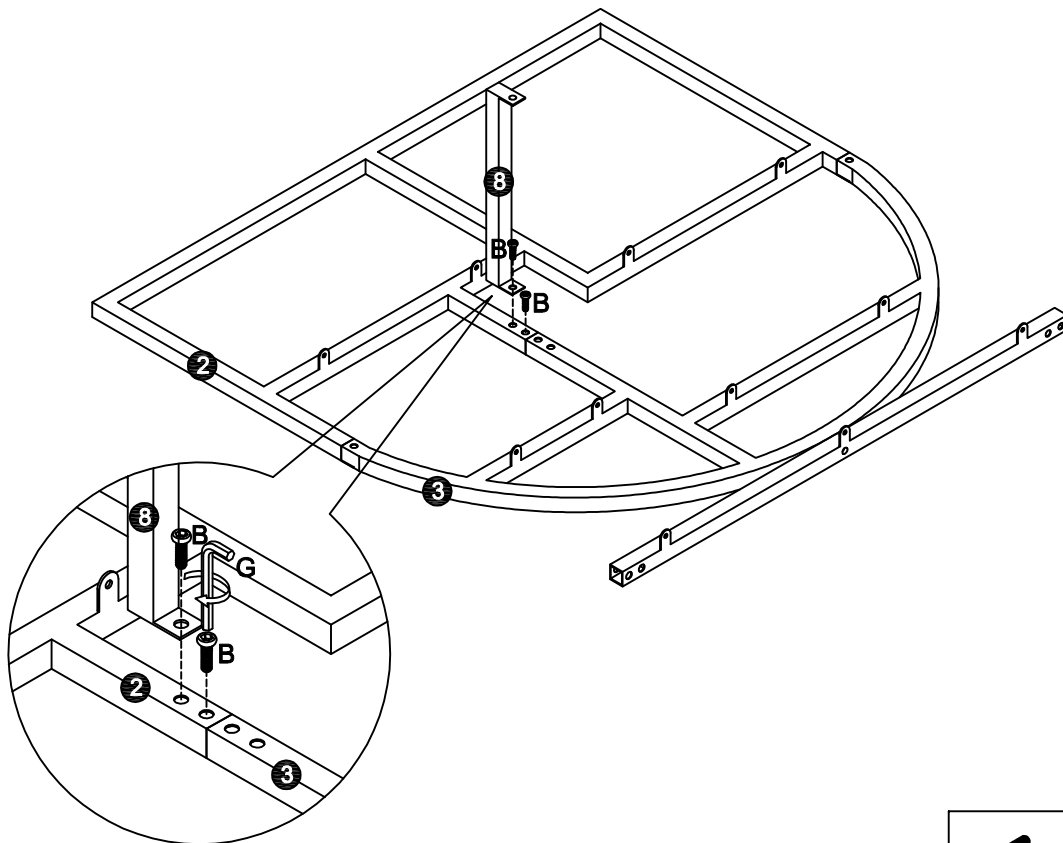
	B x 4
	G x 1



Step 4



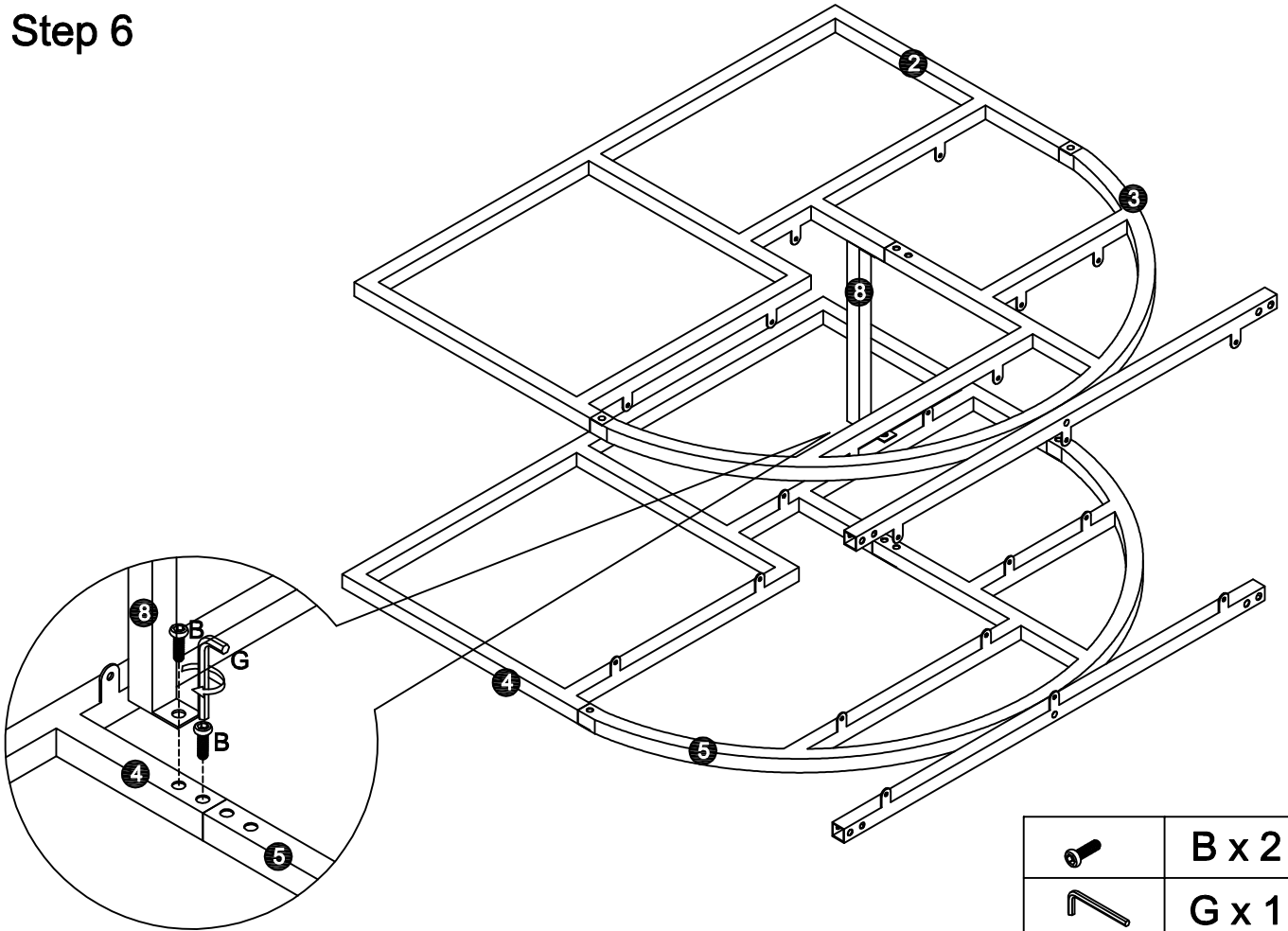
	B x 4
	G x 1



Step 5



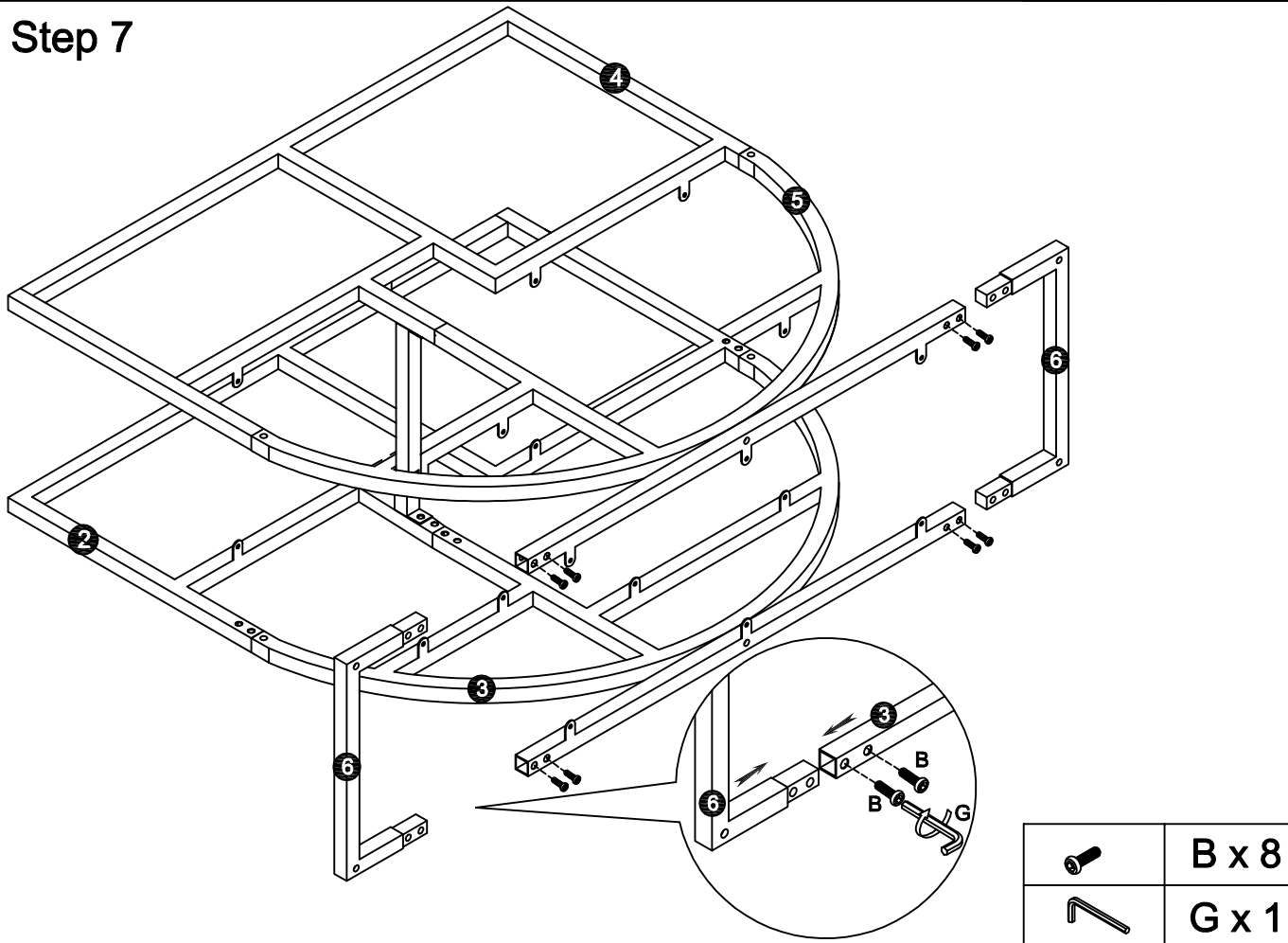
	B x 2
	G x 1


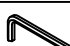
Step 6



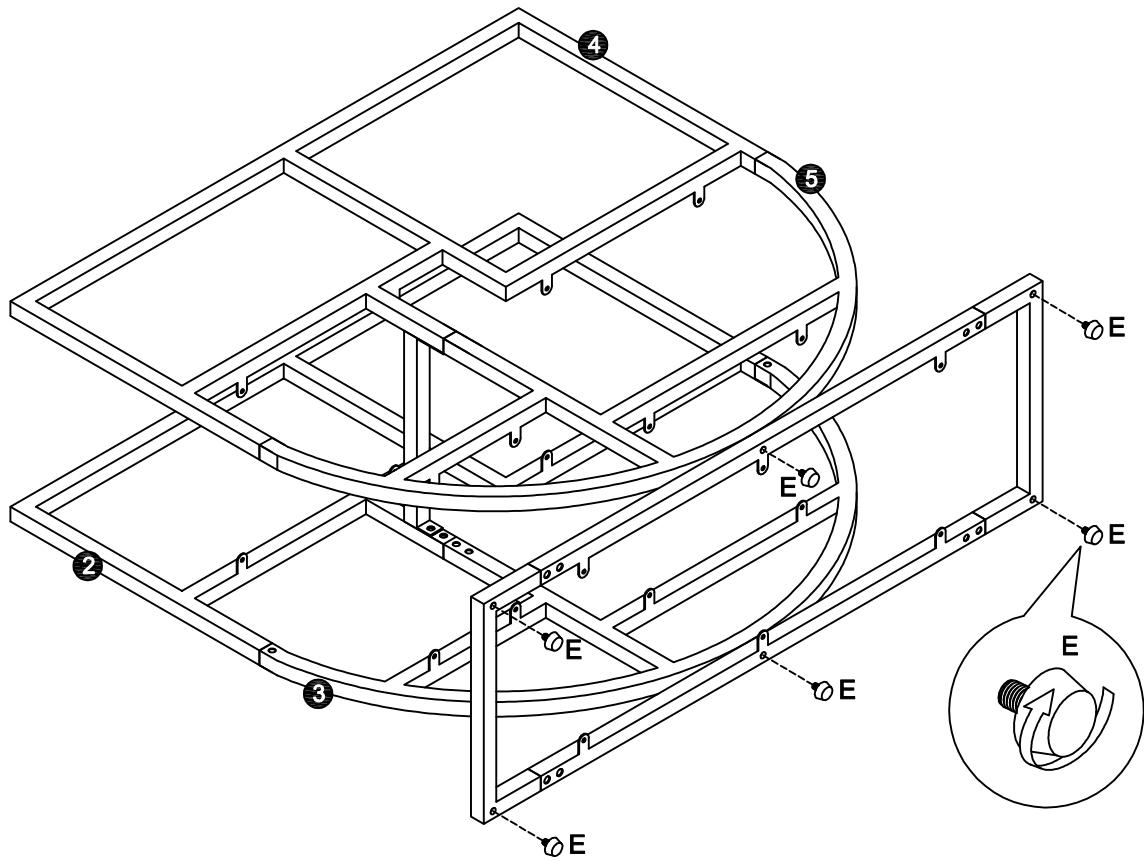
	B x 2
	G x 1


Step 7



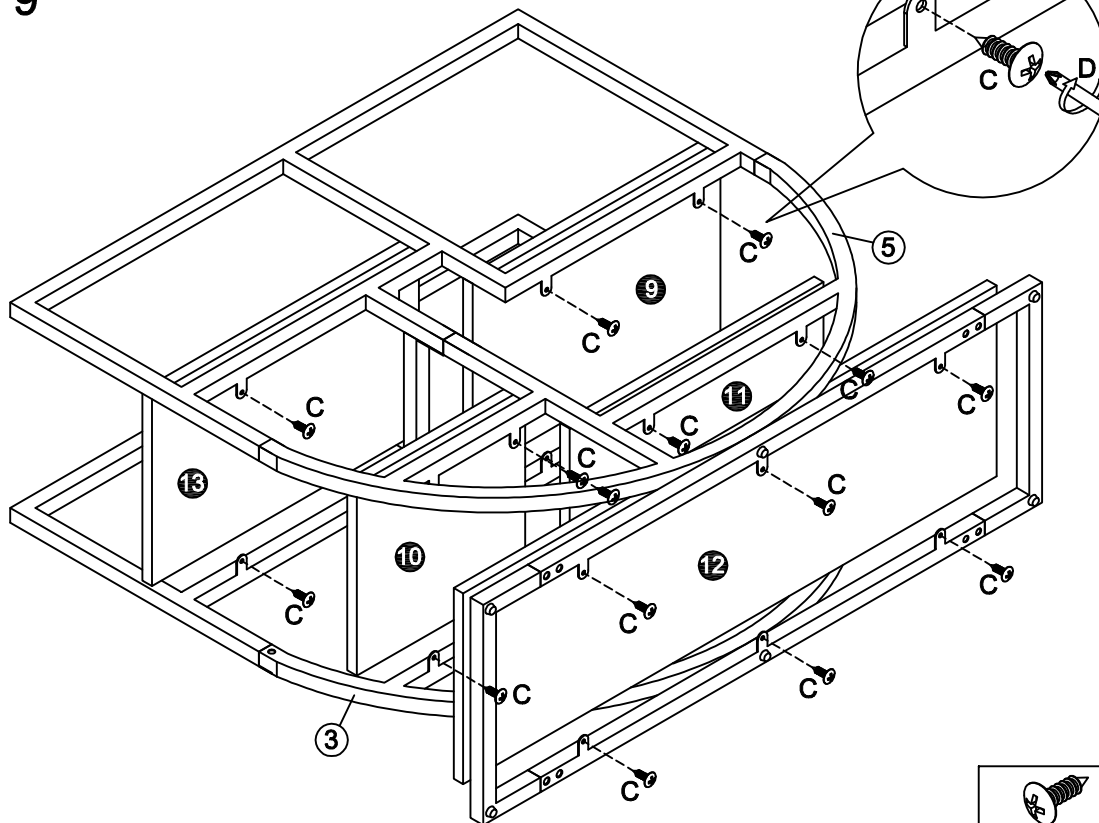
	B x 8
	G x 1



Step 8



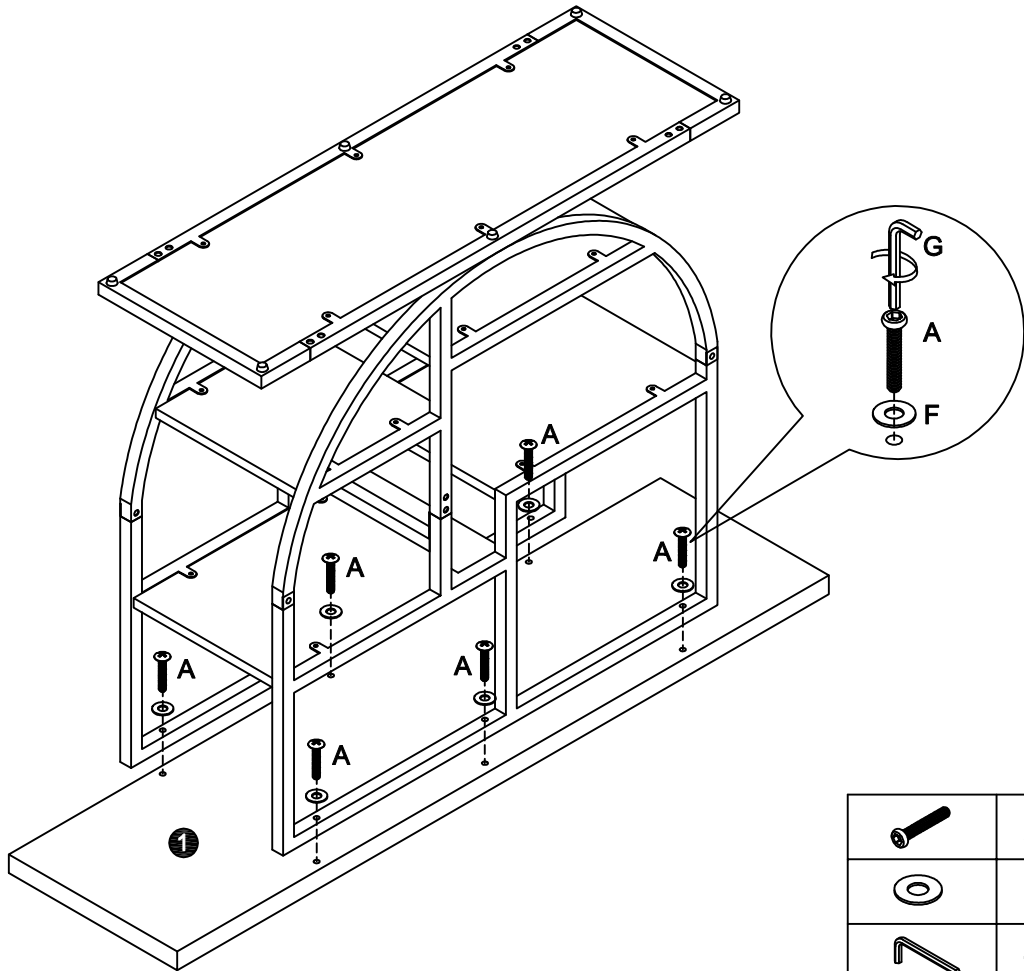
 **E x 6**



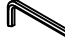
Step 9



 **C x 22**
 **D x 1**

Step 10



	A x 6
	F x 6
	G x 1

Step 11

