

ASSEMBLY INSTRUCTION

Thank you for purchasing the quality product. Be sure to check all packing material carefully for small parts which may have come loose inside the carton during shipment. Separate, identify and count all parts and metal hardware. Compare with all parts list to be sure all parts are present. If any part(s) are missing or damaged, please contact your local furniture dealer. For efficient and speedy service, please indicate the model number and code letter of part(s) needed.

*****Do not fully tighten screws until fully assembled*****

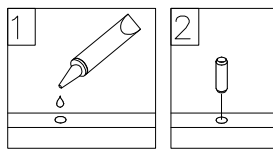


Attention:

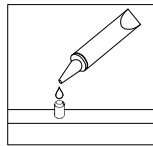
***Some number parts listed on the instruction sheet may not be in parts bag as they may already be assembled. Carefully check parts and packing materials prior to ordering replacements.

General Assembly Guidelines

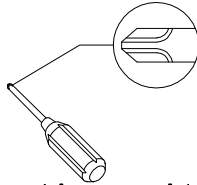
- I. Ensure that all parts and hardware are available before beginning assembly.
- II. Follow each step carefully to ensure the proper assembly of this product.
- III. Two people are recommended for ease in the assembly of this product.
- IV. The three main types of hardware used to assemble this product are: wood dowels, screws and bolts.
- V. The provided glue is to secure wood dowels in place. When first inserting dowels, locate the appropriate hole for the dowel, place a small amount of glue in the hole and insert the dowel. Wipe away excess glue immediately.



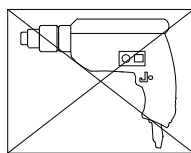
In future assembly steps when dowels are necessary to attach assembly parts together, place a small amount of glue on the end of the dowel before attaching parts together. Wipe away excess glue immediately.



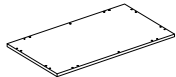
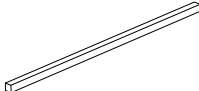

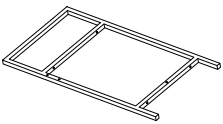
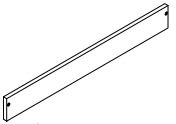

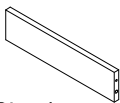

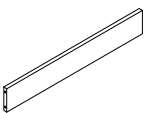
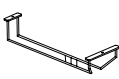
- VI. A Phillips head screwdriver is required for the assembly of this product.










- VII. Power tools should not be used to assemble this product.

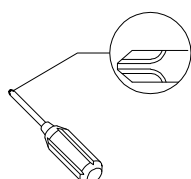


COMPONENT PARTS

DESCRIPTION	PART NAME	QTY(PCS)	DESCRIPTION	PART NAME	QTY(PCS)
①	 Bottom Panel(Top)	1	⑥	 Metal tube	1
②	 Bottom Panel(Bottom)	1	⑦	 Metal tube	2
③	 Side Panel(Long)	4	⑧	 Wheel	2
④	 Side Panel(Short)	4	⑨	 Wheel w/Stop	2
⑤	 Support Panel	1	⑩	 Wine glass rack	2

Hardware List

A		Ø8x30mm	Wooden dowel	28 pcs
B		Ø1/4"x30mm	Bolt	10 pcs
C		Ø6x50mm	Bolt	28 pcs
D		4mm	Allen Key	1 pcs
E		M4*12mm	Bolt	4 pcs
F			Wrench	1 pcs
G			Glue tube	1 pcs

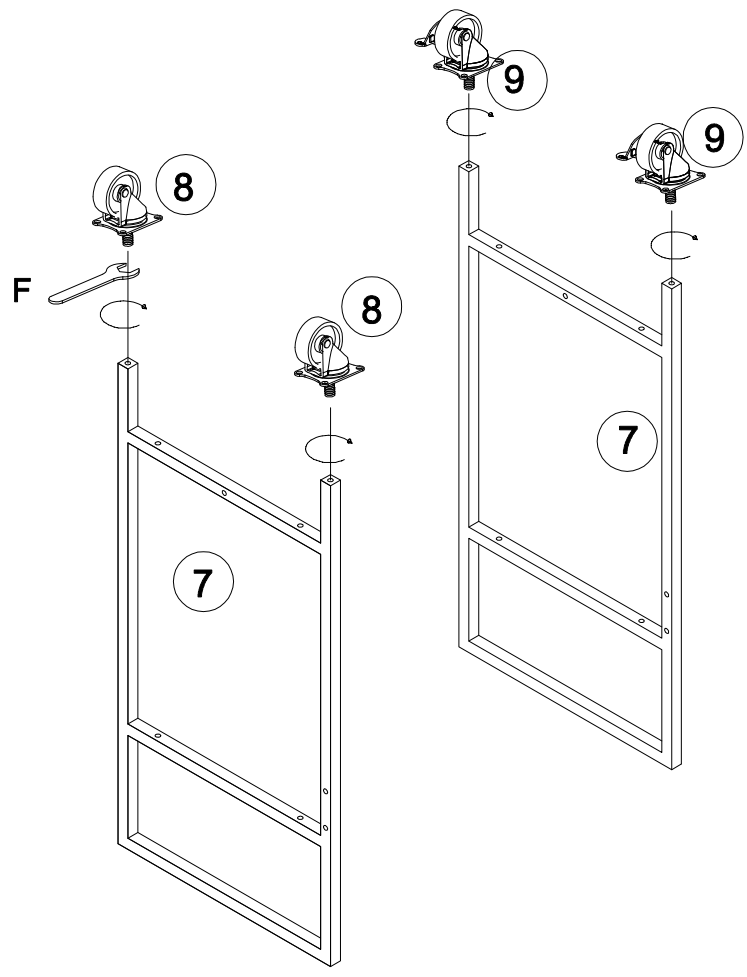



Philips head screwdriver required for assembly
(not included)




*The hardware quantities listed above are required for proper assembly.
Some extra hardware may also have been included.*

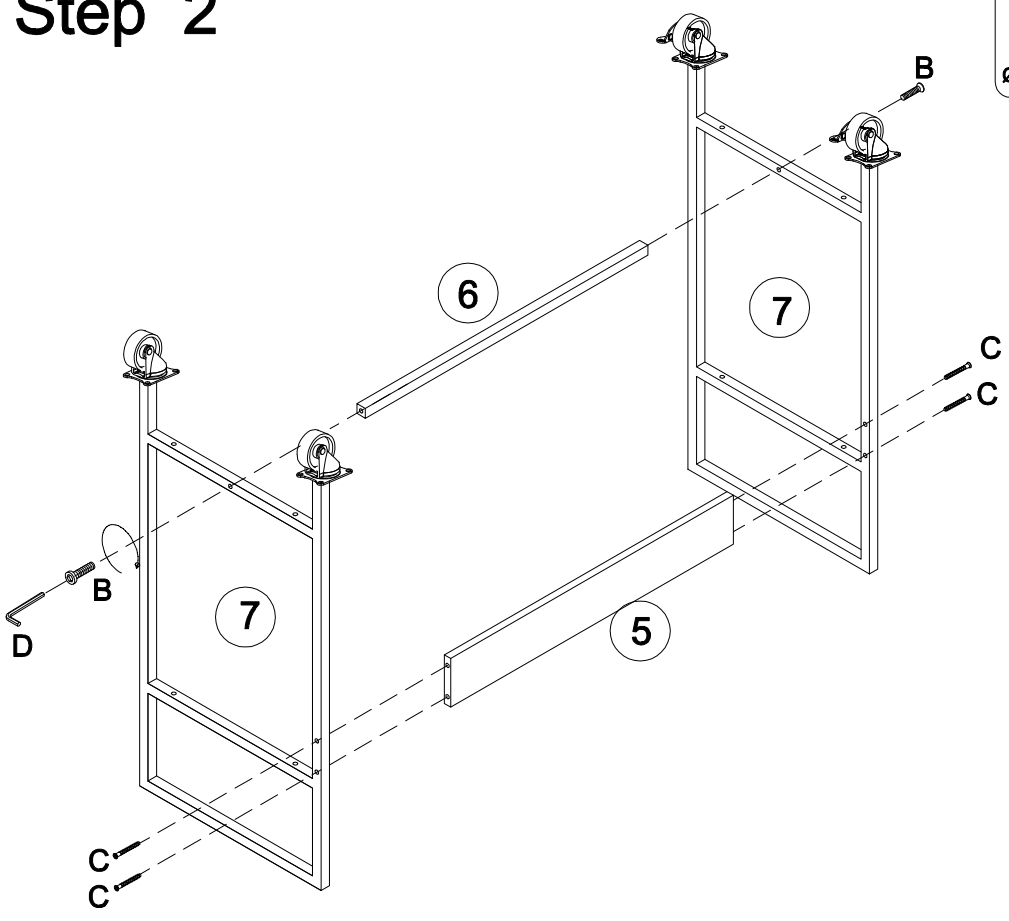
Step 1

F x 1






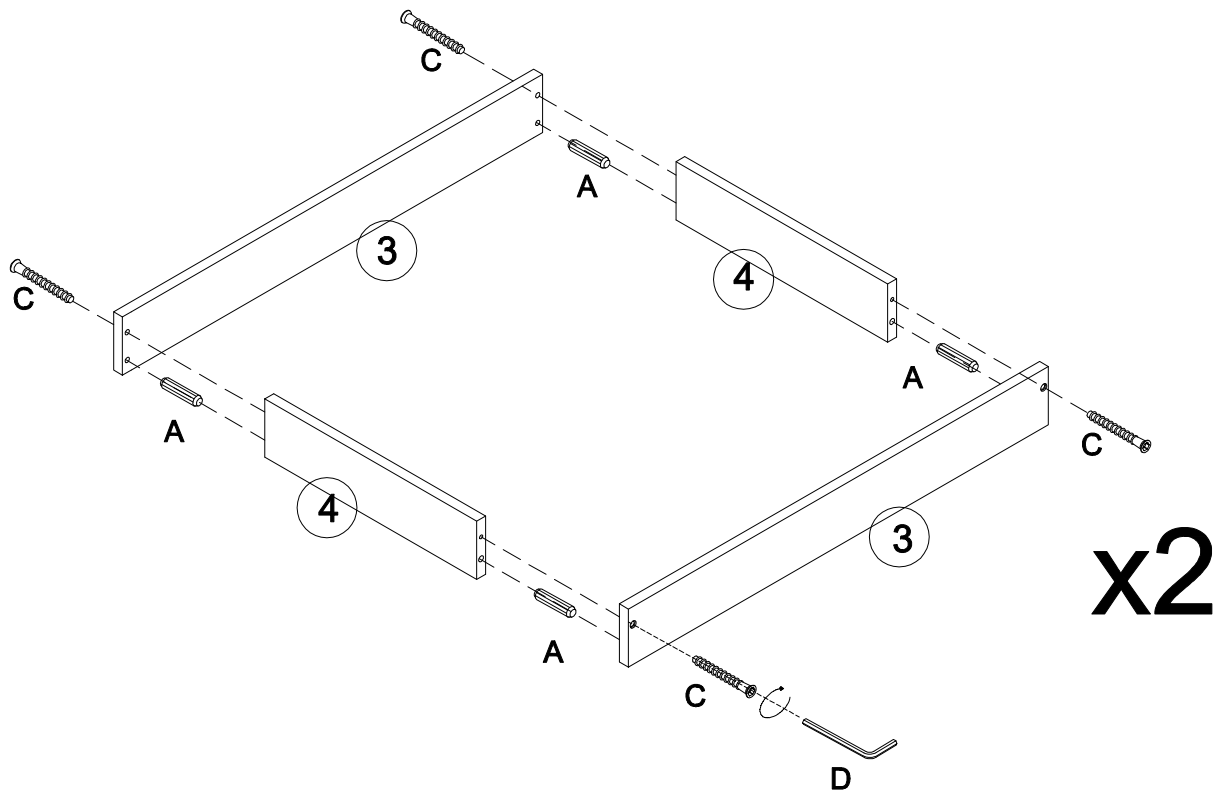
Step 2

B x 2	C x 4	D x 1
 Ø1/4"x30mm	 Ø6x50mm	 4mm






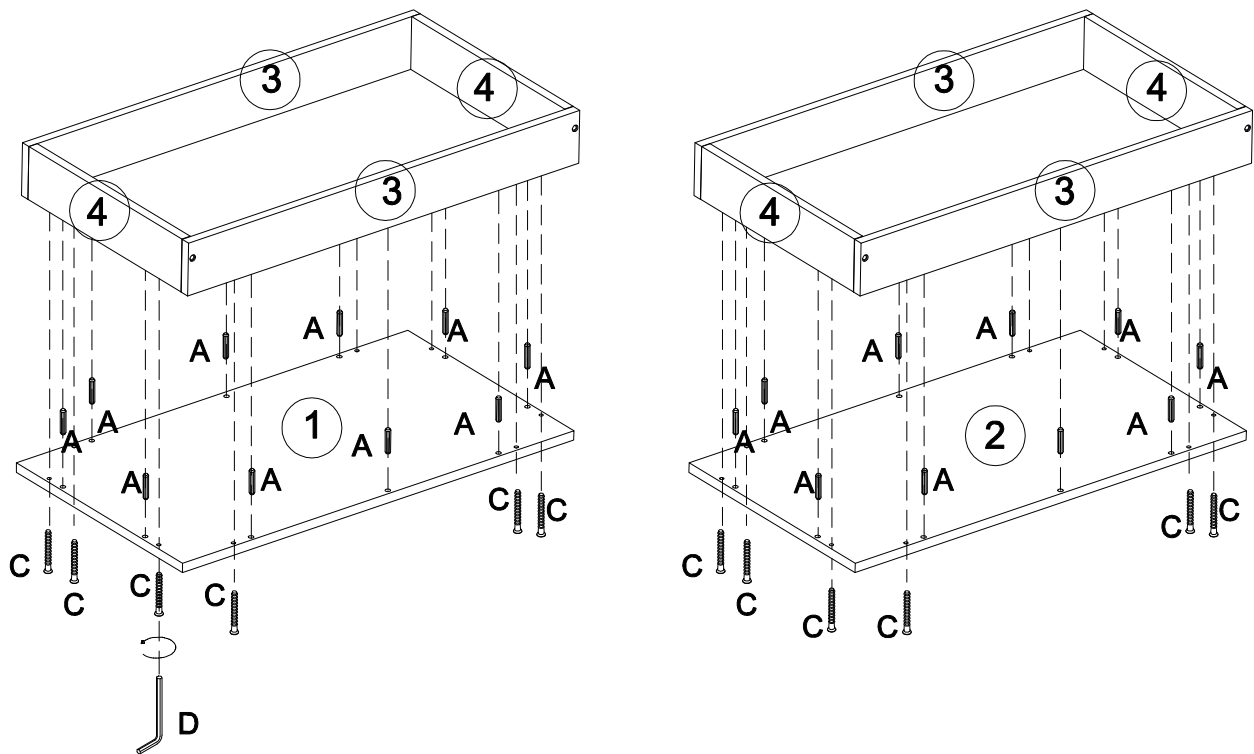
Step 3

A x 8	C x 8	D x 1
		
Ø8x30mm	Ø6x50mm	M4mm



Step 4

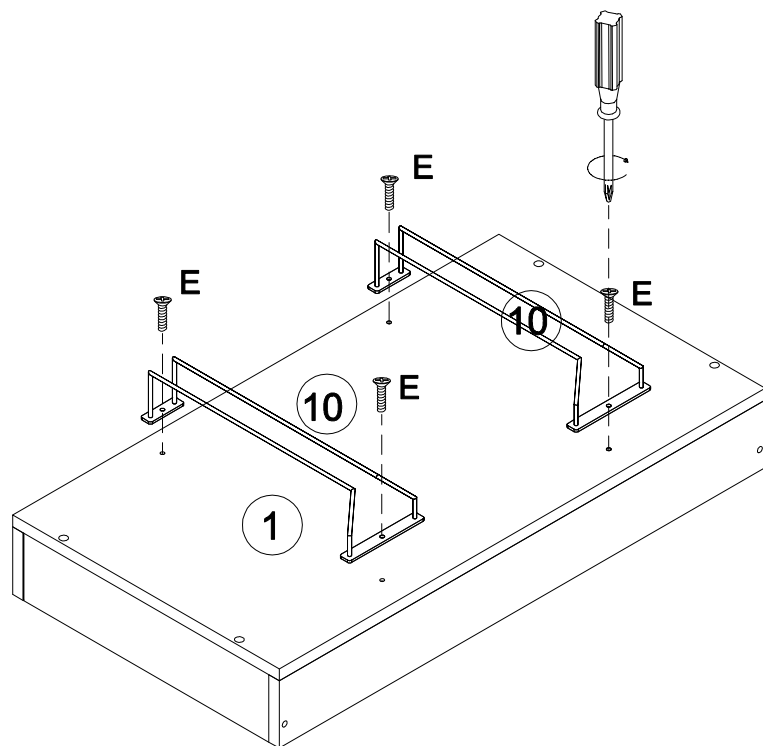
A x 20	C x 16	D x 1
		
Ø8x30mm	Ø6x50mm	M4mm



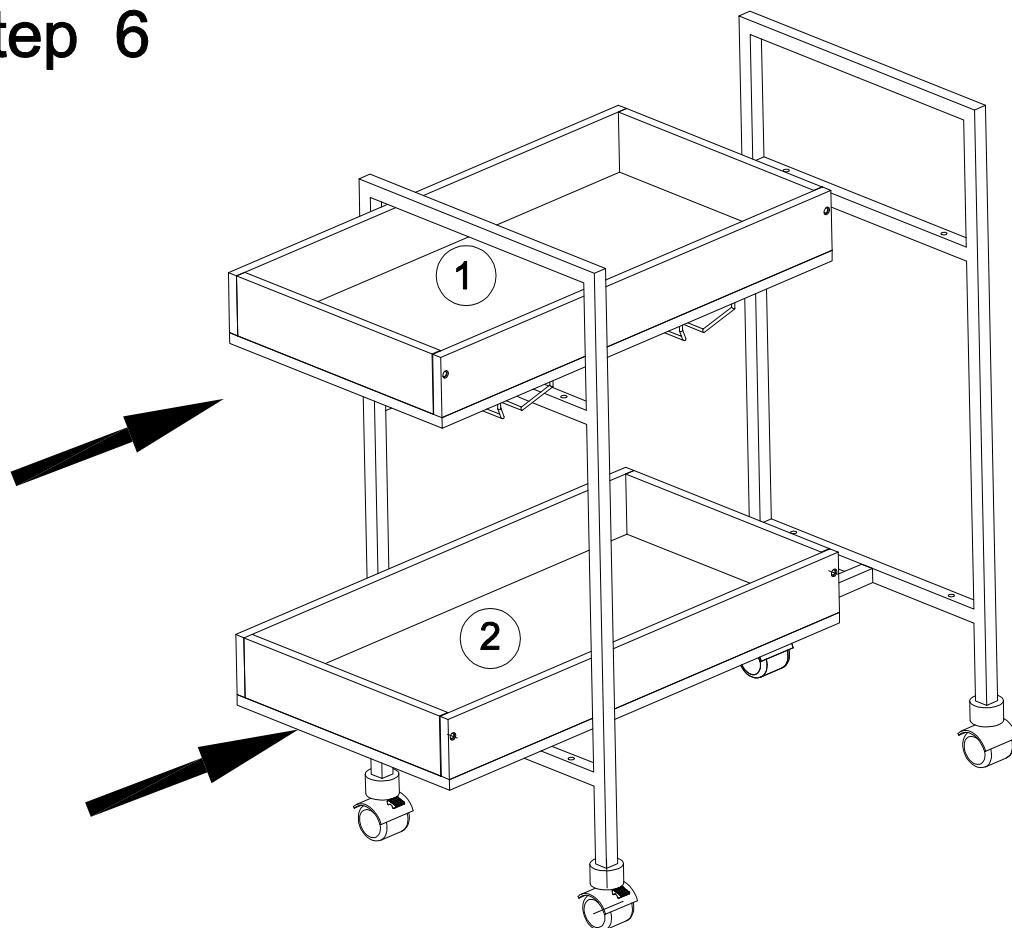
Step 5

E x 4



M4x12mm

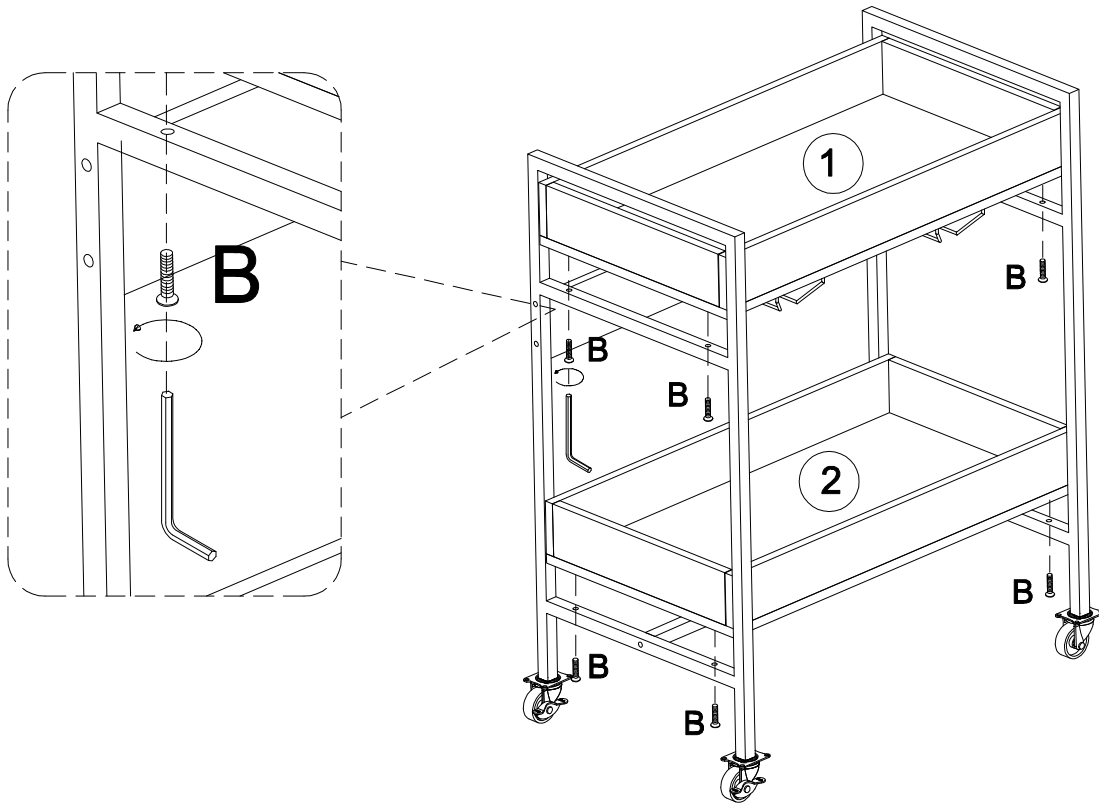


Step 6



Step 7

B x 8	C x 1
 Ø1/4"x30mm	 4mm



Step 8

