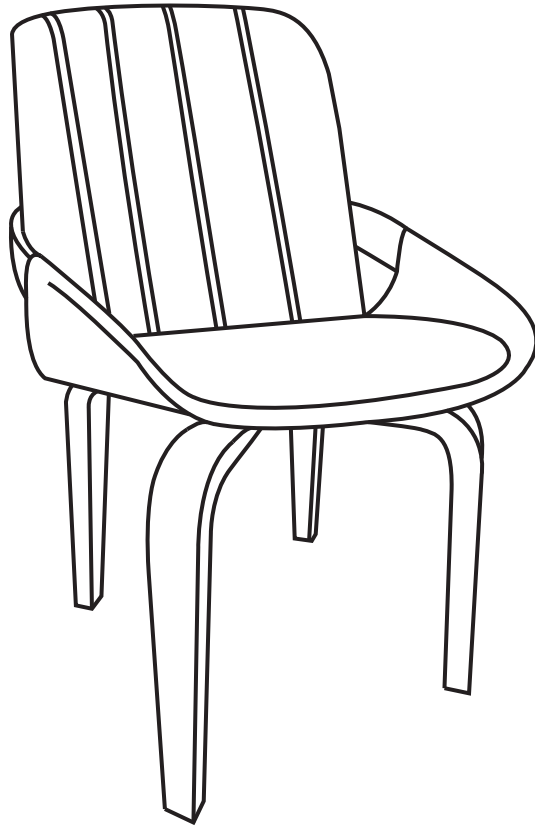
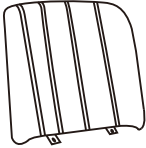
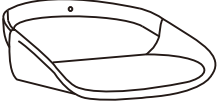
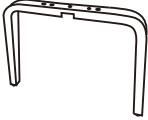

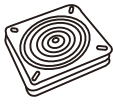
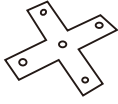



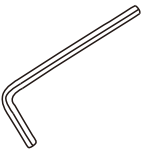


Accent Dining Chair

INSTALLATION MANUAL

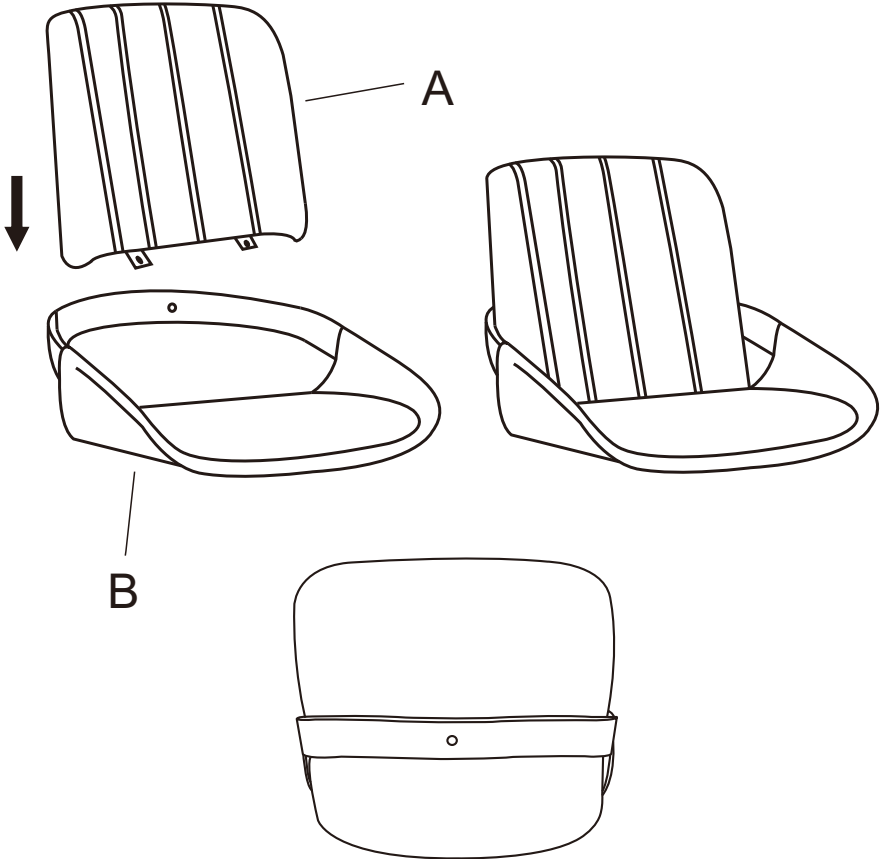


PACKING LIST

<p>A×1</p>  <p>Chair Back</p>	<p>B×1</p>  <p>Chair Seat</p>	<p>C×1</p>  <p>Chair Leg</p>
<p>D×1</p>  <p>Chair Leg</p>	<p>E×1</p>  <p>Swivel Mechanism</p>	<p>F×1</p>  <p>Metal Fixture</p>
<p>G×2 1 spare</p>  <p>M6×35MM Screws (G)</p>	<p>H×10 1 spare</p>  <p>M6×25MM Screws (H)</p>	<p>I×7 1 spare</p>  <p>M6×20MM Screws (I)</p>
<p>Jx1</p>  <p>M5 Wrench (J)</p>		

①

Insert the Chair Back (A) into the Chair Seat (B) and align the 3 holes on (A) with the 3 holes on (B).

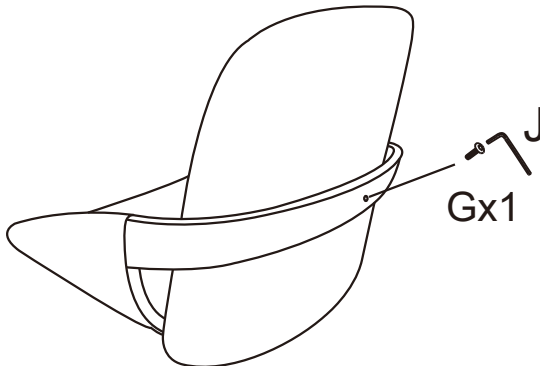
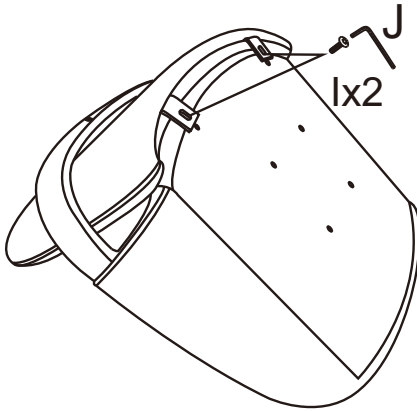


②

Secure the 2 holes at the bottom of Chair Back (A) with 2 Screws (I) by using Wrench (J).

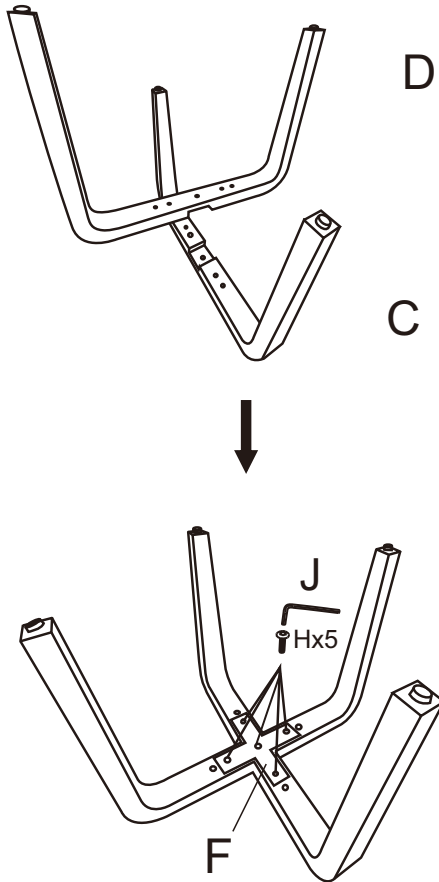
Then secure the 1 hole on the back of Chair Back (A) with 1 Screw (G) by using Wrench (J).

Note: Do not fully tighten all 3 screws until they are properly aligned and secured!



③

Connect the 2 Chair Legs (C&D) as shown below.
Secure the Metal Fixture (F) with the leg component with
5 Screws (H). Make sure all screws are properly aligned
and tightened to about 50% by using Wrench (J).
Note: Do not fully tighten all 5 screws here until Step 4!



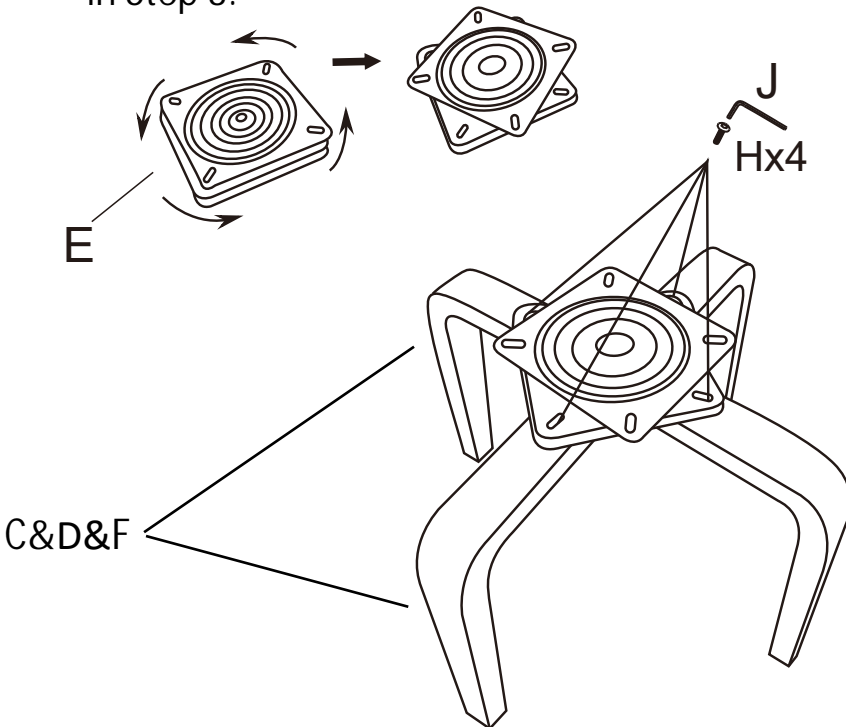
④

Check the Swivel Mechanism (E) can rotate 360° and manually rotate it as shown below.

Note: The Swivel Mechanism (E) does not need to distinguish between the front and back.

Connect the Swivel Mechanism (E) to the component (C&D&F) with 4 Screws (H) by using Wrench (J).

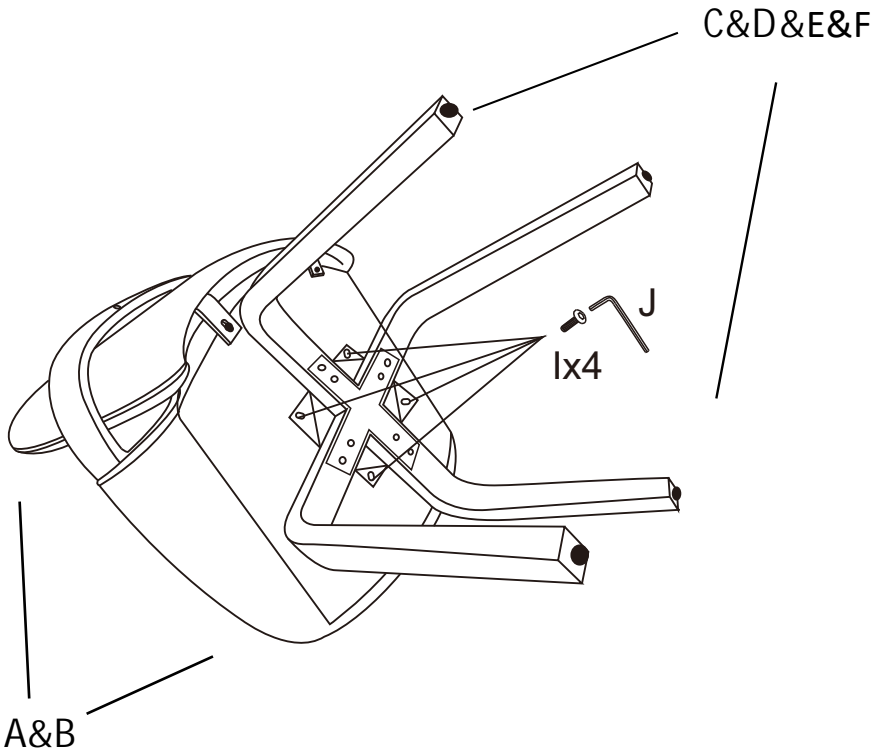
Now 100% fully tighten the 4 screws here and 5 screws in Step 3.



5

Connect the component (A&B) to the component (C&D &E&F) with 4 Screws (I).

Make sure all screws are properly aligned and 100% fully tightened by using Wrench (J).



⑥

Rotate the foot pads to adjust the chair level and stable.

Now the chair is all set for use!

