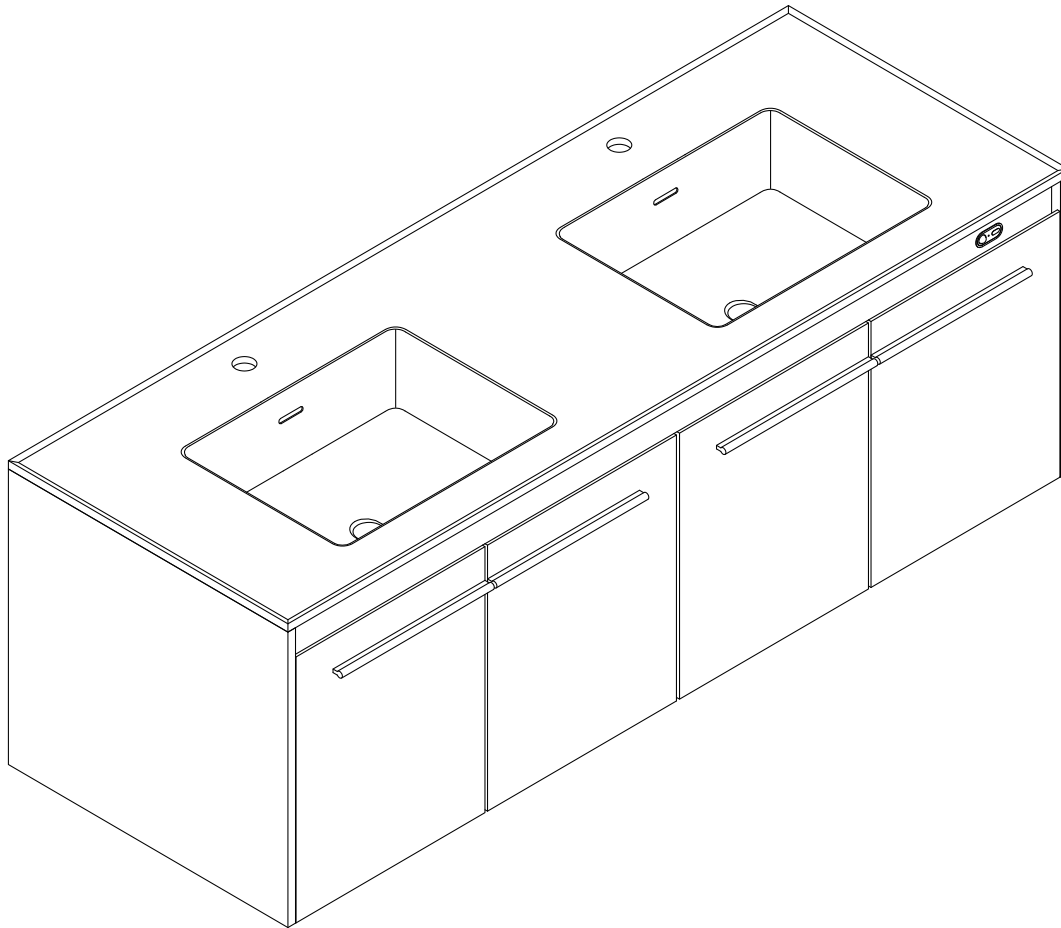


Cabinet

Assembly Instructions - Please keep for future reference



Dimensions

Width - 60.6 inch
Depth - 21.7 inch
Height - 19.7 inch

Important – Please read these instructions fully before starting assembly



Safety and Care Advice

Important – Please read these instructions fully before starting assembly

- Check you have all the components and tools listed on the following pages.
- Remove all fittings from the plastic bags and separate them into their groups.
- Keep children and animals away from the work area, small parts could choke if swallowed.
- Make sure you have enough space to layout the parts before starting.

- During assembly do not stand or put weight on the product, this could cause damage.
- Assemble the item as close to its final position (in the same room) as possible.
- Assemble on a soft level surface to avoid damaging the unit or your floor.
- Parts of the assembly will be easier with 2 people.



- To reduce the likelihood of damaging your product please ensure that your power drill is set on a low torque setting.

Care and maintenance

- Only clean using a damp cloth and mild detergent, do not use bleach or abrasive cleaners.

- From time to time check that there are no loose screws on this unit.

- This product should not be discarded with household waste. Take to your local authority waste disposal centre.

Handy Hints

- Assemble all parts and bolts loosely during assembly, only once the product is complete should you fully tighten the bolts

Regularly check and ensure that all bolts and fittings are tightened properly.

WARNING

In order to help prevent overturning – please follow these instructions

To help prevent product toppling over please follow the below steps:-


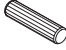




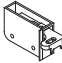
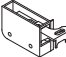


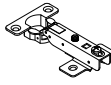
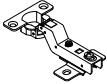
- Use the anti tip strap or wall fixing method provided (if applicable)
- Do not allow children to climb or hang on the furniture
- Do not open more than one drawer at a time
- Do not place heavy items in the top drawers
- Do not place heavy items on top of the furniture, unless the furniture has been designed for this purpose

Please note that only the anti tip strap is provided.
You will need to provide wall plugs and screws applicable for your wall type

Components - Fittings

Please check you have all the fittings listed below

Note: The quantities below are the correct amount to complete the assembly. In some cases more fittings may be supplied than are required.

A  7*43mm Cam Bolt x 20	B  Cam Lock x 20	C  8*30mm Wooden Dowel x 9
D  3.5*14mm Screw x 36	E  5*40mm Screw x 5	F  4*30mm Screw x 6
G  Metal Cleat x 3	H  Wall attach bracket x 2	I  Wall attach bracket x 1
J  Wall Fixing Pack x 8	K  Handle x 4	L  Hinge x 4
M  Hinge x 4		

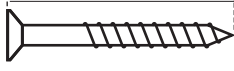
Tools required



Phillips screwdriver
(medium & large)

Ruler - Use this ruler to help correctly identify the screws

0 5 10 15 20 25 30 35 40 45 50 55 60 65 70 75 80 85 90 95 100 105 110 115 120 125 130 135 140 145 150 155 160 165 170

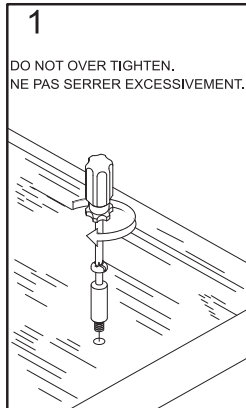


The screws length is measured from the head to the point (30mm screw shown).

Using Camlocks

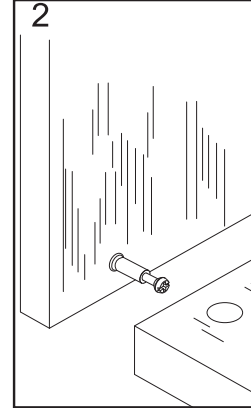
Step 1

Connect the male camlock as directed in the assembly instructions using a screwdriver.



Step 2

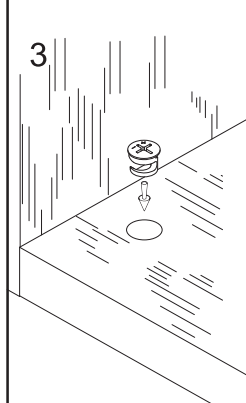
Push the male camlock into the entry hole.



Step 3

Insert the female camlock as shown in the instructions.

Note: ensure that the arrow on the top of the camlock points towards the entry hole for the male camlock.

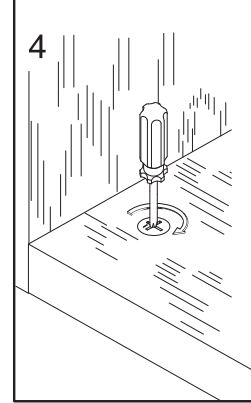


Step 4

Turn the female camlock clockwise with a screwdriver.

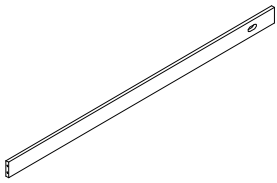
You should feel a click when the camlock is locked in place.

The joint is now secure.

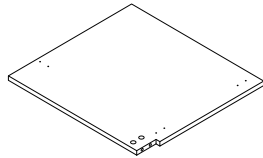


Components - Panels

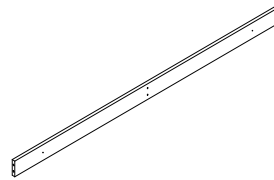
Please check you have all the panels listed below



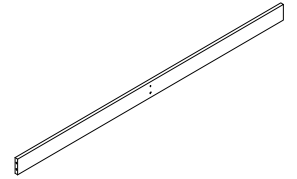
1 (151 x 7.5 x 1.5cm) x1



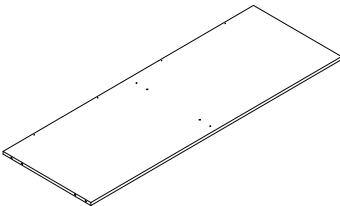
2 (52 x 48.4 x 1.5cm) x1



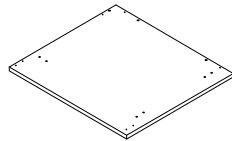
3 (151 x 7.5 x 1.5cm) x1



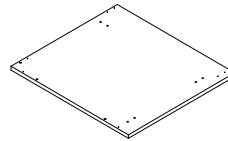
4 (151 x 7.5 x 1.5cm) x1



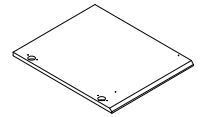
5 (151 x 53 x 1.5cm) x1



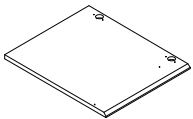
6 (55.2 x 50 x 1.5cm) x1



7 (55.2 x 50 x 1.5cm) x1

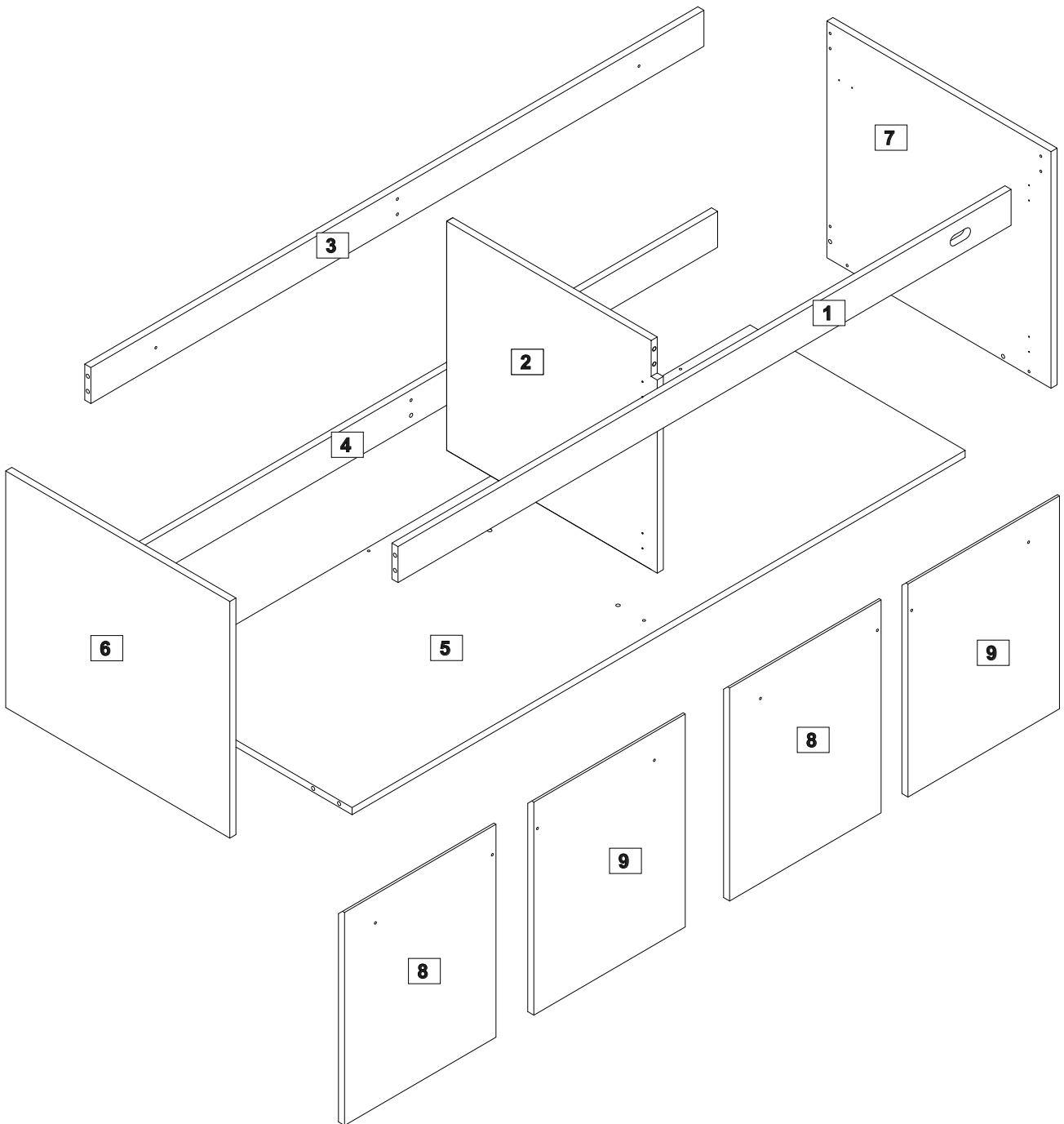


8 (37.3 x 45 x 1.5cm) x2



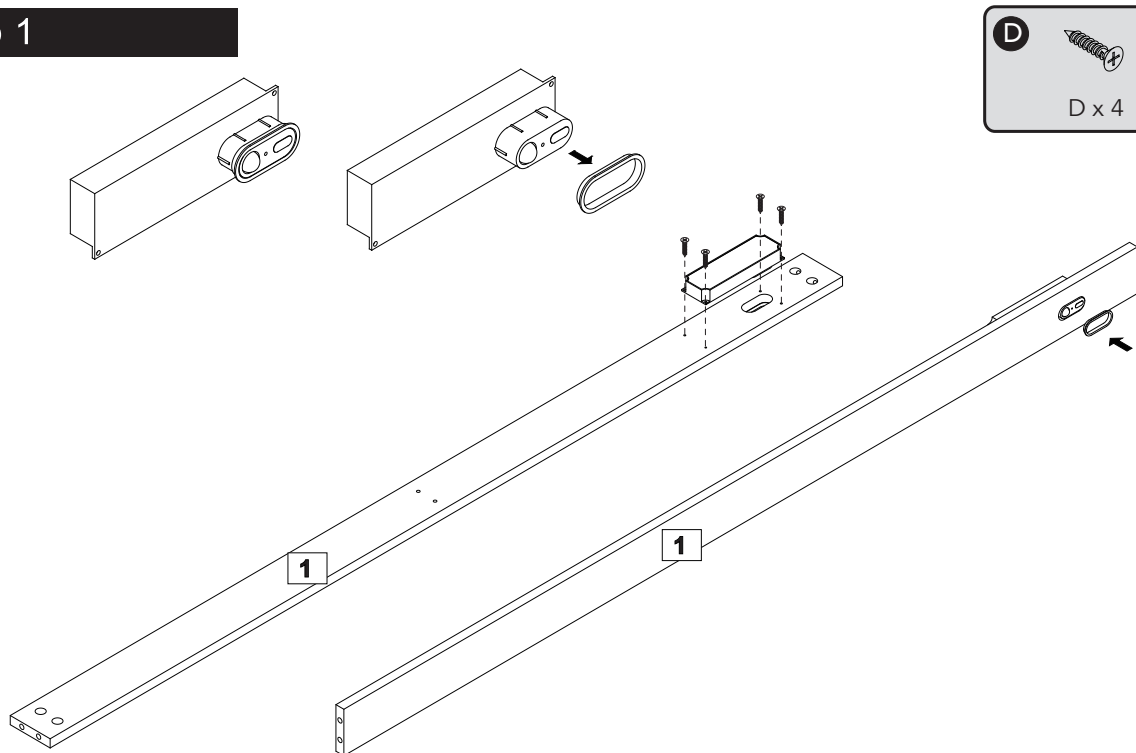
9 (37.3 x 45 x 1.5cm) x2

Assembly Instructions



Assembly Instructions

Step 1

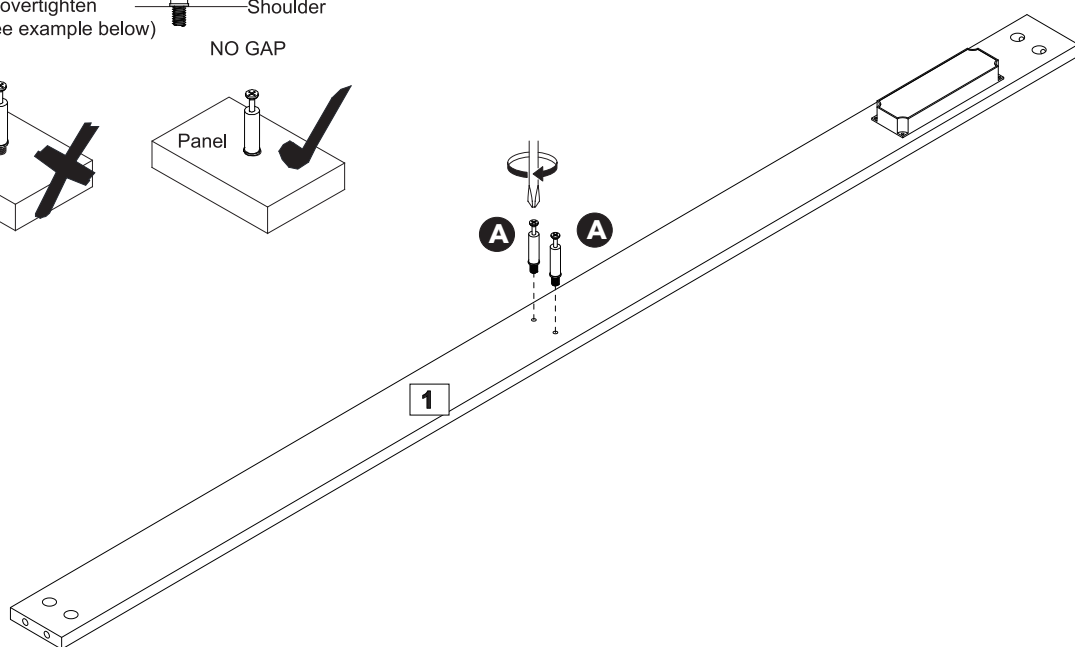
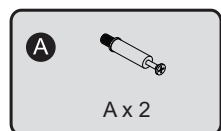
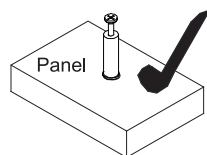
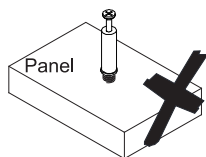
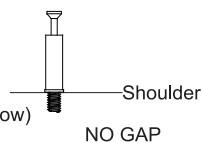


Remove the lid from the LED light strip power bank (you may find the LED light and power bank in the box of sink). Install the power bank on the panel (1) using screw (D), then close the lid from the other side of panel (1).

Step 2

CAM-LOCK

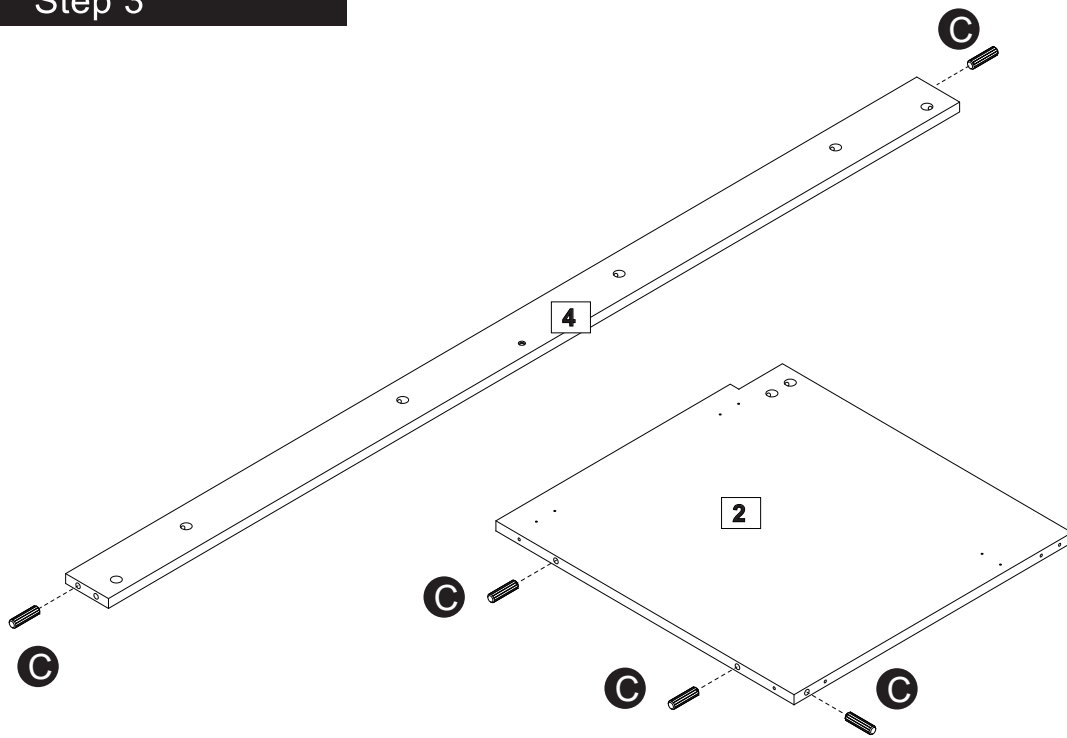
Tighten until shoulder is flush with panel. Do not overtighten or undertighten (see example below)



Attach cam bolt (A) to part (1) with a screwdriver.

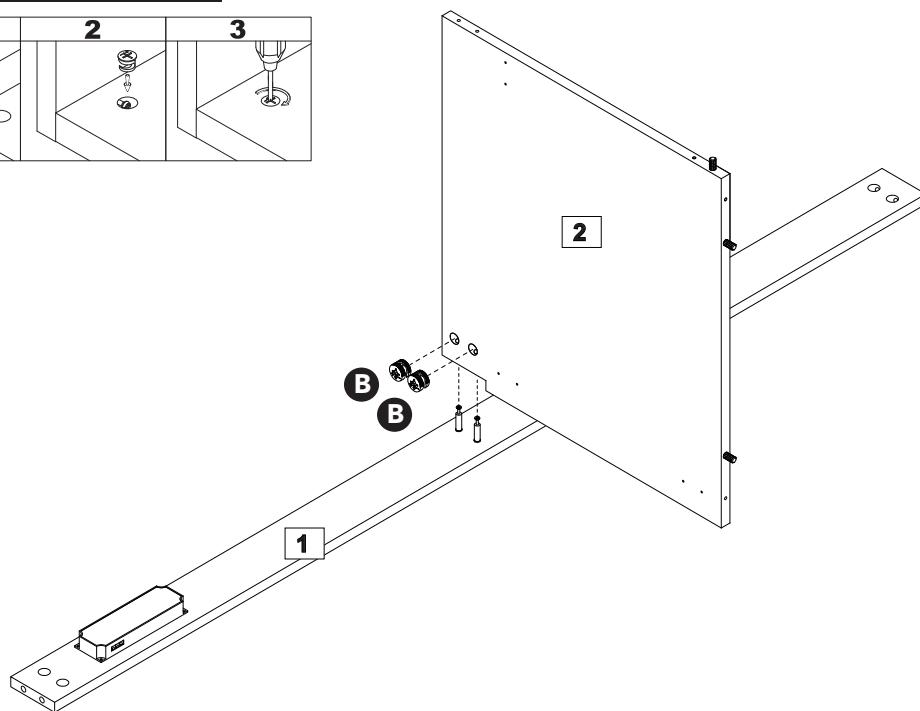
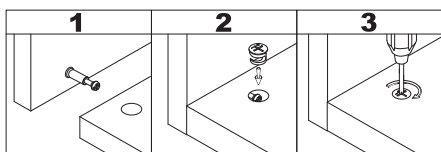
Assembly Instructions

Step 3



Insert wooden dowel (C) into part (2, 4).

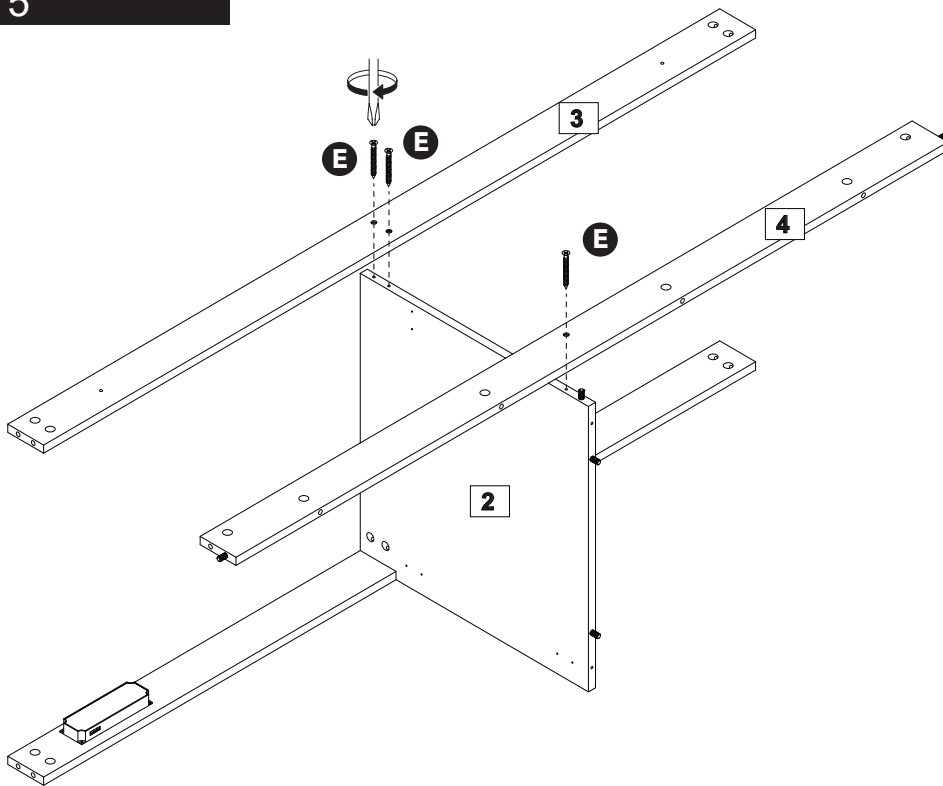
Step 4



Attach part (2) to part (1), then insert and secure cam lock (B) to part (2) to lock it.

Assembly Instructions

Step 5



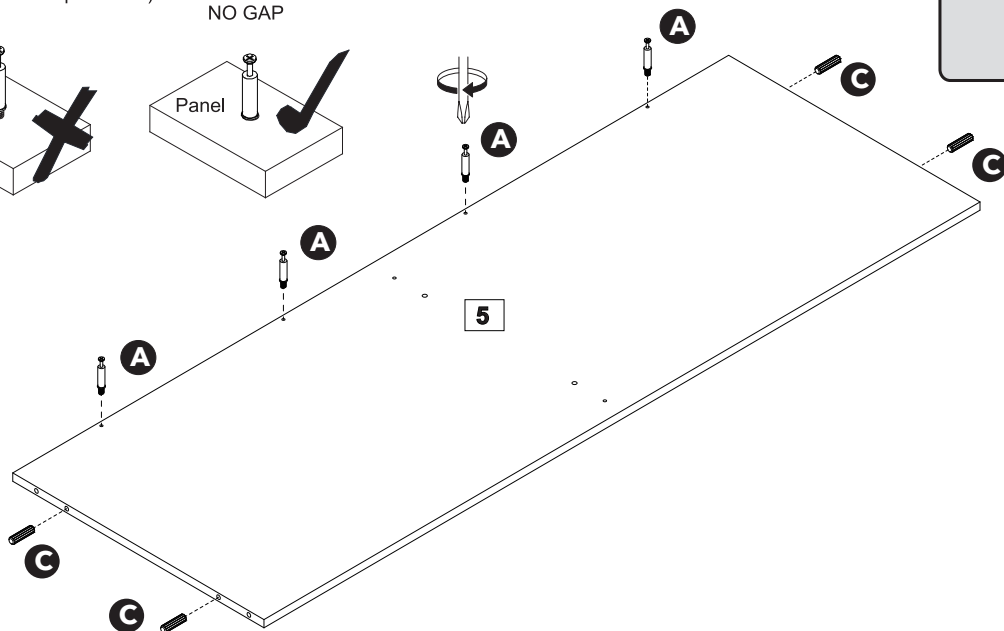
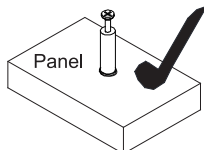
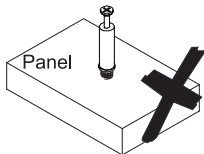
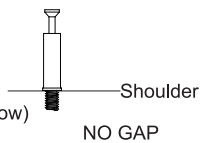
E x 3

Attach part (3, 4) to part (2) using screw (E) with a screwdriver.

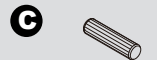
Step 6

CAM-LOCK

Tighten until shoulder is flush with panel. Do not overtighten or undertighten (see example below)



A x 4

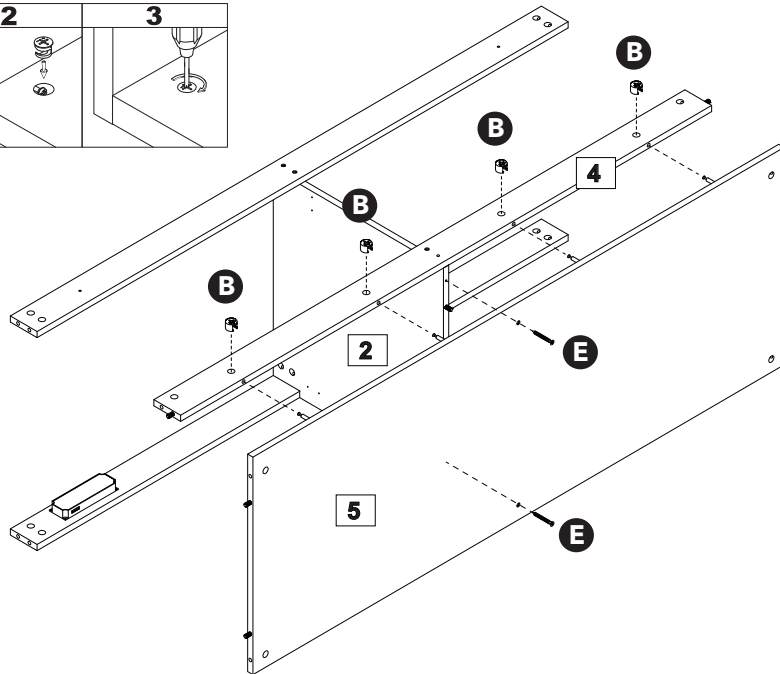
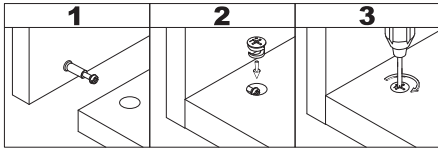


C x 4

Attach cam bolt (A) to part (5) with a screwdriver.
Insert wooden dowel (C) into part (5).

Assembly Instructions

Step 7



B x 4



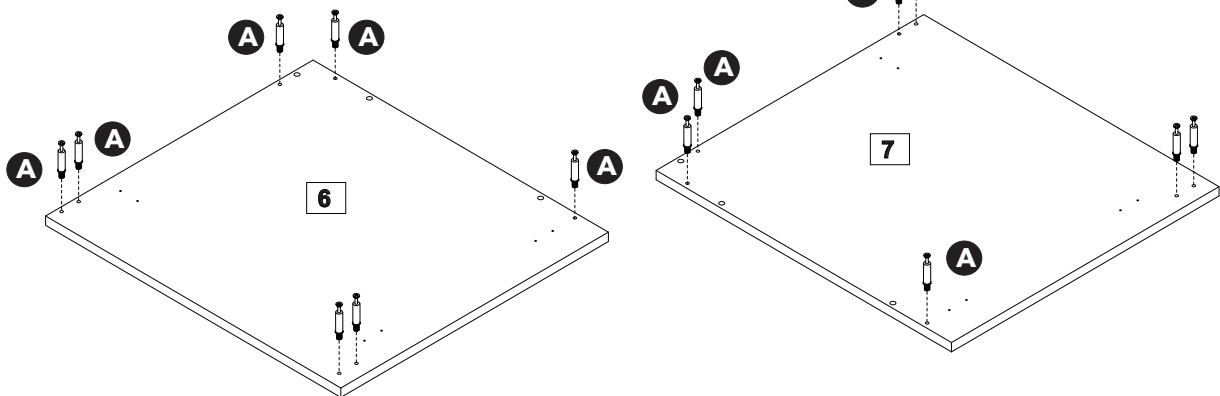
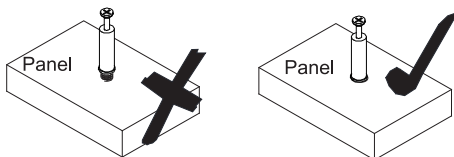
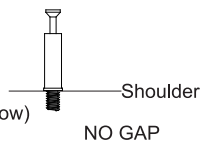
E x 2

Attach part (5) to part (2, 4) using screw (E) with a screwdriver, then insert and secure cam lock (B) to part (4) to lock it.

Step 8

CAM-LOCK

Tighten until shoulder is flush with panel. Do not overtighten or undertighten (see example below)

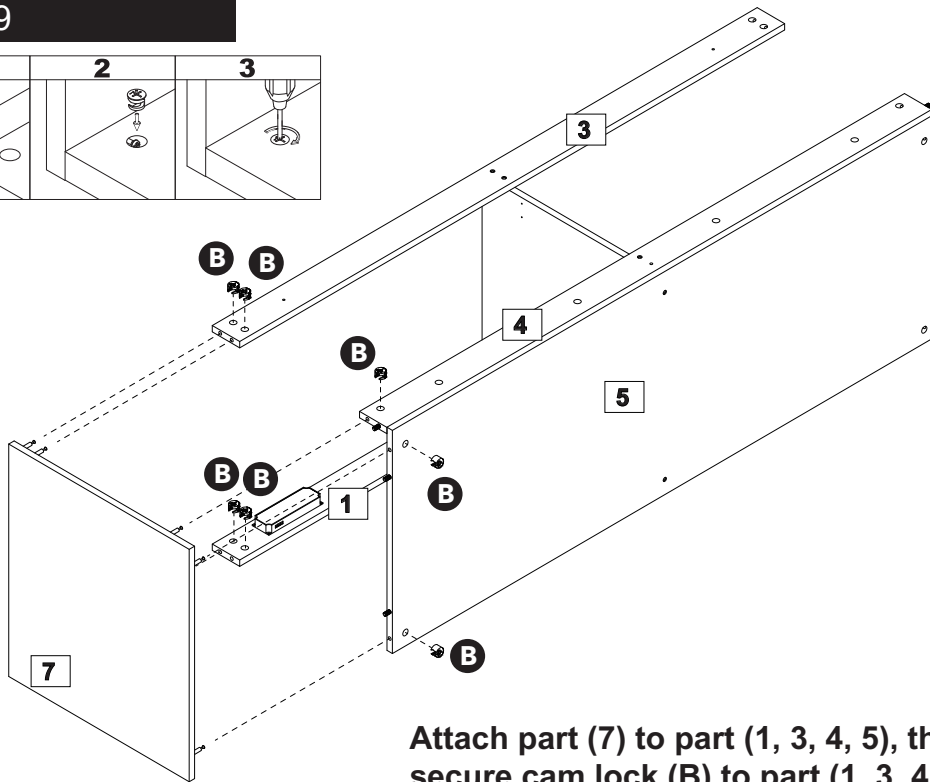
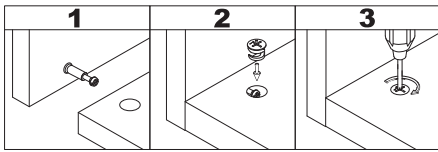


A x 14

Attach cam bolt (A) to part (6,7) with a screwdriver.

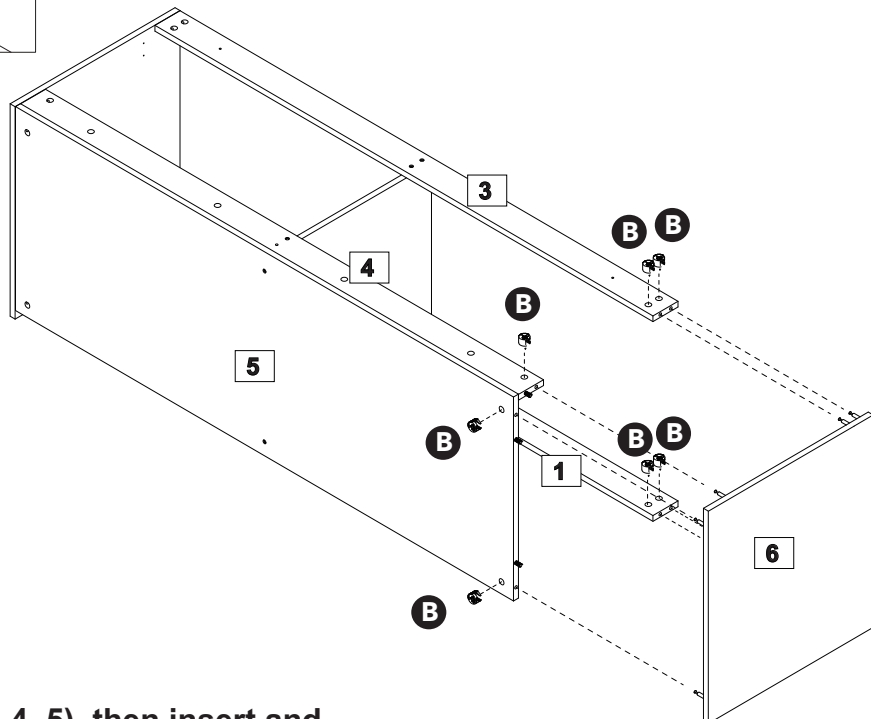
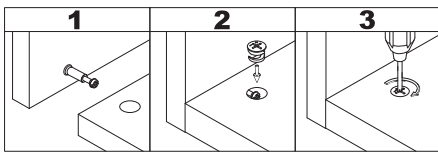
Assembly Instructions

Step 9



Attach part (7) to part (1, 3, 4, 5), then insert and secure cam lock (B) to part (1, 3, 4, 5) to lock it.

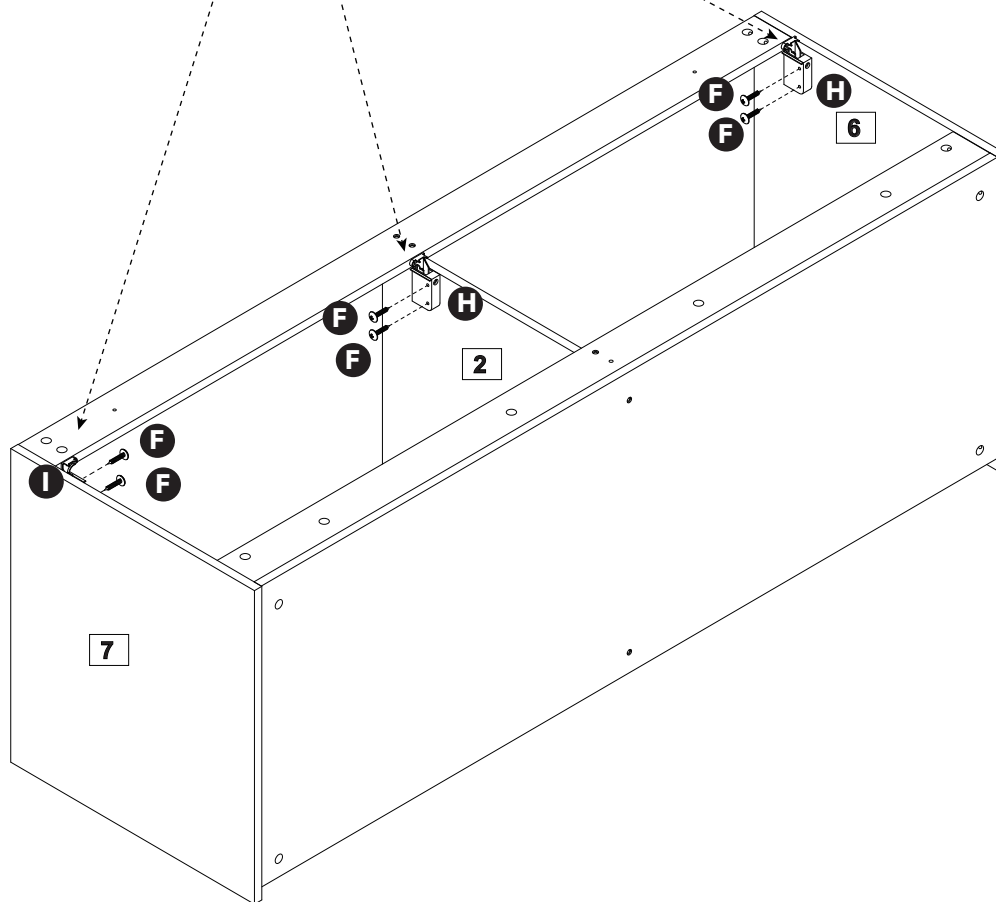
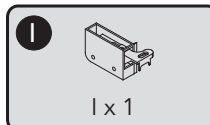
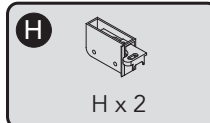
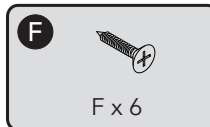
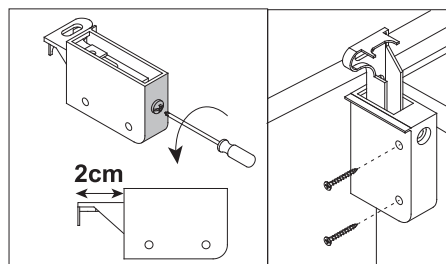
Step 10



Attach part (6) to part (1, 3, 4, 5), then insert and secure cam lock (B) to part (1, 3, 4, 5) to lock it.

Assembly Instructions

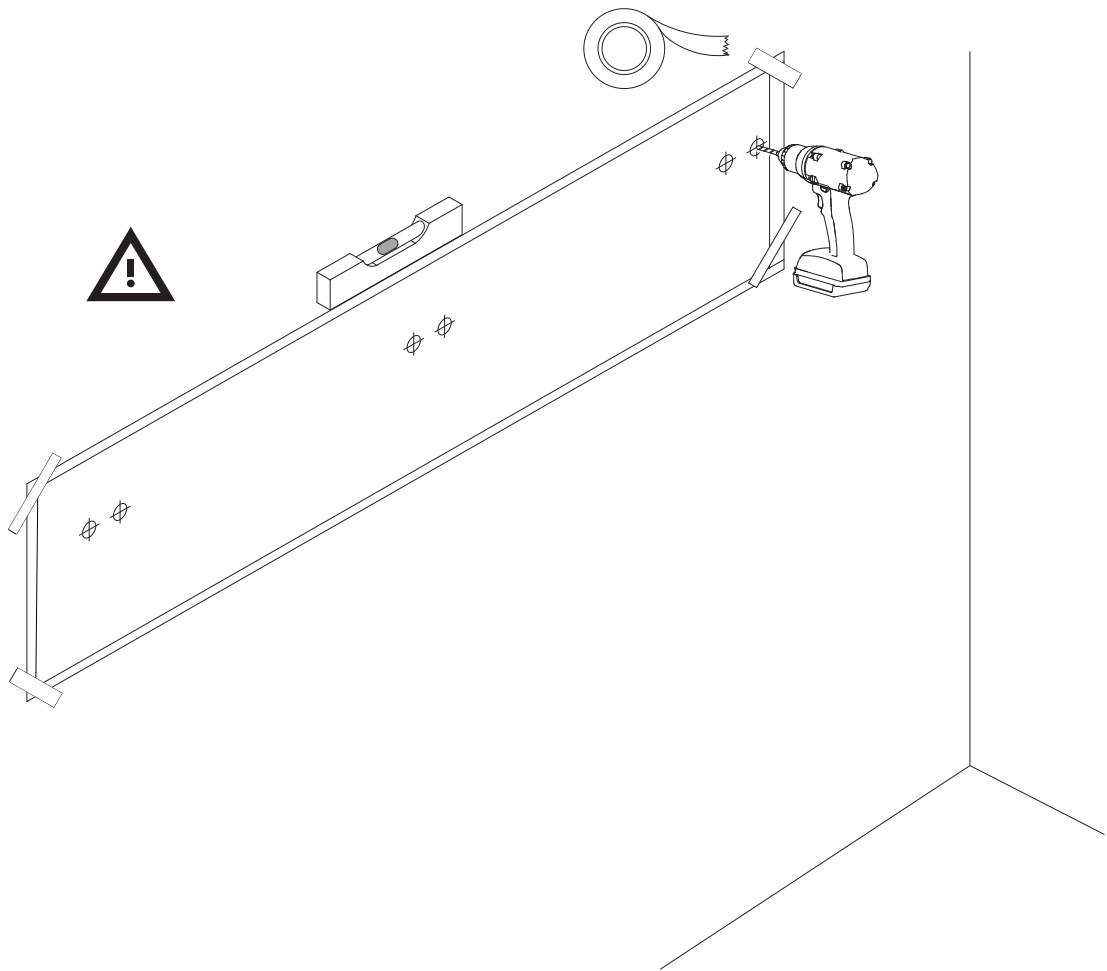
Step 11



Attach wall mounting bracket (H) to part (2, 6) using screw (F) with a screwdriver.
Attach wall mounting bracket (I) to part (7) using screw (F) with a screwdriver.

Assembly Instructions

Step 12



Tape the cardboard to the wall where the Vanity will be mounted

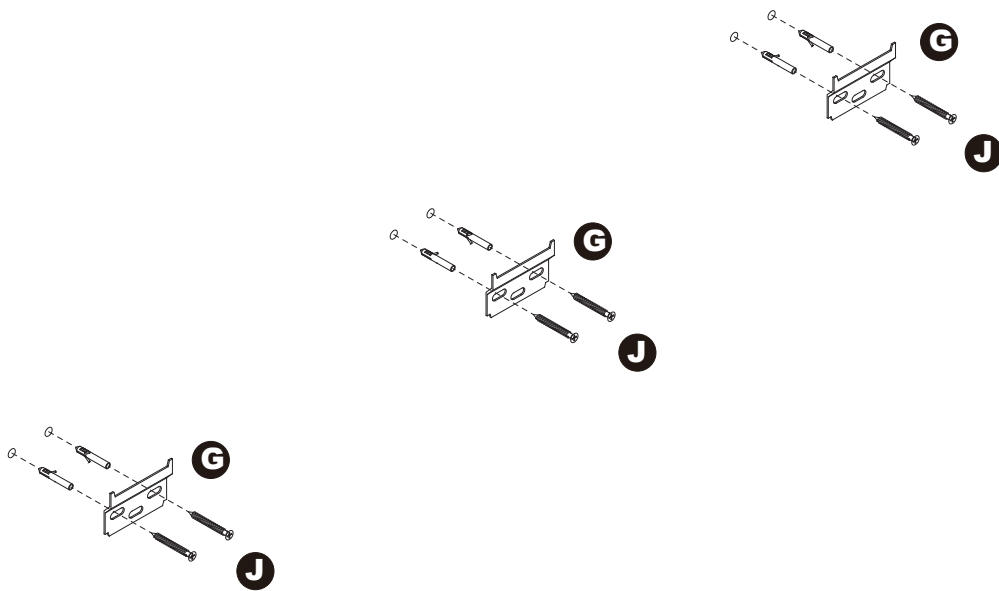
Drill the hole on the target mark on the cardboard.

Note1: Use a level to make sure the cardboard is level.

Note2: Always ensure the wall to be drilled is free from hidden electrical wires, water and gas pipes.

Assembly Instructions

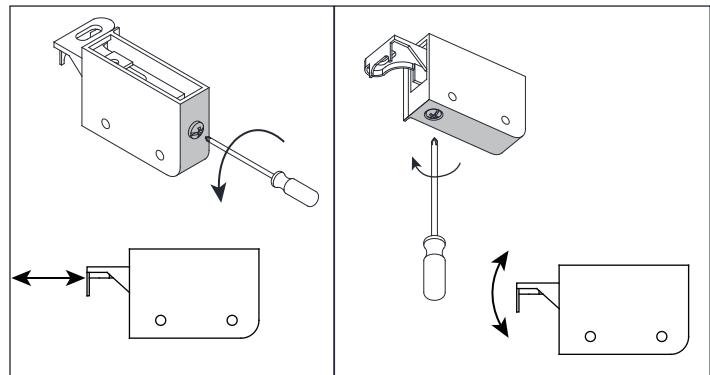
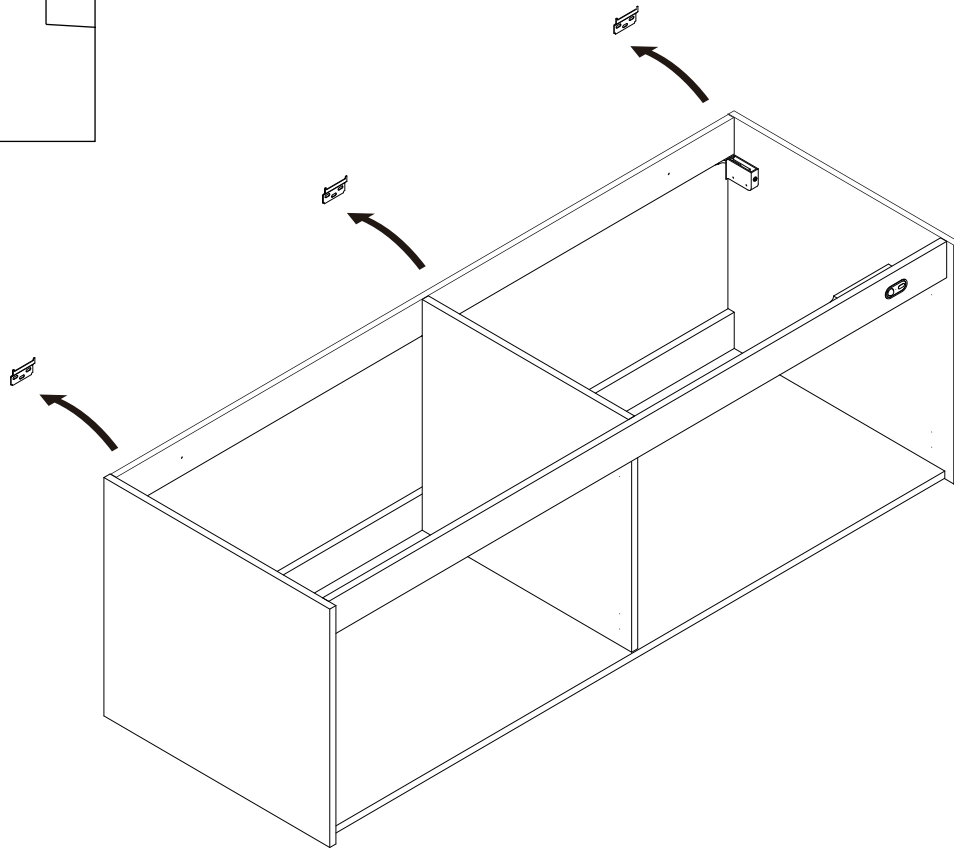
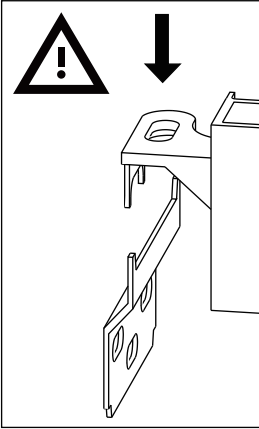
Step 13



Insert appropriate wall plugs into each hole, then install cleat (G) to the wall using screw (J).

Assembly Instructions

Step 14

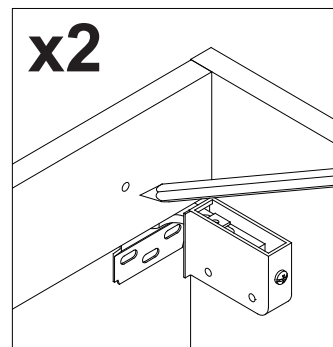
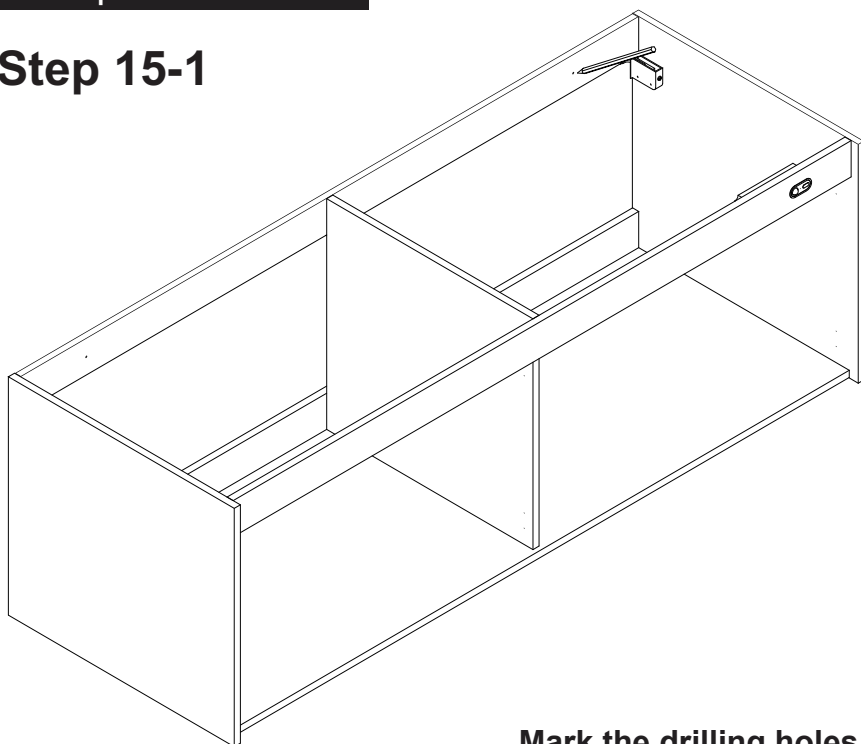


Make sure 3 brackets and cleats are securely interlocked.

Assembly Instructions

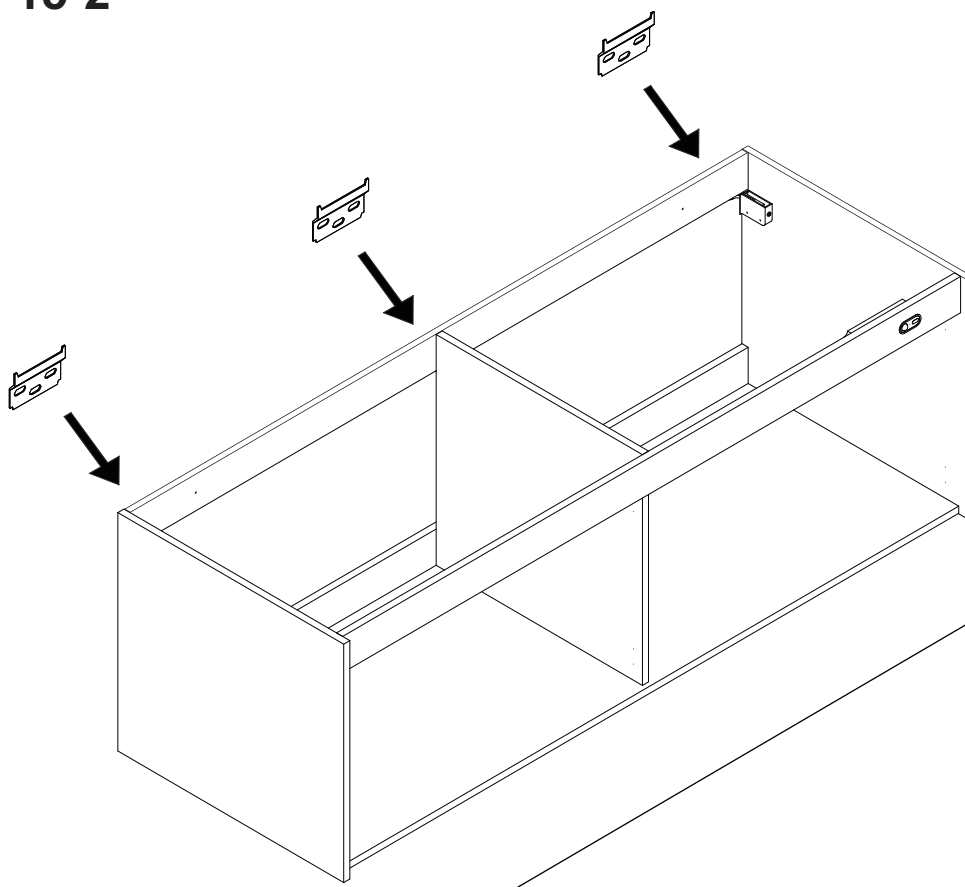
Step 15

Step 15-1



Mark the drilling holes.

Step 15-2

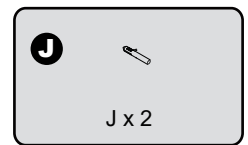
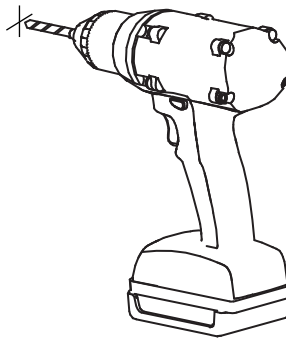


Drop the bathroom vanity down from wall preparing for drilling holes.

Assembly Instructions

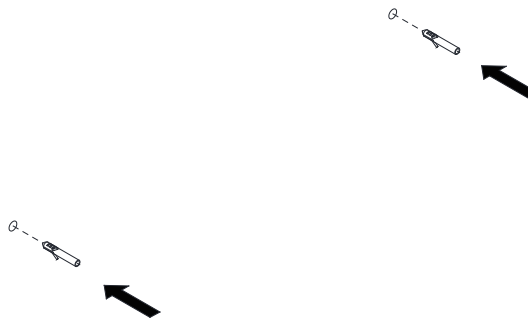
Step 16

Step 16-1



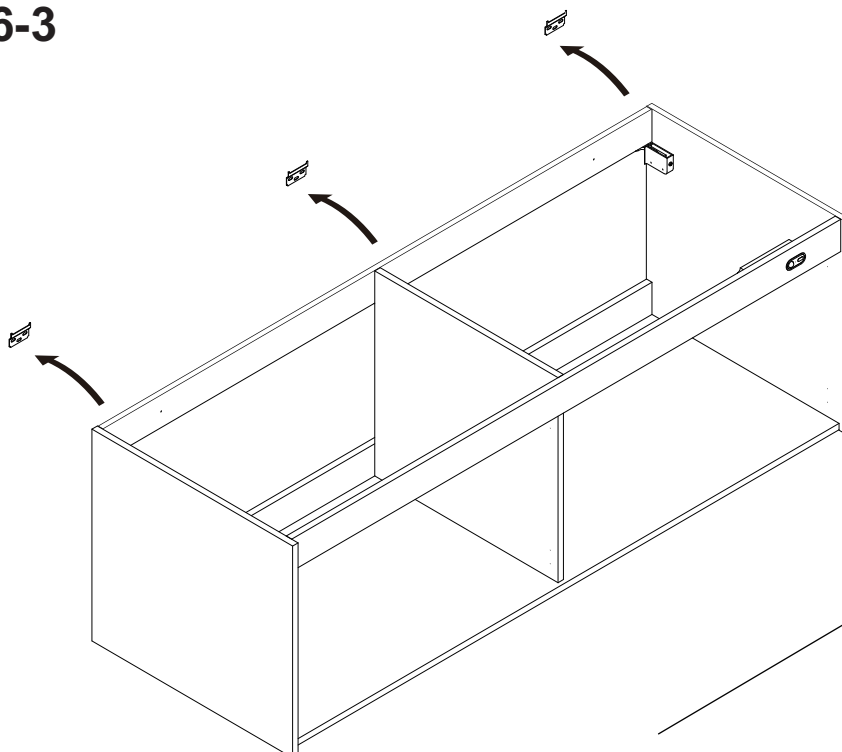
Drilling holes marked on 15-1

Step 16-2



Insert 2 wall plugs.

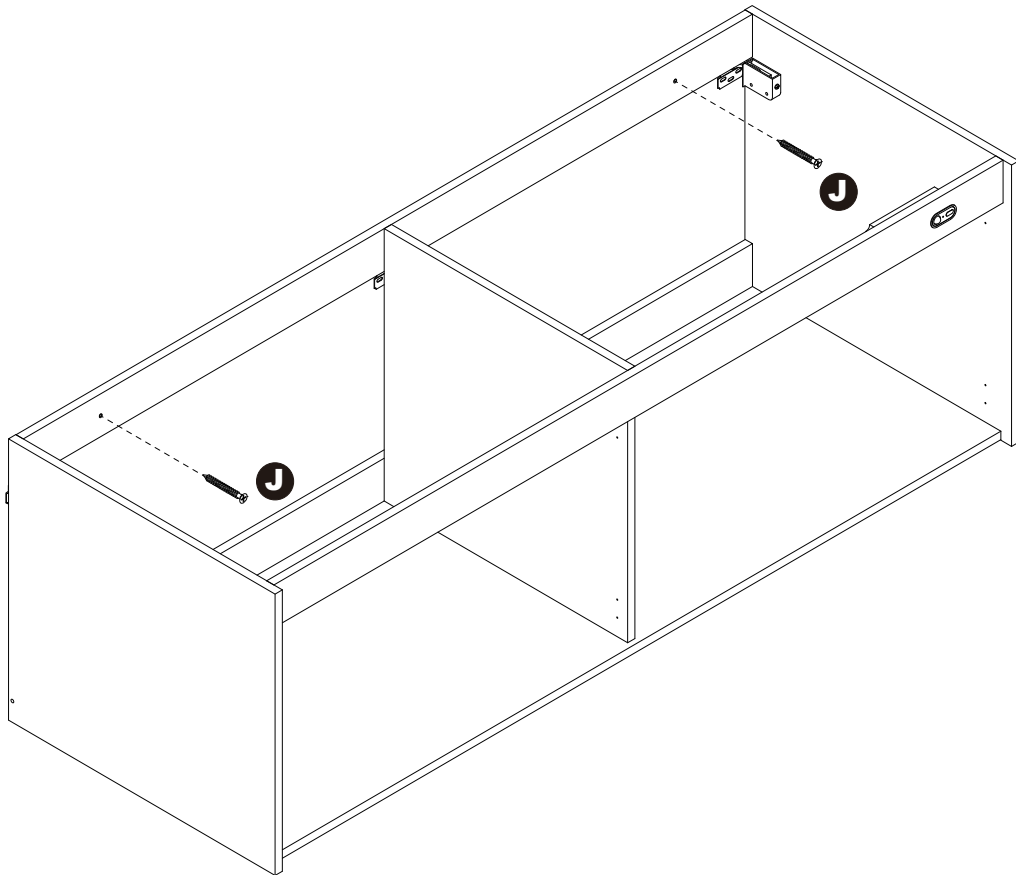
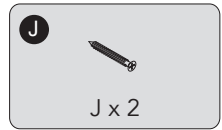
Step 16-3



Lift the bathroom vanity back on the wall.
Please make sure all 3 brackets and cleats are securely interlocked.

Assembly Instructions

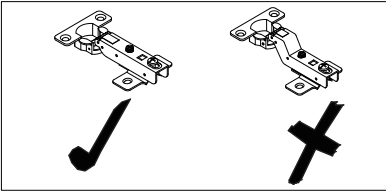
Step 17



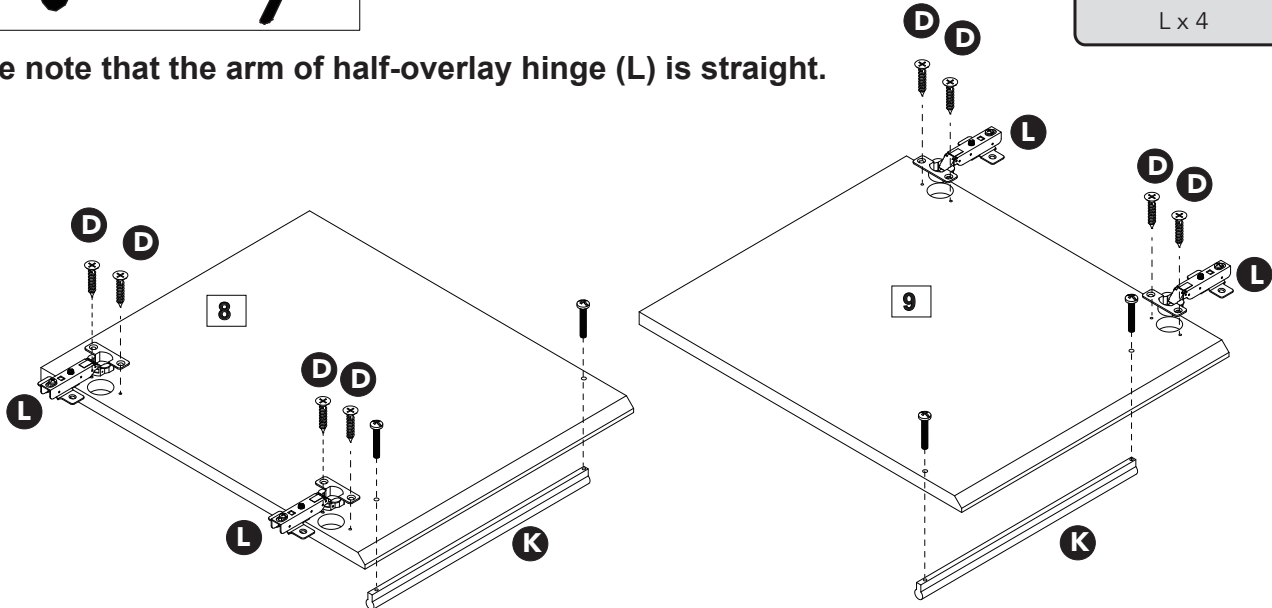
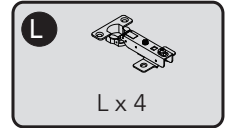
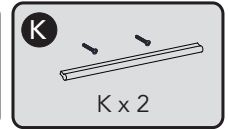
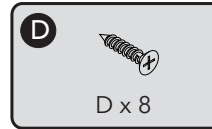
Secure the vanity to the wall using screw (J)

Assembly Instructions

Step 18

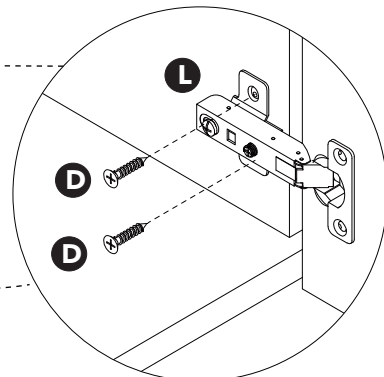
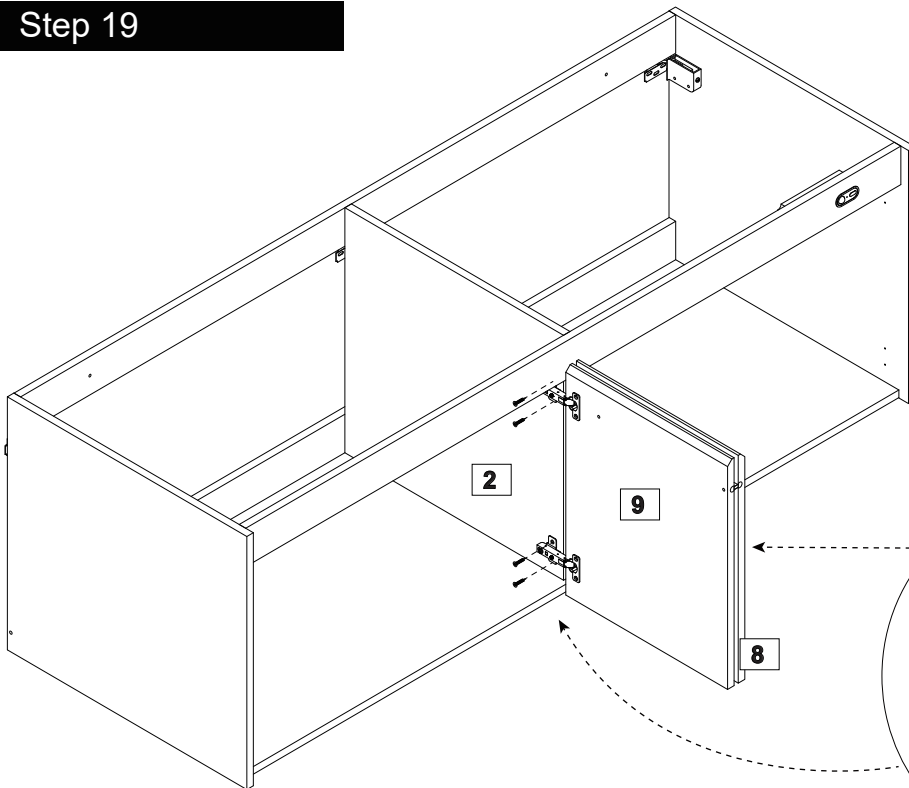


Please note that the arm of half-overlay hinge (L) is straight.



Use screw (D) to secure hinge (L) to part (8,9).
Use screw (K) to secure handle (K) to door (8,9).

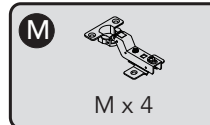
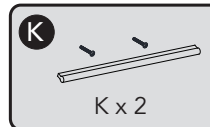
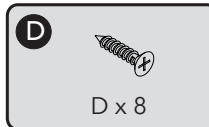
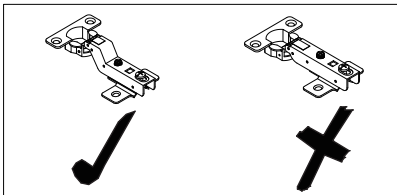
Step 19



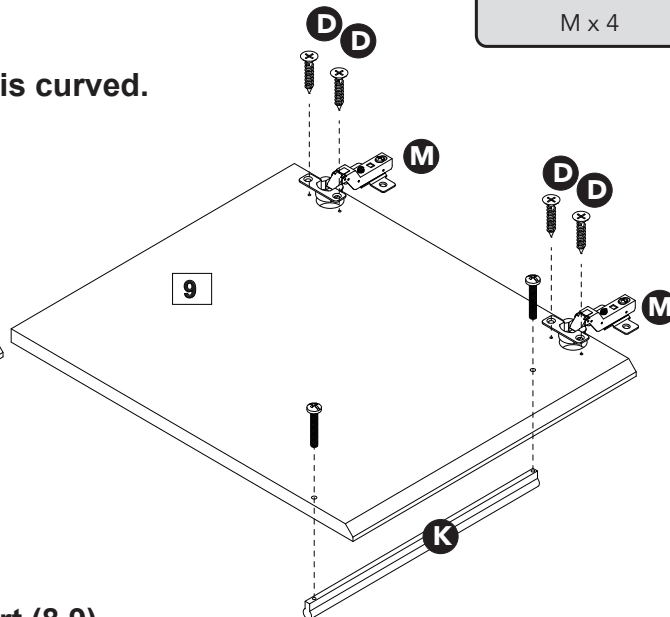
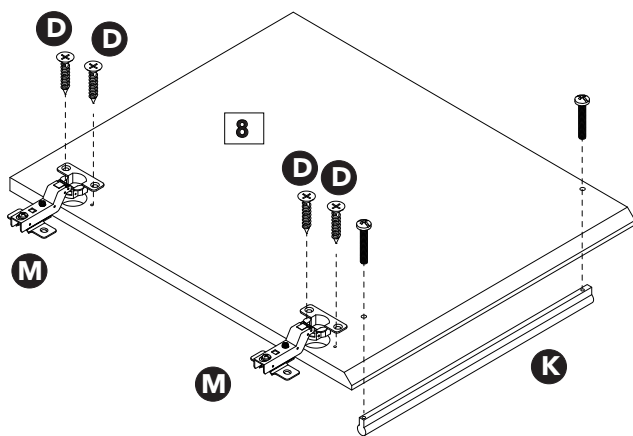
Use screw (D) to secure hinge (L) to part (2) with a screwdriver.

Assembly Instructions

Step 20

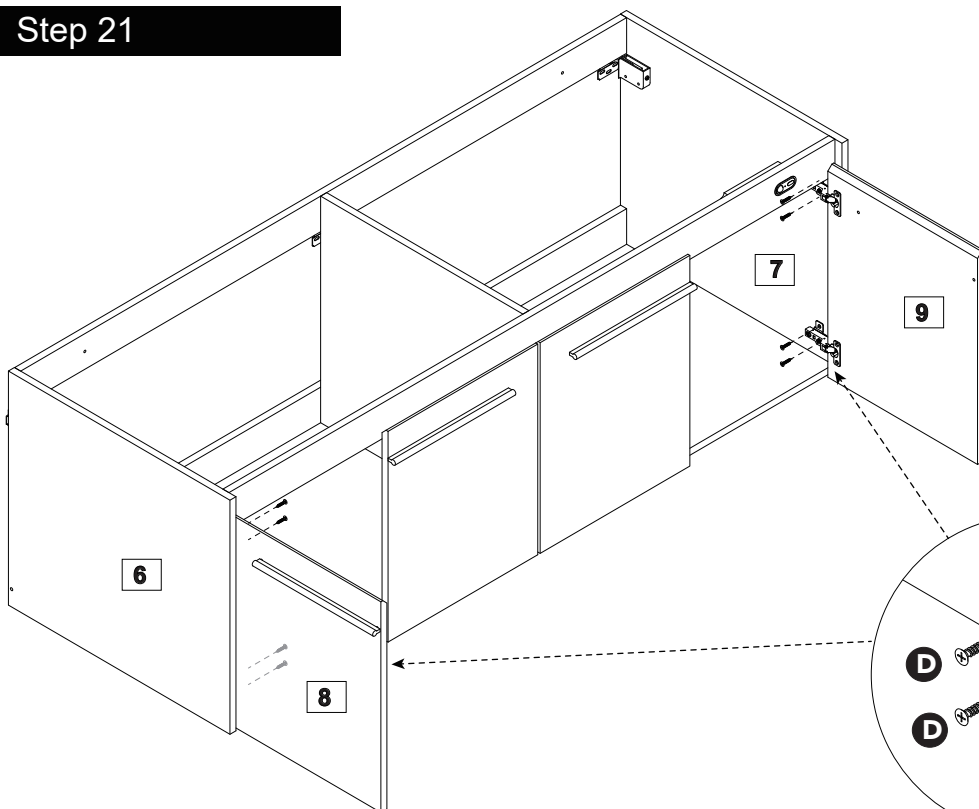
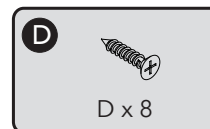


Please note that the arm of inset hinge (M) is curved.

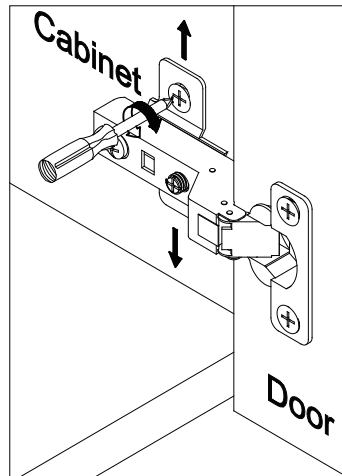
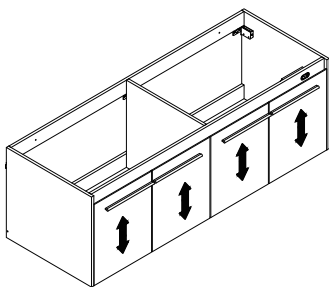
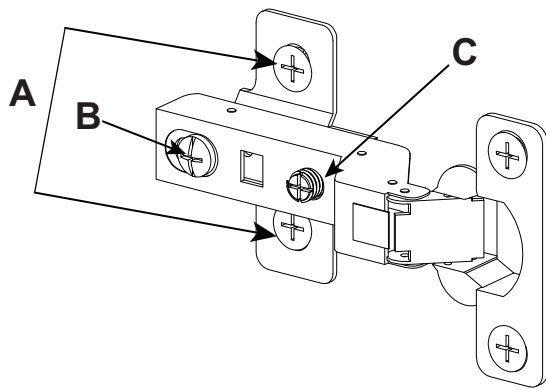


Use screw (D) to secure hinge (M) to part (8,9).
Use screw (K) to secure handle (K) to door (8,9).

Step 21

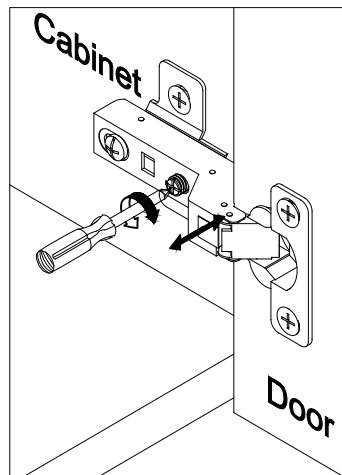
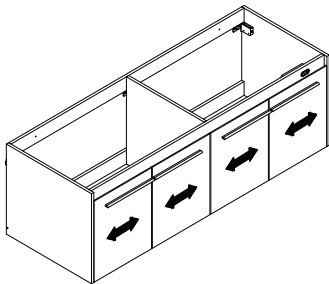


Use screw (D) to secure hinge (M) to part (6,7) with a screwdriver.



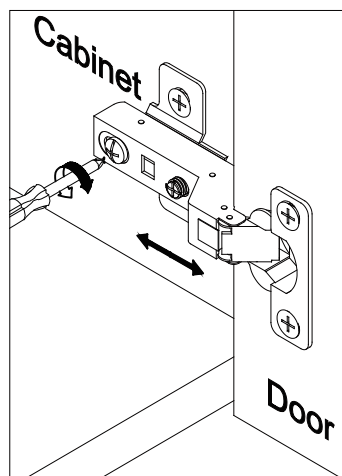
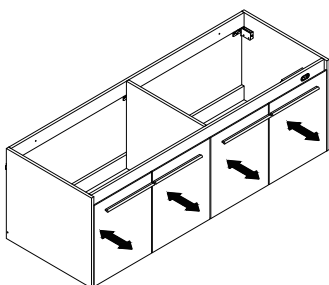
To adjust the vertical height.

Loosen the two screws "A" on both hinges. They are usually in slotted holes which allows you to adjust up or down by a few mm. Then tighten back up.



To adjust side ways.

Turning the screw "C" on BOTH hinges on each door.

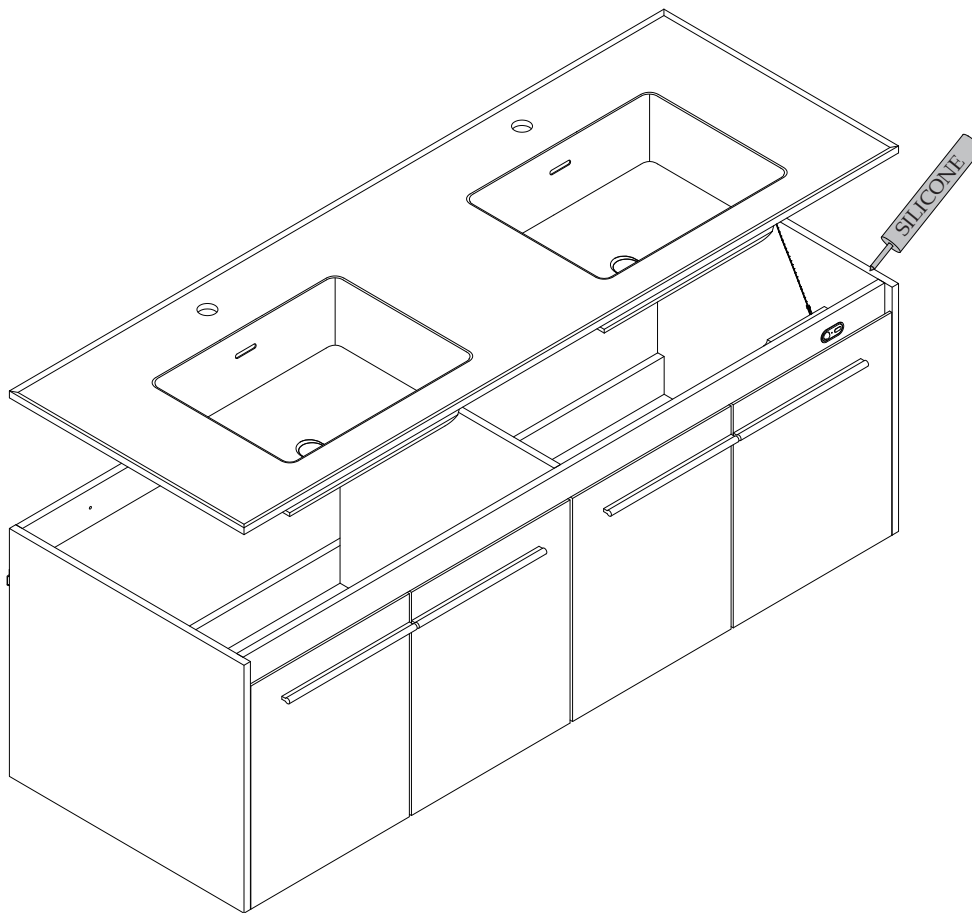


To adjust depth

Loosen screw "B" and adjust door,if the door can not be adjusted,please loosen screw "C" ,then try again.Tighten screw "B" and"C" .

Assembly Instructions

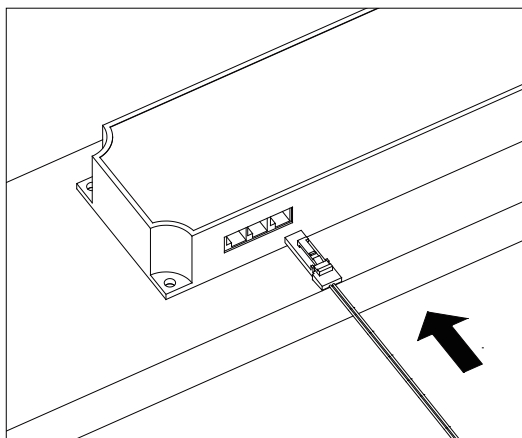
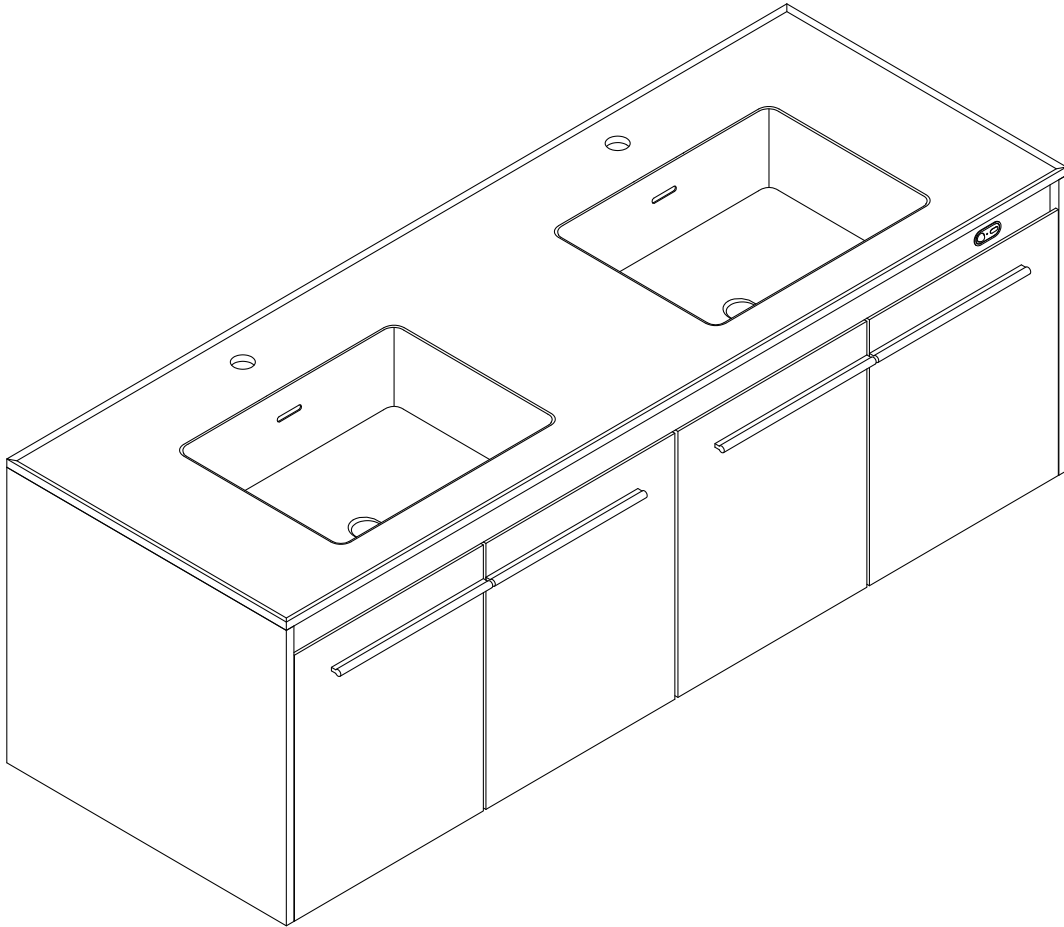
Step 22



**Apply a thin layer of silicone sealant around the top of the vanity, and then carefully set the sink in place.
Remove excess silicone sealant with a wet rag.**

Assembly Instructions

Step 23



Connect the LED light strip to the power bank, then the assembly is completed.

A Guide to Wall Mounting & Fixings

Important note:

If plastic wall plugs (rawl plugs) are supplied with your product, e.g.:



- these are only suitable for use in masonry walls.

If you are in any doubt about the correct wall plugs for your wall, seek professional advice.


Failure of the product due to using the incorrect fixings is the responsibility of the installer.



Important: when drilling into walls always check that there are no hidden wires or pipes etc.

Make sure that the screws and wall plugs being used are suitable for **supporting your unit**. **Consult a qualified tradesperson if you are unsure.**

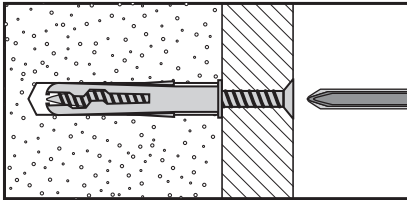
Hints:

- 1: General rule:  always use a larger screw and wall plug if you are not sure.
- 2: Ensure you use the recommended drill bit to match the wall plug and hole size.
- 3: Ensure you drill the hole horizontally; do not force the drill or enlarge the hole.
- 4: Take extra care when drilling high walls, ceilings and ceramic tiles. Ensure wall plugs are inserted beyond the thickness of the ceramic tiles to avoid the tiles splitting or cracking.
- 5: Ensure wall plugs are well fitted and are a tight fit in the drilled hole.

Types of walls

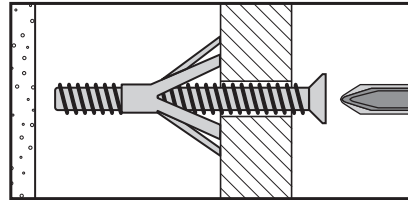
You can use one of the following types of wall plug if your walls are made of brick, breeze block, concrete, stone or wood.

No.1 "General Purpose" wall plug



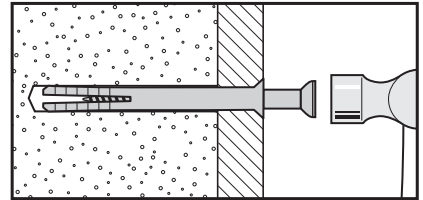
Generally aerated blocks should not be used to support heavy loads, use a specialist fitting in this case. For light loads, general purpose wall plugs can be used.

No.3 "Cavity Fixing" wall plug



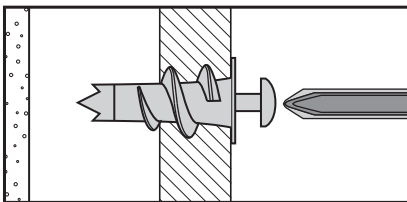
For use with plasterboard partitions or hollow wooden doors.

No.5 "Hammer Fixing" wall plug



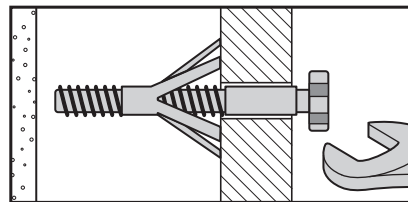
For use with walls stuck with plasterboard. The hammer fixing allows it to be fixed to the wall rather than the plasterboard. Always check the fixing is secure to the retaining wall.

No.2 "Plasterboard" wall plug



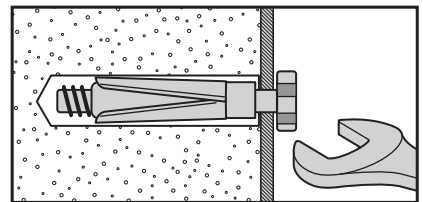
For use when attaching light loads onto plasterboard partitions.

No.4 "Cavity Fixing - Heavy Duty" wall plug



For use when fitting or supporting heavy loads such as shelving, wall cabinets and coat racks.

No.6 "Shield Anchor" wall plug - heavy loads



For use with heavier loads such as TV and HiFi speakers and satellite dishes etc.



Care & Maintenance

Safety: always check the fitting and location to ensure your safety in and around the home.

Fitting: from time to time check the fitting to ensure the wall plugs or screws do not become loose.