





# ASSEMBLY INSTRUCTIONS & PARTS IDENTIFICATION

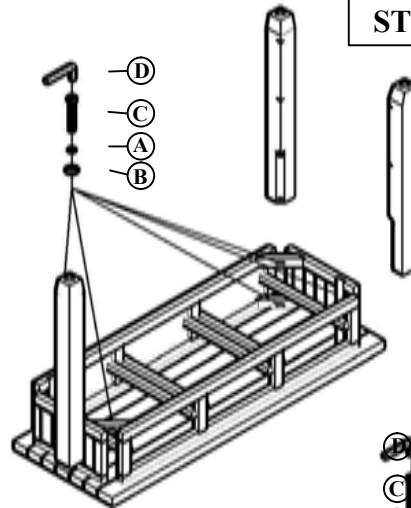
## Sofa / Media Table DAKOTA OAK

Thank you for purchasing this quality product. Be sure to check all packing material carefully for small parts that may have come loose inside the carton during shipment.

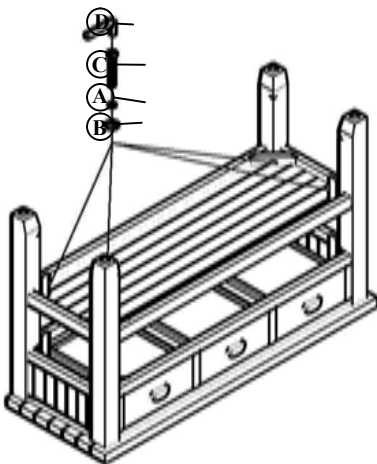
Parts Key		
No	Q'ty	Description
1	4 Pcs.	Leg
2	3 Pcs.	Drawer Complete
3	2 Pcs.	Shelf
4	4 Pcs.	Floor glide
5	3 Sets.	Knob w/screw
6	6 Pcs.	Drawer glide
7	3 Pcs.	Drawer stop
8	1 Set.	Anti-tip Kit

Hardware Kit			
No		Description	Q'ty
A		Lock washer Ø8 x 13mm	16 Pcs.
B		Flat washer Ø8 x 19mm	16 Pcs.
C		Bolt Ø8 x 60mm	16 Pcs.
D		Allen key	1 Pc.

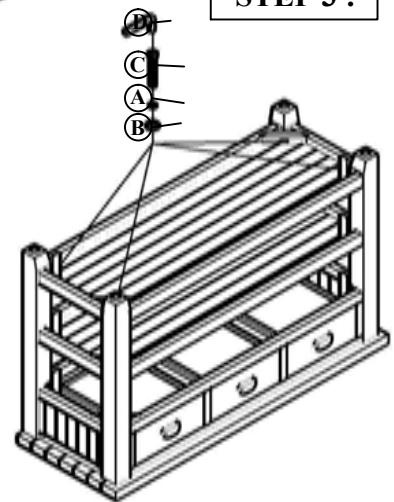
STEP 1 :



STEP 2 :



STEP 3 :



STEP 4 :

