









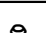

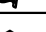




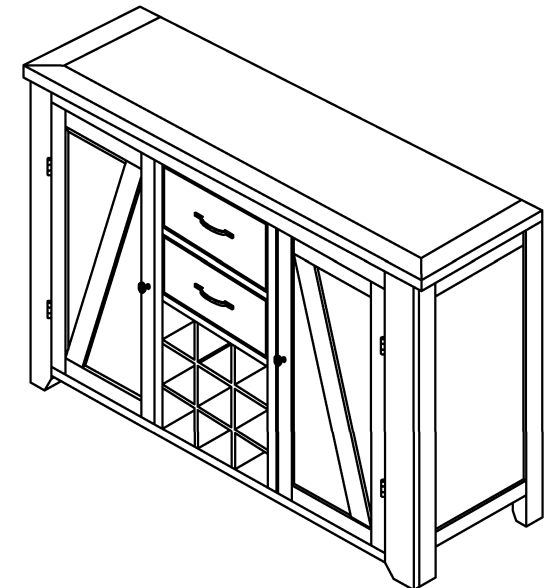
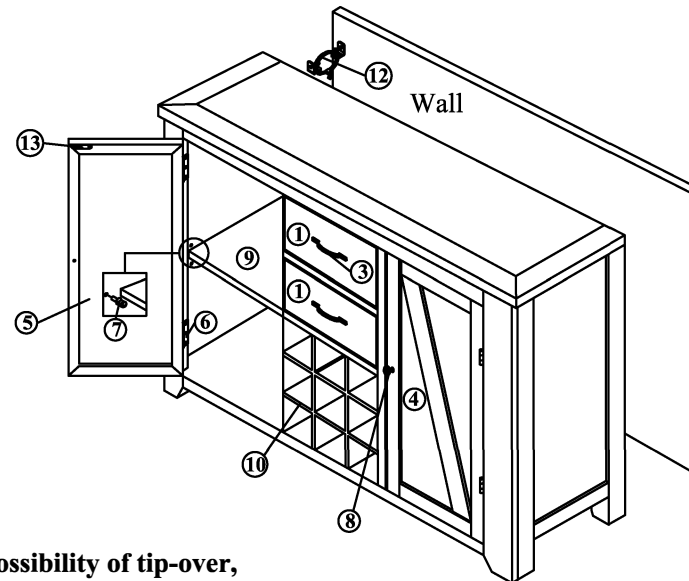
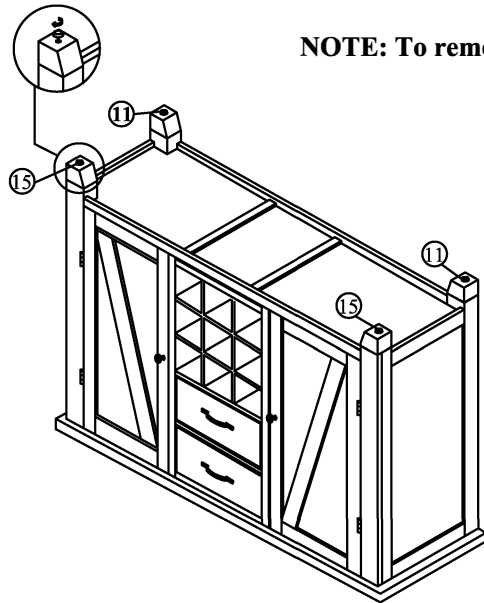
# ASSEMBLY INSTRUCTIONS & PARTS IDENTIFICATION

## RUSTICS SERVER

No	Description	Code	Q'Ty
1	 Drawer	A	2 pcs
2	 Drawer stop	B	2 pcs
3	 Drawer pull w/ screws	C	2 pcs
4	 Right side facing door	D	1 pc
5	 Left side facing door	E	1 pc
6	 Door hinge	F	4 pcs
7	 Shelf pin	G	4 pcs

No	Description	Code	Q'Ty
8	 Door pull w/ screws	H	4 pcs
9	 Shelf	I	2 pcs
10	 Bottle rack	J	1 pc
11	 Floor glide	K	2 pcs
12	 Anti tip hardware	L	1 set
13	 Door catch set	M	2 sets
14	 Drawer glide	N	4 sets
15	 Leveler	O	2 pcs

**NOTE:** To remove the drawer, depress the plastic stop mounted on the cross support under the drawer before pulling out the drawer.



**★ PLEASE NOTE:** To help prevent the possibility of tip-over, install the tipover restraint provided.