




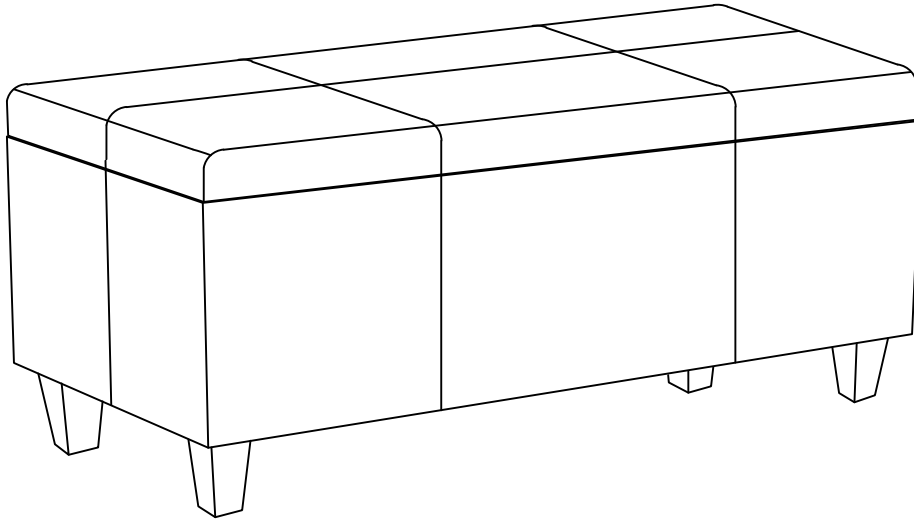
Assembly Instruction

Caution : You must read this before you proceed

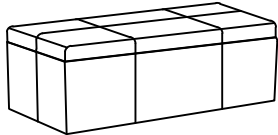
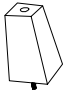
Care & Maintenance

-  ● Not for commercial use. For residential use only.
-  ● Furniture may scratch floors. We recommend using furniture pads to protect your floors.
-  ● Do not put hot items directly on furniture surface.
-  ● Do not clean furniture with harsh cleansers or polish.
-  ● Do not place furniture under direct sunlight.
-  ● Do not place furniture near heating or cooling vents.
-  ● Do not write on furniture without a padded barrier to protect the surface.
-  ● Do not place furniture outside . For indoor use only.
-  ● Stains may be removed with mild soap solution and damp cloth.
-  ● Children should not climb or jump on the furniture.
-  ● Dust and pick-up spills using a clean, non-colored, lint-free cloth.

N779P396200



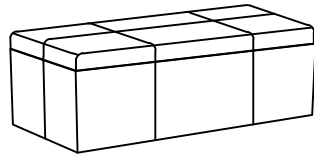
Parts List

Label	Picture	Description	QTY
A		Ottoman	1
B		Leg	4

Please look in the velcro pouch for hardware packs and legs

Assembly Preparation

Before
Beginning
Assembly:



(A)×1



(B)×4



- Read instructions, cover to cover-



- Have 2 adults on hand for assembly-



- Do not assemble on flooring or carpet-



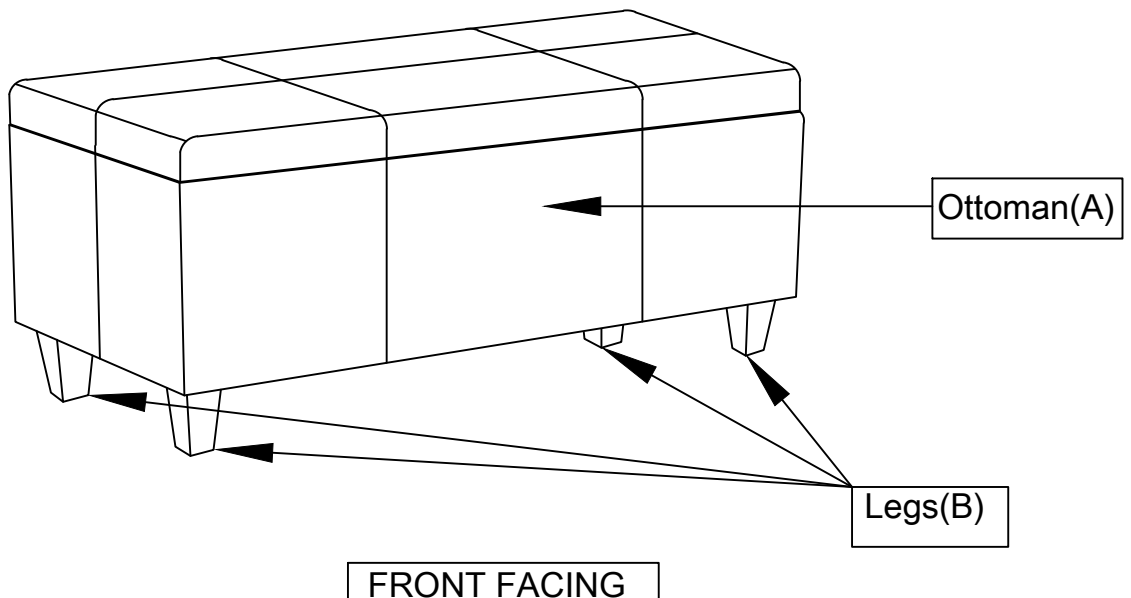
- Assemble on a clean non-marring surface (packing foam)-



- Save all packaging until finished-

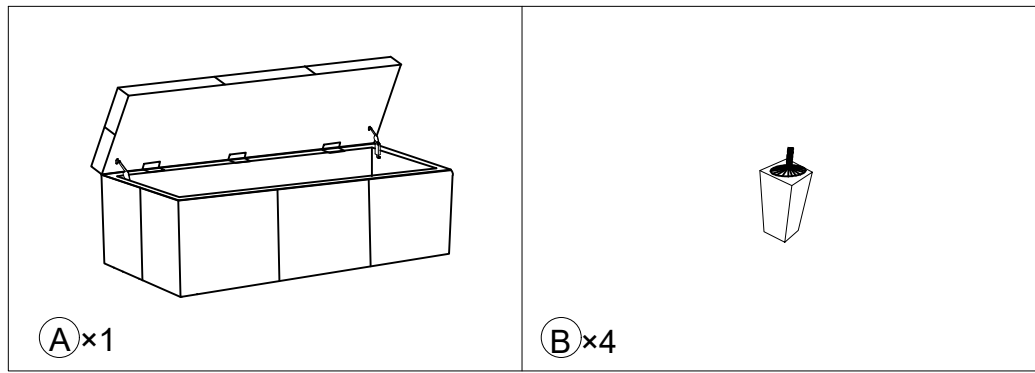
Assembly Steps

Overview



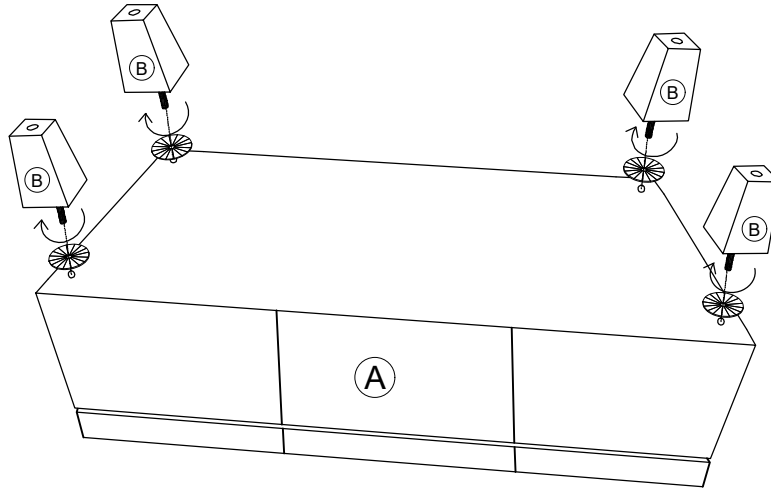
This ottoman has multiple parts and may require up to some 30 minutes to assemble. To give you an overview of the parts, the above picture is to help you put the various parts into perspective. Please read through the instructions below to familiarise yourself with the parts and steps before assembly.

Step 1



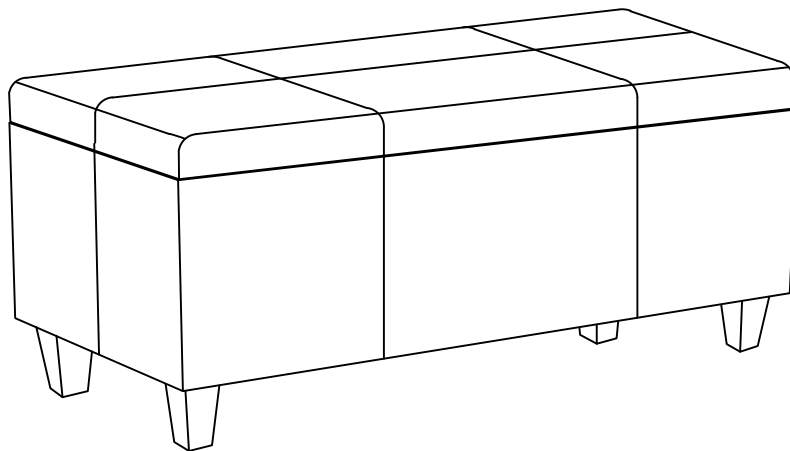
Open the lid of the Ottoman Body(A) and take out all the Legs.

Step 2



Turn the Ottoman Body (A) upside down and place it on a soft, clean surface to prevent scratches. Align each Wooden Leg(B) with the pre-drilled holes at the Ottoman. Insert the leg screws into the holes and tighten them clockwise until all legs are firmly secured.

Step 3



Complete assembly, flip the Ottoman.
Your Ottoman can only be used on a flat, level surface.