

No matter what problems or questions you encounter during the installation or use of the pendant light, please feel free to contact us, we will reply to you within 24 hours and quickly solve or answer for you!

When you leave a message to us online, please leave your order ID and case details. The more detailed and accurate descriptions you provide, the faster and accurate solutions we will offer!



SAFETY INSTRUCTIONS

These instructions are provided for your safety. It is very important that you read the instructions completely before starting the installation of your fixture.

1. We recommend installation by a licensed electrician .
2. This fixture require E26 bulbs(INCLUDED) and bulb rated wattage: Max 10W.Low wattage LED bulbs are recommended. To avoid risk of fire, do not exceed the recommended wattage.
- 3.If any special control devices are used with this fixture, follow the instructions carefully to assure full compliance with N.E.C.requirements. If there are any problems, contact a qualified electrical contractor.
- 4.Please ensure that you shut off the main electrical supply before installation, changing bulbs or cleaning light fixture.



WARNINGS

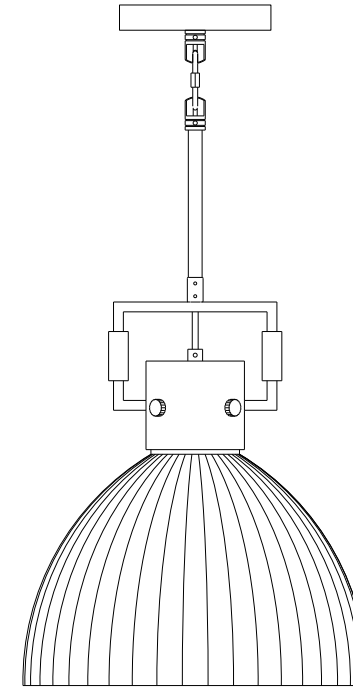
This is not a toy and the product has no play value.
Keep at least 3 feet away from cribs,bassinets and toddler beds.
Keep out of reach of children under 3 years of age.



PREPARATION

1. Please prepare the E26 bulbs in the package in advance.
- 2.Please keep the installation place clean and tidy to avoid missing tiny accessories.

INSTALLATION MANUAL




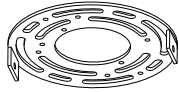
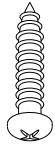
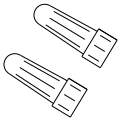
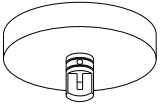
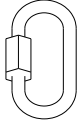
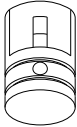



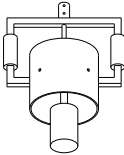

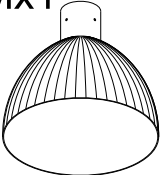
This manual only shows the installation steps for one size, and the installation methods for other sizes of products are similar.

Now, let's complete this light together.

Be patient.....

and fully utilize your artistic talent.....

What awaits you after completion is incredible beauty!

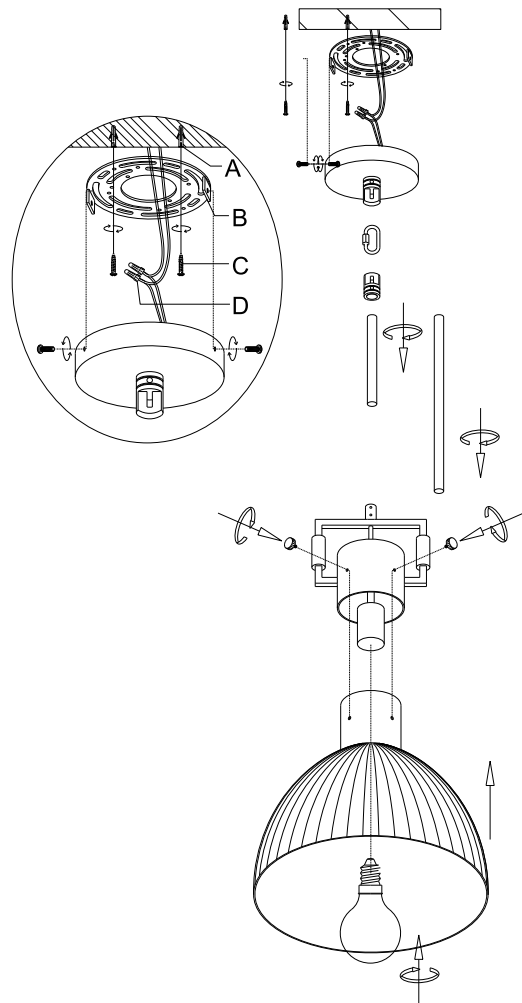
Ax2 	Bx1 	Cx2 	Dx2 
Ex1 	Fx1 	Gx1 	Hx2 
Ix5 	Nx1 	Kx1 	Lx4 
Mx1 			

Please note:

Please check the parts list, if the parts are missing during your actual installation please contact us, we will help you in time!

STEP IV Hanging Pendants

Step 4



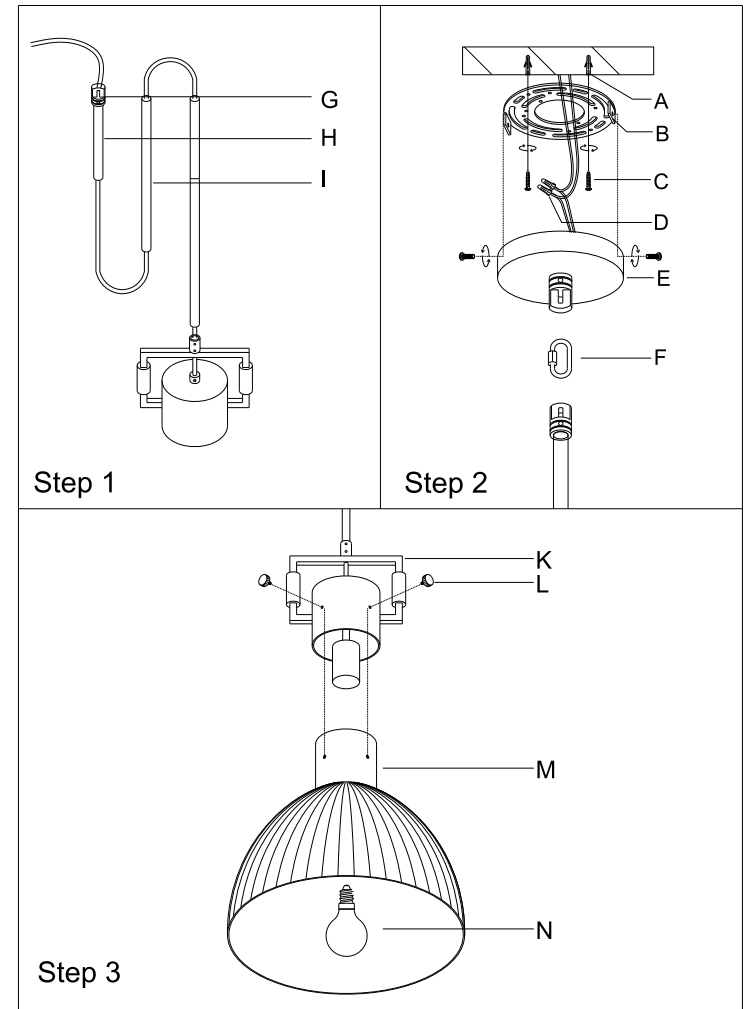
FAQ

Q:What do I need to pay attention to when installing a crystal lampshade?

A: Since glass products are fragile, we only need to fix the crystal lampshade to a certain part of the lamp body with a hardware ring with a corresponding knob.

STEP I Unpacking

Open the box, and take out all the accessories, you will get the following items.



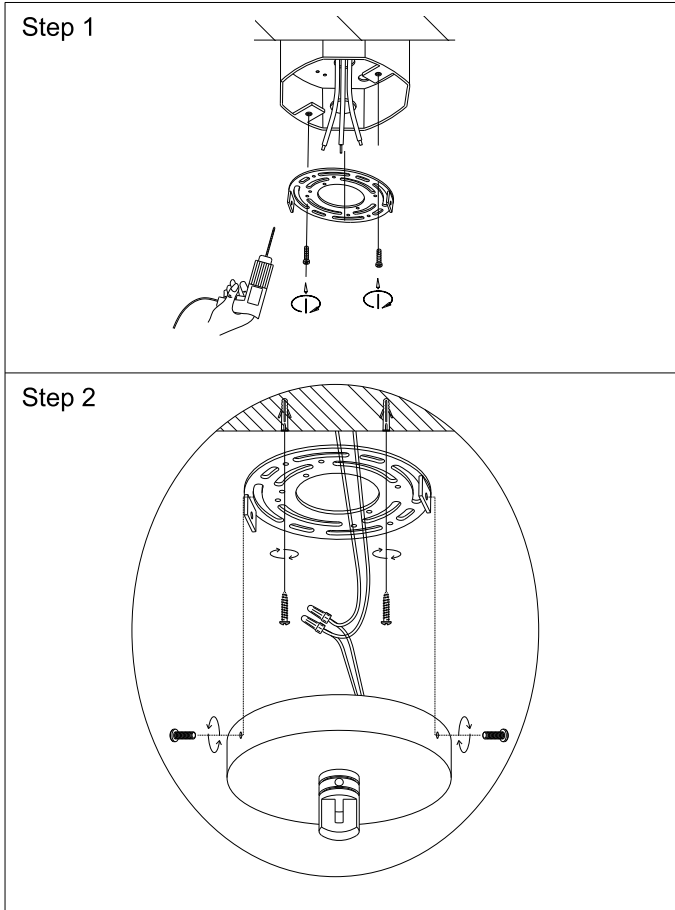
FAQ

Q:After opening the box, I found the fittings broken, what should I do?

A:We have prepared spare fittings in each box, which are sufficient for your installation.If any spare accessories are broken, please contact us in time and we will send you new ones.

STEP II Branch Adjustment

1. Adjust the length of hanging cable and wire according to your requirement.
2. Take off the mounting bracket from ceiling canopy, and install it on ceiling.
3. Connect lamp wires and your house wires together.
4. Install the lamp frame on ceiling.

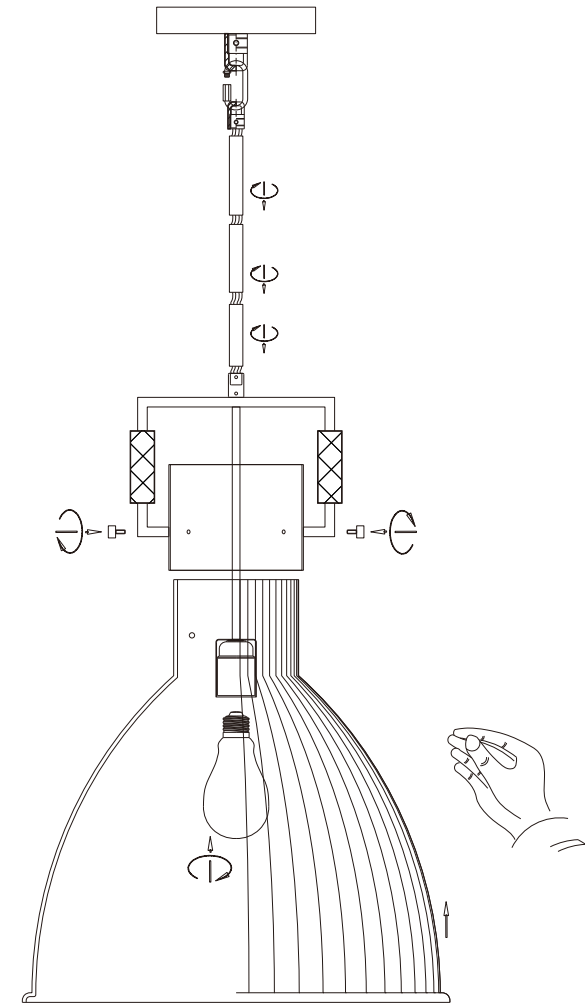


FAQ

Q:How do I differentiate between Neutral wire, Live wire and Ground wire?

A: We have distinguished marks between the N and L wires and the brass wire on the mounting bracket is the ground wire.

STEP III Wiring and Mounting



FAQ

Q:What if the bulb is not vertical when installing?

A:We can loosen the bulb to fine-tune the angle.Ensure that the light bulb, when being locked, is vertical! So that the light Bulb will not touch the inner wall of the lampshade!