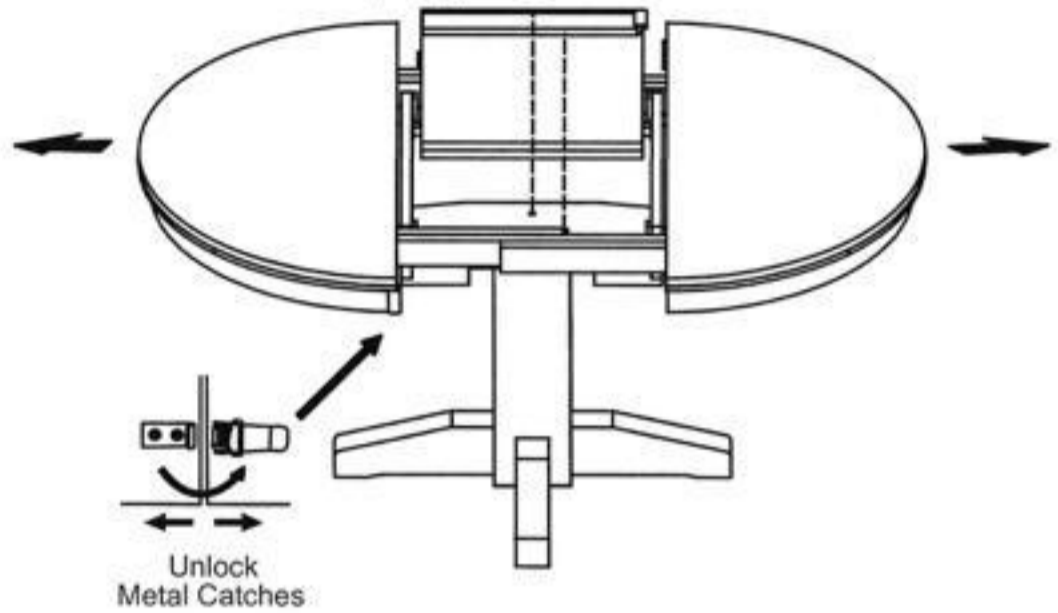
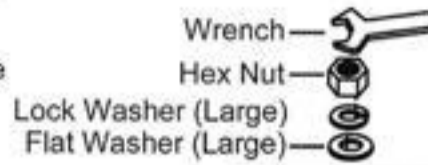


Assembly Instructions

ASHFORD ROUND BUTTERFLY TABLE

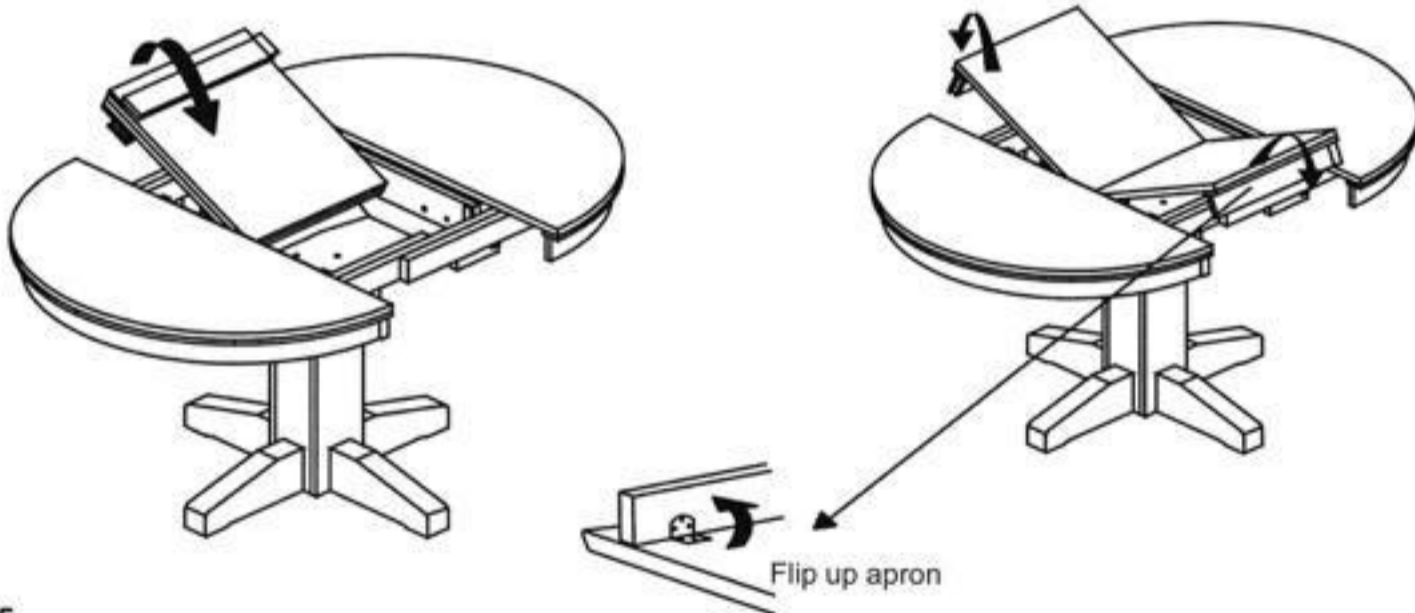
STEP 3

Unlock the metal catches underneath the table and pull the table top wide open equally from both ends. Align and attach the table top to the pedestal. Insert a **Flat Washers (Large)**, **Lock Washers (Large)** and **Hex Nuts** onto the hanger bolts. Tighten all **Hex Nuts** with the provided **Wrench**.



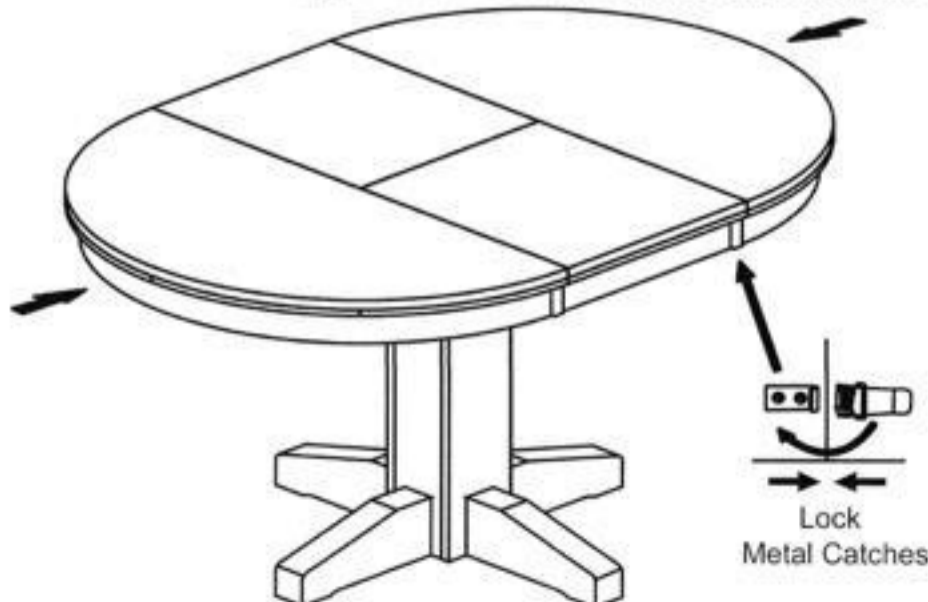
STEP 4

Lift both leaves from the compartment and flip up the aprons then unfold table leaf and place the leaf on the top surface carefully.



STEP 5

Push table top from both ends to close gap and lock the metal catches underneath the table. Adjust the level glides until the table sits firmly.



IMPORTANT :
Loosely assemble all parts and level on a flat surface before final tightening. Use of power tools is not recommended.