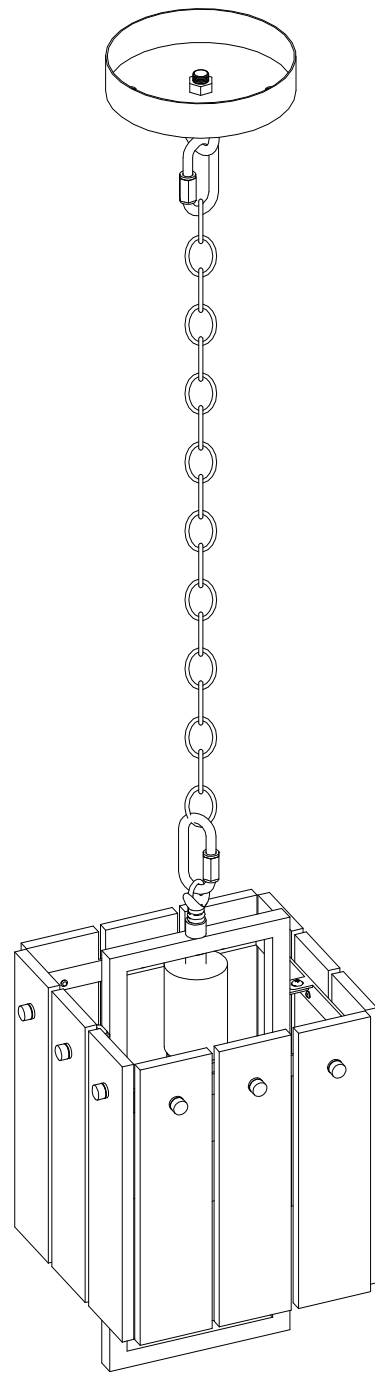


outline drawing:



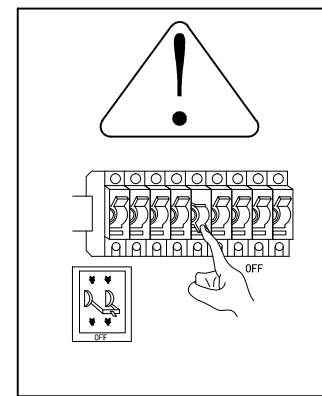
model:

Technical data: Power supply voltage 110-120V, bulb type E26Max40Wx1PCS (not included)

CAUTION



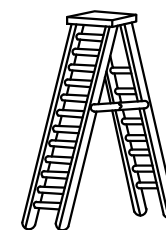
- Before installing the lighting fixtures, please check the insulation of the wires for any cuts, wear, or possible damage during transportation. If the wires are defective, do not attempt installation .
- In some countries, electrical installation work can only be carried out by authorized electrical contractors. Please contact the local power department for advice.



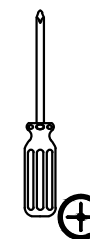
IMPORTANT Before starting the installation work, please make sure to cut off the power supply to the circuit.

IMPORTANT Keep children away from the installation process .

Required tools (not included):



Ladder

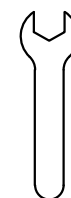


Phillips screwdriver



pincers

Required tools (including):

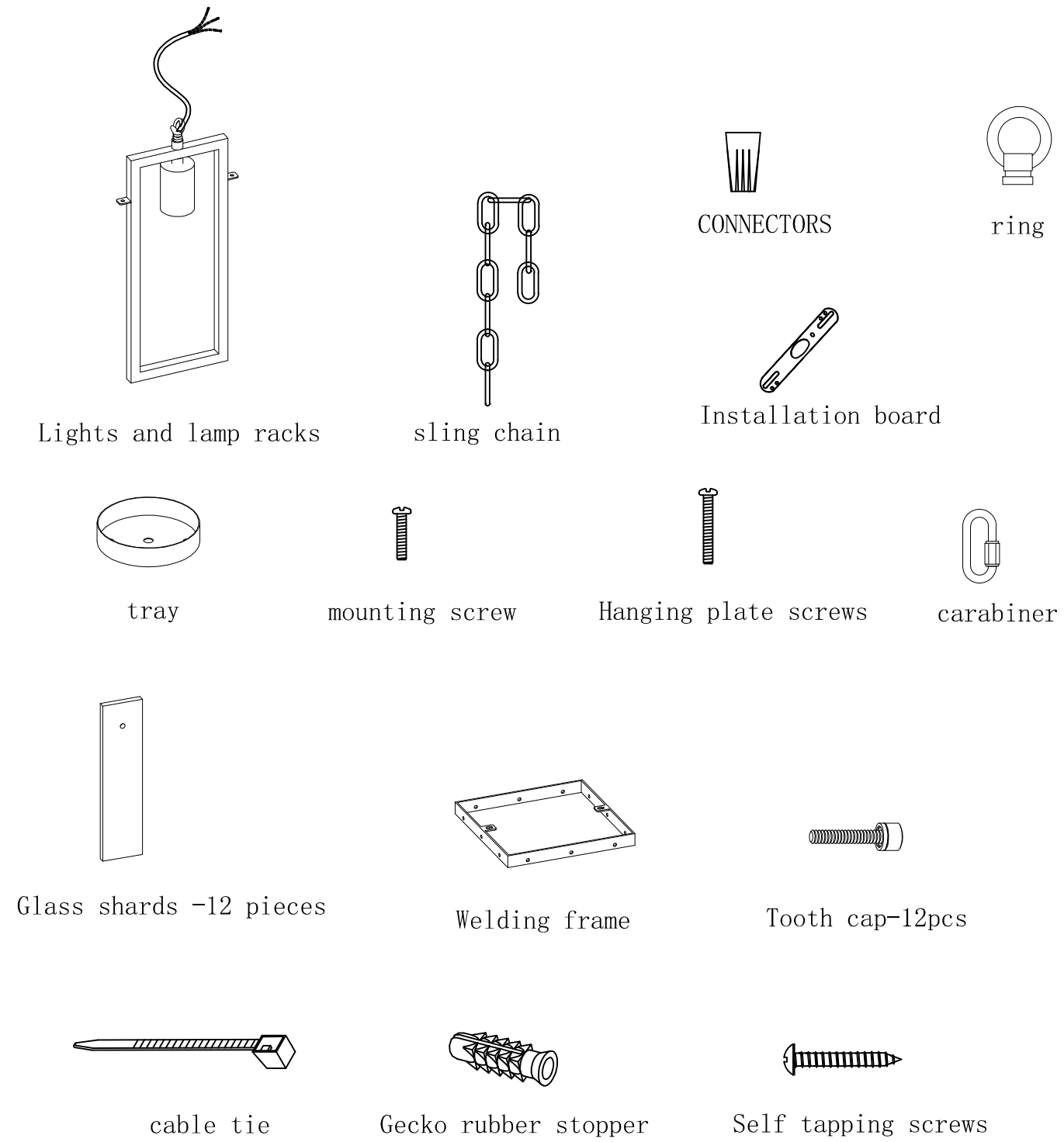


Hex Wrench



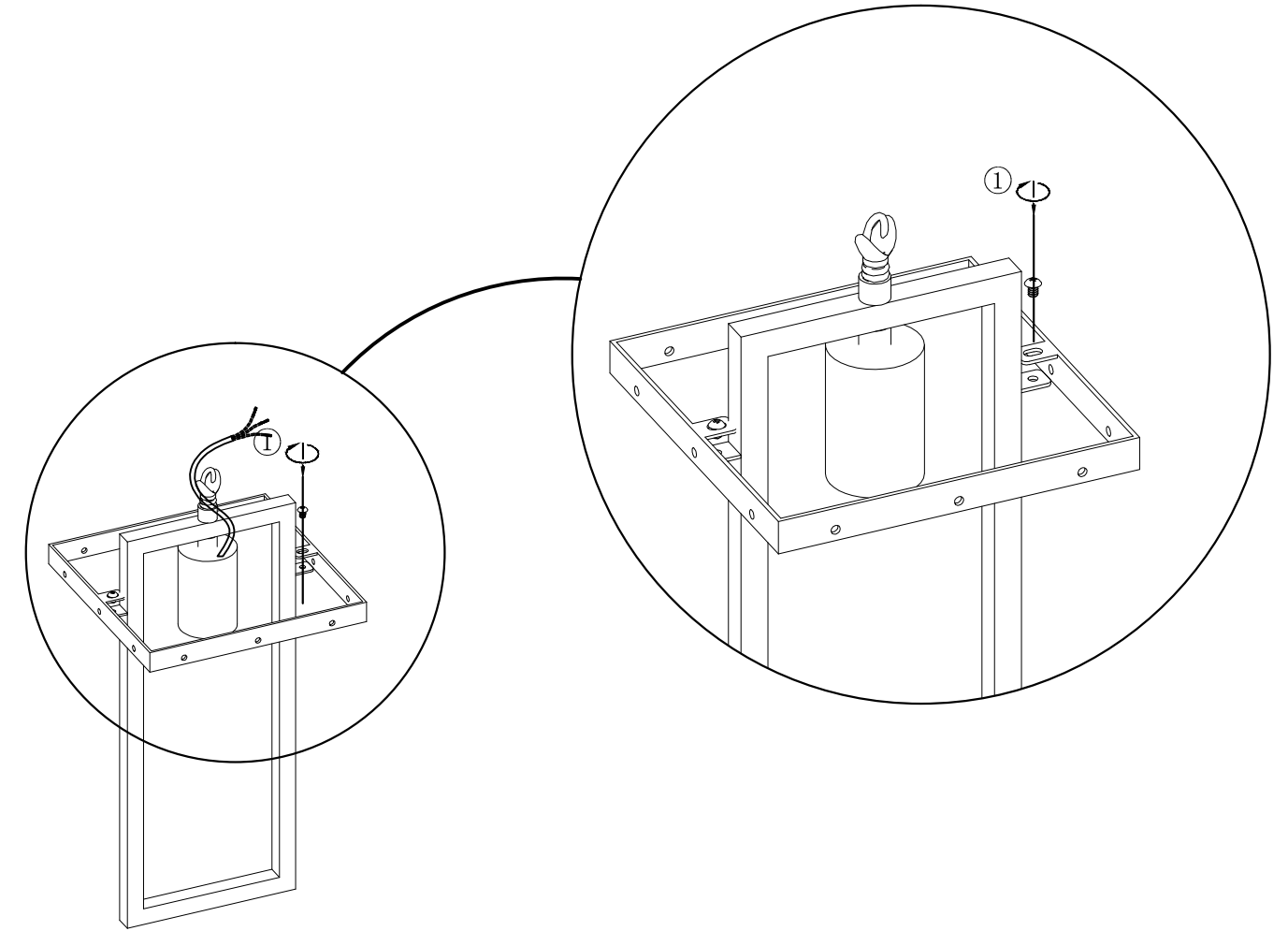
glove

The hardware kit provides:



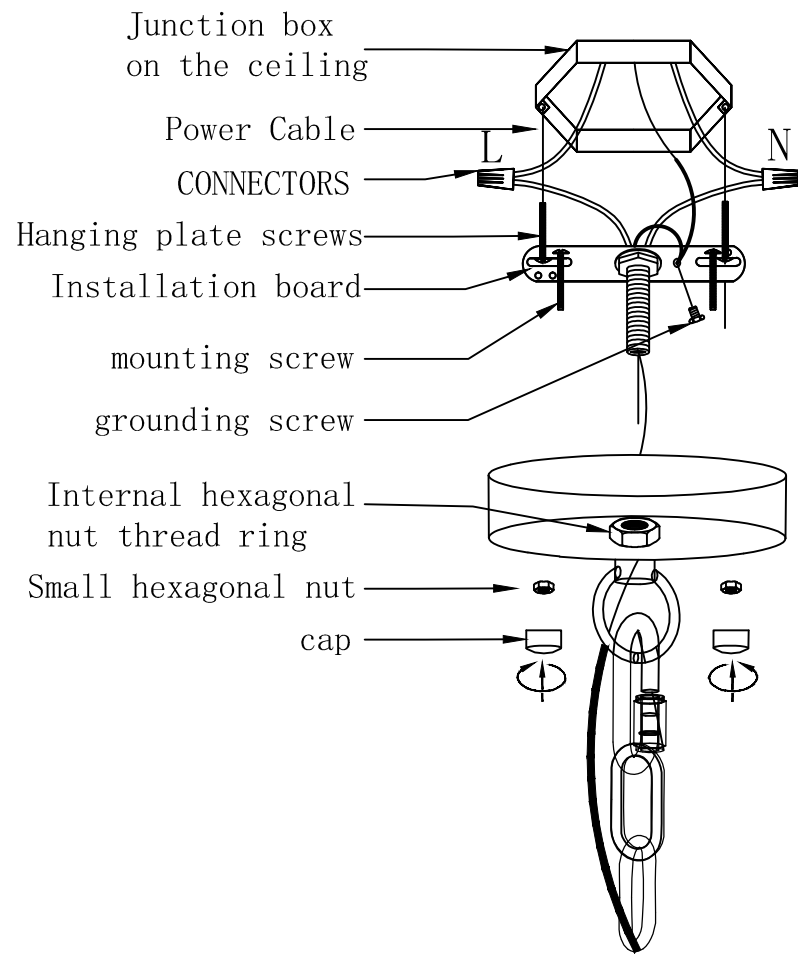
• The components displayed on each lamp may vary slightly

step 1

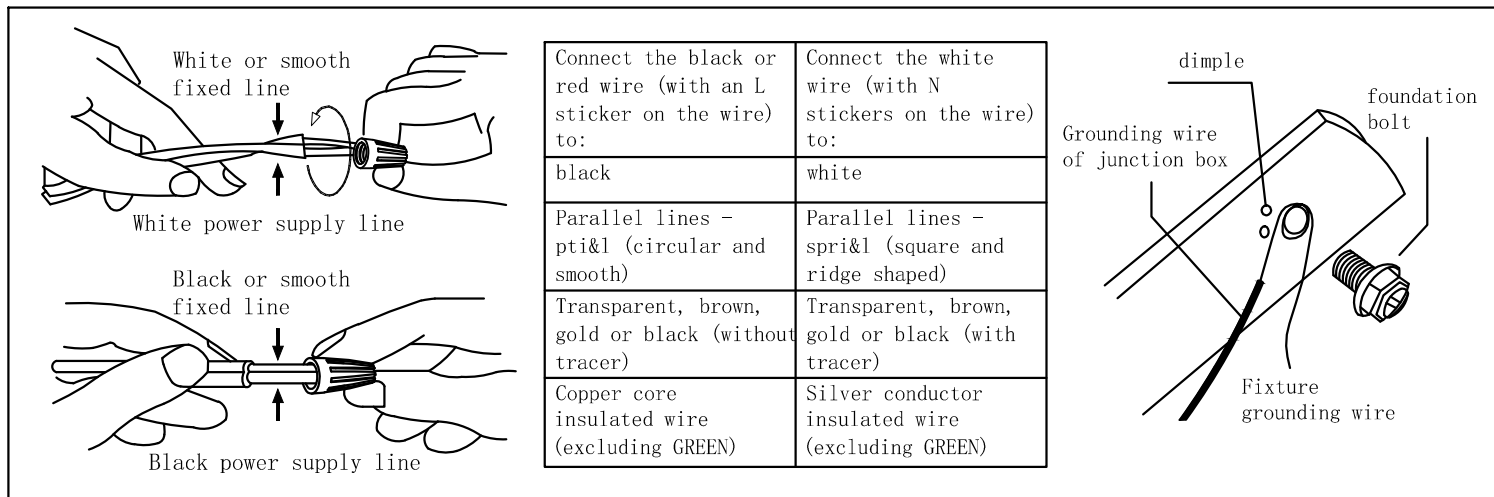


① Thread the screw through the welding frame and connect it tightly to the lamp and lamp bracket.

Step 2

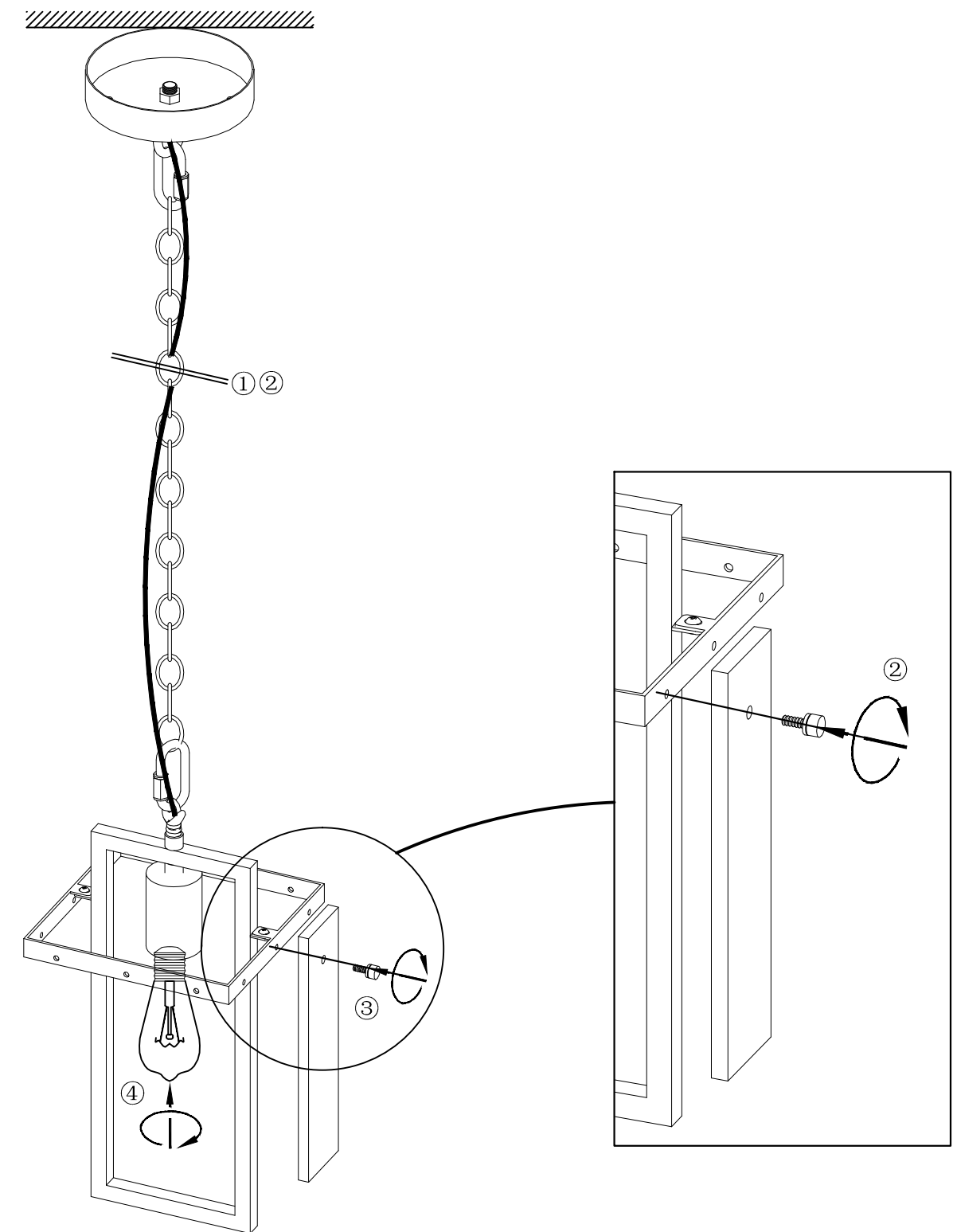


- ① Thread all the wires through the canopy and installation kit.
- ② Connect the power cable with two cable connectors.
- ③ Connect the grounding wire and tighten it with the grounding screw.
- ④ Install the fixing screws into the mounting plate, install the installation unit under the junction box, and tighten with two mounting screws.
- ⑤ Fix the canopy in place using a suspension ring. Tighten the screw ring and hex nut with a wrench to tighten the hex nut.
- ⑥ Tighten the fixing screws on the rain shelter holes.
- ⑦ Tighten the cap tightly.



Step 3

Kind reminder: Before installing the glass panels, please clean them thoroughly.



- ①② This depends on the height of your ceiling and the desired suspension length. You can measure the chain and adjust the lock buckle to achieve the desired chain length.
- ③ Tighten the screw through the glass hole and the threaded hole on the ring.
- ④ Tighten the bulb (E26 maximum 40W, not included).