

Assembly Instructions

Before beginning the assembly process, please read and save these instructions for reference. Following these guidelines will ensure a smooth and successful assembly of your product.

1. Part Identification:

Carefully separate and identify all the parts included in your package. Confirm that you have all the components listed in the instruction manual. This step will help you avoid any missing or misplaced parts during assembly.

2. Work Surface:

To prevent any scratches or damage to the product, assemble it on a soft mat or a similar protective surface. This will provide a cushioned area for the components and protect the surfaces from unwanted marks.

3. Step-by-Step Assembly:

Follow the assembly instructions provided, proceeding one step at a time. Take care to understand each step properly before proceeding to the next one. This sequential approach ensures that the assembly is done correctly and minimizes the chance of errors.

4. Proper Screw Seating:

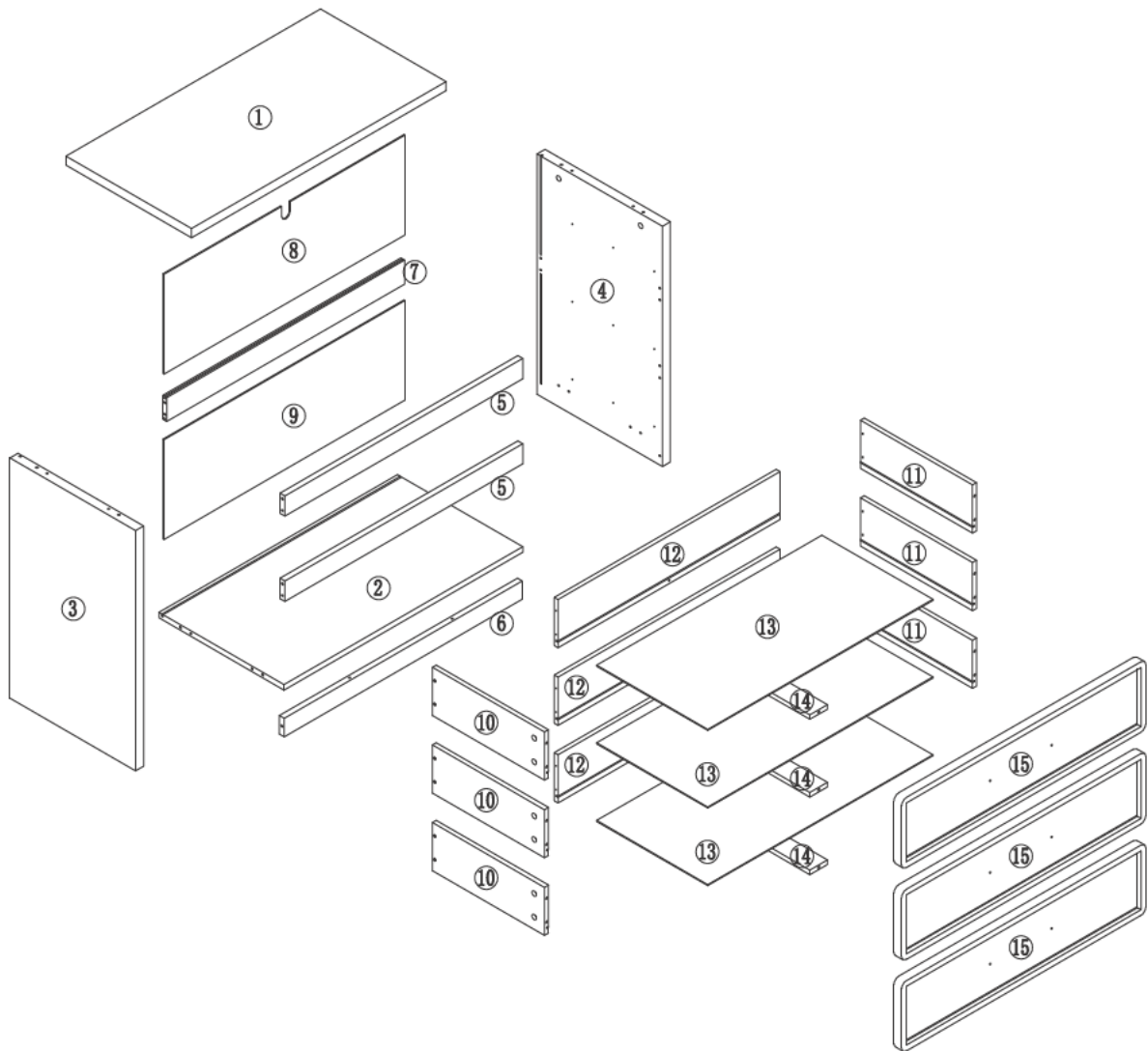
When attaching screws and nuts, it is essential not to fully tighten them until all screws are correctly seated. By partially tightening each screw and nut initially, you can ensure that they are aligned properly and fit securely before final tightening.

5. Avoid Over-Tightening:






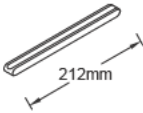










While each screw and nut should be tightened correctly, it is crucial not to over-tighten them. Over-tightening can cause damage to the product or compromise its structural integrity. Use the appropriate amount of force to secure the components without excessive tightening.

If you encounter any questions or problems during the assembly process, please do not hesitate to contact us. We strive to provide excellent customer support and will respond to your inquiries within 24 hours. Our team will offer you a suitable solution to address any concerns you may have.

Parts List

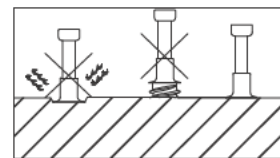
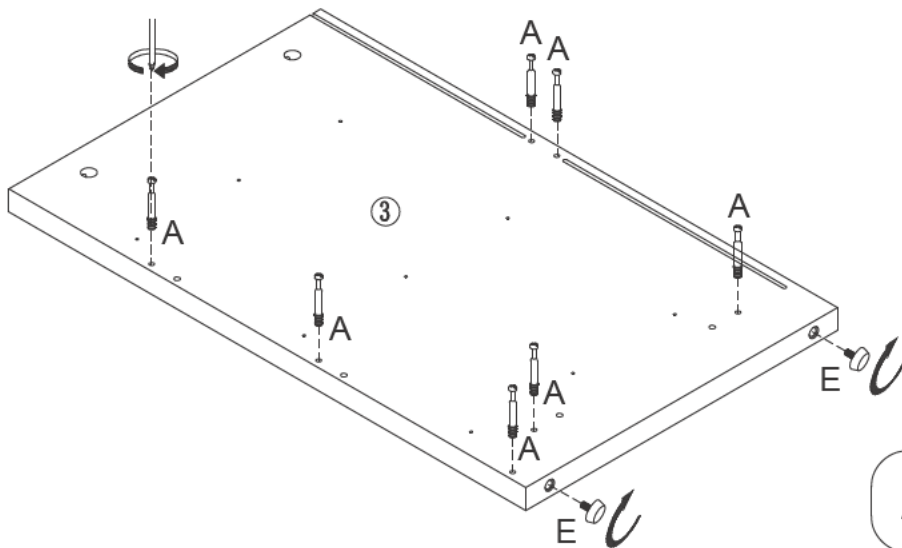


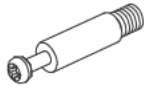

Hardware List

Ax35  M6x40mm	Bx35  ϕ 15x10mm	Cx12  ϕ 8x40mm	Dx16  M4x35mm	Ex4  M6*25mm- 22*7mm
Fx3  212mm	Gx6  M4x20mm	Hx8 	Ix8  M3x16mm	Jx37  M3x12mm
Mx1  ϕ 6x30mm	Nx1  73x24x15x1.0Tmm			
CLx3  350mm	CRx3  350mm	DLx3  350mm	DRx3  350mm	

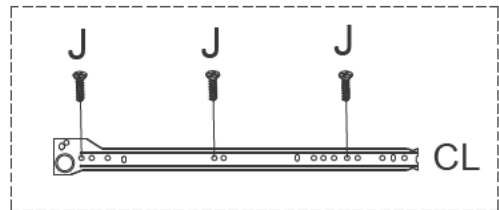
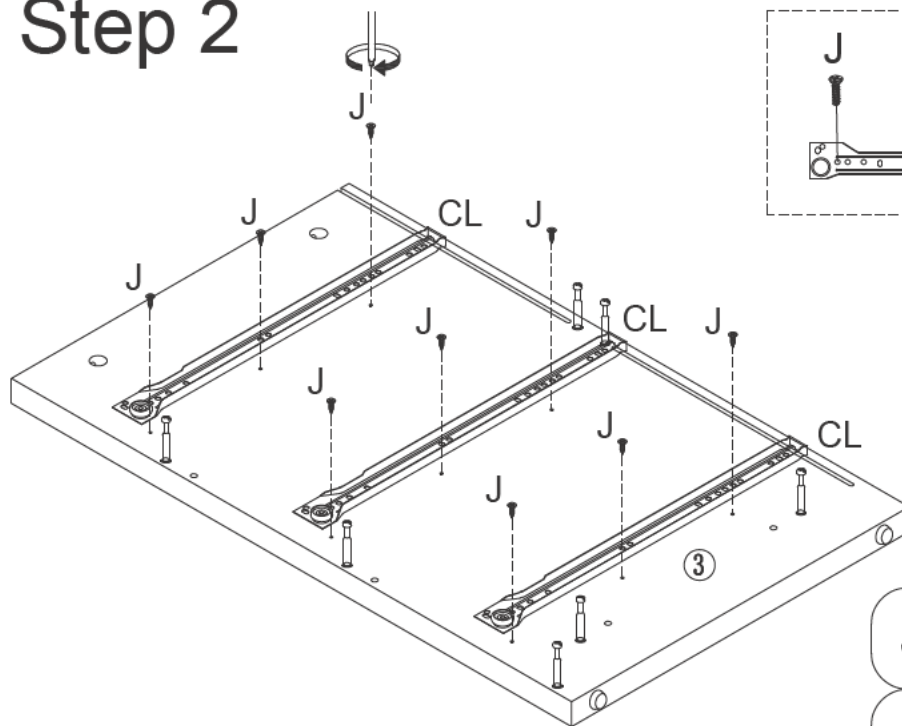
Code	Description	Quantity
A	M6x40mm Cam bolt	35+2
B	ϕ 15x10mm Cam lock	35+2
C	ϕ 8x40mm Wood dowel	12+1
D	M4x35mm Screw	16+2
E	M6*25mm-22*7mm Adjustable foot	4+1
F	212mm Handle	3
G	M4x20mm Handle screw	6+1
H	Backboard clip	8+1
I	M3x16mm Screw	8+1
J	M3x12mm Screw	37+2
M	ϕ 6x30mm Plastic expansion screw	1
N	73x24x15x1.0Tmm Lock wall accessories	1
CL	350mm Drawer runner set	3
CR	350mm Drawer runner set	3
DL	350mm Drawer runner set	3
DR	350mm Drawer runner set	3



Step 1



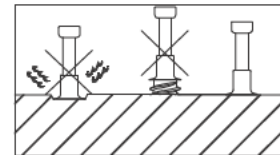
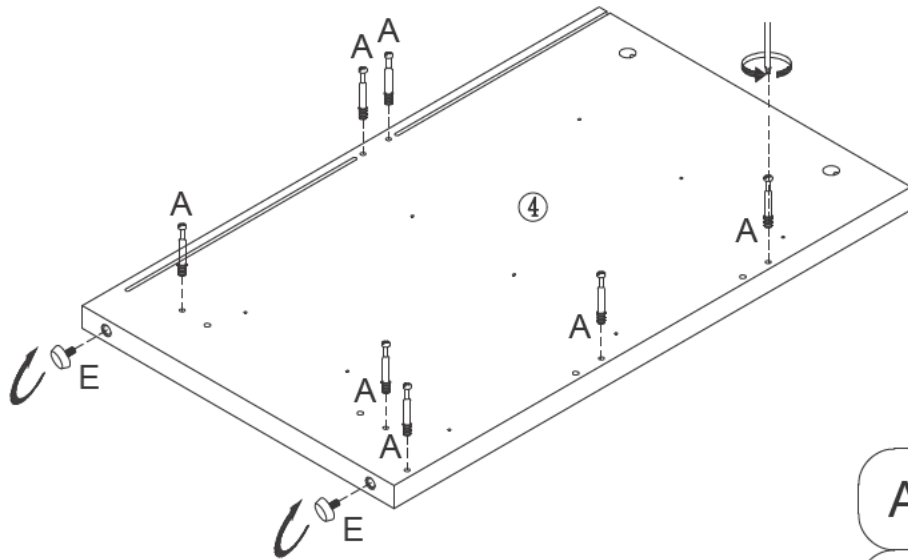
- A  X 7
- E  X 2

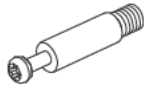

Step 2



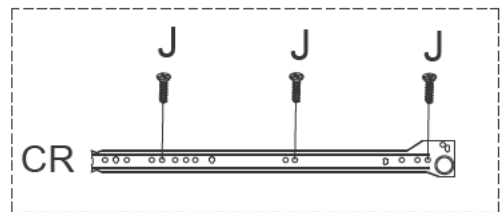
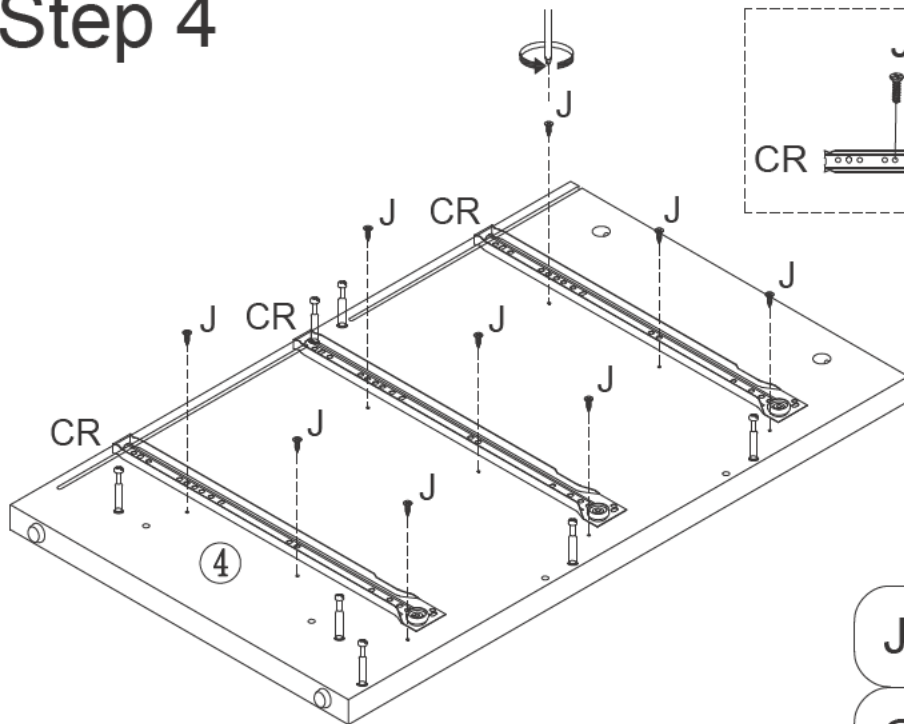
- J  X 9
- CL  X 3



Step 3



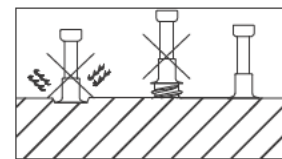
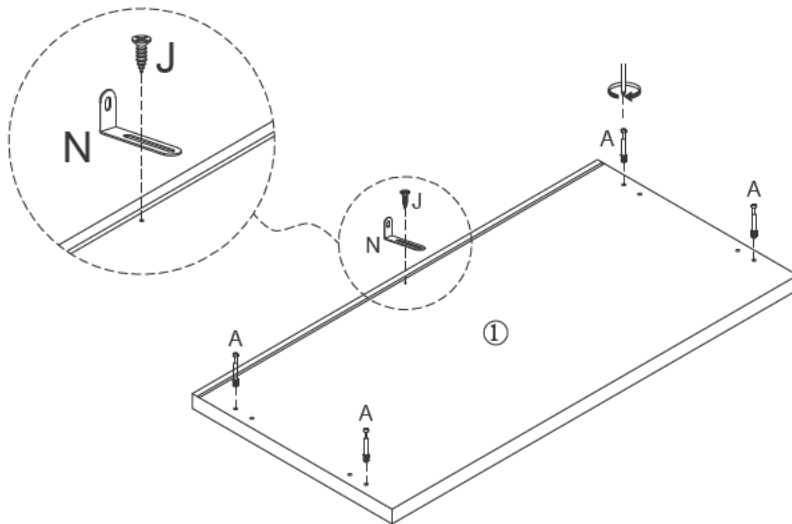
- A  X 7
- E  X 2

Step 4



- J  X 9
- CR  X 3

Step 5

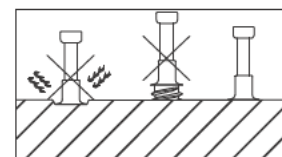
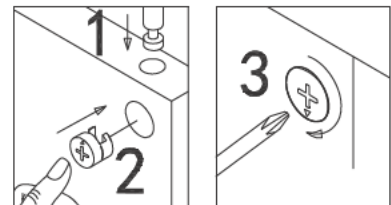
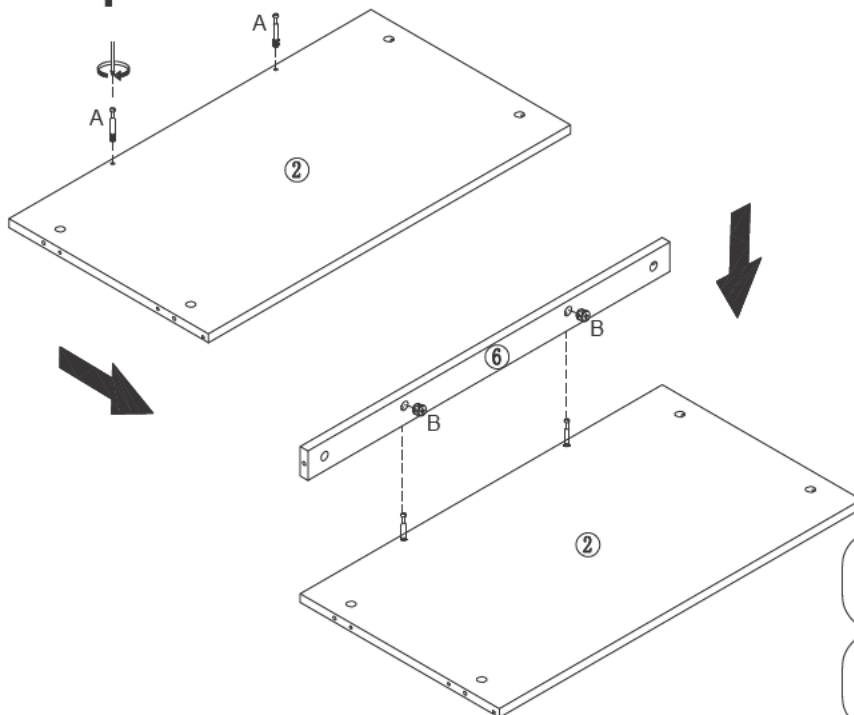


A  X 4

J  X 1

N  X 1

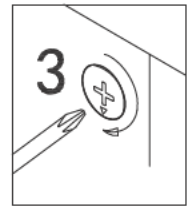
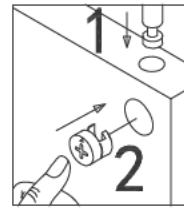
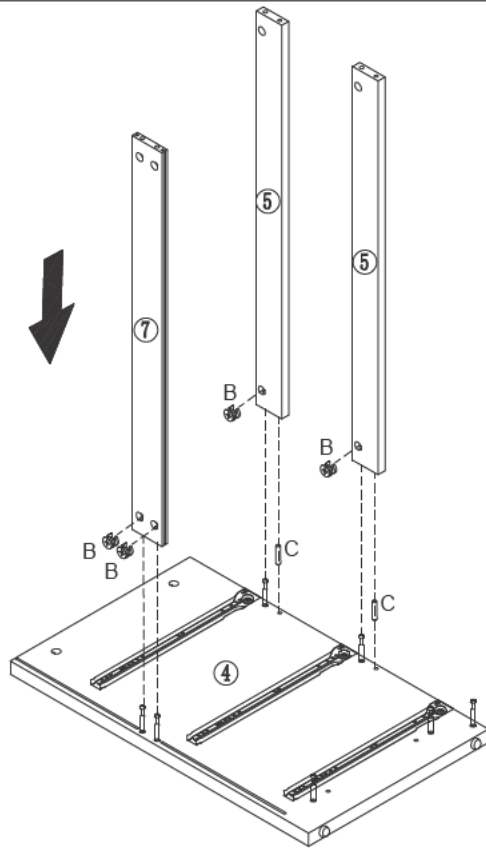
Step 6



A  X 2

B  X 2

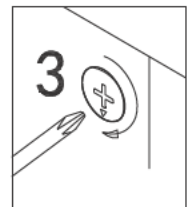
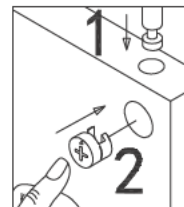
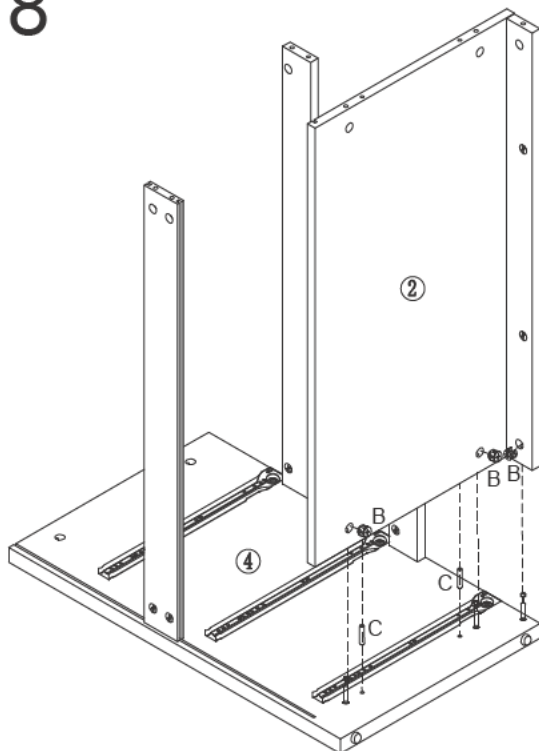
Step 7



B  X 4

C  X 2

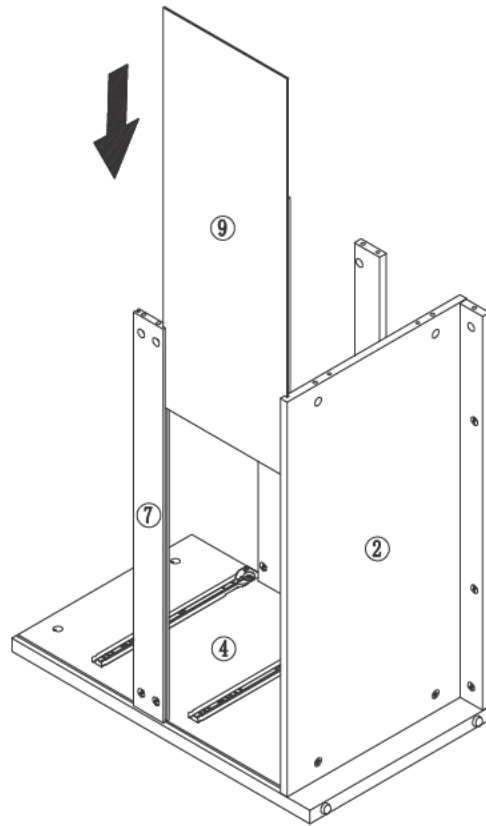
Step 8



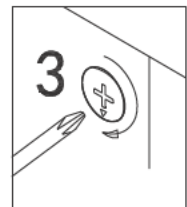
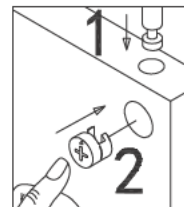
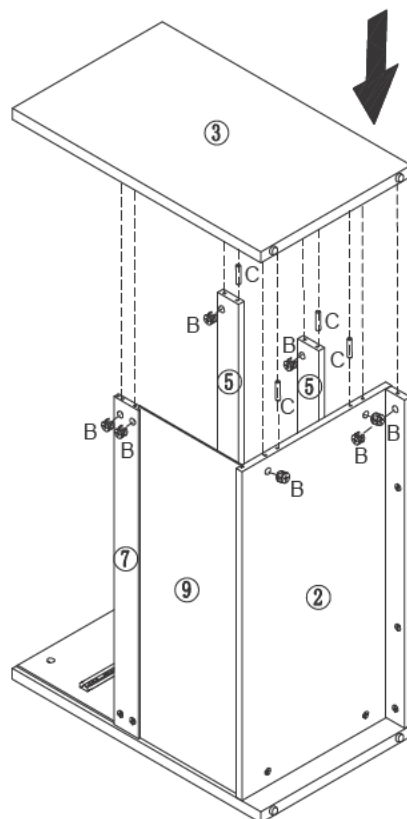
B  X 3

C  X 2

Step 9



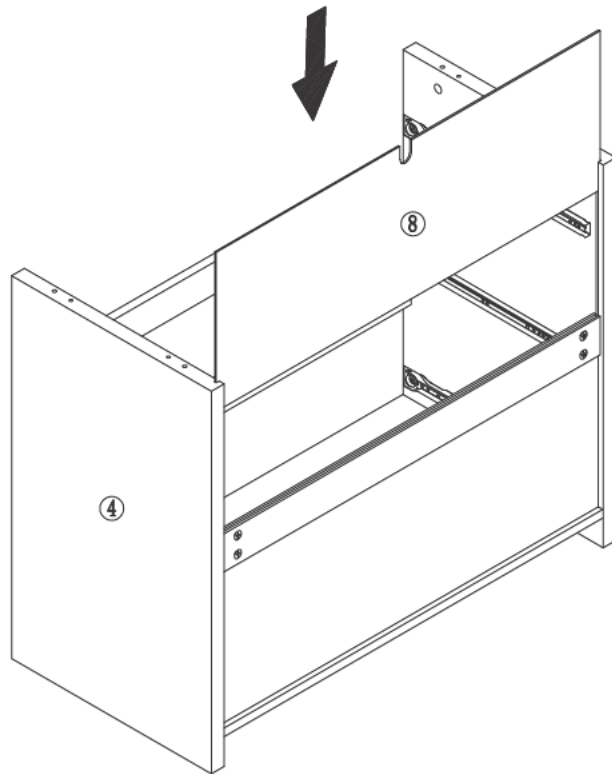
Step 10



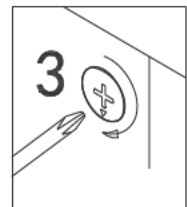
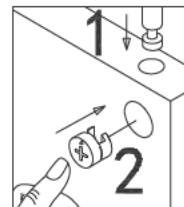
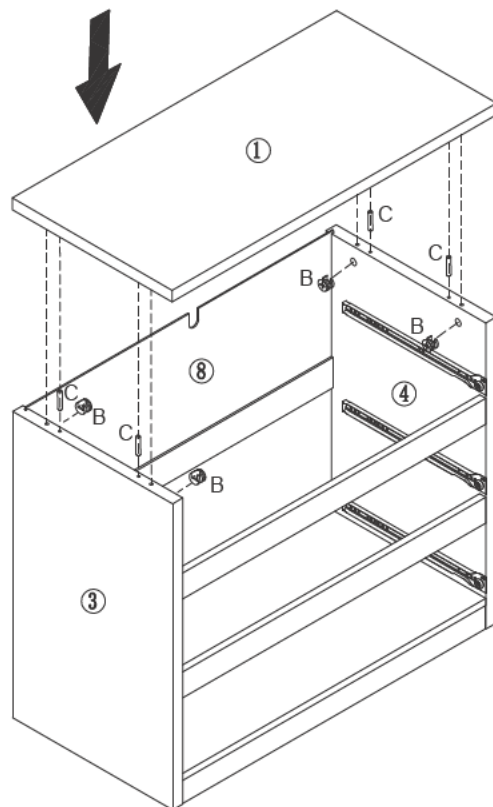
B  X 7

C  X 4

Step 11



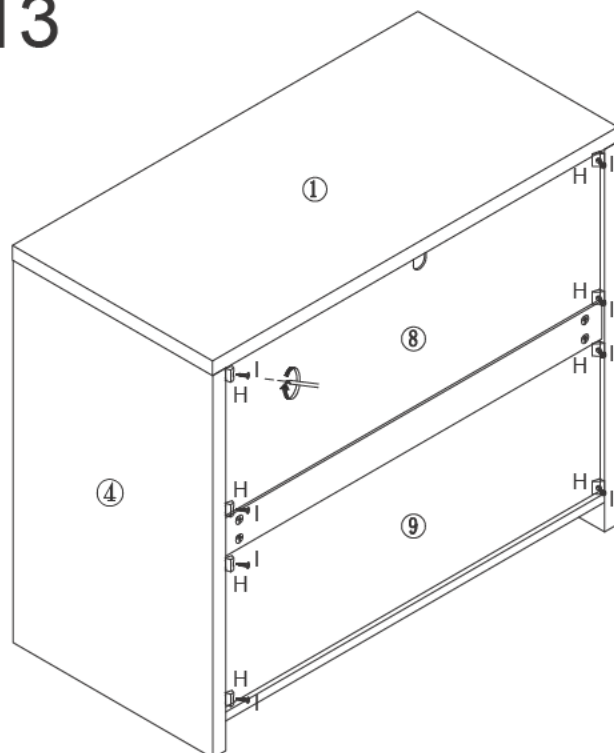
Step 12



B  X 4

C  X 4

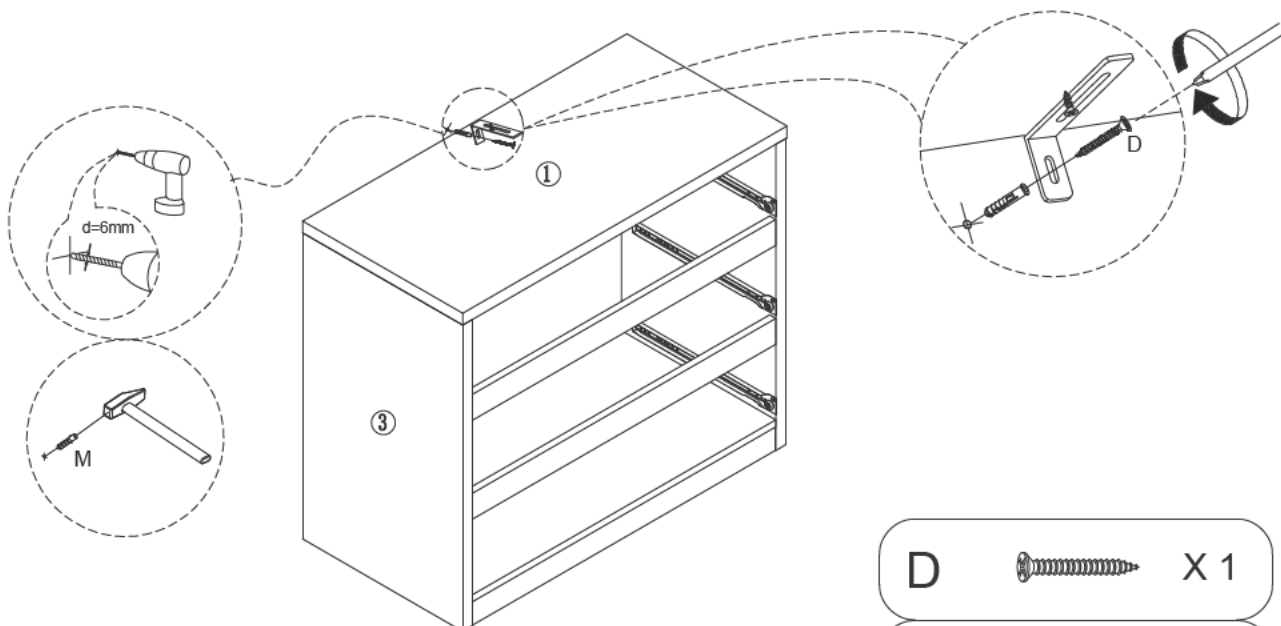
Step 13



H  X 8

I  X 8

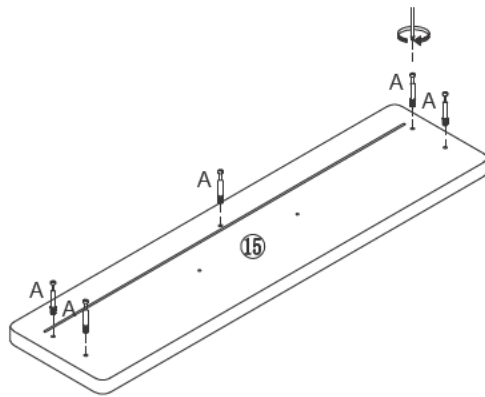
Step 14



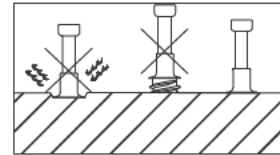
D  X 1

M  X 1

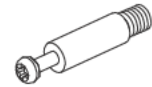
Step 15



X 3

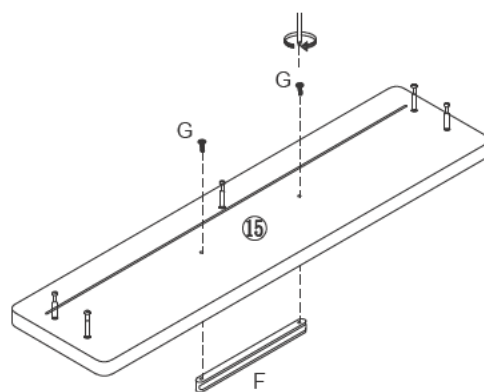


A



X 15

Step 16



X 3

F



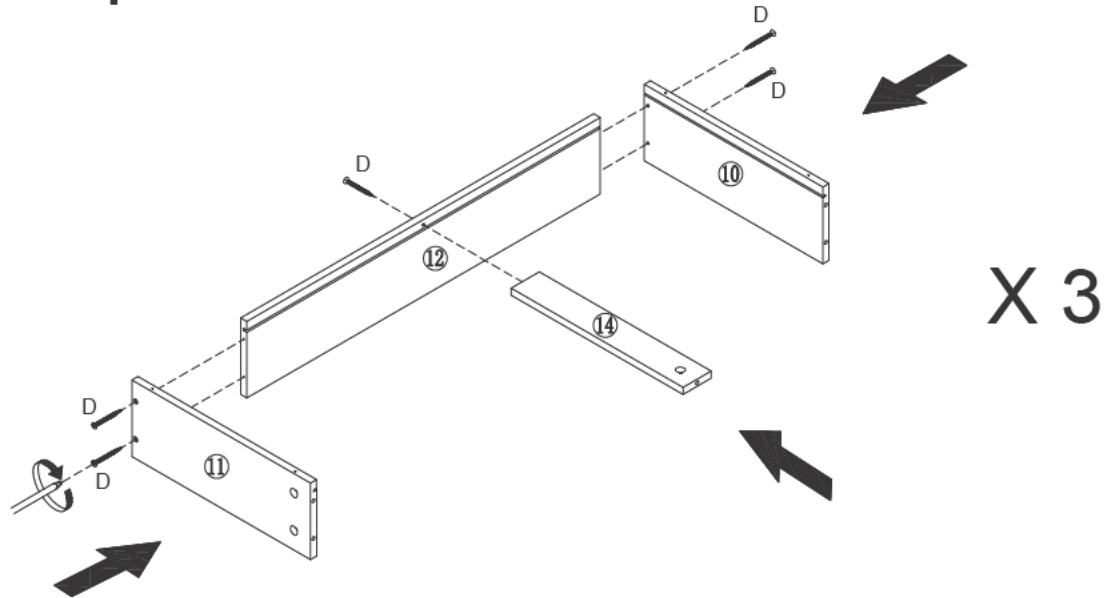
X 3

G



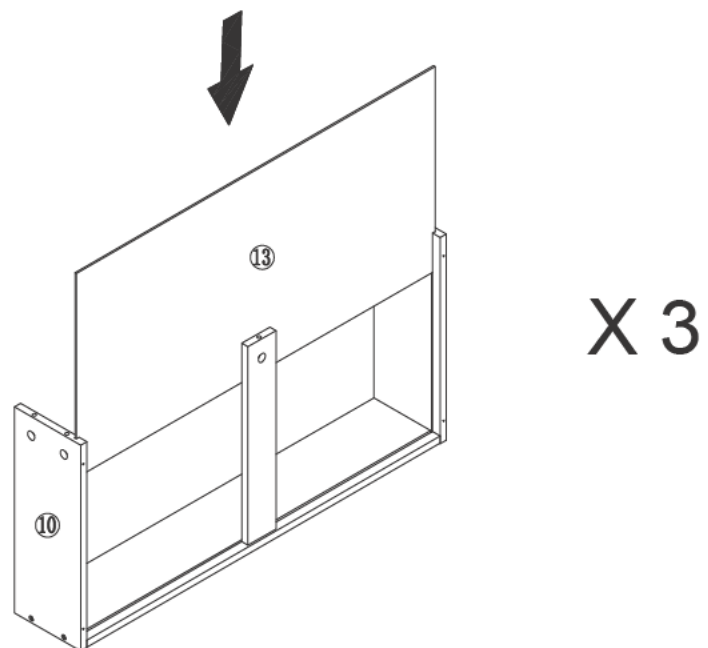
X 6

Step 17

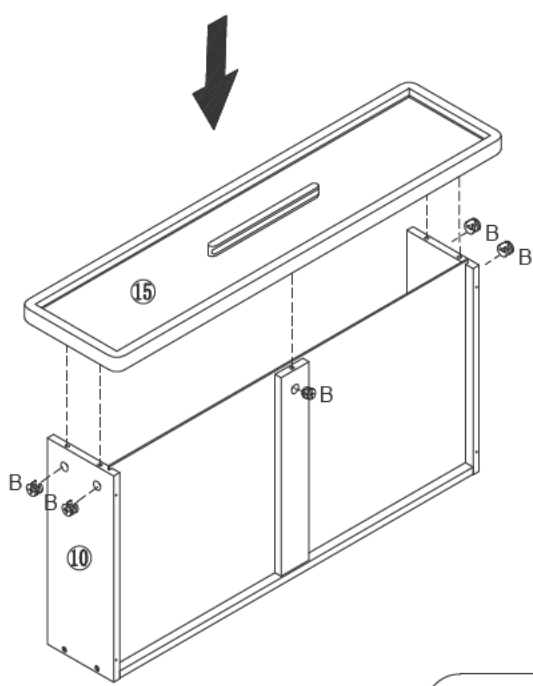


D  X 15

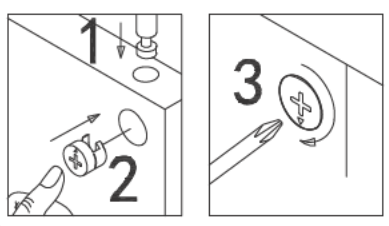
Step 18




Step 19

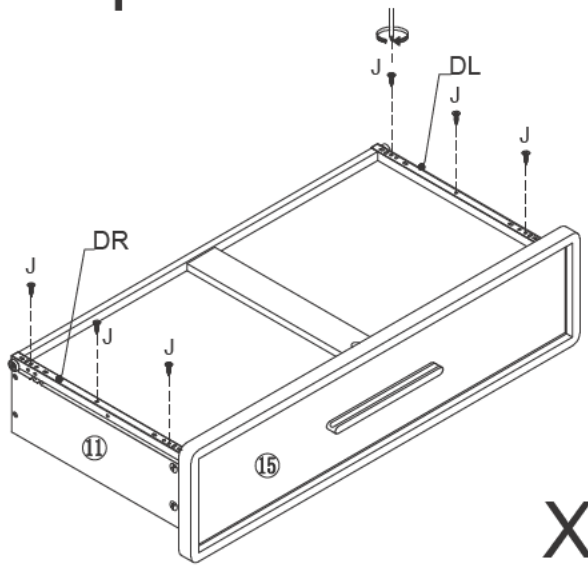


X 3

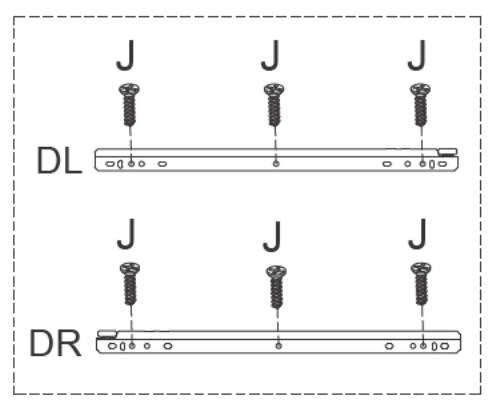



B  X 15


Step 20




X 3



J  X 18

DL  X 3

DR  X 3

Step 21

Please note that the drawers must be installed as indicated by the arrows.

