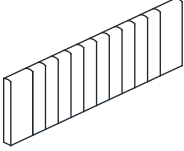
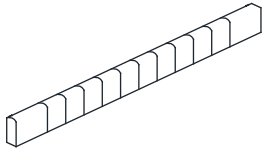

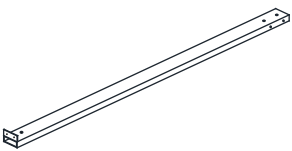
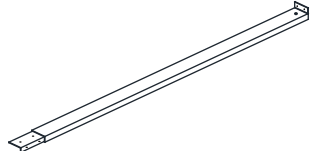
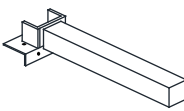
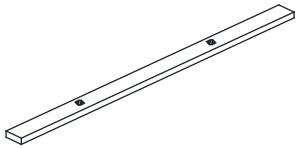

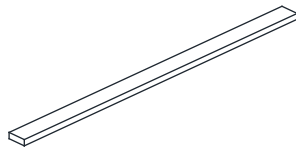
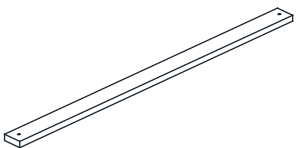
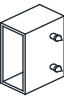
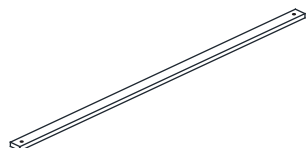
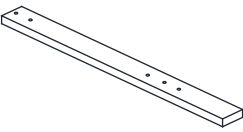




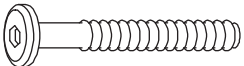
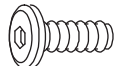
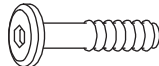
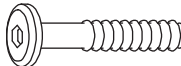







ASSEMBLY INSTRUCTION

PARTLIST

1  HEADBOARD CUSHION x1	2  FOOTBOARD CUSHION x1	3  FOOTBOARD LEG x2	5  SIDE RAIL x2	6  SIDE RAIL x2
7  SIDE RAIL LEG x2	8  SLAT WITH NUT x4	9  SUPPORT LEG WITH HANGER BOLT x8	10  SLAT x8	11  CENTER SUPPORT x4
12  SOCKET x24	13  SUPPORT RAIL x2	14  HEADBOARD LEG x2	15  SIDE RAIL COVER x2	24  VELCRO TAPE x2

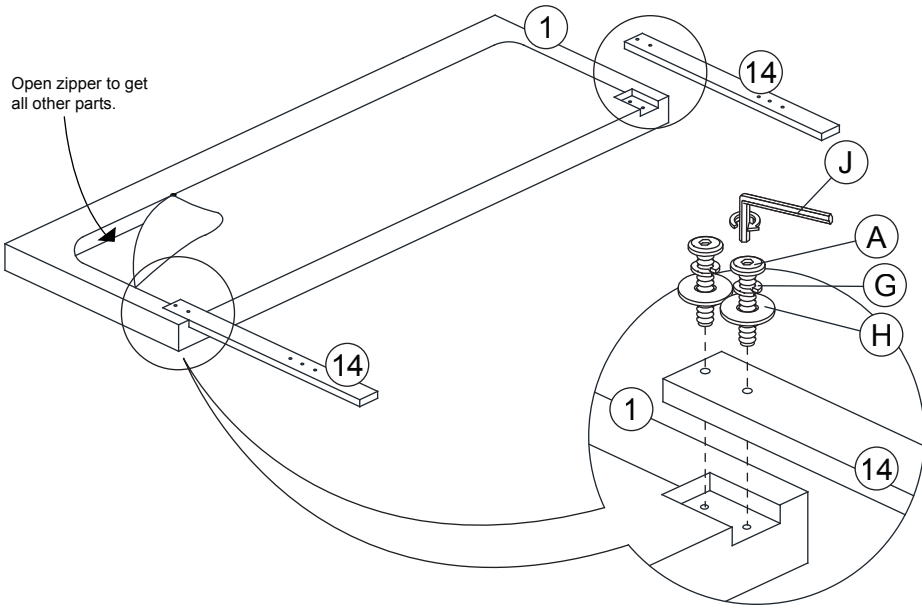
*All parts needed are shown in above picture.
Numbers only indicate the specific parts for easy assembly.

HARDWARE

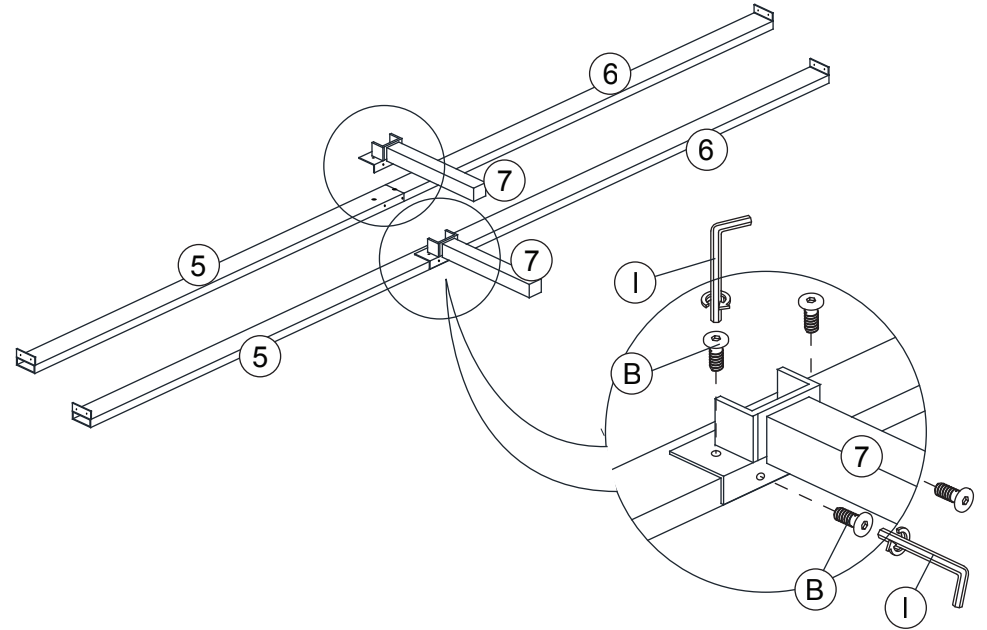
A  JCBB SCREW M8 x 40MM x4	B  JCBC SCREW M6 x 15MM x14	C  JCBC SCREW M6 x 20MM x8	D  JCBC SCREW M6 x 35MM x4	E  SPRING WASHER M6 x 12MM x4
F  FLAT WASHER M6 x 19MM x4	G  SPRING WASHER M8 x 13MM x4	H  FLAT WASHER M8 x 22MM x4	I  L - KEY M4 x 100MM x1	J  L - KEY M5 x 65MM x1
K  SUPPORT LEG ADJUSTABLE FEET x8				

ASSEMBLY INSTRUCTION

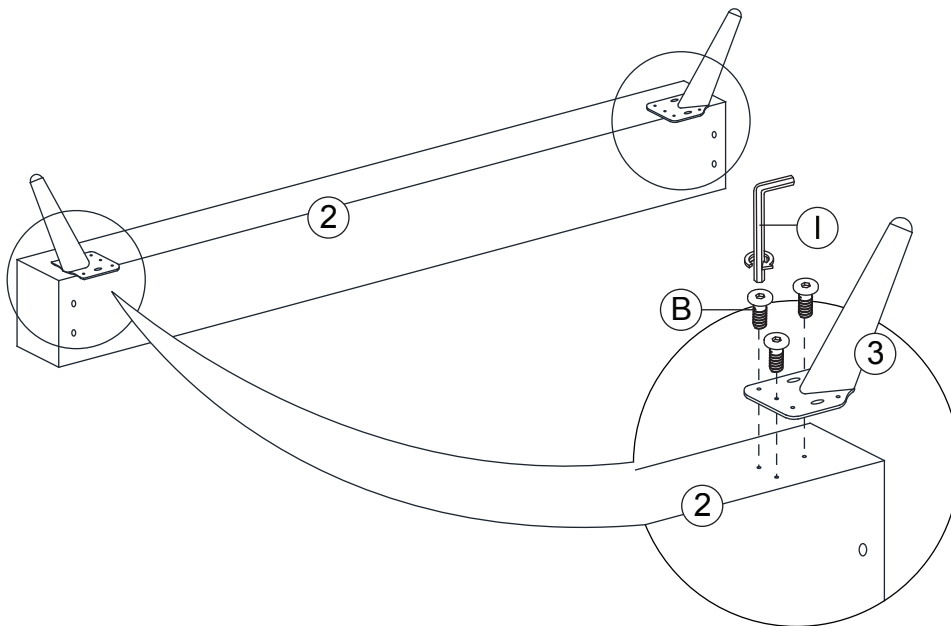
STEP 1



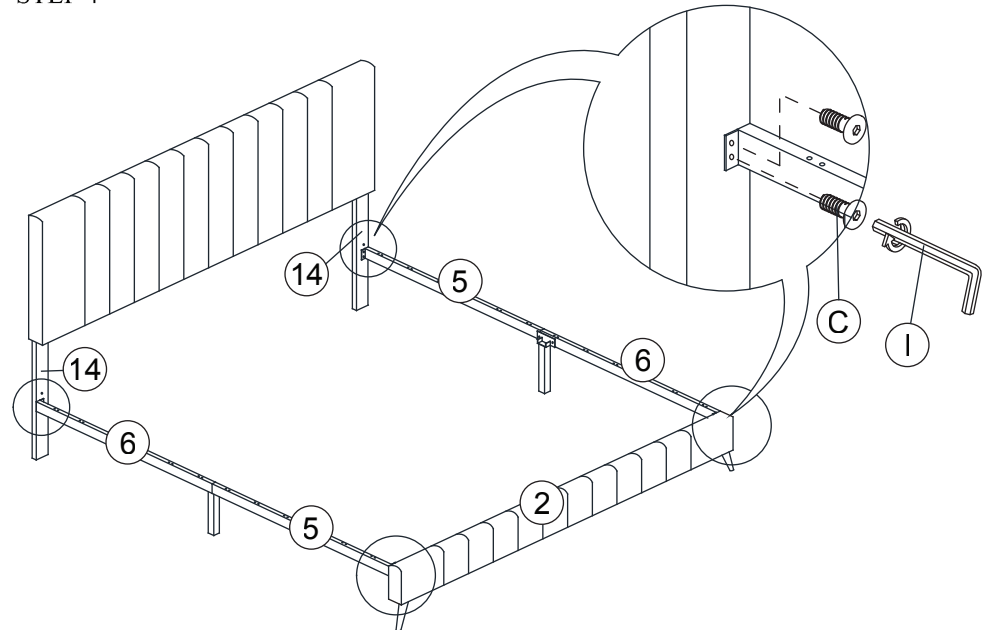
STEP 2



STEP 3

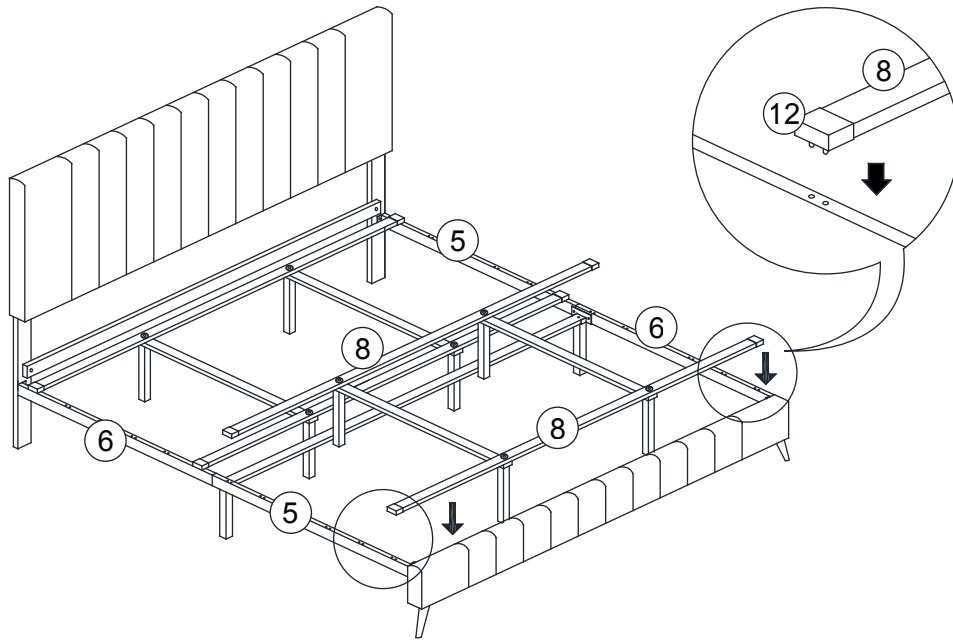


STEP 4

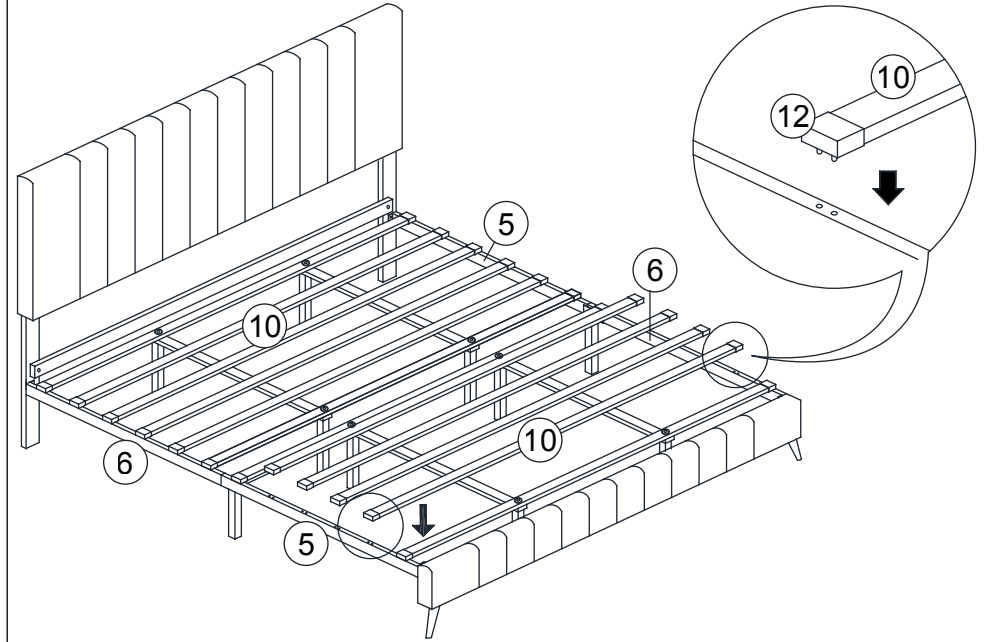


ASSEMBLY INSTRUCTION

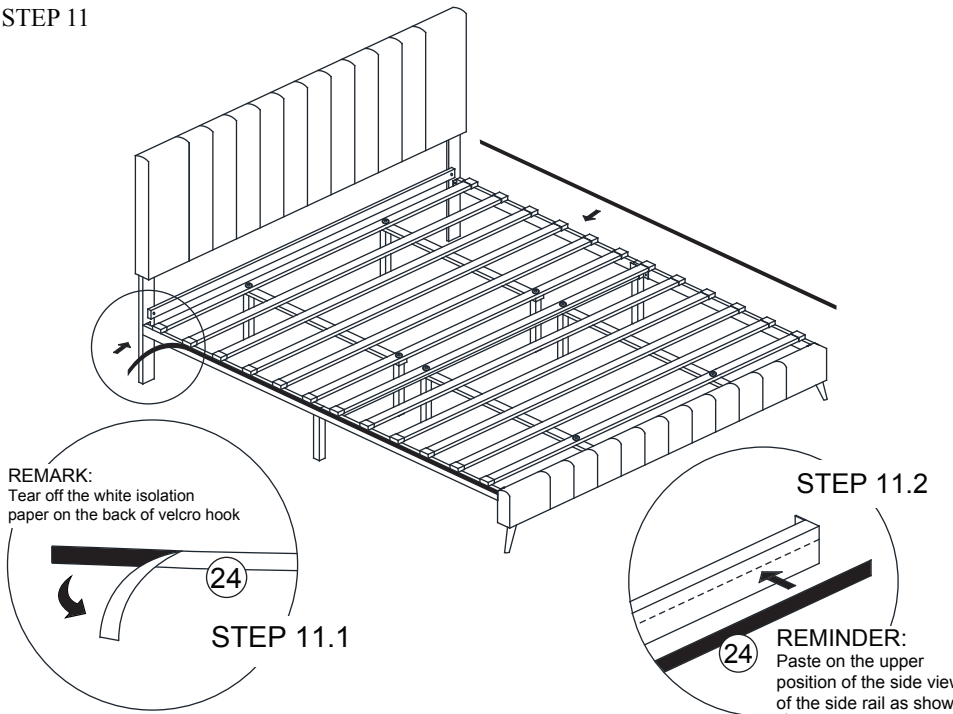
STEP 9



STEP 10



STEP 11



STEP 12

