

Bonnlo Assembly Instructions

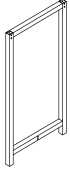
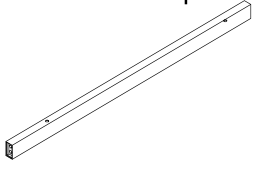
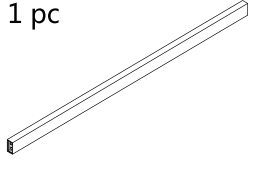

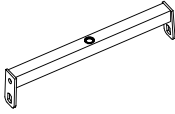
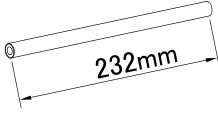
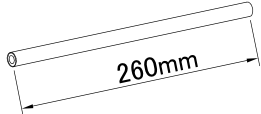
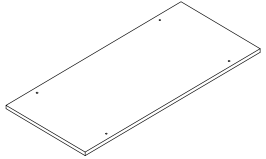
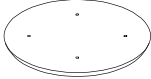
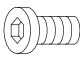
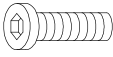




THANKS FOR YOUR PURCHASE! WE DO OUR BEST TO INSURE THAT YOUR FURNITURE ARRIVES IN EXCELLENT CONDITION. IN THE EVENT THAT A PART IS DAMAGED OR MISSING, WE WILL BE HAPPY TO PROVIDE YOU WITH REPLACEMENT PARTS, AT NO CHARGE, WITHIN 30 DAYS OF PURCHASE. IF YOU NEED ASSISTANCE WITH ASSEMBLY OR REPLACEMENT PARTS, PLEASE CONTACT US AT SUPPORT@BONNLO.COM, PLEASE ATTACH YOUR USER NAME OR ORDER ID SO THAT WE CAN ASSIST YOU BETTER.

IMPORTANT: PLEASE READ ALL THE INSTRUCTIONS BEFORE STARTING ASSEMBLY.

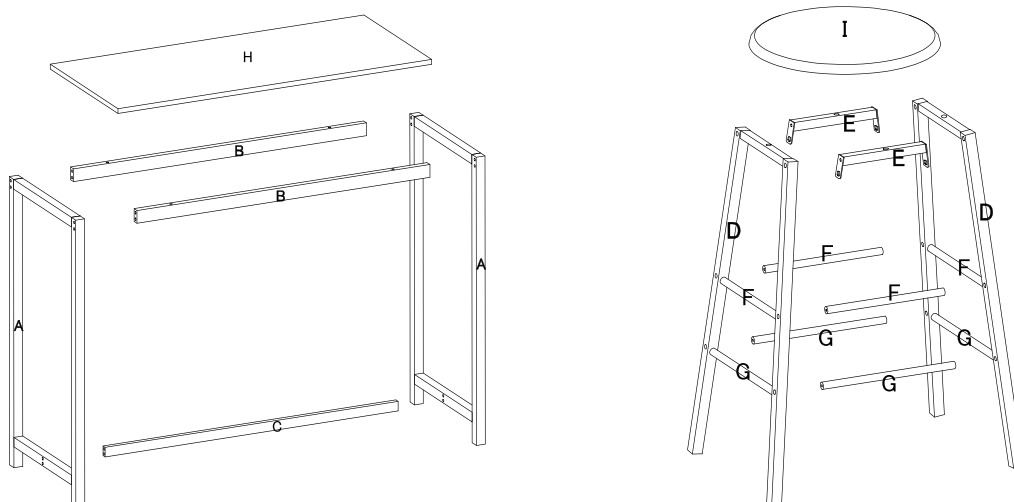
Part List

When unpacking, please be careful not to discard any parts with the packaging. Be sure to check all packing material carefully for small parts which may have come loose inside the carton during shipment. Please separate, identify, and count all parts and metal hardware. Compare with part list to be sure all parts are present. If hardware is missing or you have difficulty in assembling this product, please contact us at your earliest convenience.

<p>A--Table Leg x 2 pcs</p> 	<p>B--Table Tube x 2 pcs</p> 	<p>C--Table Supporting Rod x 1 pc</p> 	<p>D--Stool Leg x 4 pcs</p> 
<p>E--Stool Tube x 4 pcs</p> 	<p>F--Stool Supporting Rod (shorter) x 4 pcs</p> 	<p>G--Stool Supporting Rod (longer) x 4 pcs</p> 	<p>H--Table Top x 1 pc</p> 
<p>I--Stool Seat x 2 pcs</p> 	<p>J--M6*12 Screw x 8 pcs</p> 	<p>K--M6*28 Screw x 32 pcs</p> 	<p>M--M6*50 Screw x 16 pcs</p> 
<p>N--Allen Key x 1 pc</p> 			

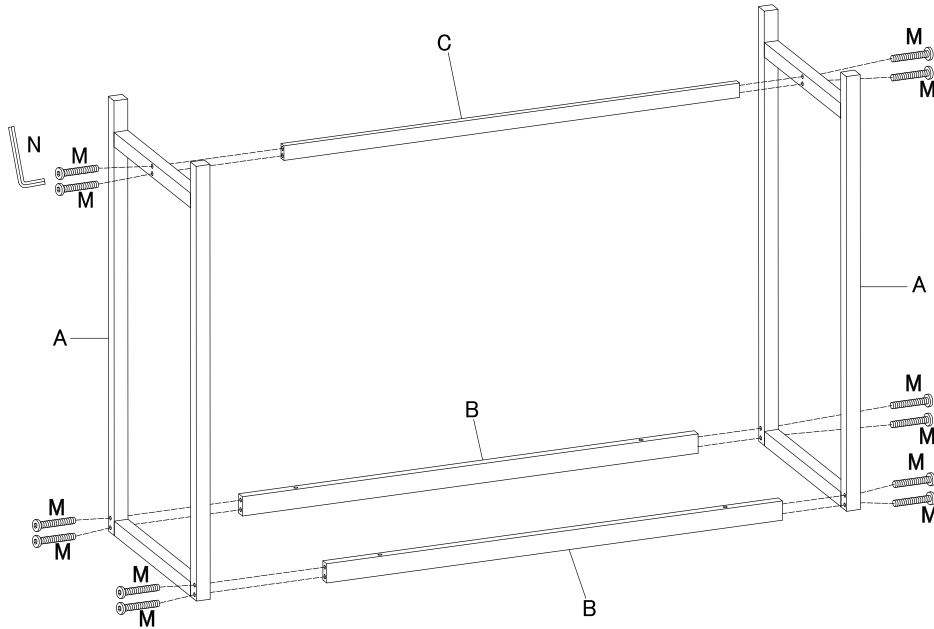
Overview

Before assembling, please make sure you have the above parts. This Dining Table with Stools has several parts and may require 2 people to assemble. To give you an overview of all parts, the following picture is to help you put the various parts into perspective. Please read through the instructions below to familiarise yourself with the parts and steps before assembly.

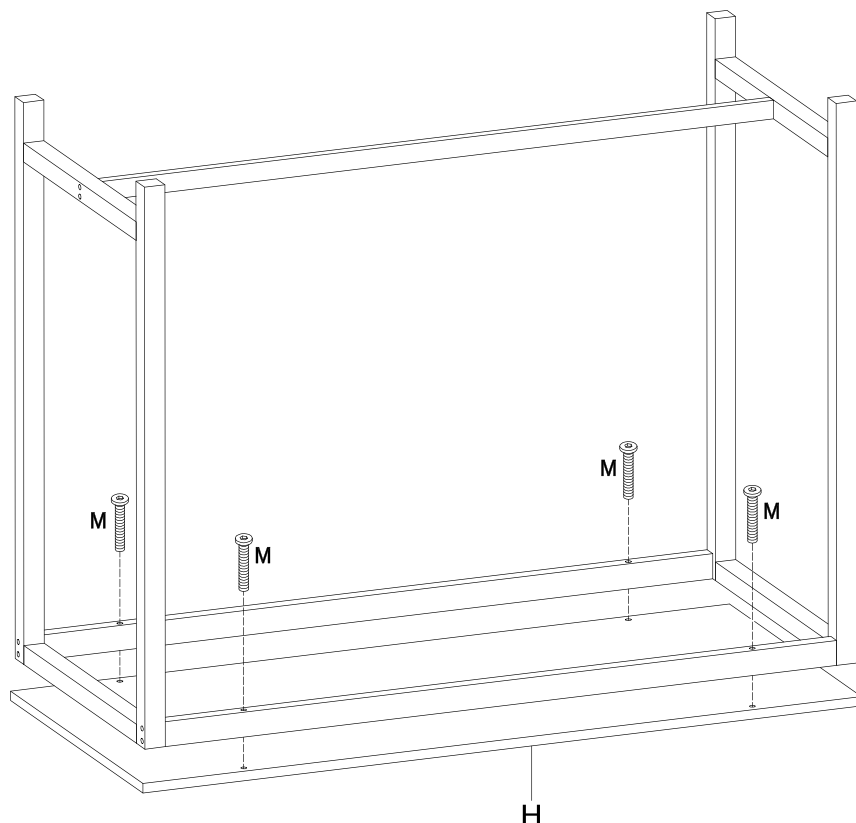


Installation Steps

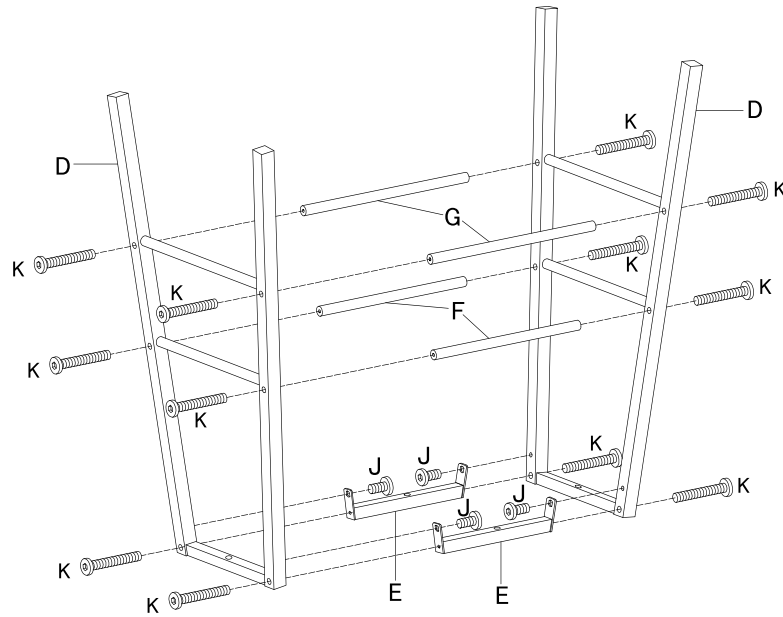
Step 1: Attach table supporting rod C and tube B to table legs A with screws M and Alley Key. Do not fully tighten each screw after you put in, after you attach all the screws, tighten them back and forth to make sure the legs are even.



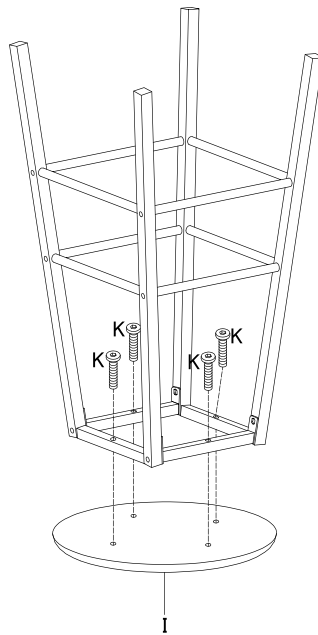
Step 2: Place the tabletop on a clean and smooth surface to avoid the table from being scratched. Attach frame (from step 1) to table top H with screw L and Allen Key.



Step 3: Attach stool tube E, supporting rod F&G to stool legs D with screw L and allen key.



Step 4: Attach stool seat I to the frame (from step 3) with screw K and allen key.



Caution: Inspect and make sure all parts are connected, then the dining table and stool is ready to use. If the table or stool wobbles, loosen the parts and try to assemble again. Our table set can only be used on a flat, level surface. For better use, we may advise you tighten all the screws every few months.

If you are satisfied with our product, share your shopping experience with your friends and families. For any questions or feedbacks, please email us with your Order ID at support@bonnlo.com, we are always striving to improve.