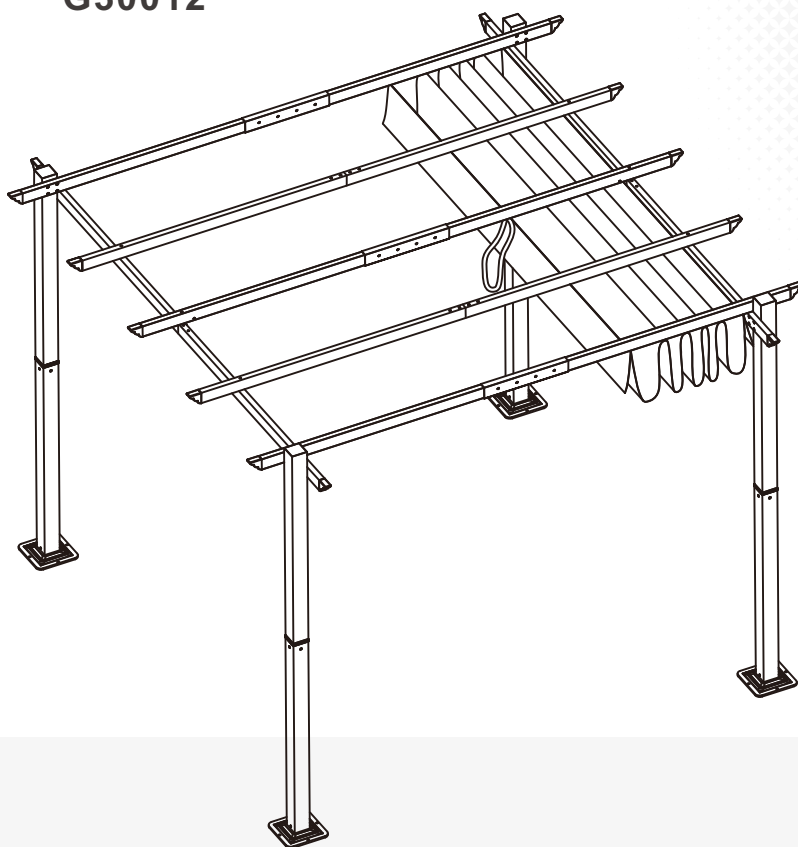


# INSTRUCTION MANUAL

Pergola Canopy

G30012



Pergola Canopy G30012

We offer a diverse range of products to meet the needs of customers.

## Outdoor Furniture

---

We are a professional furniture provider with top-notch factories and outstanding designs, Our mission is to provide consumers with new lifestyles. By collecting consumer feedback, we constantly improve our products and create more choices for consumers. If you want to create your space, We are an ideal choice.

---

Always.

---



# WARNING

Ensure that all parts  
and hardware are  
available before  
beginning assembly

## WARNING

- In case of windy weather, please do not stand in the pergola.
- Please do not stand under the pergola in case of heavy snowfall.
- For safety, please use expansion screws to reinforce the posts to the ground.
- In extreme weather conditions, you can use a rope to pull the four corners of the pergola to keep it stable.
- Please clear the snow off the roof in time for the heavy snowfall.
- Make sure all screws are tightened before use.
- Repeat to confirm all screws, buckles and straps every 90 days.
- Please keep all screws loose during the assembly process and tighten them after completing the installation.
- Do not use or store next to a pole with an open flame or flammable chemicals.
- Please note that some parts have sharp edges and should be handled with gloves.
- If any parts are missing, broken, damaged or worn, discontinue use of the product until repairs are made or factory replacement parts are installed.
- Installation of the product in a manner that does not conform to the manufacturer's instructions may result in the loss of the warranty policy for this product.

## CALIFORNIA PROPOSITION 65

WARNING: This product can expose you to Carbon monoxide, which is known to the State of California to cause birth defects or other reproductive harm. For more information go to [www.P65Warnings.ca.gov](http://www.P65Warnings.ca.gov)

# TOOLS REQUIRED

## EQUIPMENT REQUIRED (Not included in boxes)

\*NOTE: Tools / equipment are not shown to actual size and scale.



**LEVEL**



**RUBBER MALLET**



**PHILLIPS SCREW**



**DRILL**



**ALLEN KEY**

## EQUIPMENT REQUIRED (Not included in boxes)

\*NOTE: Equipment are not shown to actual size and scale.



**SAFETY HAT**



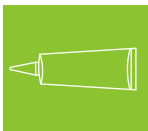
**GLOVES**



**SAFETY GOGGLES**



**STEPLADDER**  
(6.5Ft Or More)



**GLUE**

## Matters needing attention



**Three or more people are required for assemblee**



**Do not fully tighten screws prior to complete assembly**

# PARTS

A



4 PCS

A1



2 PCS

A2



2 PCS

B



2 PCS

B1



2 PCS

C



2 PCS

C1



2 PCS

D



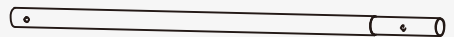
4 PCS

E



2 PCS

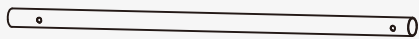
F



5 PCS

# PARTS

F1



5 PCS

G



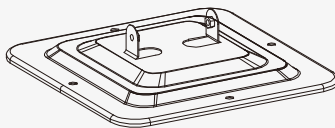
3 PCS

H



15 PCS

L



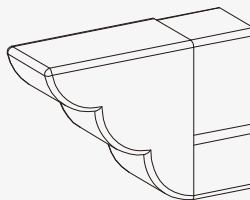
4 PCS

M1



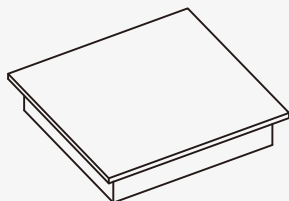
1 PC

M2



14 PCS

M3



4 PCS

M4



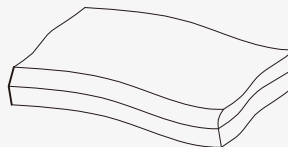
2 PCS

P



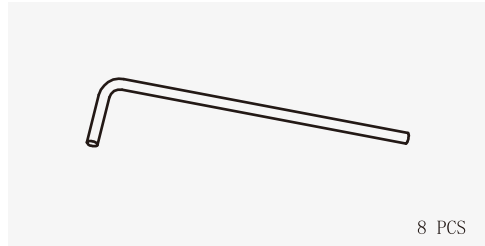
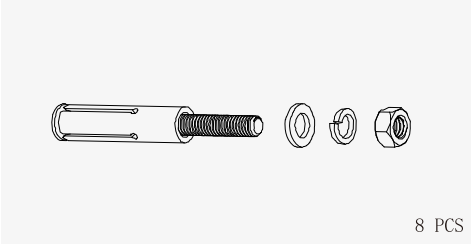
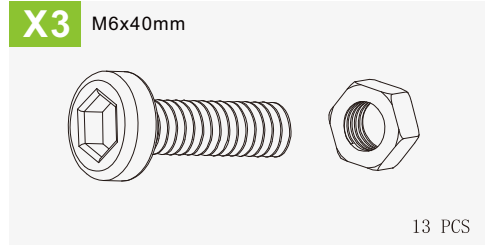
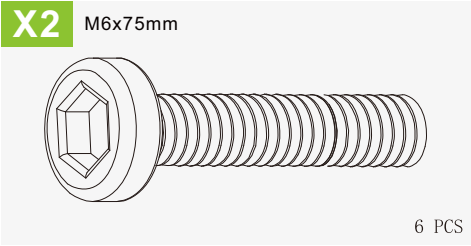
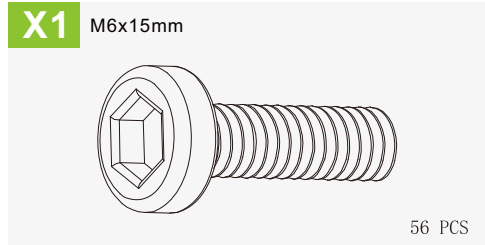
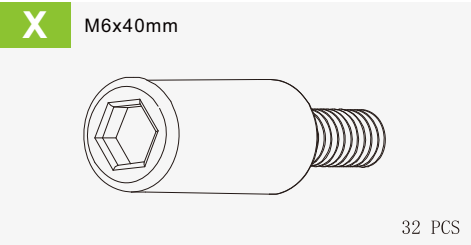
4 PCS

Z

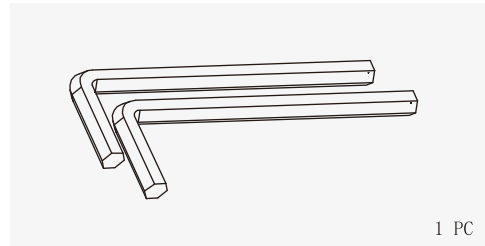
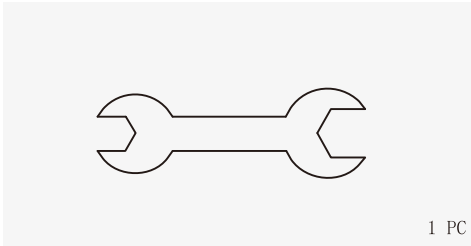


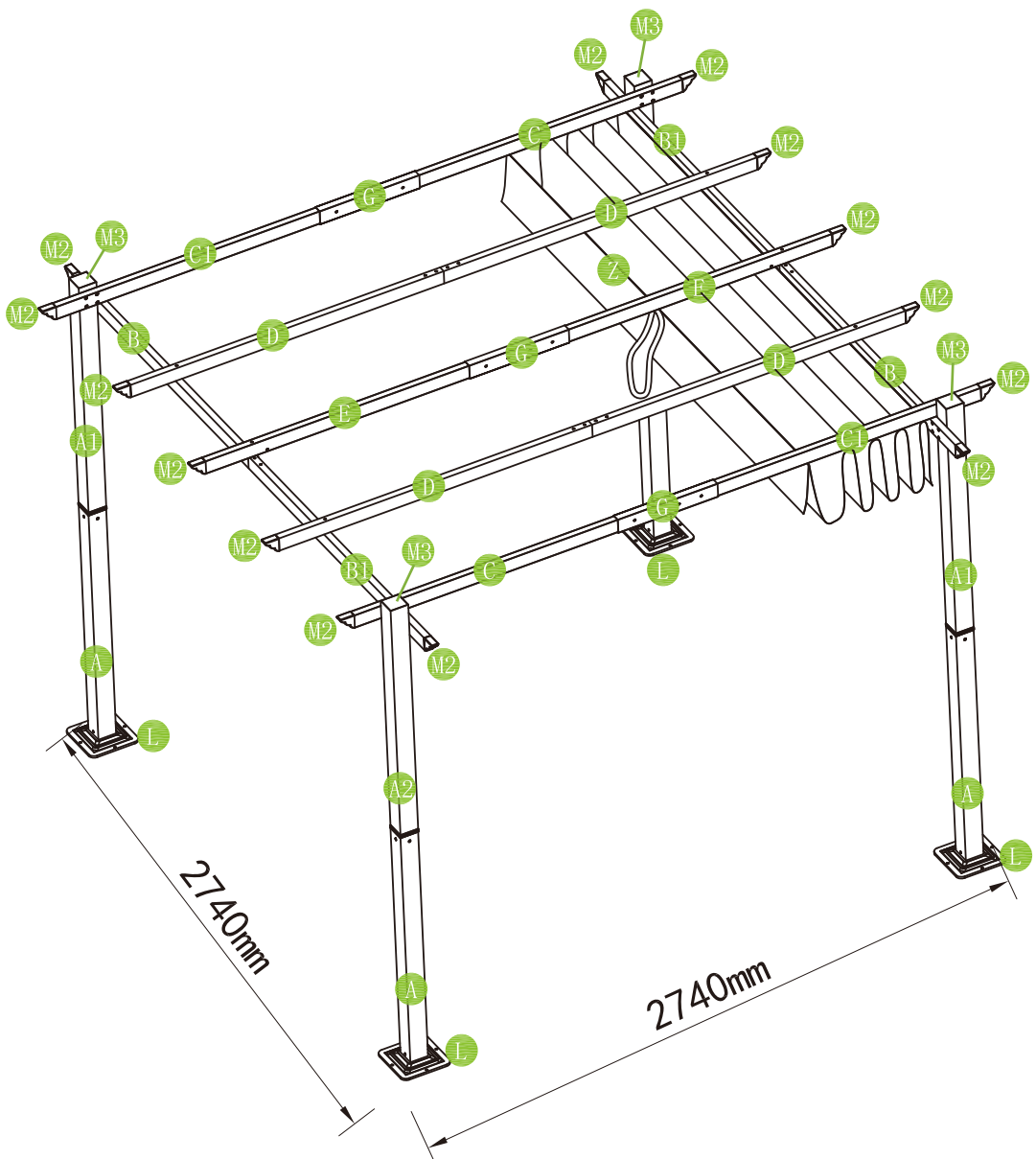
1 PC

# HARDWARE



# TOOLS





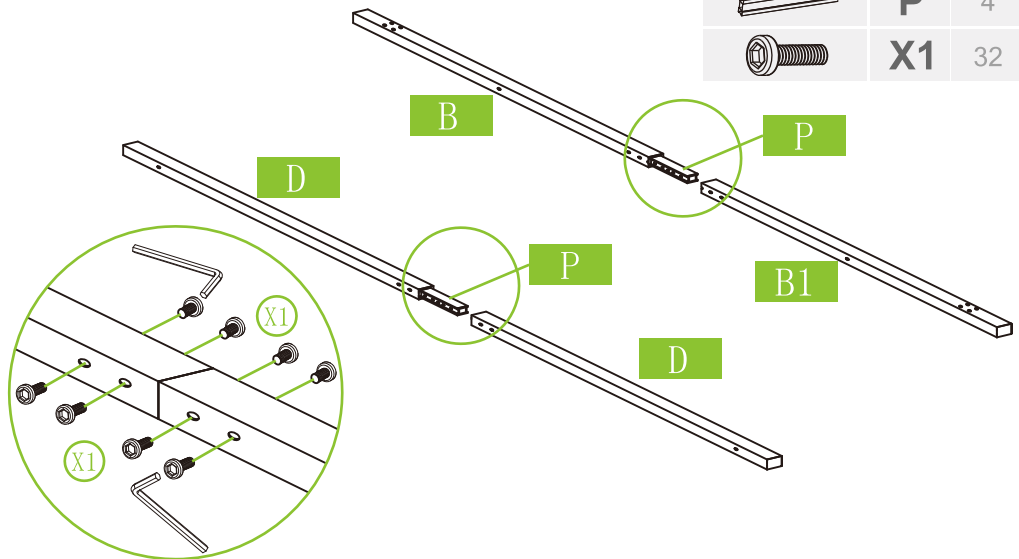


# PRODUCT ASSEMBLY

**1**

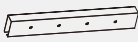
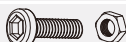
CONNECT (B, B1) (D, D) WITH P, THEN FIXED BY SCREW X1 .

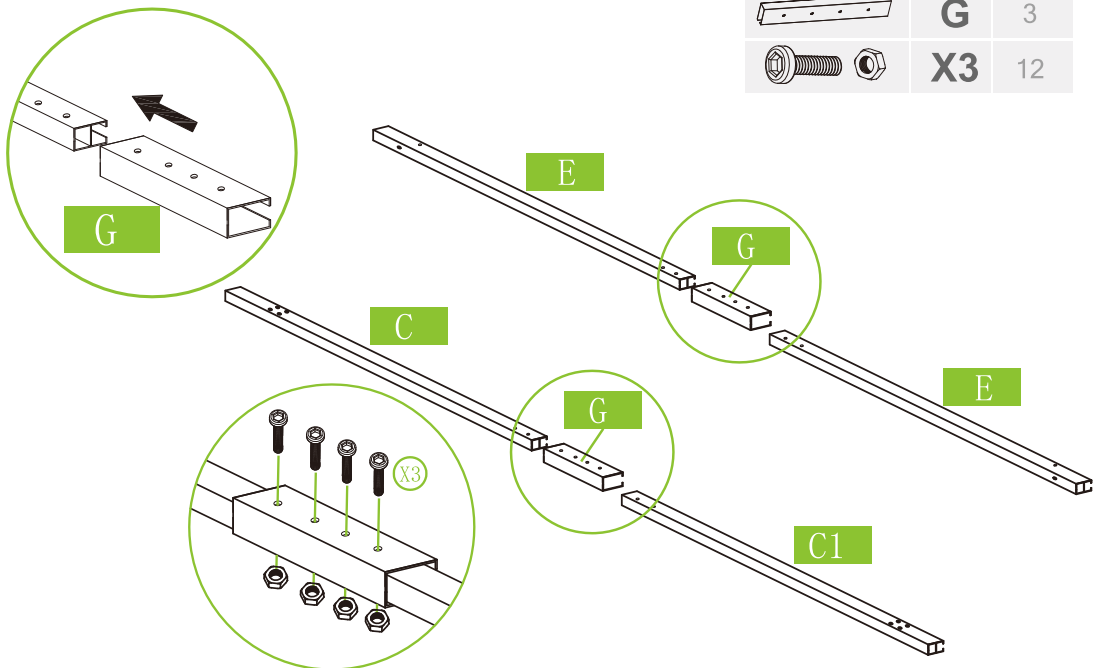
PART	NO.	QTY.
	<b>P</b>	4
	<b>X1</b>	32



**2**

CONNECT (C, C1) (E, E) WITH G, THEN FIXED BY SCREW X3

PART	NO.	QTY.
	<b>G</b>	3
	<b>X3</b>	12

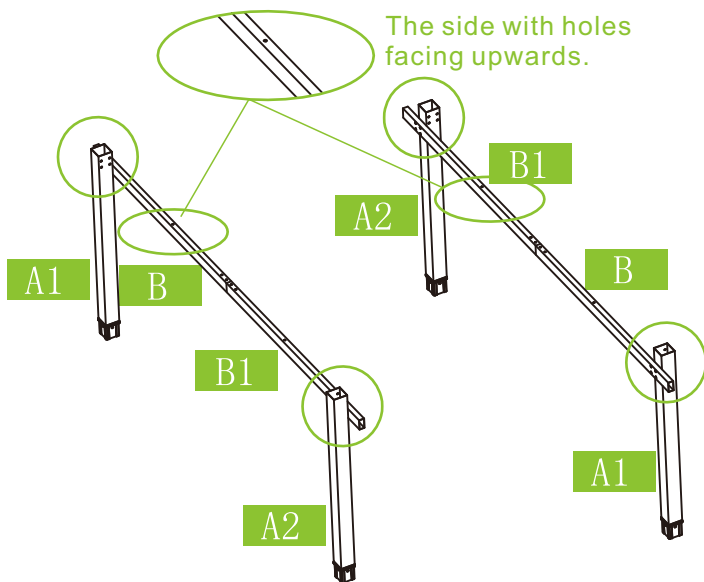


# PRODUCT ASSEMBLY

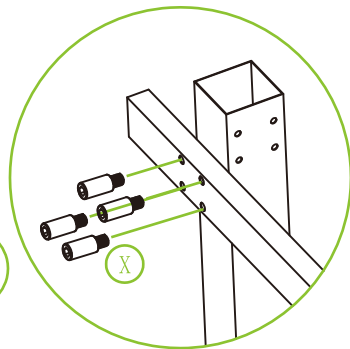
**3**

CONNECT (A1, B) (A2, B1) WITH SCREW X.

The side with holes facing upwards.

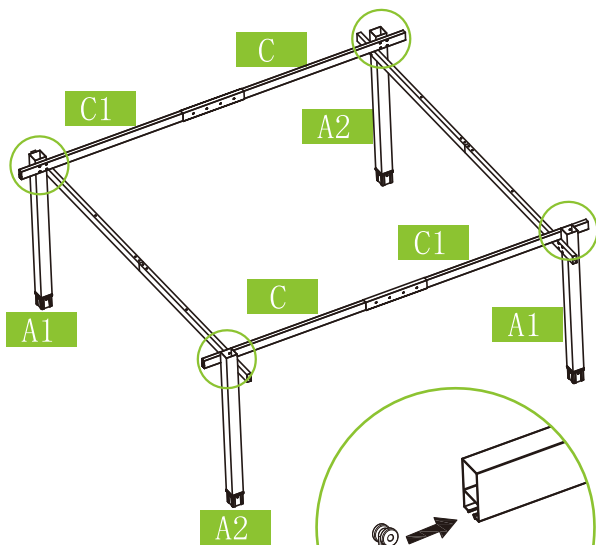




PART	NO.	QTY.
	<b>X</b>	16

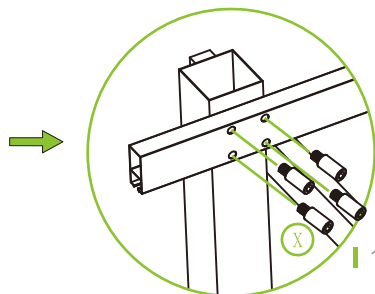
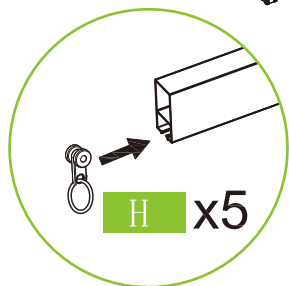


**4**

PUT PULLEY H INTO CHUTE (C/C1), CONNECT (A1, C1) (A2, C) WITH SCREW X.







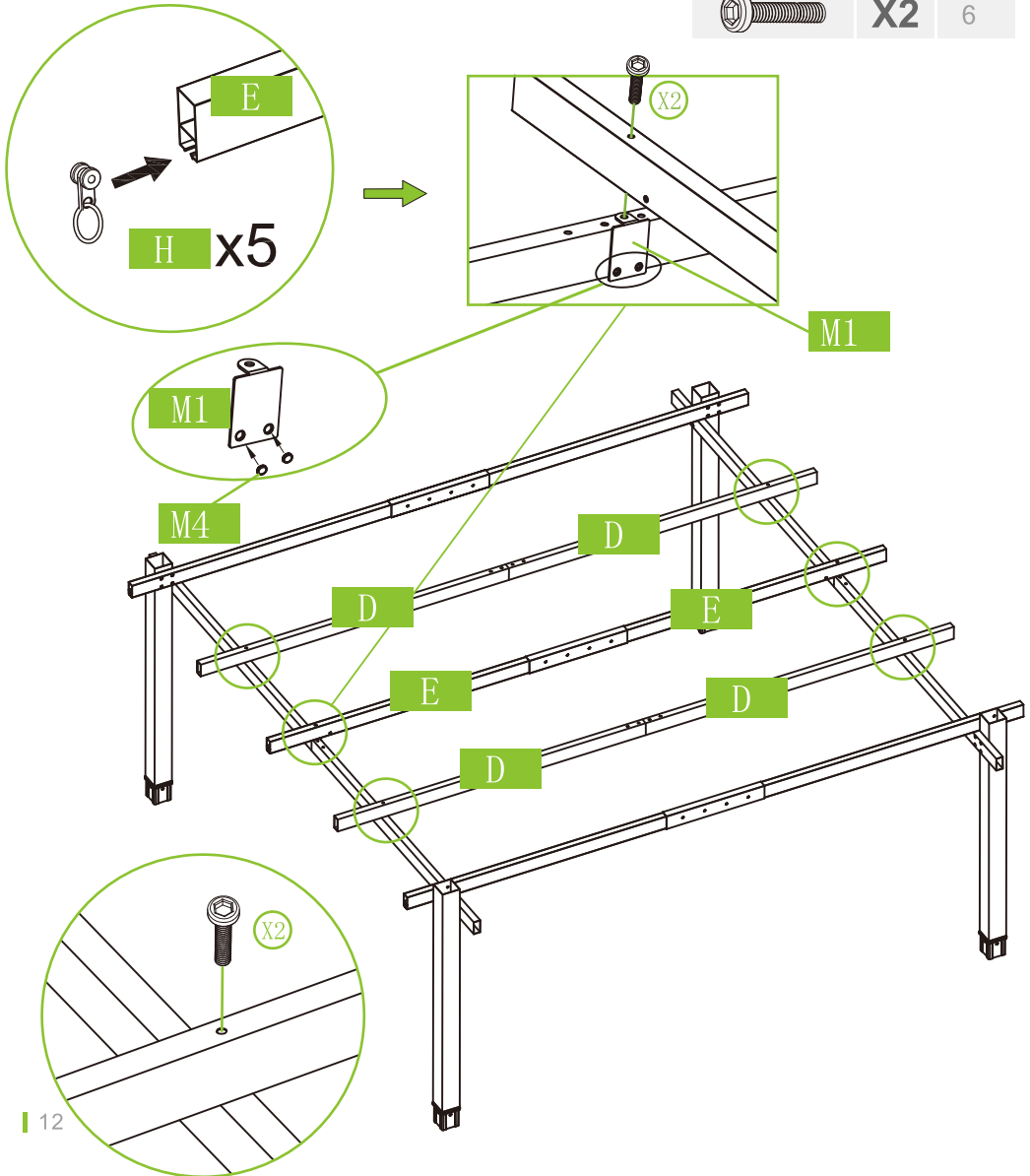
PART	NO.	QTY.
	<b>X</b>	16
	<b>H</b>	10



# PRODUCT ASSEMBLY

**5** PUT PULLEY H INTO CHUTE E, THEN CONNECT (E, M1) WITH SCREW X2.

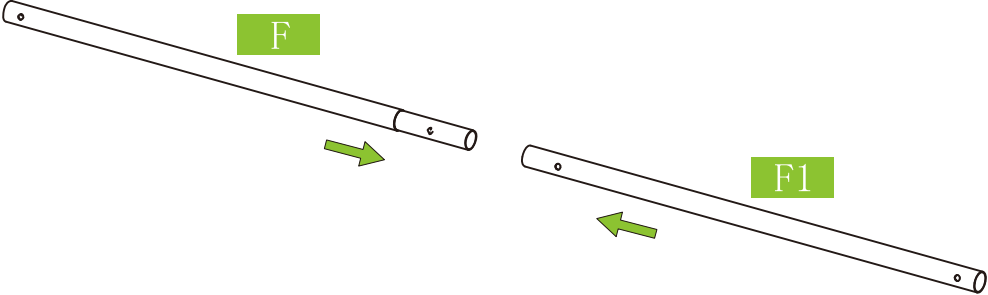
PART	NO.	QTY.
	<b>H</b>	5
	<b>M1</b>	1
	<b>M4</b>	2
	<b>X2</b>	6



# PRODUCT ASSEMBLY

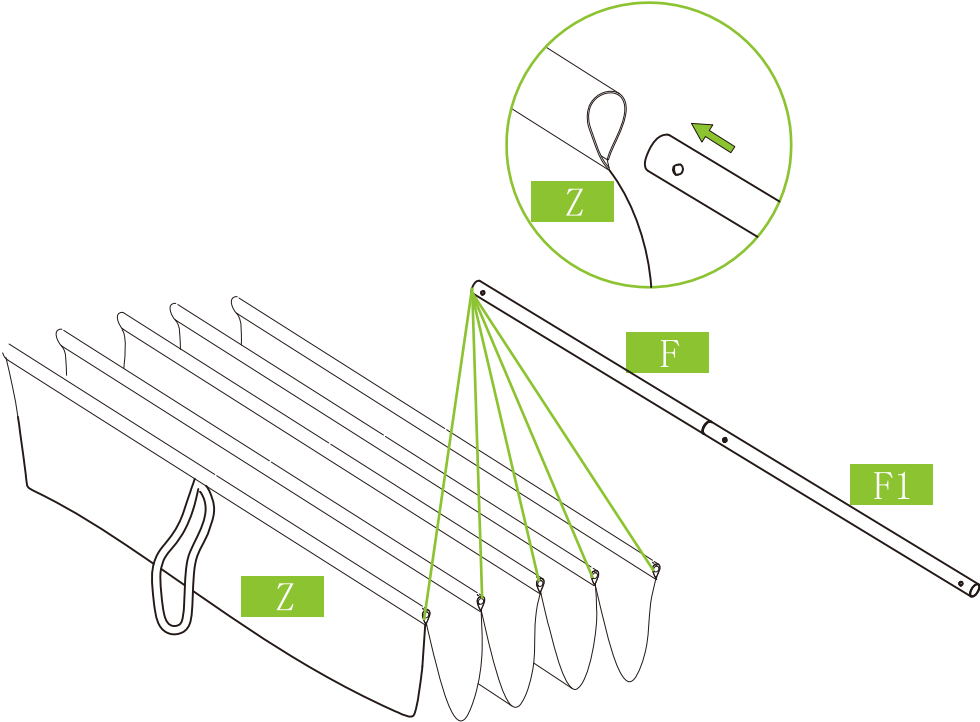
6

CONNECT (F, F1)



7

(F/F1) CROSS Z.

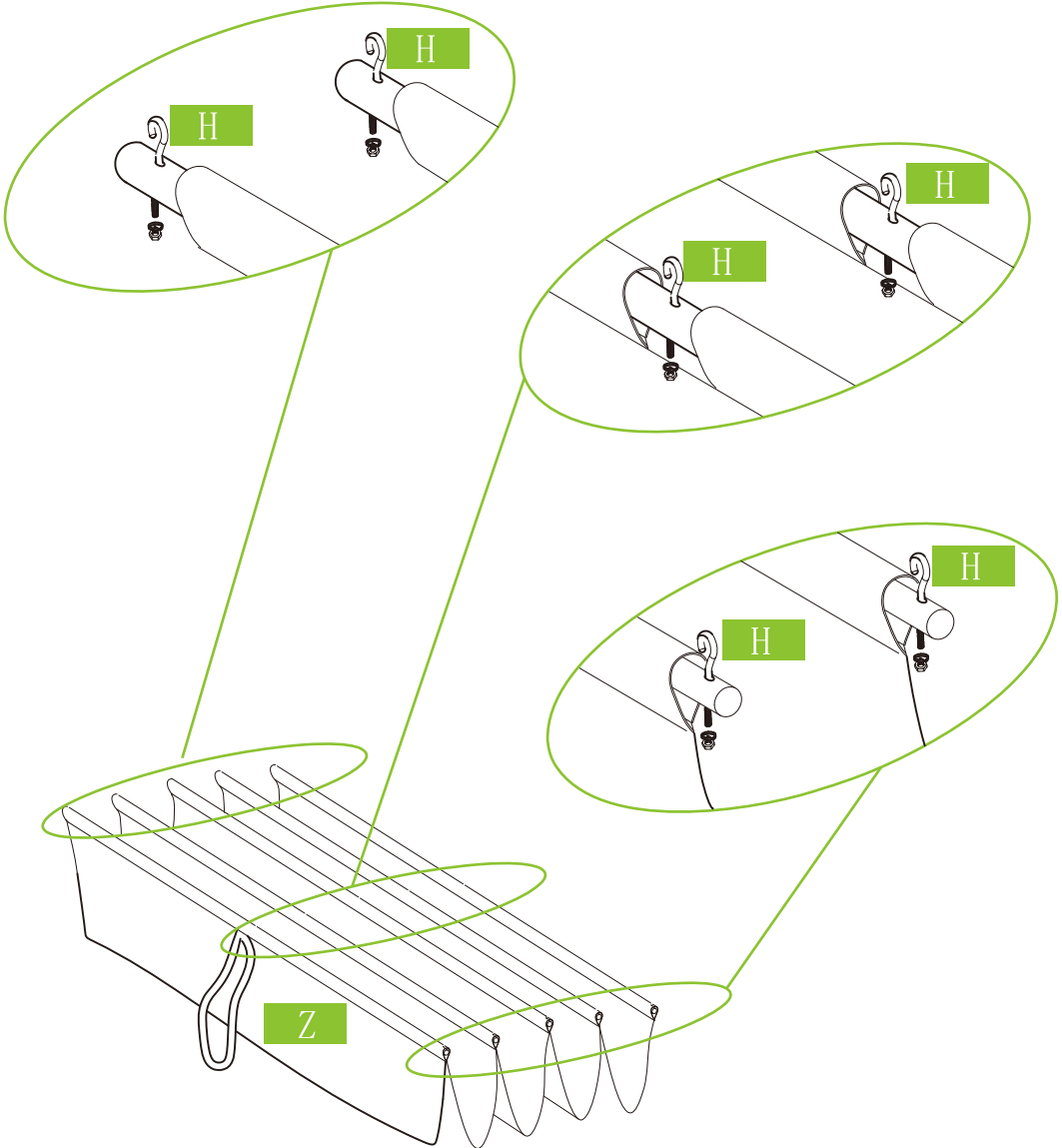


# PRODUCT ASSEMBLY

8

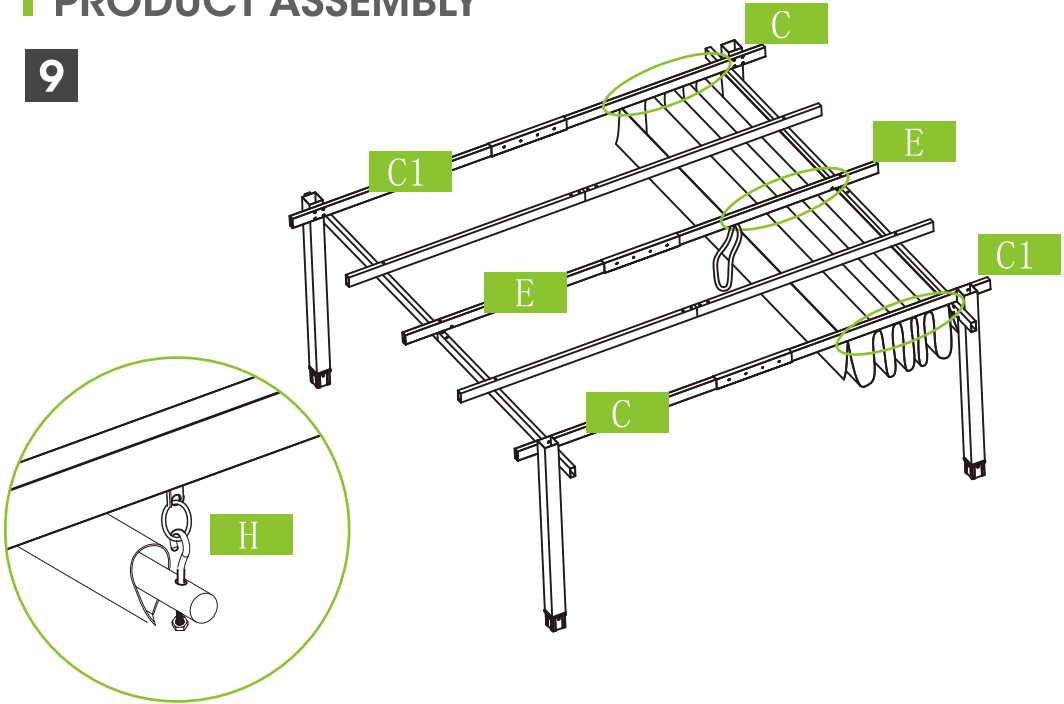
INSTALL H ON (F,F1).

PART	NO.	QTY.
	H	15




# PRODUCT ASSEMBLY

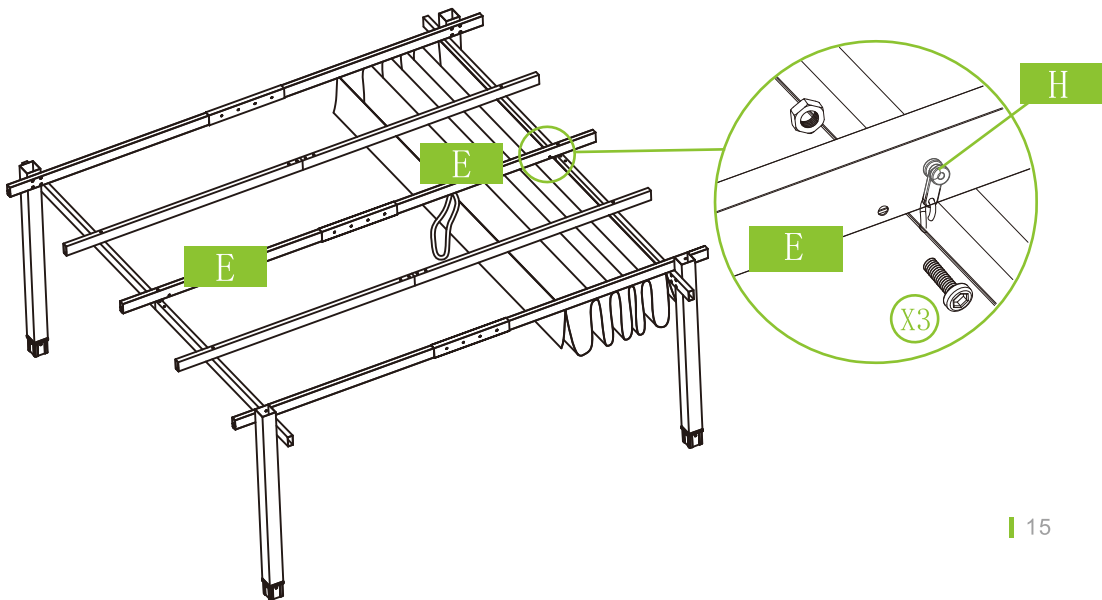
9



10

USE SCREW X3 TO IMMOBILIZE AN H.



PART	NO.	QTY.
	<b>X3</b>	1

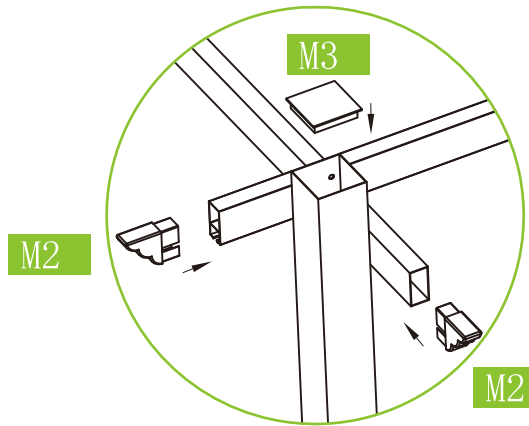
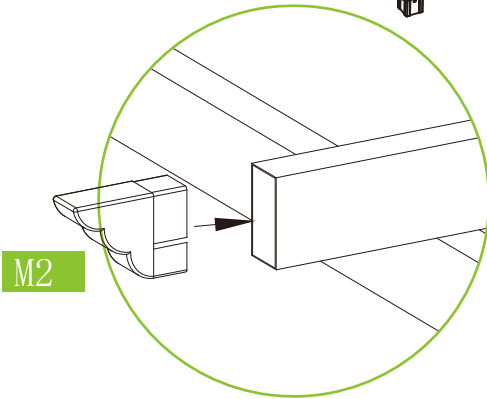
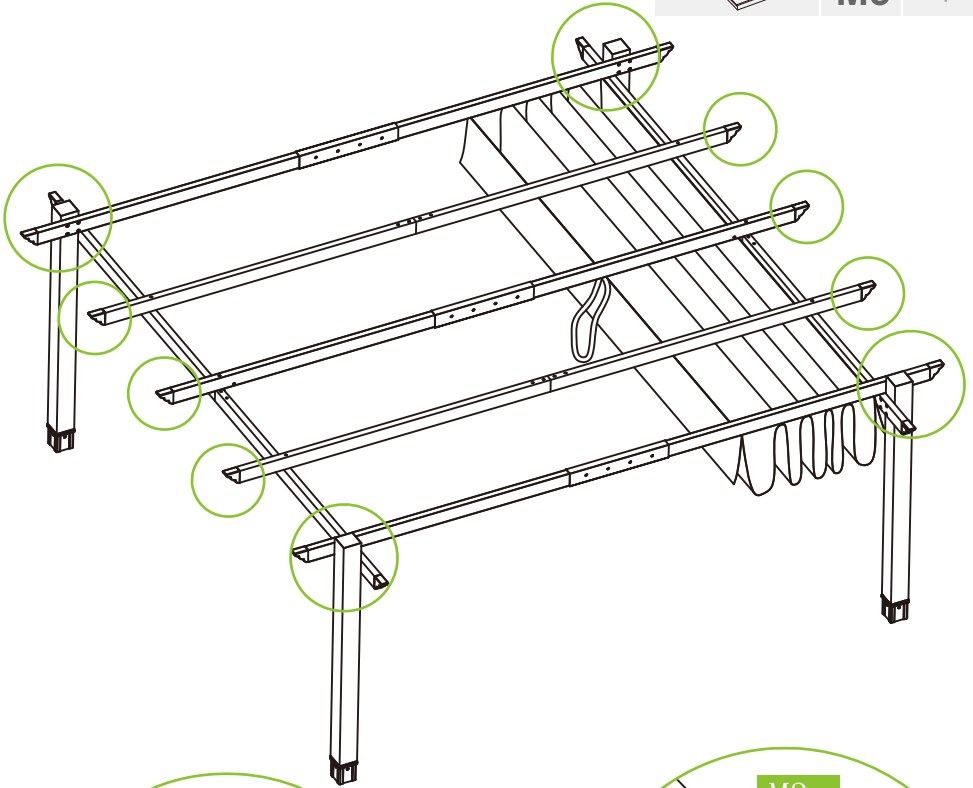


# PRODUCT ASSEMBLY

11

INSTALL (M2 M3) SHOWN HERE



PART	NO.	QTY.
	<b>M2</b>	14
	<b>M3</b>	4

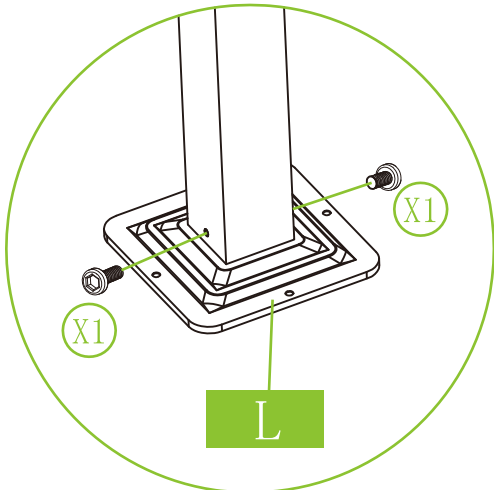
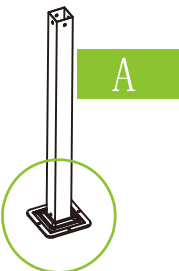
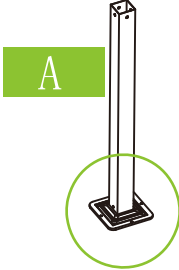
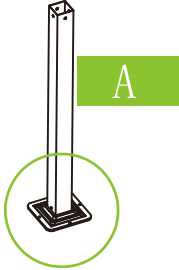
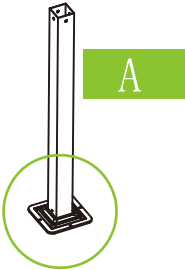


# PRODUCT ASSEMBLY

12

CONNECT (A, L) WITH SCREW X1.

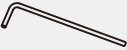

PART	NO.	QTY.
	L	4
	X1	8

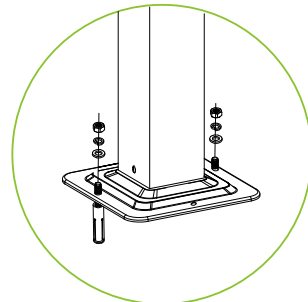
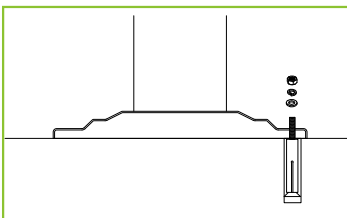
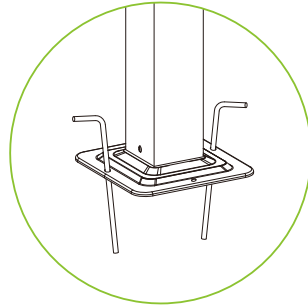
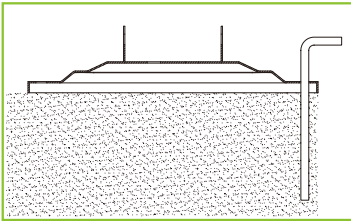
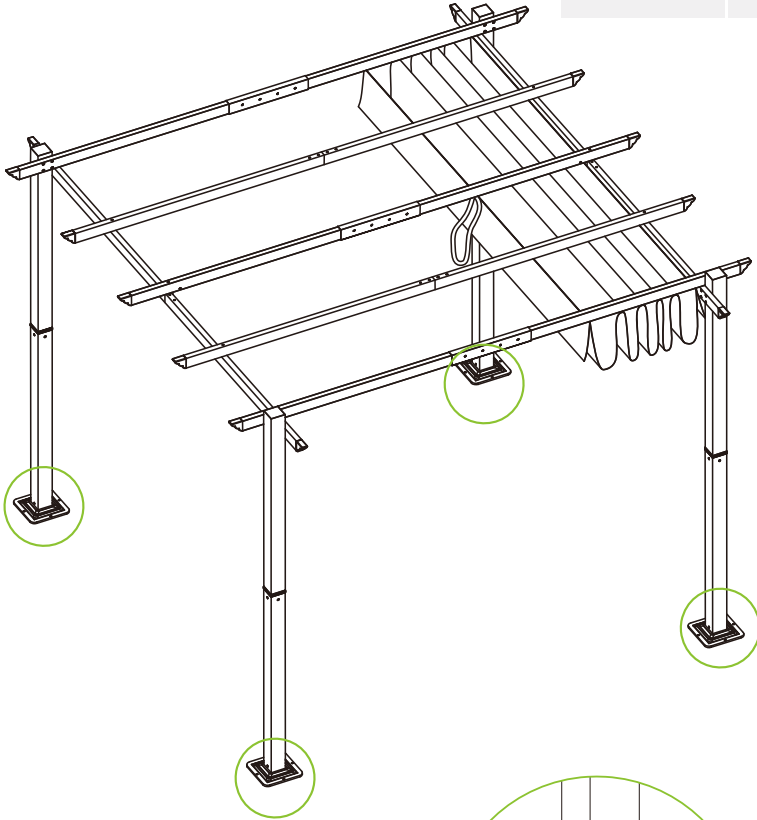




# PRODUCT ASSEMBLY

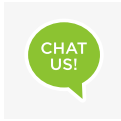
14

PART	NO.	QTY.
		8
		8



# HELP CENTER

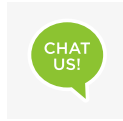
Question about your product? We're here to help. Visit us at:



Chat Support



Product Inquiry



Orders FAQ



Product Assembly



Returns & Refunds

## We Stand Behind the Quality of Their Furniture

If you have any issues with your item please let us know! We will always do our best to come up with a solution that you will be happy with. Please get in touch with our customer service team before returning the product.

And pls do not throw the original box(es) if you have not finished assembling or confirmed no quality issues.

Length of return period:

Items can be returned within 30 days of purchase. In the meanwhile, everything you purchased from us comes with a one-year warranty.

Who is responsible for the return shipping fee:

We will cover the return shipping fees if:

1. Your item has a manufacturing defect in its materials or workmanship. For example, torn wicker or misaligned screw holes. We will send you a prepaid shipping label after photos are sent.
2. Your item has been damaged in transit. For example, glass is broken or wicker is damaged. We will send you a prepaid shipping label after photos are sent.
3. You receive the wrong box(es) due to a warehouse error. We will send you a prepaid shipping label after photos are sent of the wrong SKU numbers on the outer box(es).
4. One or more boxes are lost in transit. We will send you a prepaid shipping label if you no longer want the item.

---

## Return Request

In order to get a full refund as described in this return policy, all items must be:

- (1) In a brand new/unused condition, please provide photos before and after packaging.
- (2) When returning, all accessories and parts are firmly packed in all original packaging.

If your return does not meet the requirements, you may not get a full refund.

When will I be refunded? The refund is released once the goods have been returned to our warehouse. What if the product is damaged/defective outside of the valid return period? We want you to be a happy customer.

Please reach out to us by email and we will come up with a solution to make sure you are satisfied.