

ASSEMBLY INSTRUCTIONS.

CHAIR BLACK-M2



THANK YOU FOR YOUR PURCHASE !

PARTS AND HARDWARE.

1. SEAT & BACK x 1



2. LEGS x 2



3. BOLT M6-50 x 6



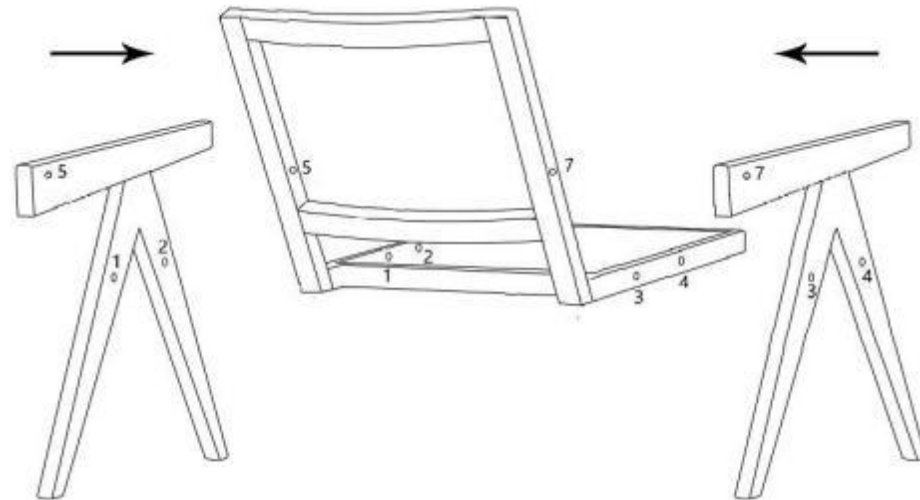
4. FLAT WASHER x 6



5. WRENCH x 1



STEP 1.



STEP 2.



NOTES.

Thank you for purchasing this quality product!
Be sure to check all packing material carefully
for small part that may have come loose inside
the carton during shipping.

CAUTION: Ensure not to over tighten screws
to reduce the risk of stripping or breakage.