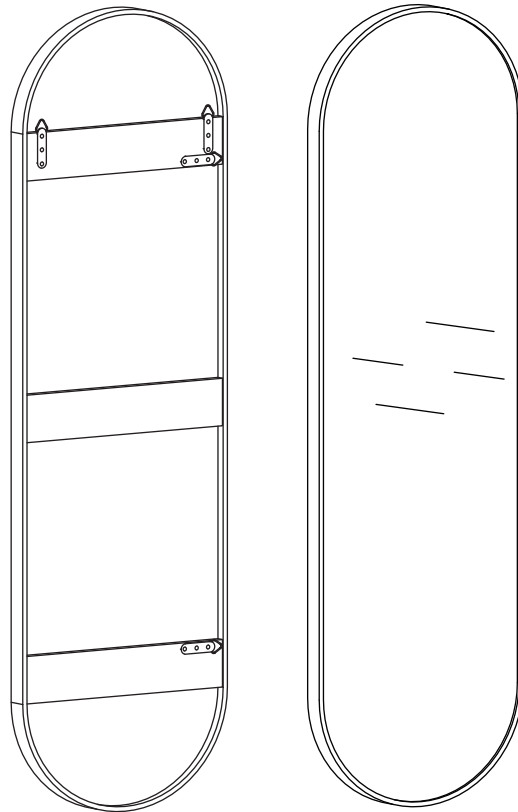

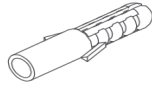


# ROUND WALL MIRROR

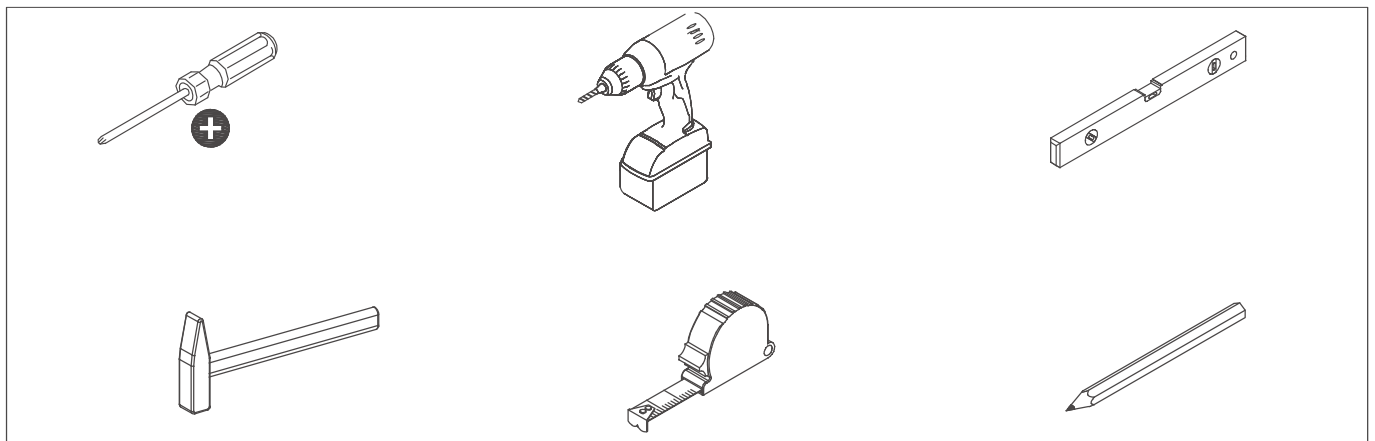
## Installation Guide



### List of Parts

A	2 pcs	B	2 pcs
			
Screws		Rubber plug screws	

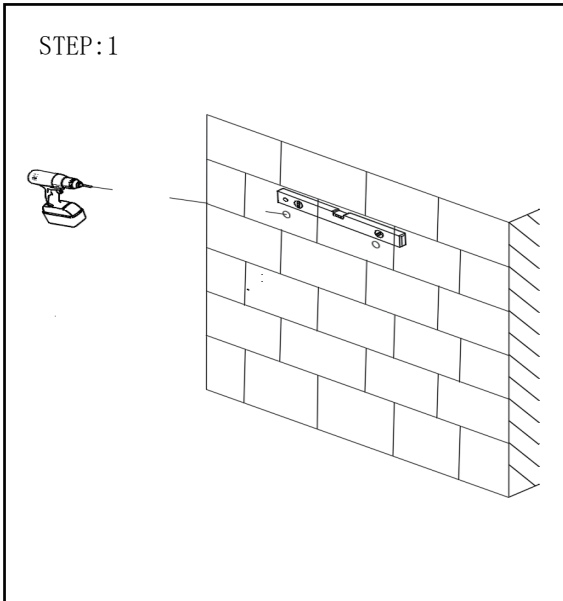
Please make sure all the parts are included.



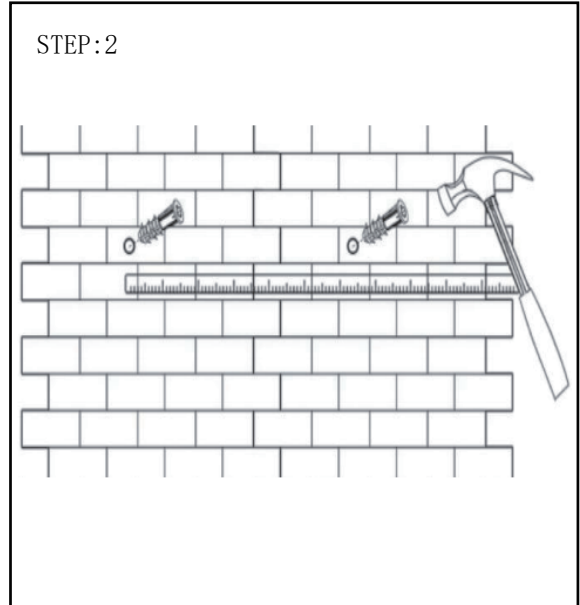
# Surface installation

Mark four (2) mounting holes on the wall corresponding to the pre-drilled hole locations in the mounting bars on the inside back panel of the cabinet.

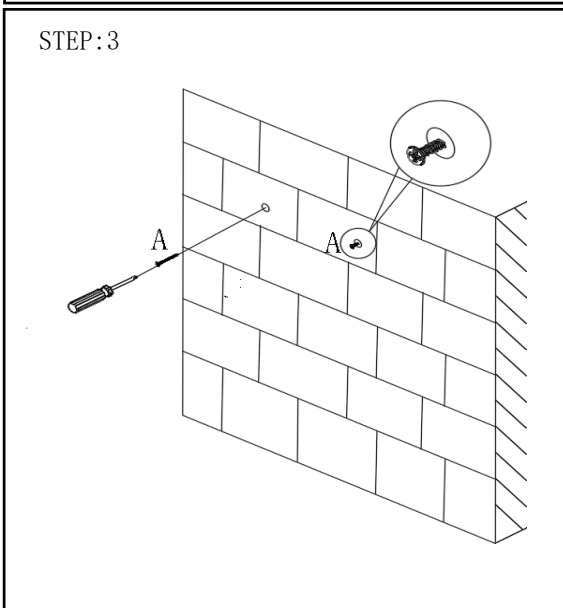
STEP:1



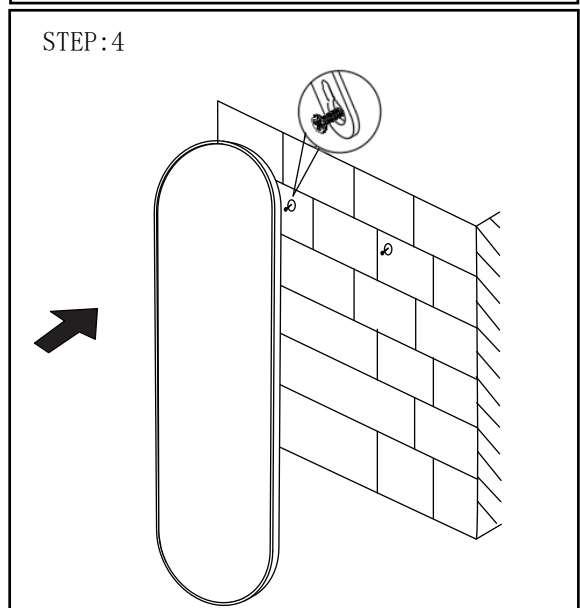
STEP:2



STEP:3



STEP:4



STEP:5

