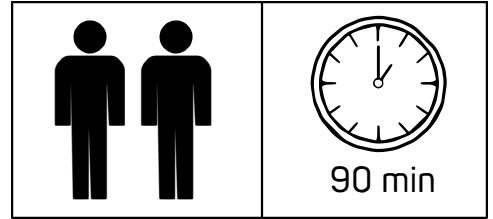
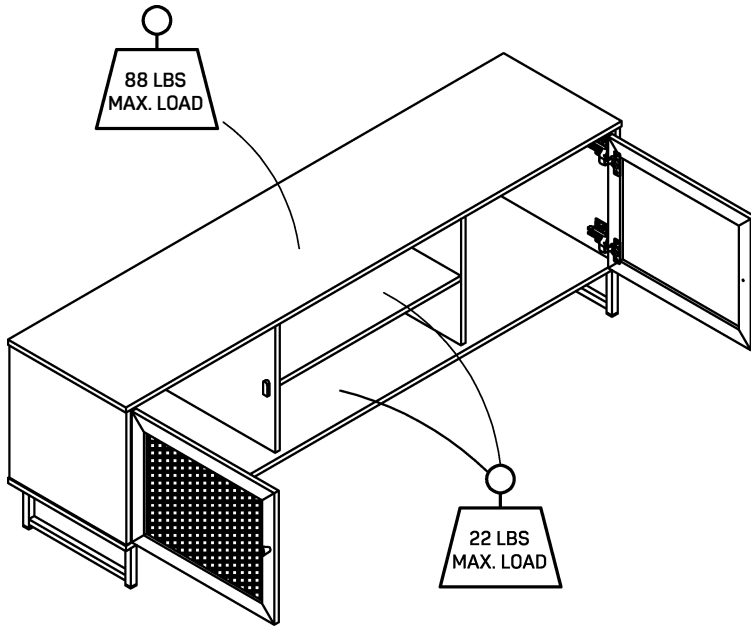


Thank you for your purchase!



TV STAND WITH STORAGE



ASSEMBLY INSTRUCTIONS

Before You Begin: Phillips screwdriver required for assembly (Not included)

Please identify all component parts and hardware pieces required before you begin. Carefully remove all of the components from the packaging and set aside for assembly. Assemble on a soft surface to prevent scratching during assembly.

Caution:

Tighten all components securely before use. Failure to do so may result in personal injury.

DO NOT use any sharp objects to open plastic wrapped components as damage to product or components may result.

Warning:

CHOKING HAZARD - Small Parts. Adult Assembly Required.

Injuries may result from tipping furniture. You must install Tipping Restraint Hardware with the unit to prevent the unit from tipping and causing any accidental injury, instability, death or damage. The tipping restraint is intended only as a safety measure, it is not a substitute for proper adult supervision.

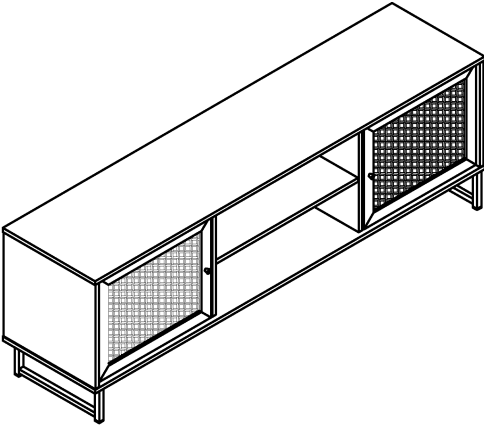
The tipping restraint is not an earthquake restraint. If you wish to add the extra security of earthquake restraints, they must be purchased and installed separately.

Serious or fatal crushing injuries can occur from furniture tipping over. To prevent furniture from tipping over it must be permanently fixed to the wall. Fixing devices for the wall are not included since different wall materials require different types of fixing devices. Use fixing devices suitable for the walls in your home.

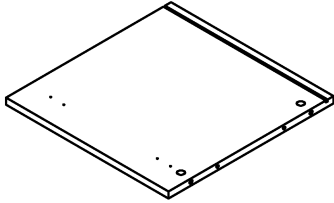
Note: Manufacturer assumes no liability for improper installation or excessive loads placed on screws or brackets.

Failure to detach this restraint before moving furniture may result in injury or damage. **DO NOT ALLOW CHILDREN TO CLIMB ON FURNITURE**

PARTS LIST

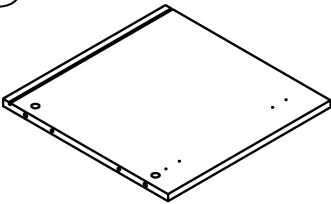


(A)



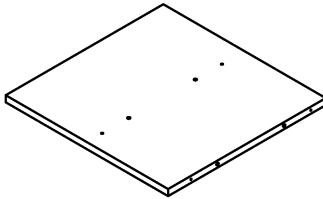
SIDE PANEL RIGHT 1PC

(B)



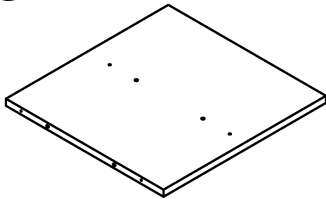
SIDE PANEL LEFT 1PC

(C)



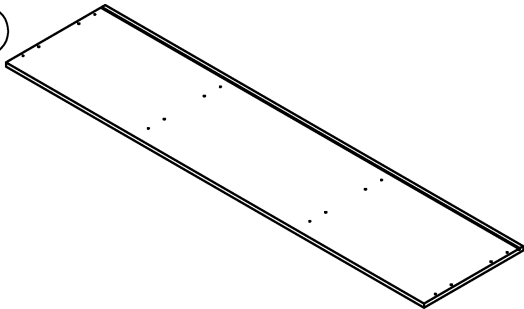
CENTER PANEL RIGHT 1PC

(D)



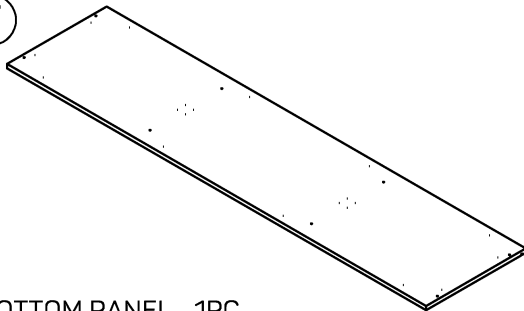
CENTER PANEL LEFT 1PC

(E)



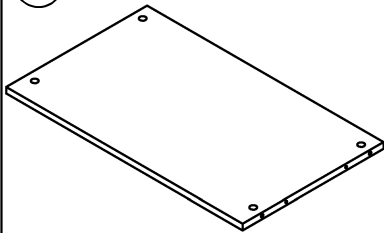
TOP PANEL 1PC

(F)



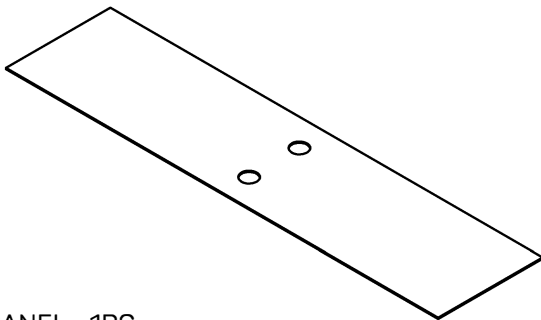
BOTTOM PANEL 1PC

(G)



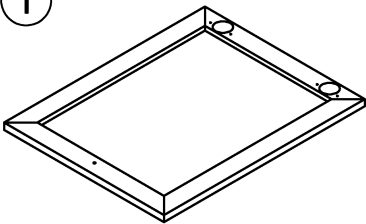
MIDDLE PANEL 1PC

(H)



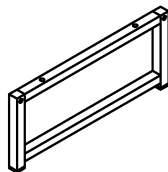
BACK PANEL 1PC

(I)



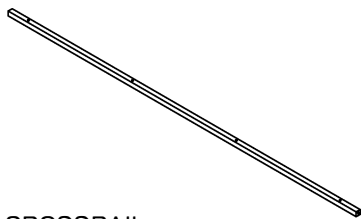
DOOR PANEL 2PCS

(J)












SIDE METAL FRAME
14.33" X 5.9" X 0.75" 2PCS



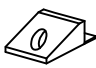

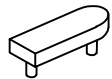



(K)



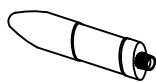
CROSSRAIL
63.3" X 0.75" X 0.75" 2PCS

HARDWARE LIST

ITEM	DESCRIPTION	QTY
①	0.47" FEMALE CAMLOCK 	12 pcs
②	7/8 HINGES 	4 pcs
③	1.26" MALE CAMLOCK 	12 pcs
④	1.18" WOOD DOWEL 	20 pcs
⑤	GLUE 	1 pc
⑥	1.49" SCREW 	8 pcs
⑦	0.63" SCREW 	16 pcs
⑧	METAL KNOB 	2 pcs
⑨	0.75" MACHINE SCREW 	2 pcs

ITEM	DESCRIPTION	QTY
⑩	1.77" JCBC BOLT 	4 pcs
⑪	ALLEN WRENCH 	1 pc
⑫	PLASTIC WEDGE 	6 pcs
⑬	0.79" CSK CHIPBOARD SCREW 	6 pcs
⑭	DOOR STOPPER 	2 pcs
⑮	1.18" JCBC BOLT 	12 pcs
⑯	5.7" X 1.96" X 1.96" CENTER LEG 	2 pcs
⑰	0.63" SCREW 	8 pcs

Glue must be applied to both sides of the wood dowels

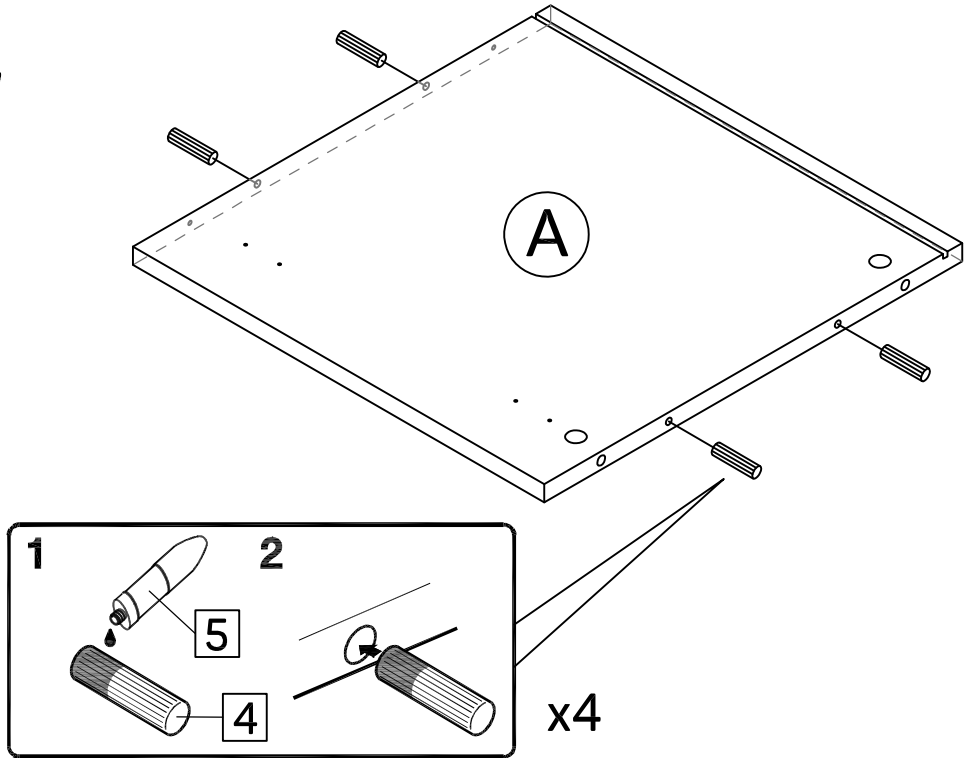


INSTALLATION

STEP 1

④ 1.18"
WOOD DOWEL 4pcs

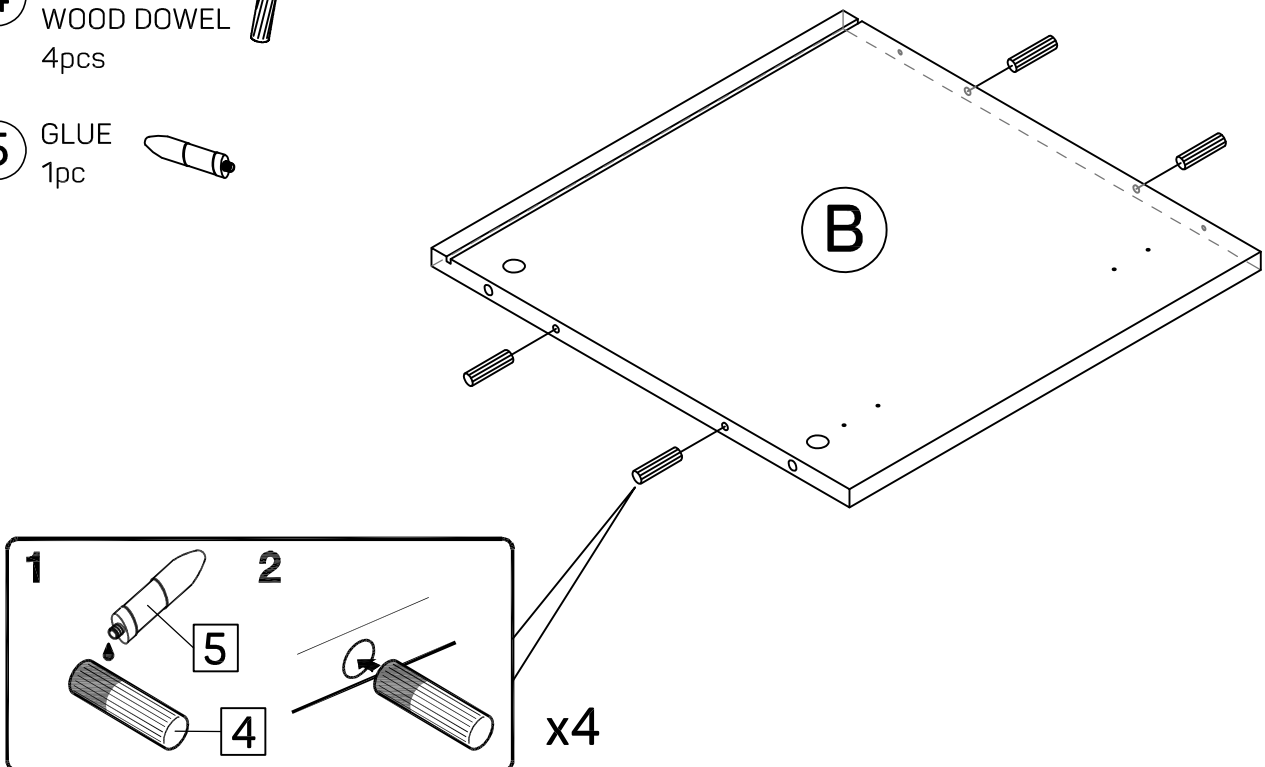
⑤ GLUE 1pc



STEP 2

④ 1.18"
WOOD DOWEL 4pcs

⑤ GLUE 1pc

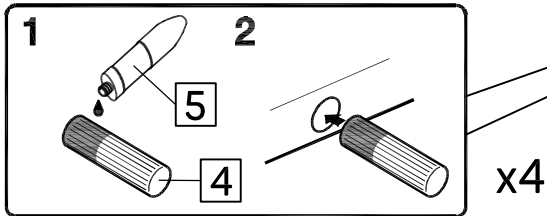
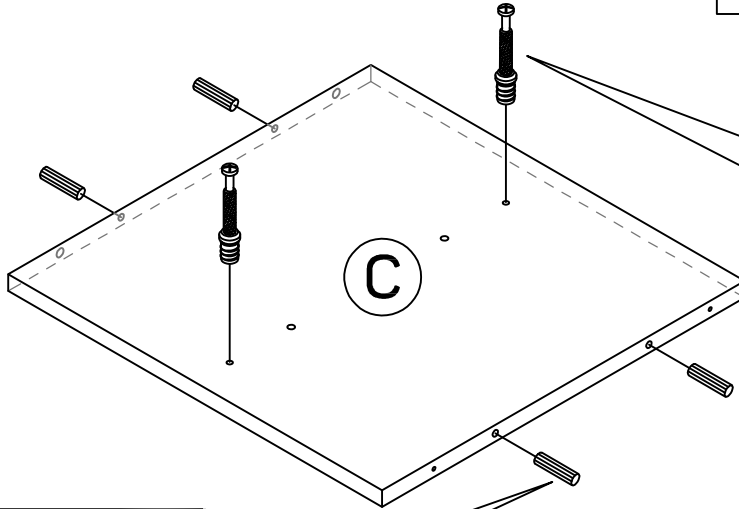


STEP 3

- ③ 1.26"
MALE CAMLOCK
2pcs

- ④ 1.18"
WOOD DOWEL
4pcs

- ⑤ GLUE
1pc

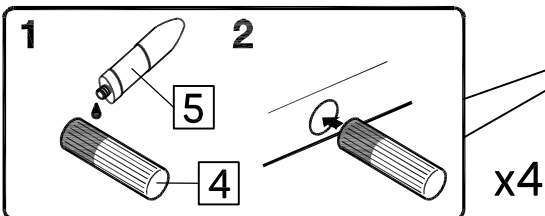
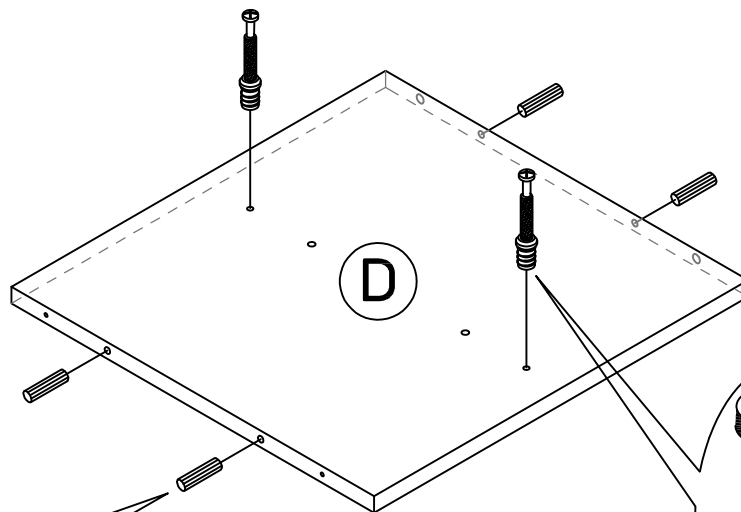


STEP 4

- ③ 1.26"
MALE CAMLOCK
2pcs

- ④ 1.18"
WOOD DOWEL
4pcs

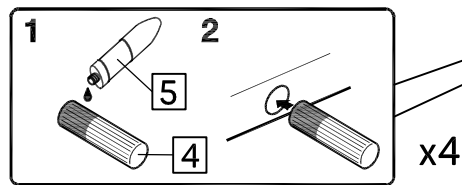
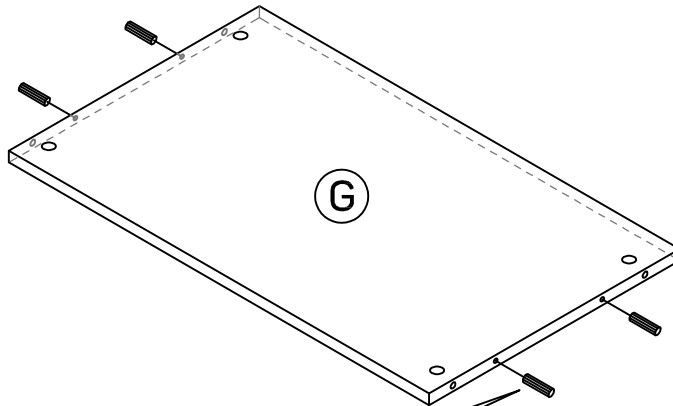
- ⑤ GLUE
1pc



STEP 5

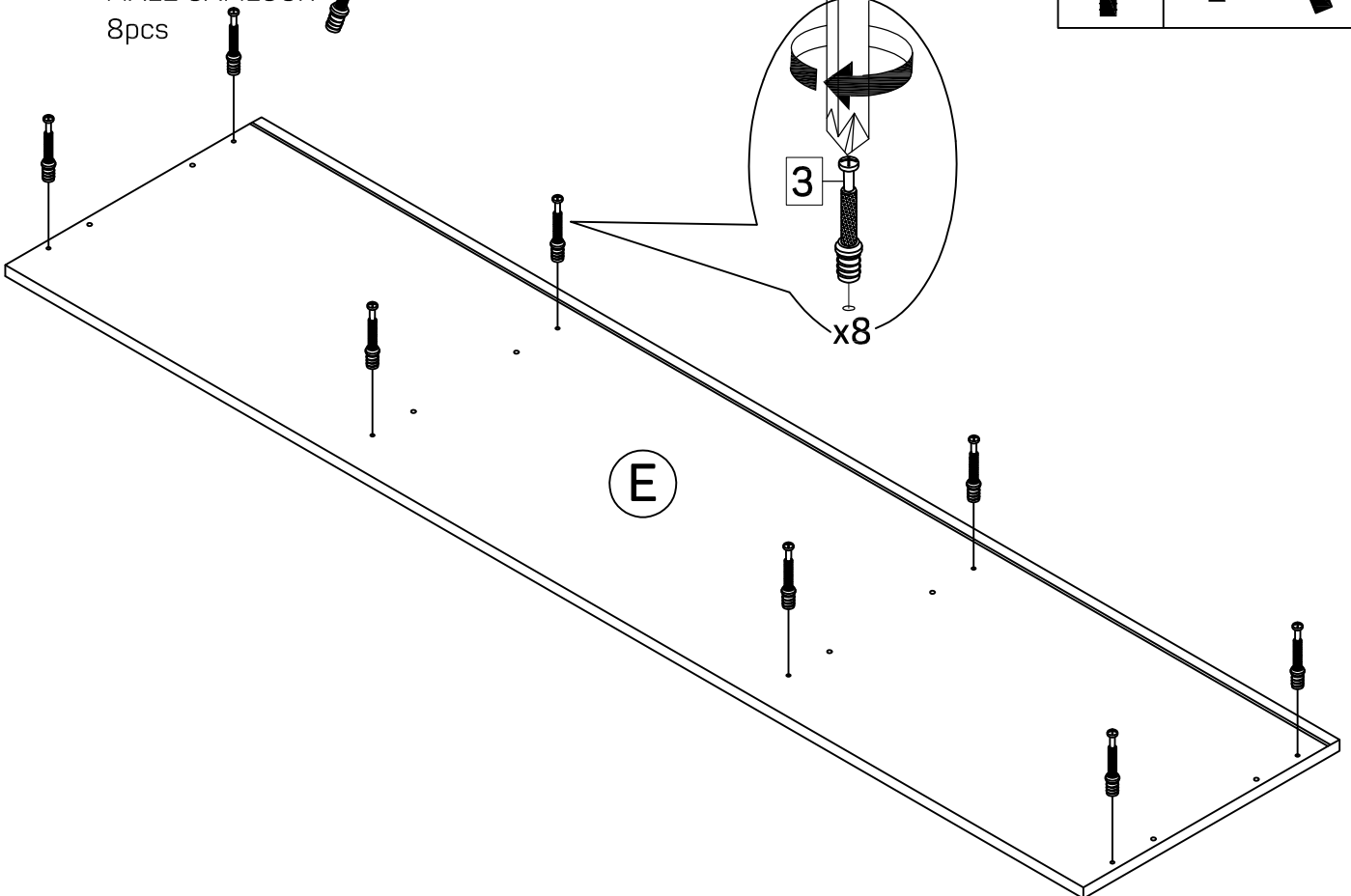
④ 1.18"
WOOD DOWEL
4pcs

⑤ GLUE
1pc



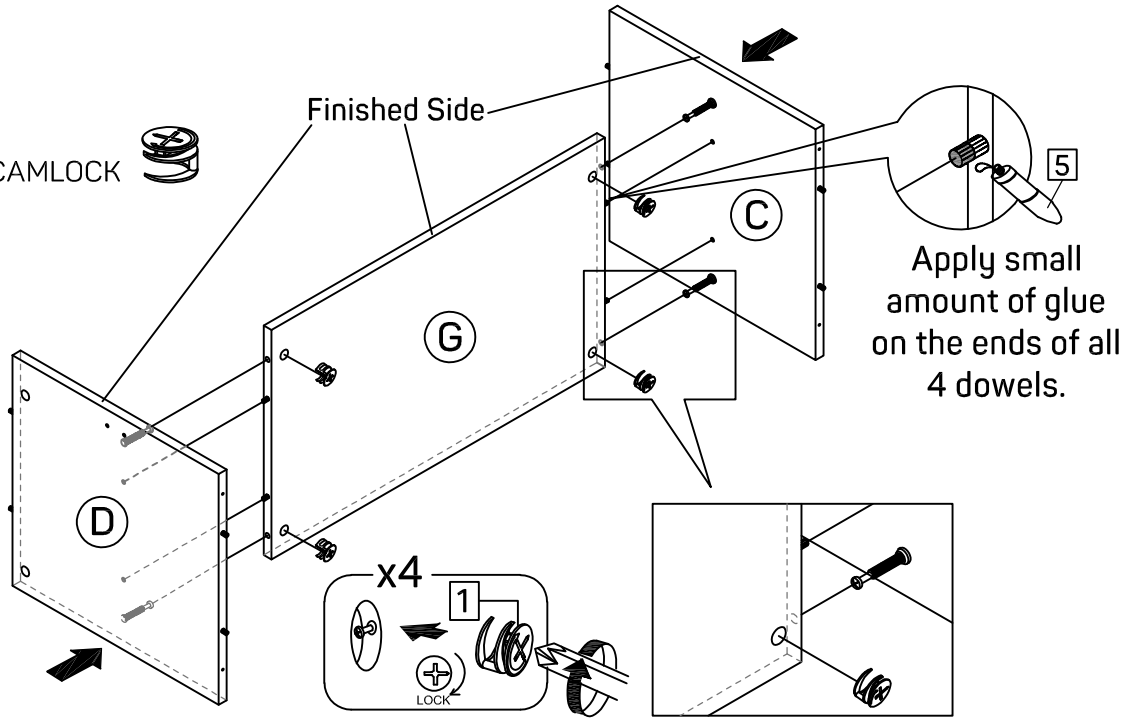
STEP 6

③ 1.26"
MALE CAMLOCK
8pcs



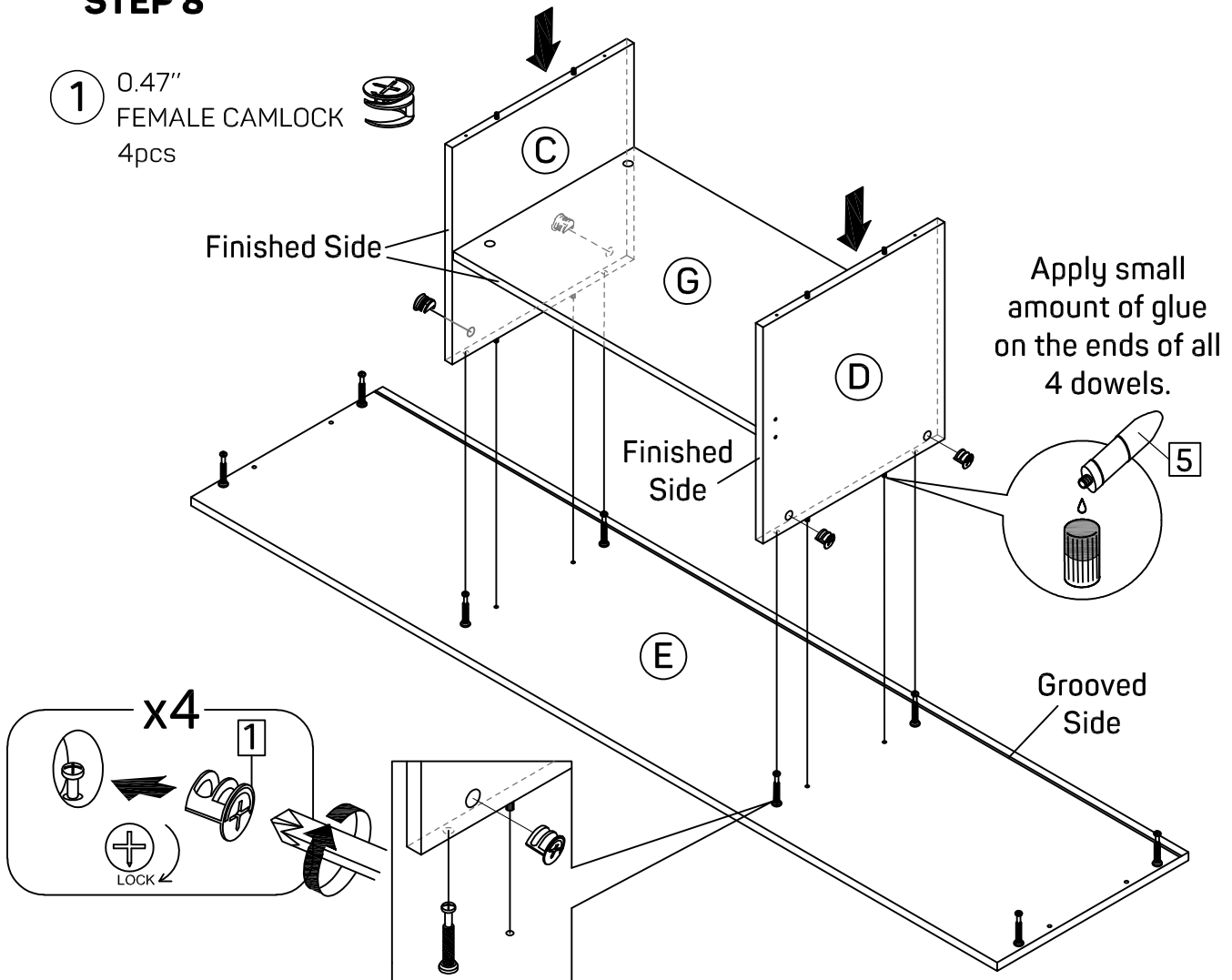
STEP 7

- ① 0.47" FEMALE CAMLOCK
4pcs



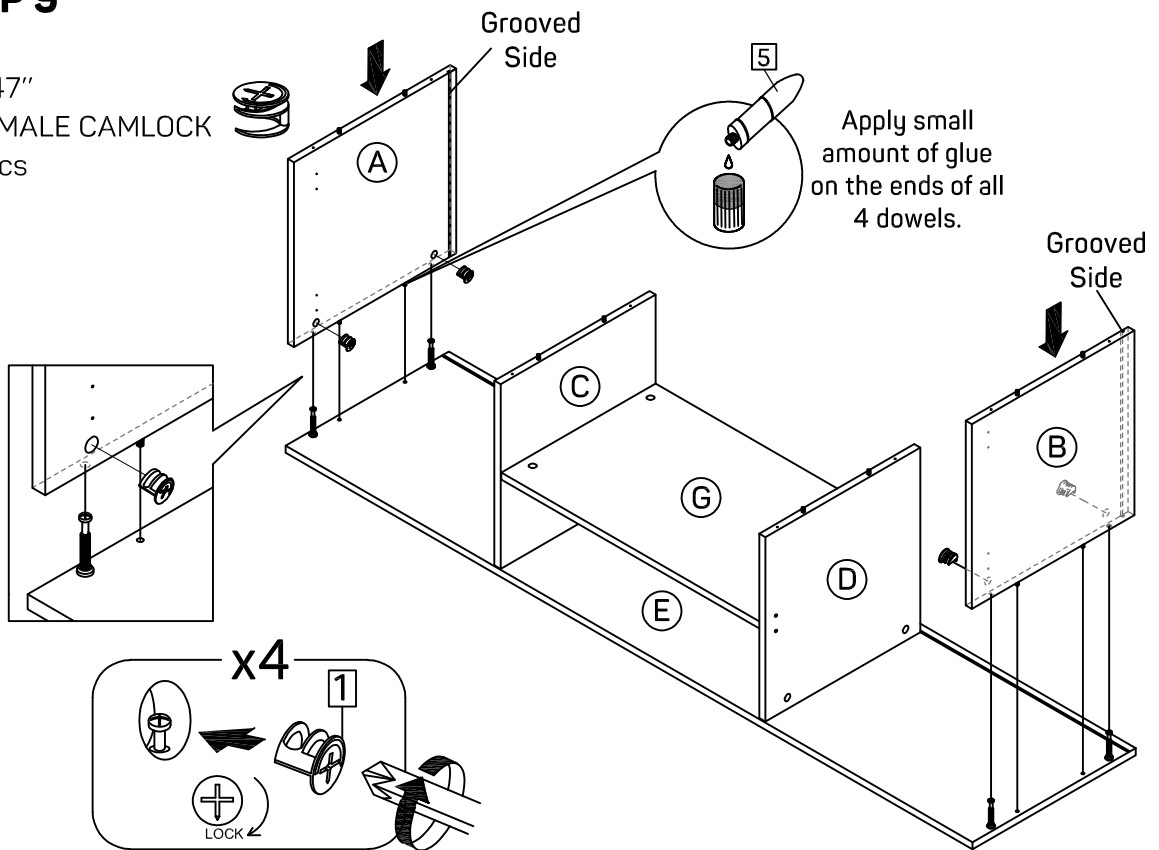
STEP 8

- ① 0.47" FEMALE CAMLOCK
4pcs

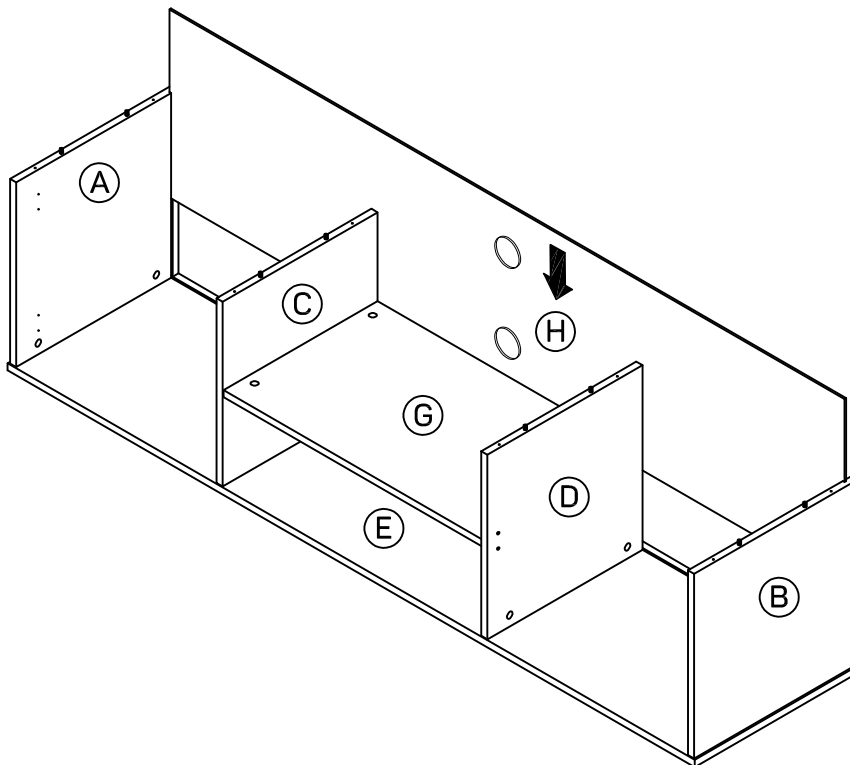


STEP 9

- 1 0.47" FEMALE CAMLOCK
4pcs

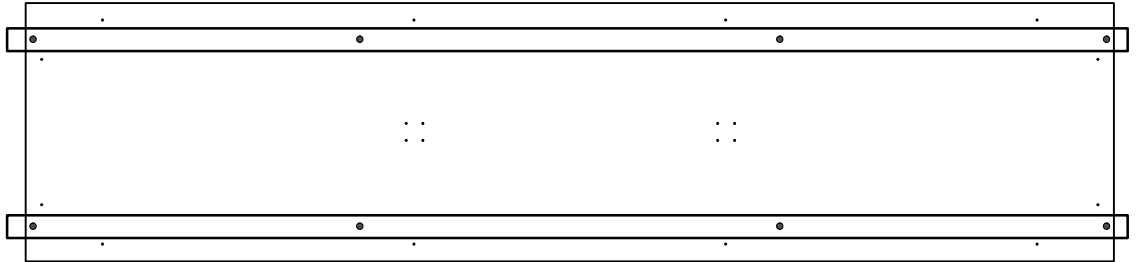


STEP 10

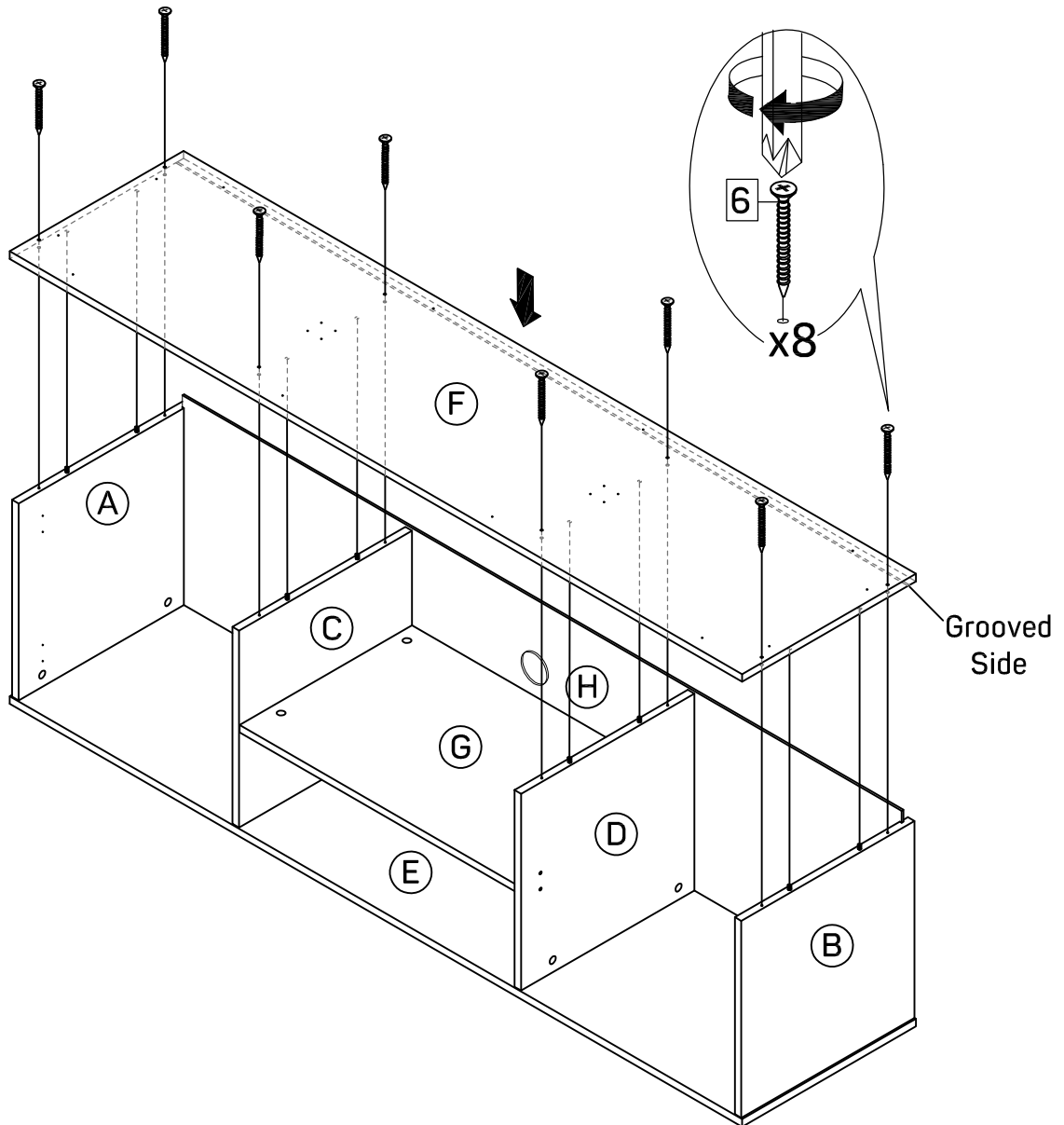


STEP 11

⑥ 1.49"
SCREW
8pcs



Indicator for screw in the hardware (6) into designated holes on panel F.

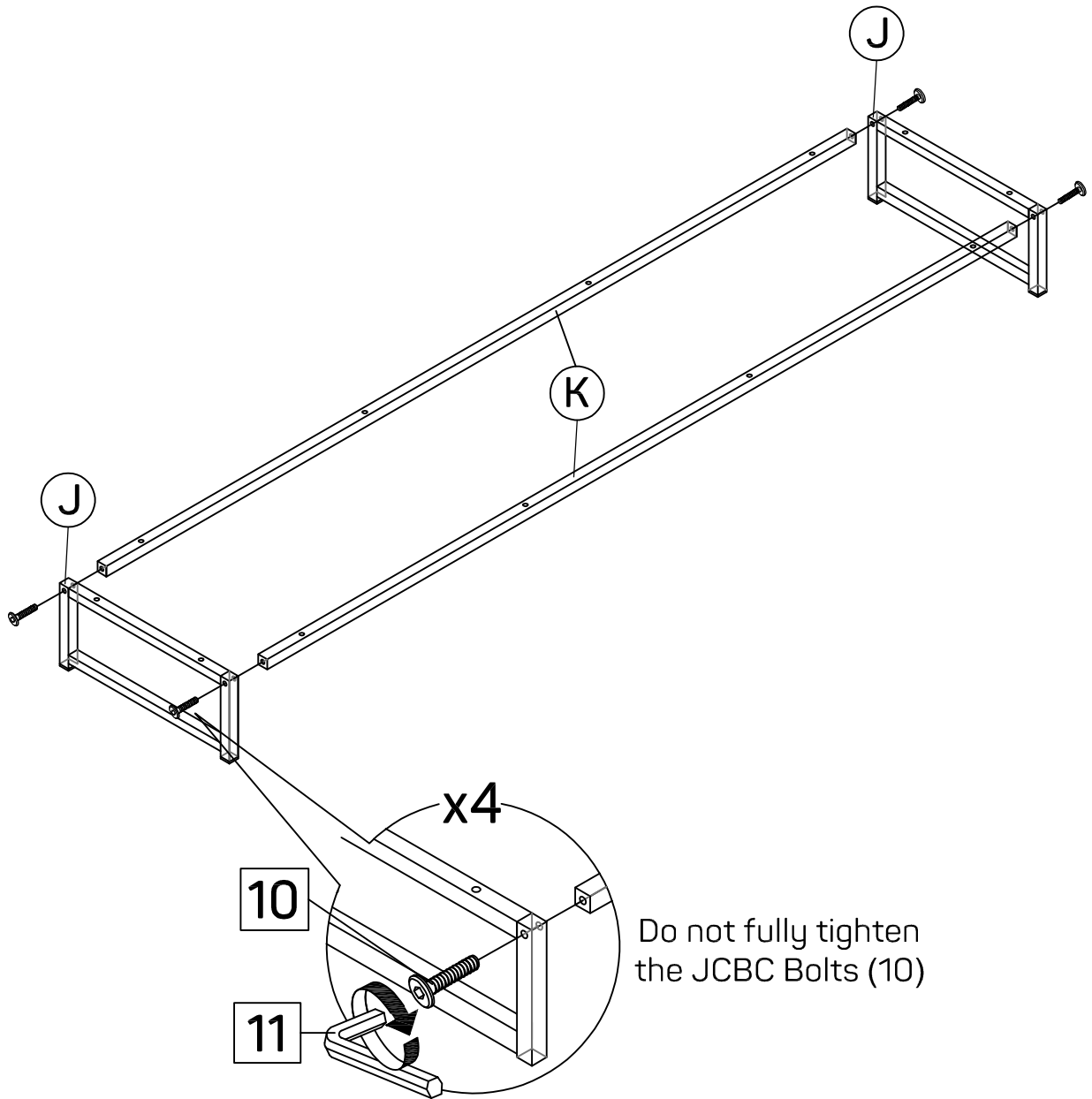


STEP 12

⑩ 1.77"
JCBC BOLT
4pcs



⑪ ALLEN WRENCH
1pc

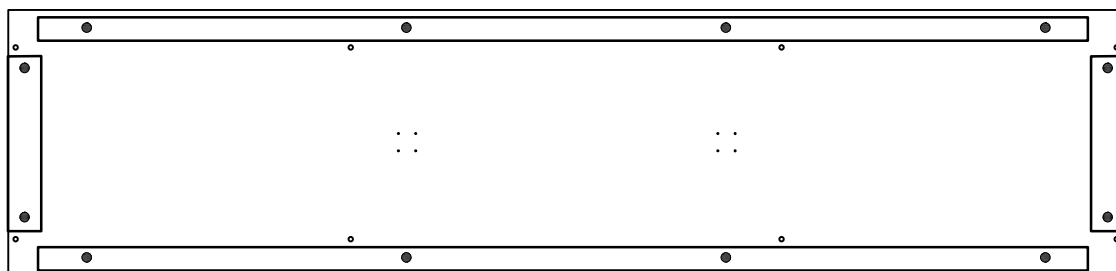


STEP 13

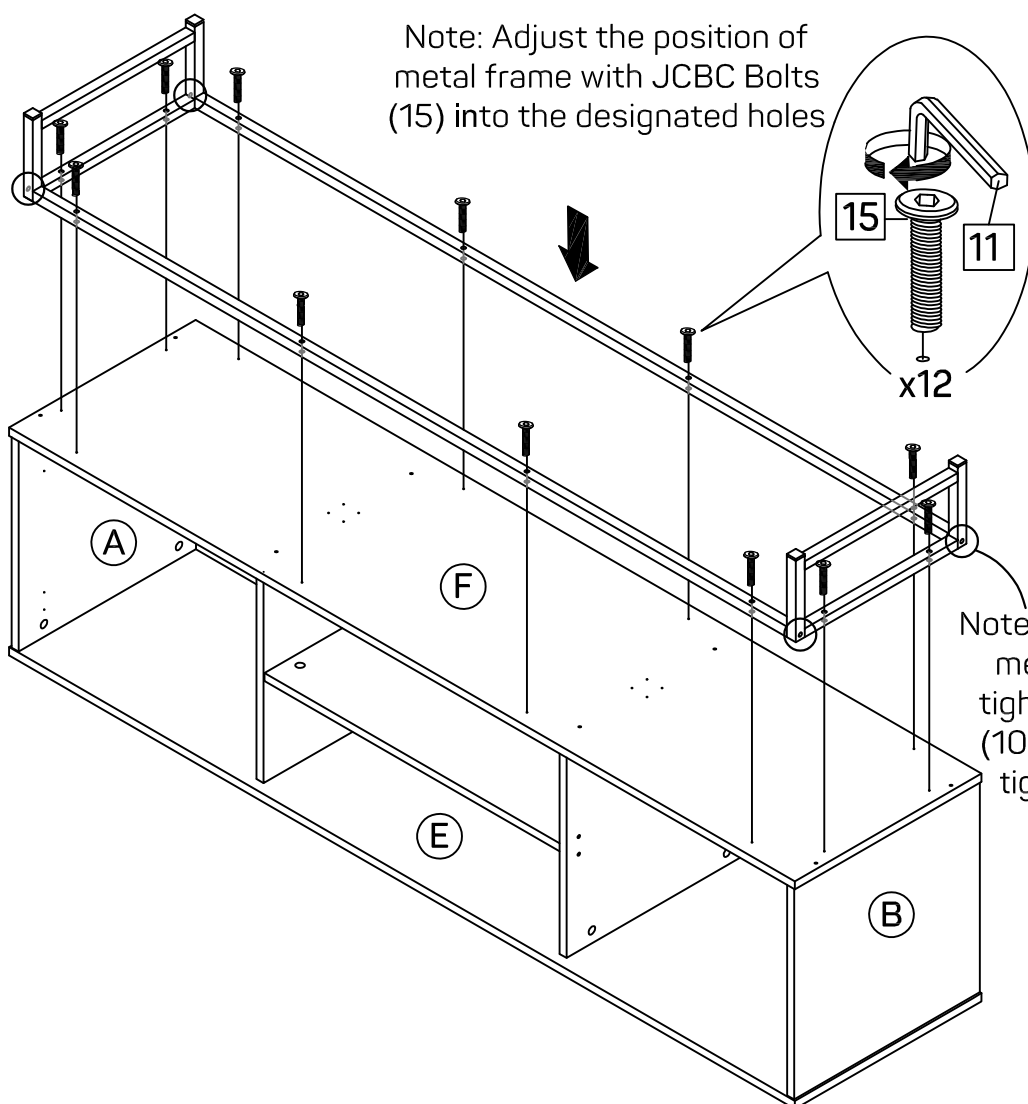
⑮ 1.18"
JCBC BOLT
12pcs



⑪ ALLEN WRENCH
1pc



Indicator for screw in the hardware (15) into designated holes.



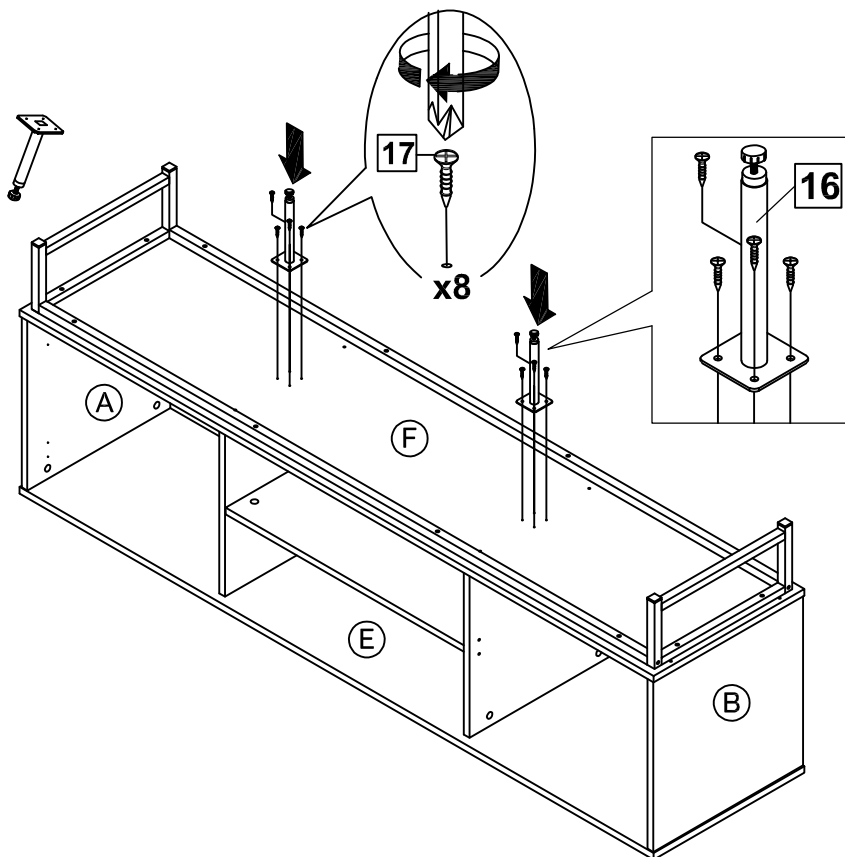
Note: Adjust the position of metal frame with JCBC Bolts (15) into the designated holes

Note: After installing the metal frame, please tighten all JCBC Bolts (10) that were not fully tightened in Step 12.

STEP 14

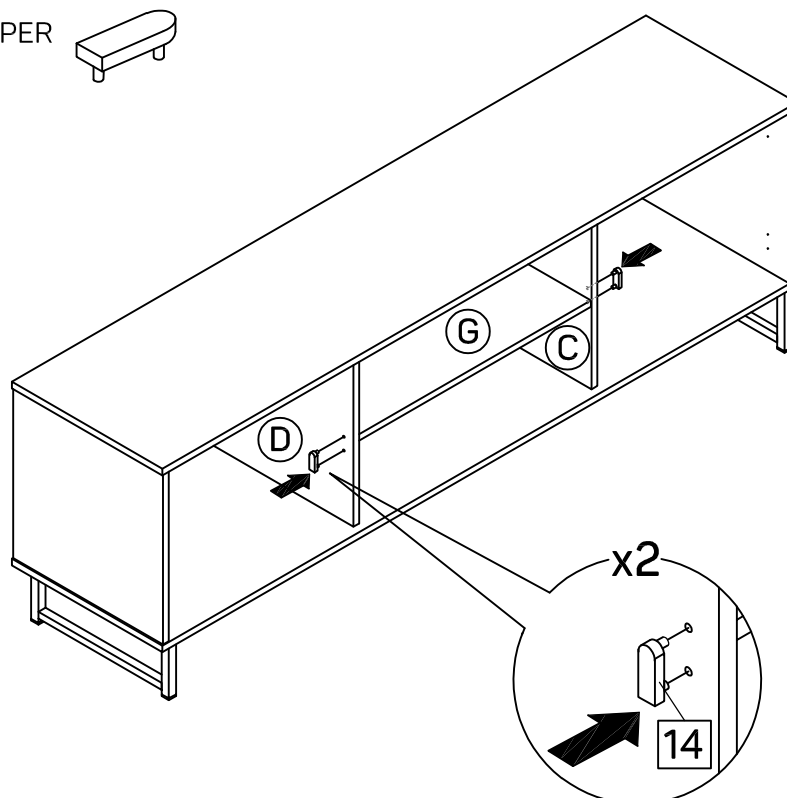
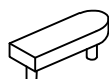
①⑥ 5.7" X 1.96" X 1.96"
CENTER LEG
2pcs

①⑦ 0.63"
SCREW
8pcs



STEP 15

①④ DOOR STOPPER
2pcs

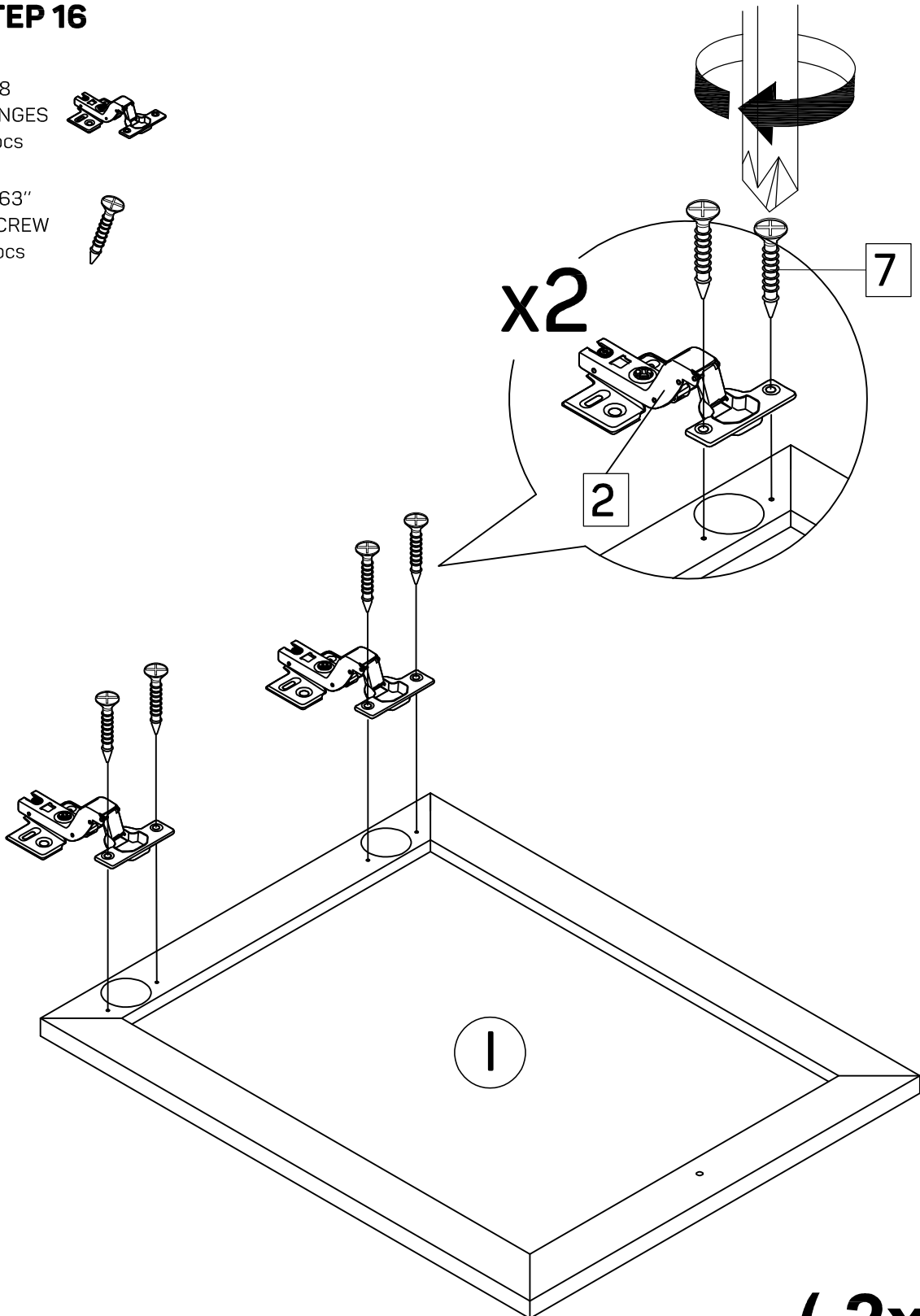


STEP 16

2 7/8
HINGES
4pcs



7 0.63"
SCREW
8pcs



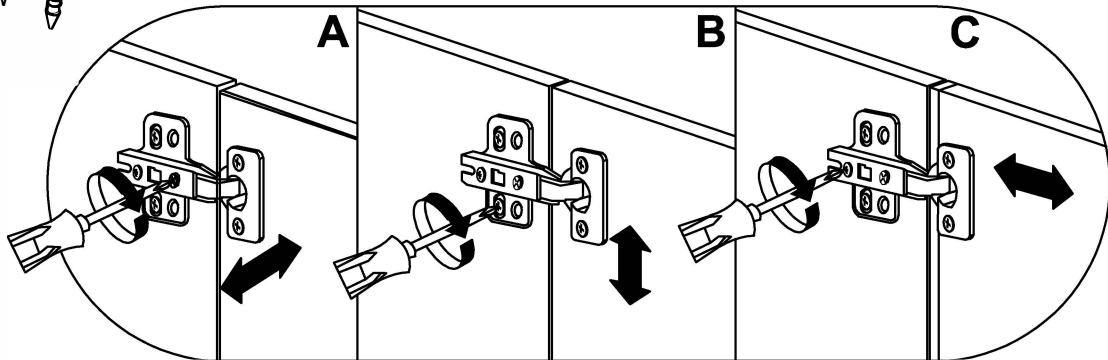
(2x)

STEP 17

⑦ 0.63" SCREW
8pcs



Hinge Adjustment

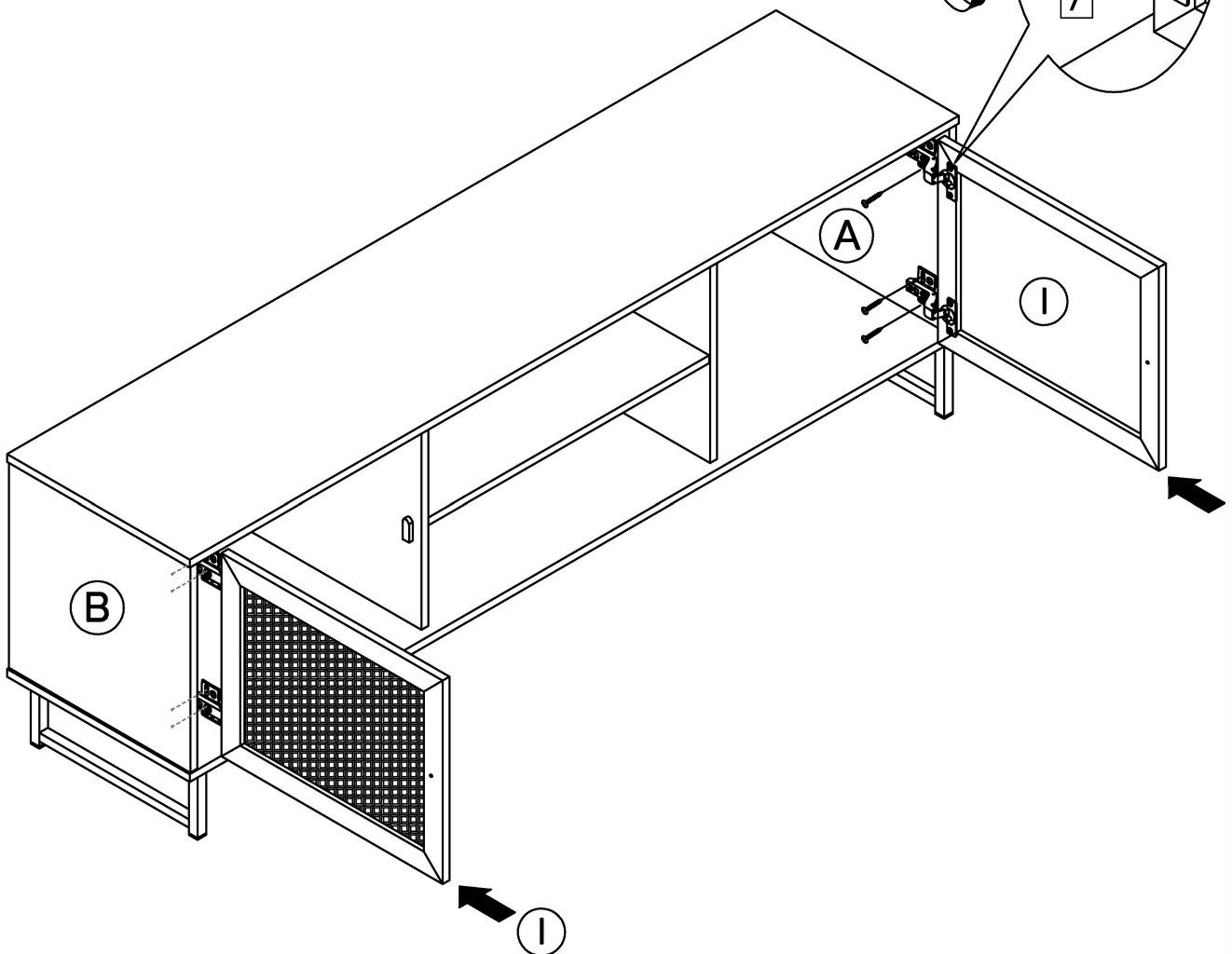
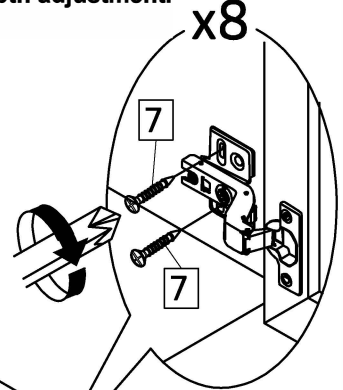


A. Turn front screw to adjust door overlay (sideways).

B. Rotate cam screw on mounting plate to adjust door height.

C. Turn rear screw for door depth adjustment.

x8

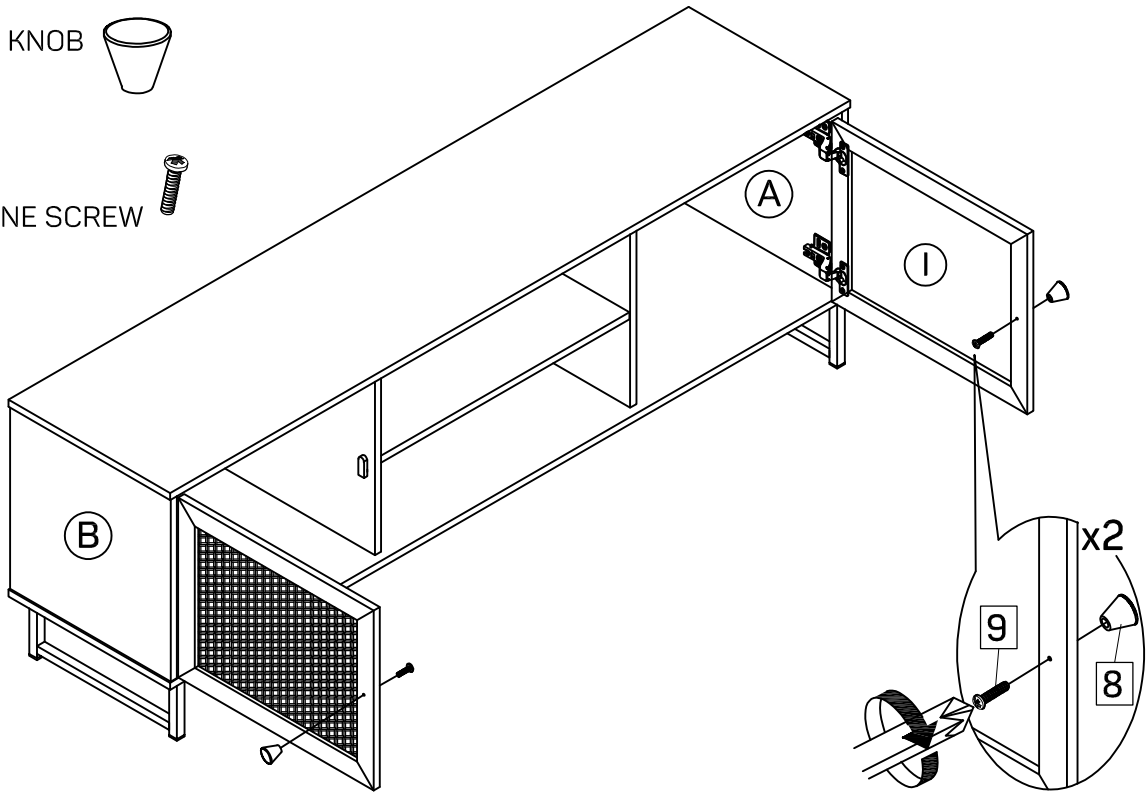


STEP 18

⑧ METAL KNOB
2pcs



⑨ 0.75"
MACHINE SCREW
2pcs

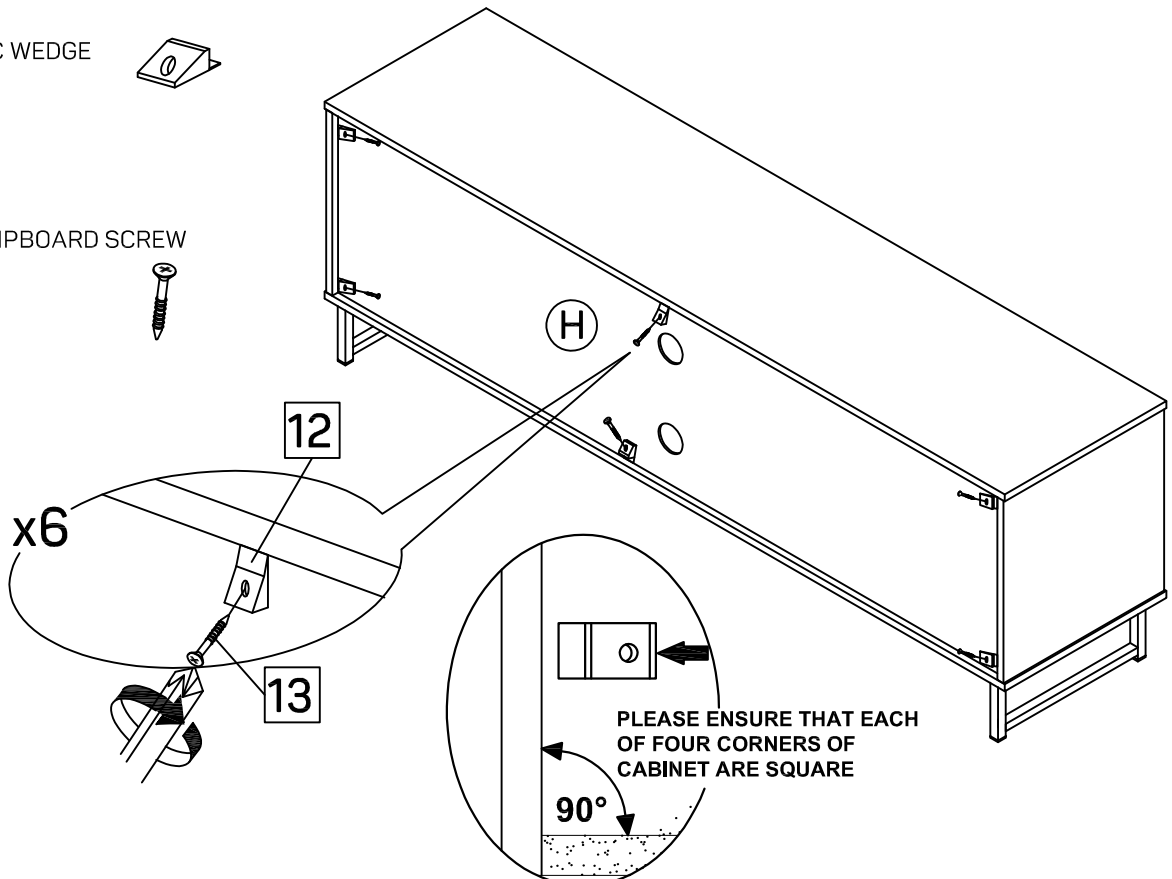


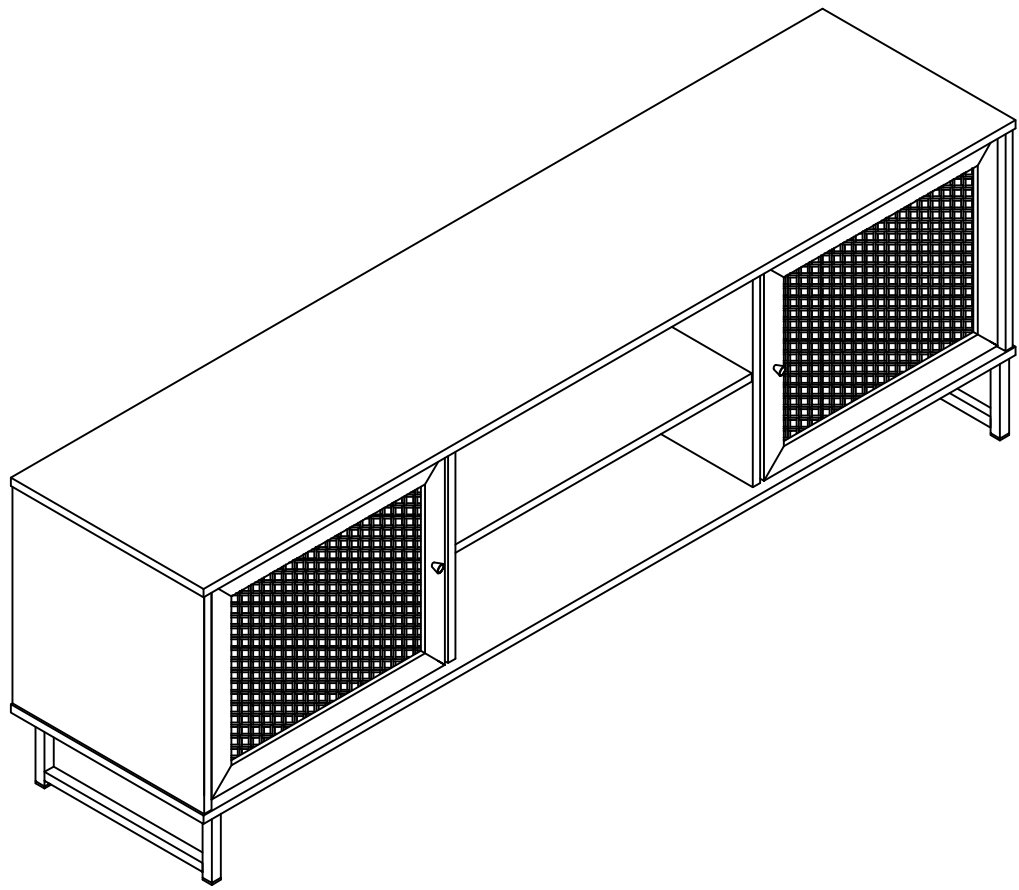
STEP 19

⑫ PLASTIC WEDGE
6pcs



⑬ 0.79"
CSK CHIPBOARD SCREW
6pcs





Quality and Safety Guidelines:

- Please follow the static and dynamic weight capacity limits provided on this item.
- Please use this item on a stable, level surface only.
All table legs should contact the flooring surface when in use.
Do not use this item if any instability is detected.
- Please secure this item to the wall using anti-tipping straps.
- This item is intended as a table only, do not climb, stand or sit on this item.
- Intended for indoor use only.
- For product longevity, product safety and product integrity, use this item only indoors and store indoors in a dry location.
- Do not pull, push or slide this item when moving it. Team lift when repositioning.
- Please review and retain all warnings, instructions and guidelines for future reference.
- Please inspect this product regularly to make sure there are no damaged or worn parts. Also inspect to make sure all hardware is tightened correctly and securely.
- If any parts are damaged or worn, please stop using the product. Repair this product with manufacturer supplied parts only.