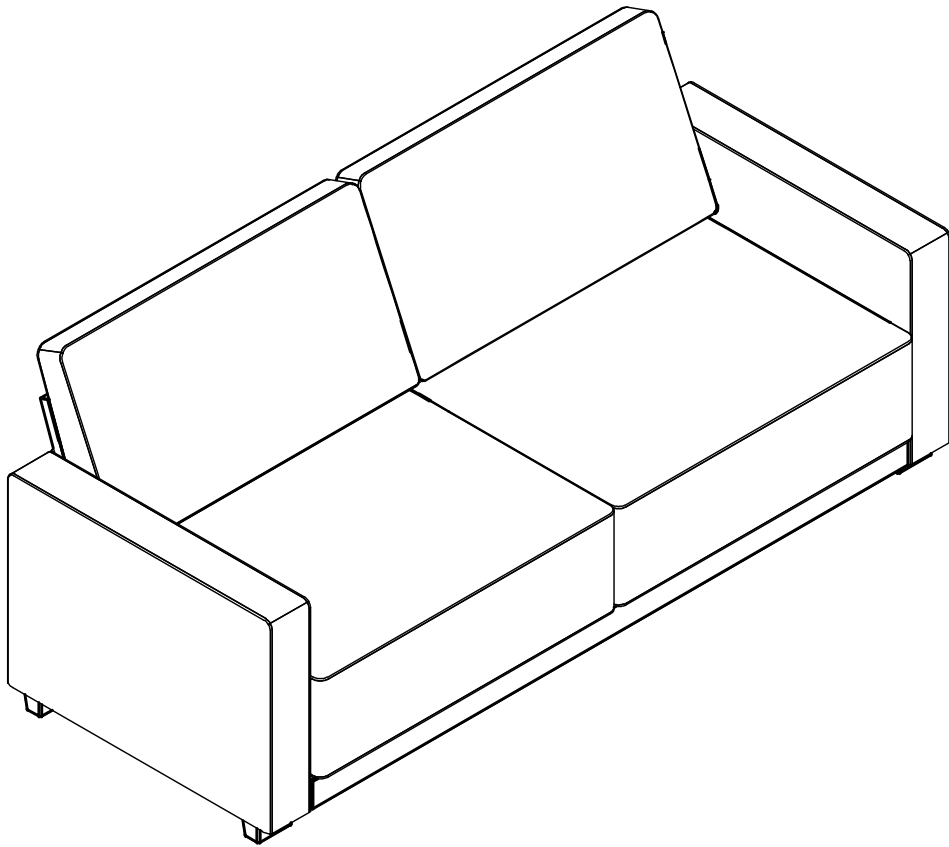
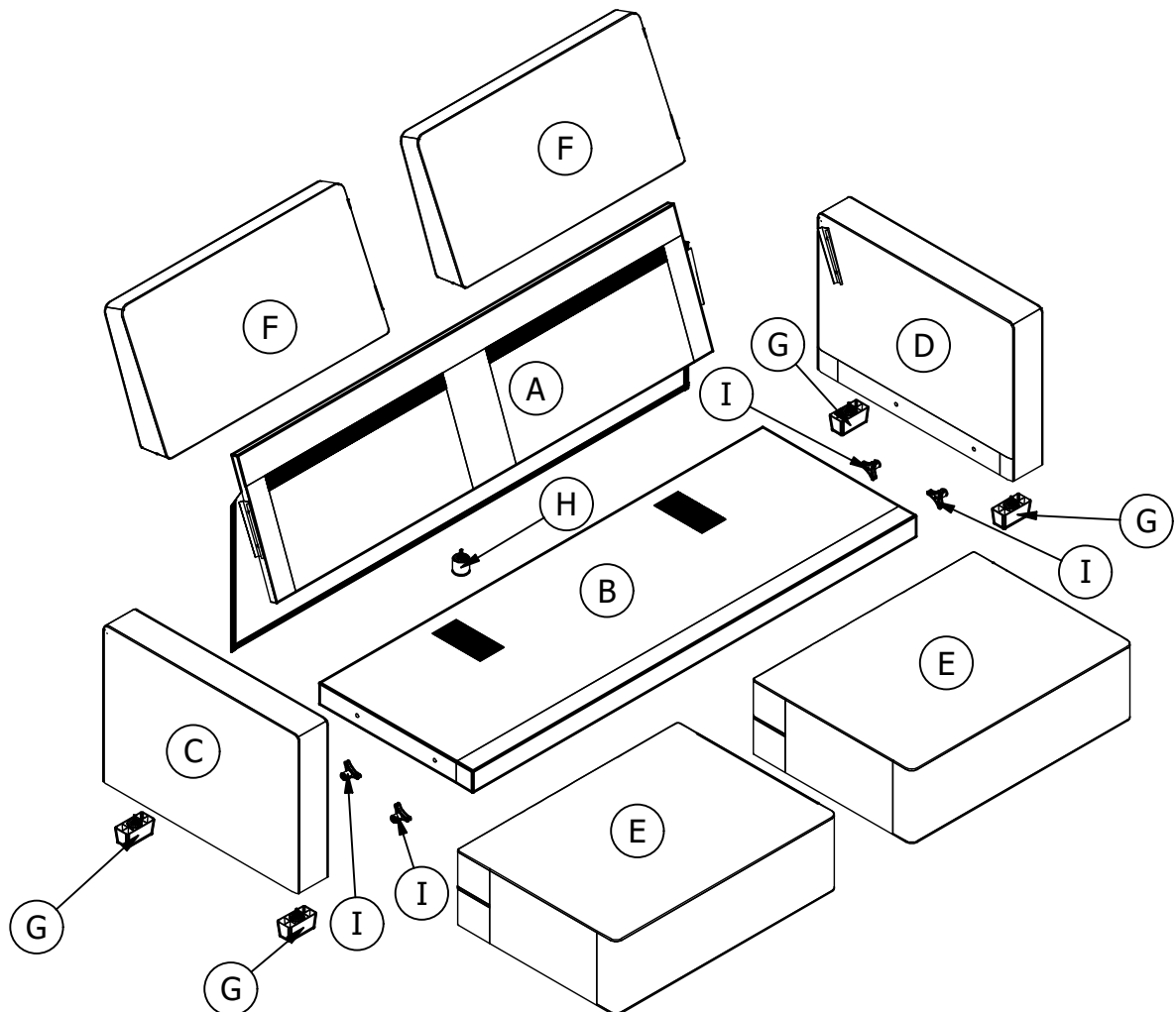


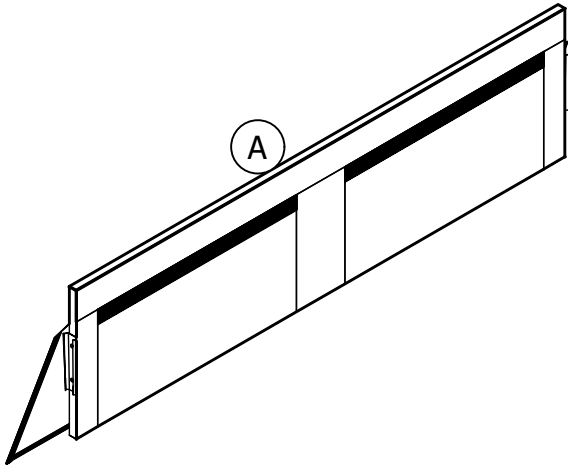
Assembly Instruction



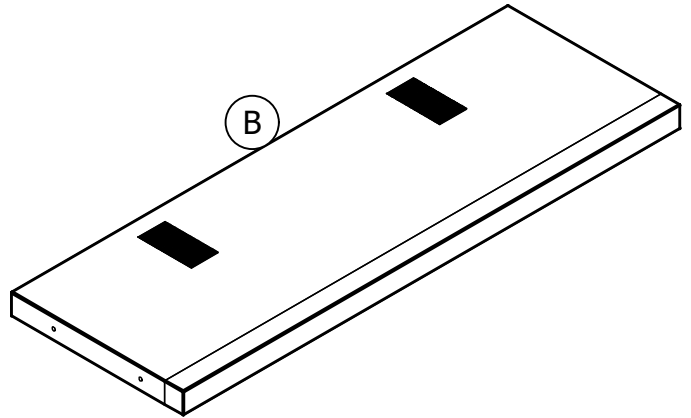
PARTS



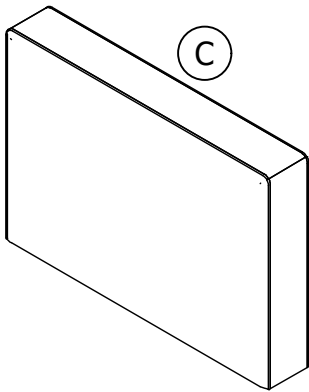
PARTS LIST



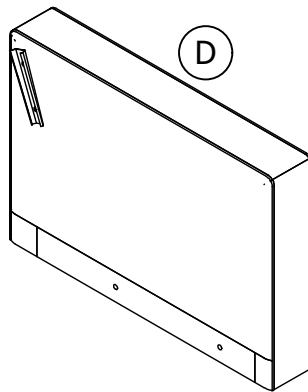
Back
1 PC



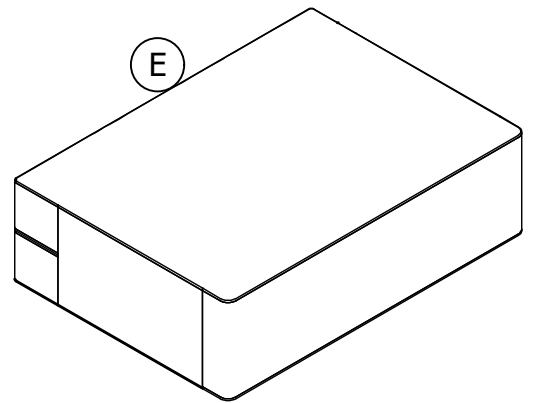
Seat Panel
1 PC



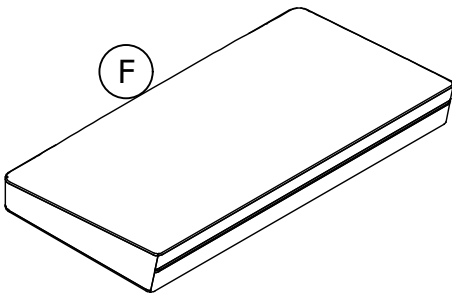
Left Armrest
1 PC



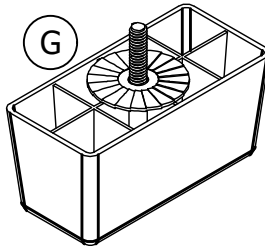
Right Armrest
1 PC



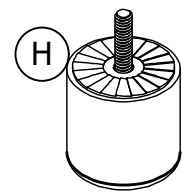
Seat Cushion
2 PCS



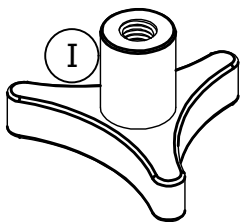
Back Cushion
2 PCS



Leg
4 PCS

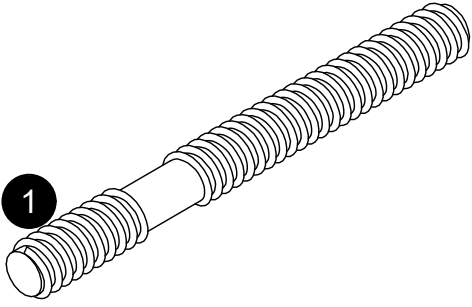


Middle Leg
1 PC



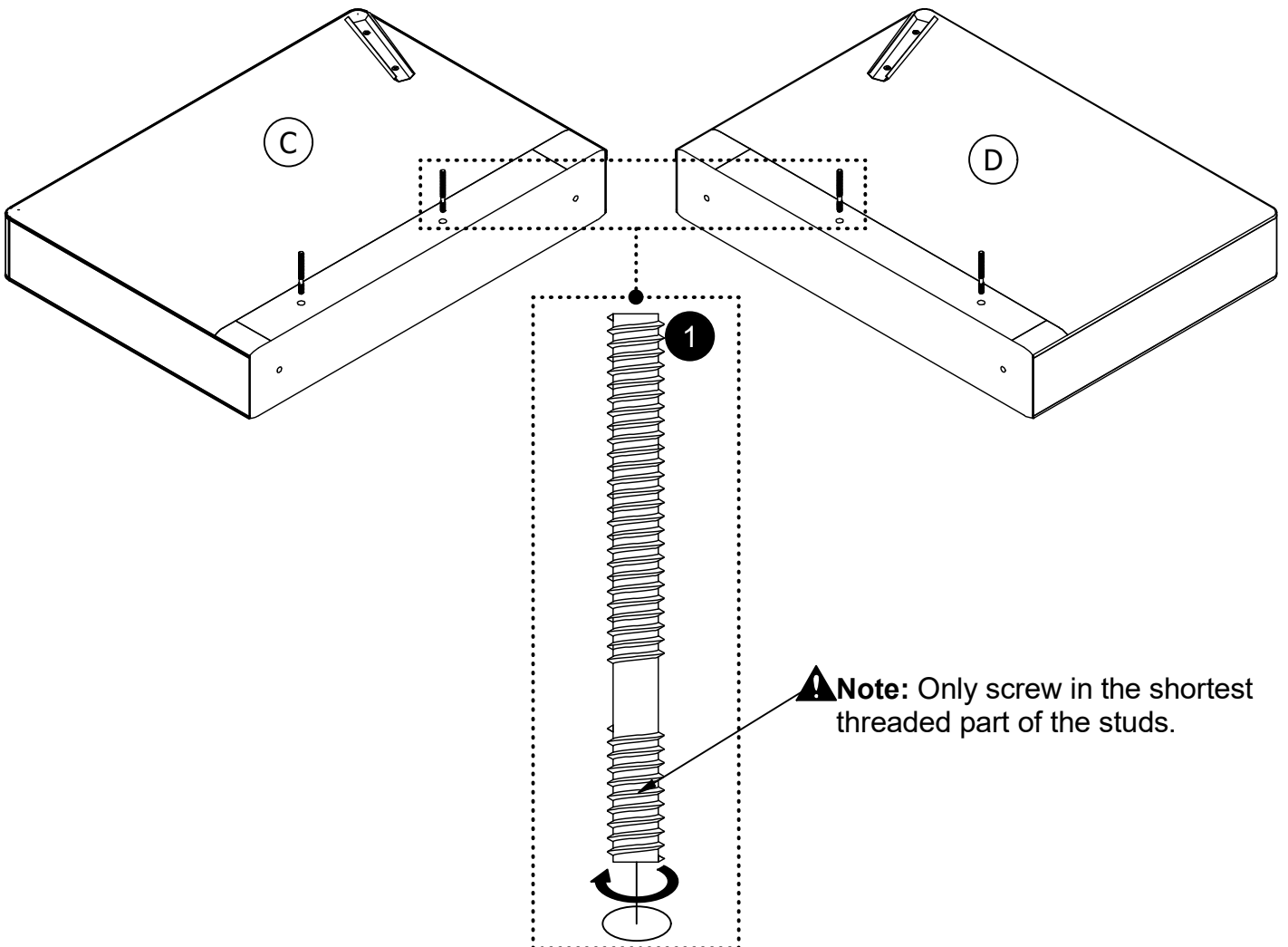
NUT
4 PCS

HARDWARE



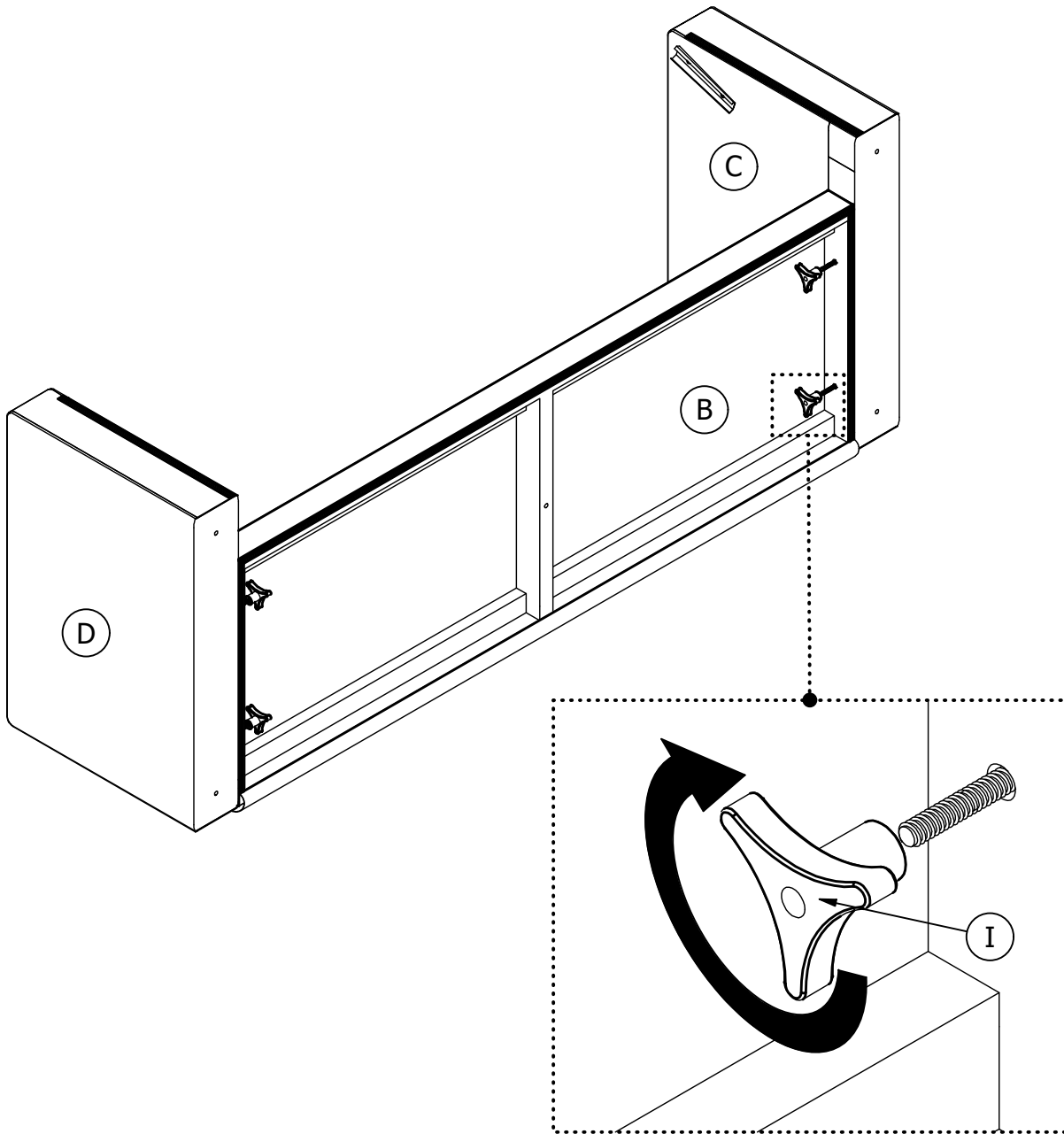
Studs 5/16" x 80mm
X 4

STEP 1: Hand tighten Stud ❶ to Armrest **C** & **D**, as shown.



STEP 2:

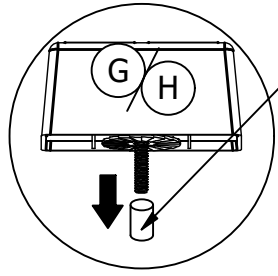
Attach Armrests **C** & **D** to Seat Panel **B** with Bolts **I** x 4, as shown.



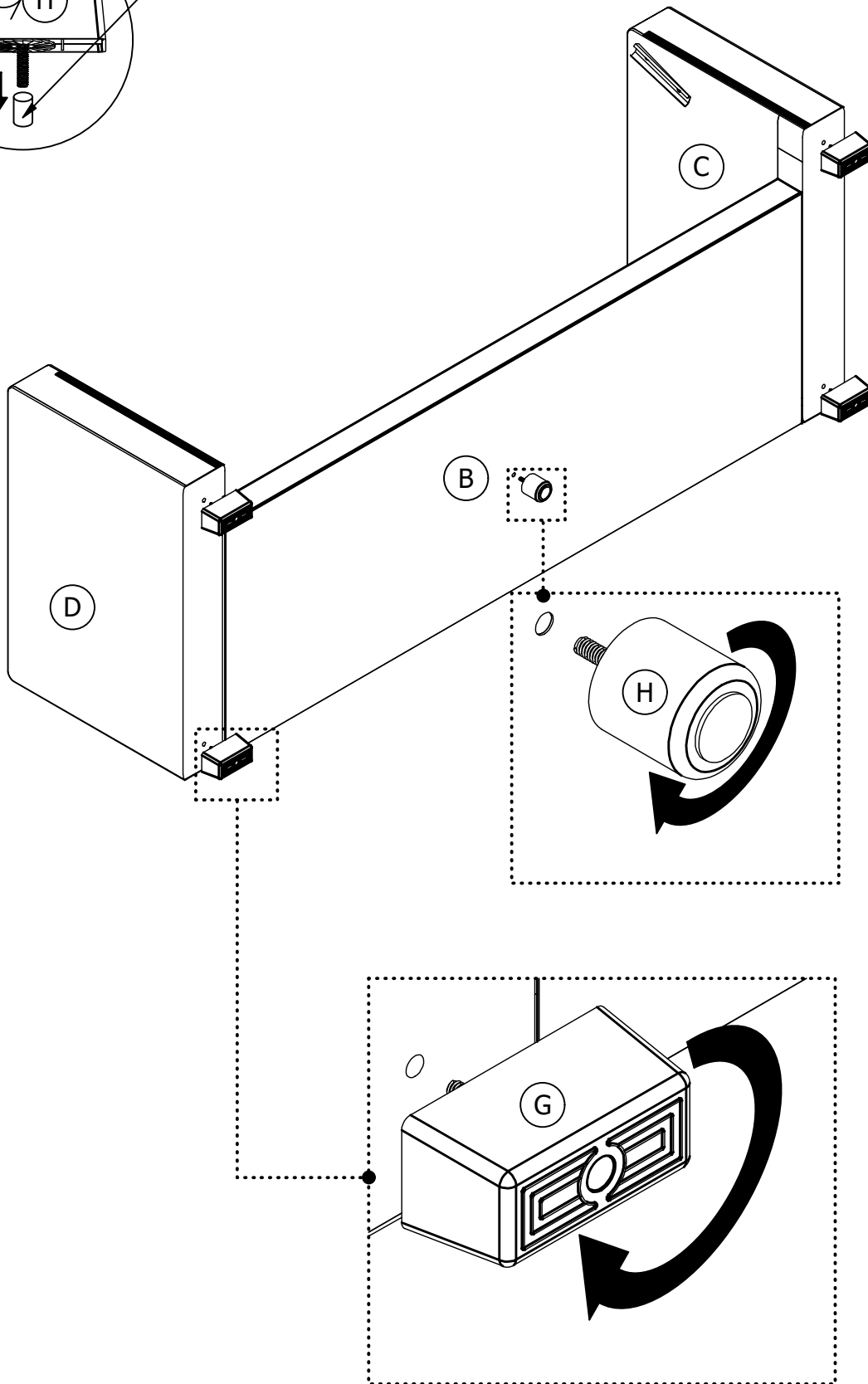
STEP 3:

Manually screw Leg **G** x 4 to armrests **C** & **D**.

Manually screw Support Leg **H** to Seat Panel **B**, as shown.



⚠ Please remove the protective cap on the tip of thread before assembling.

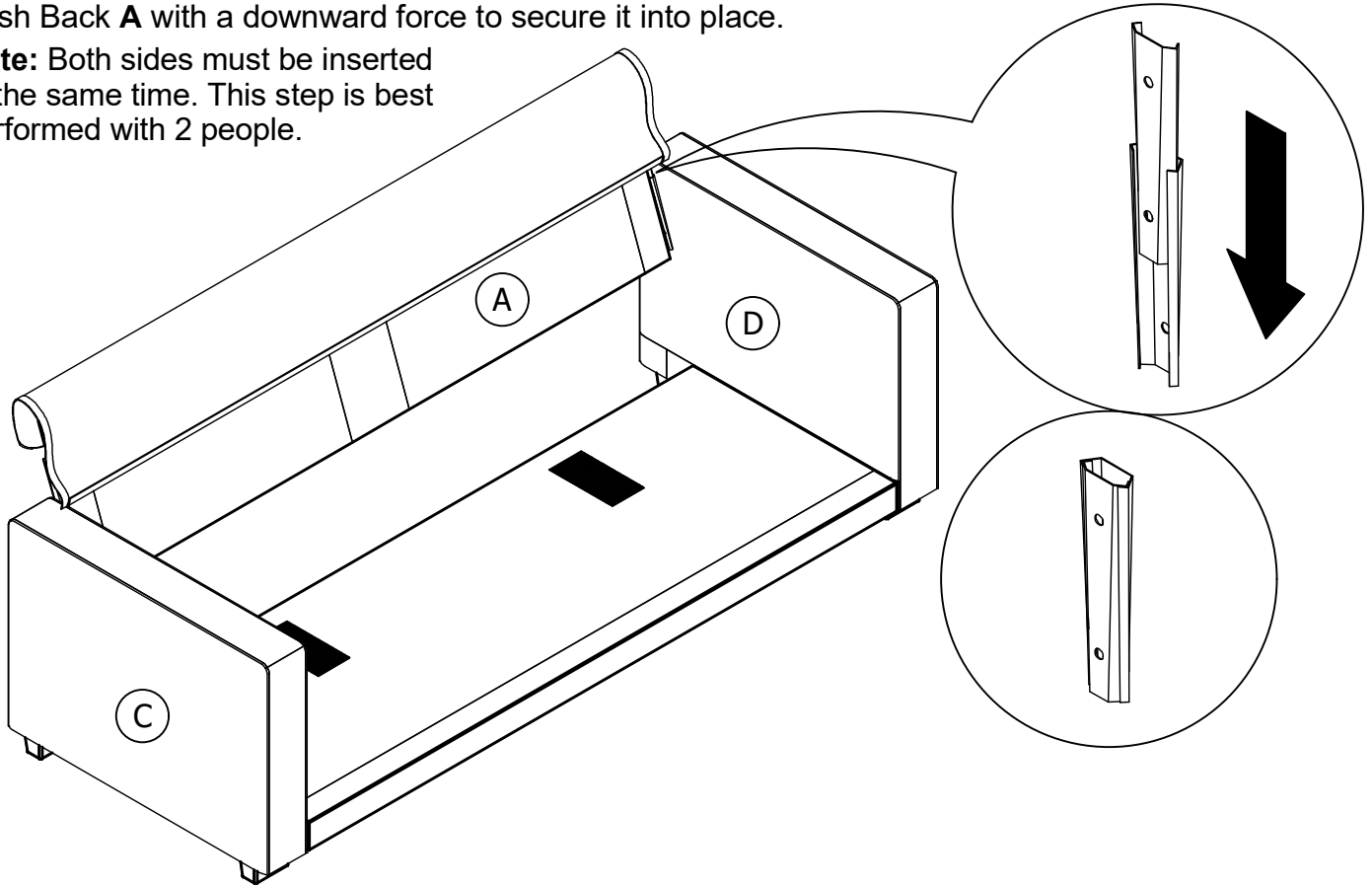


STEP 4:

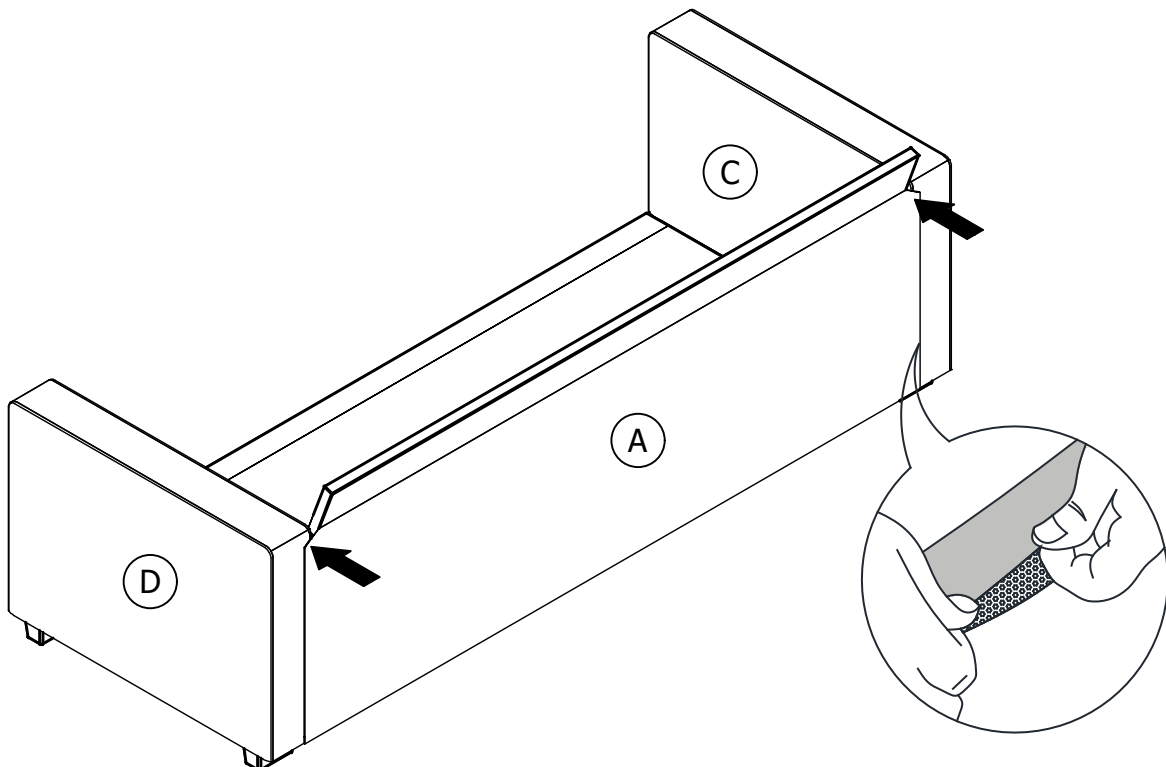
Attach Back **A** to Armrests **C** & **D** by inserting the brackets on Back **A** into the metal glides on Armrests **C** & **D**.

Push Back **A** with a downward force to secure it into place.

Note: Both sides must be inserted at the same time. This step is best performed with 2 people.

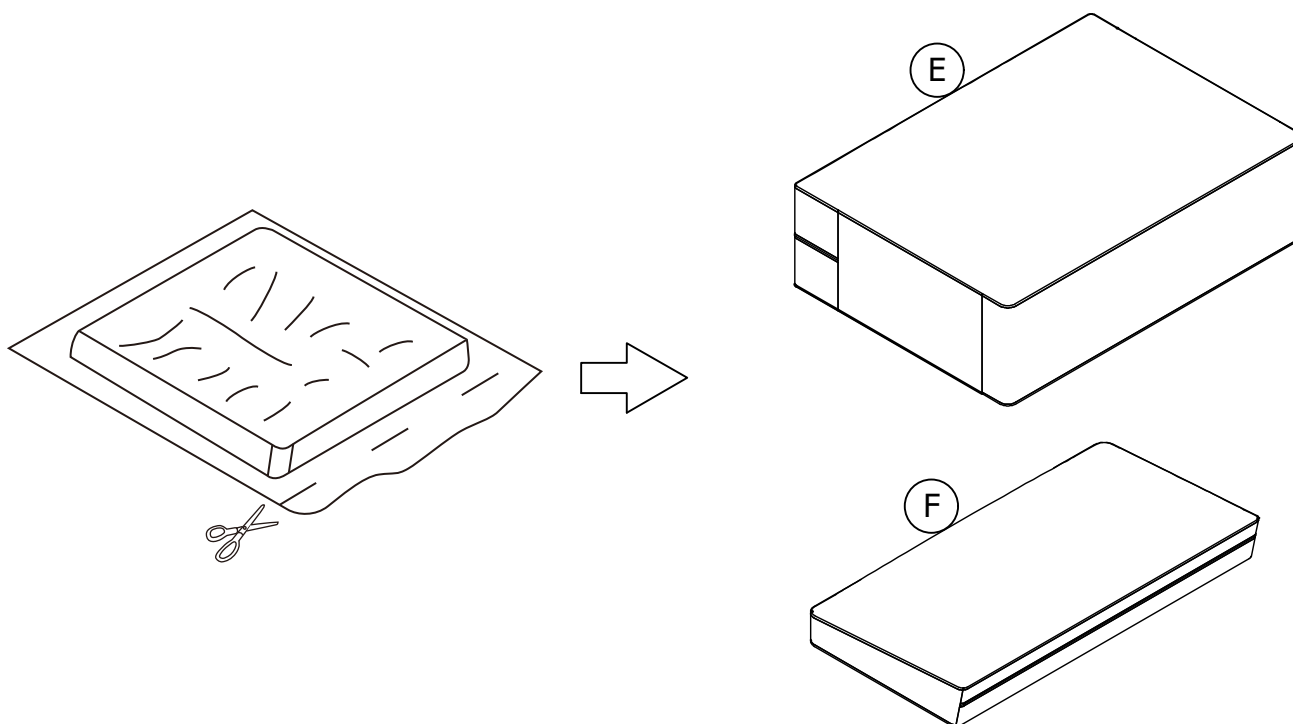


STEP 5: Secure the fabric flap on Back **A** to Armrests **C** & **D** using the Velcro strips.



Step 6:

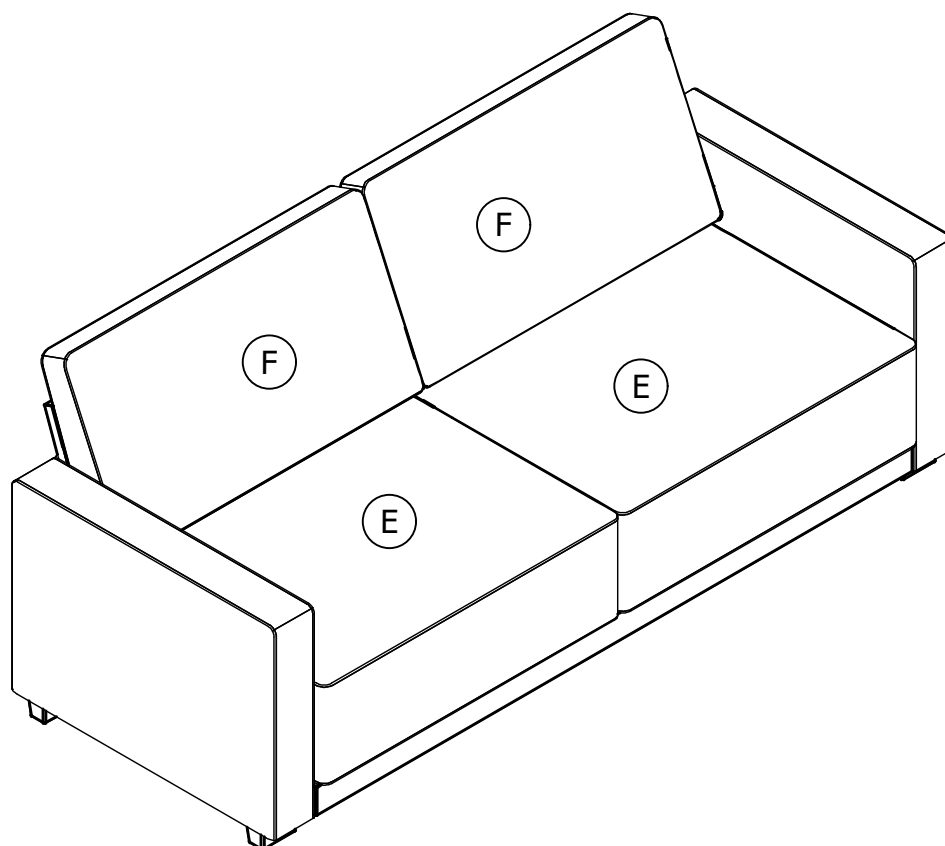
Remove the Cushion **E** x 2 & **F** x 2 from their vacuum sealed package.



⚠ Note: The cushions have been vacuum packed for transportation purposes. After unpacking, please allow up to 72 hours so that it can return to its original shape.

STEP 7:

Place Seat Cushion **E** x 2 and Back Cushion **F** x 2 onto the sofa.



Helpful Hints

- Move your new furniture carefully, with two people lifting and carrying the unit to its new location.
- Your furniture can be disassembled and reassembled to move.
- Clean the product with a soft damp cloth. DO NOT use harsh chemicals or abrasive cleaners.
- For further information please contact at sales4@jsanyee.com

