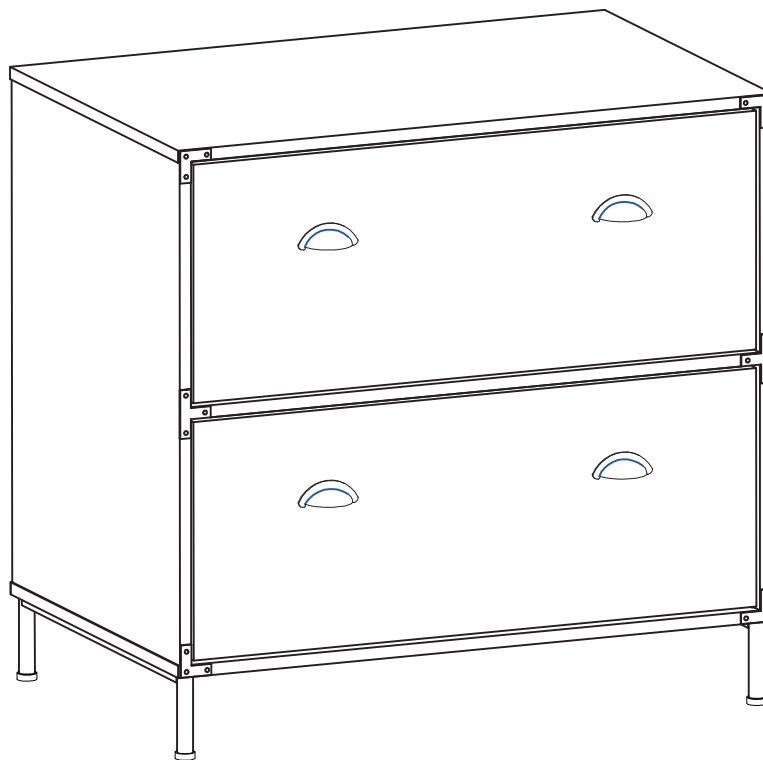


ASSEMBLY INSTRUCTIONS

Important Safety Instructions :

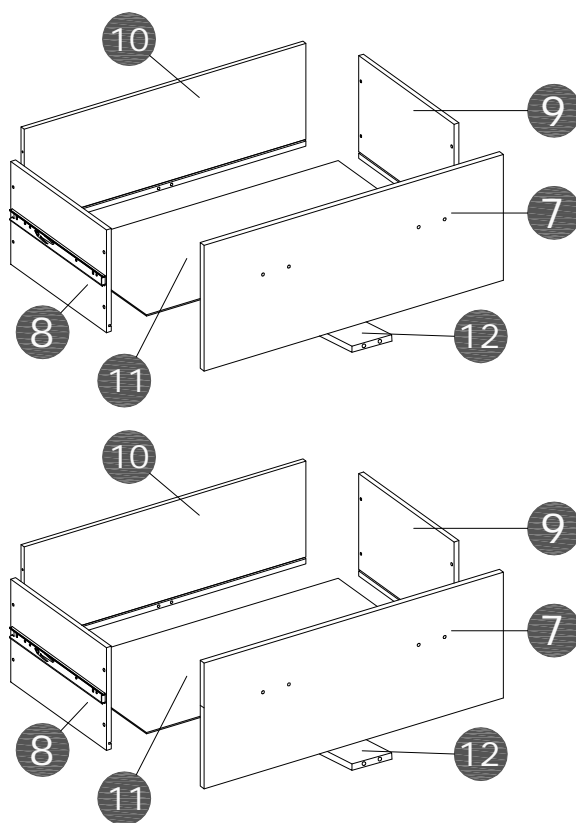
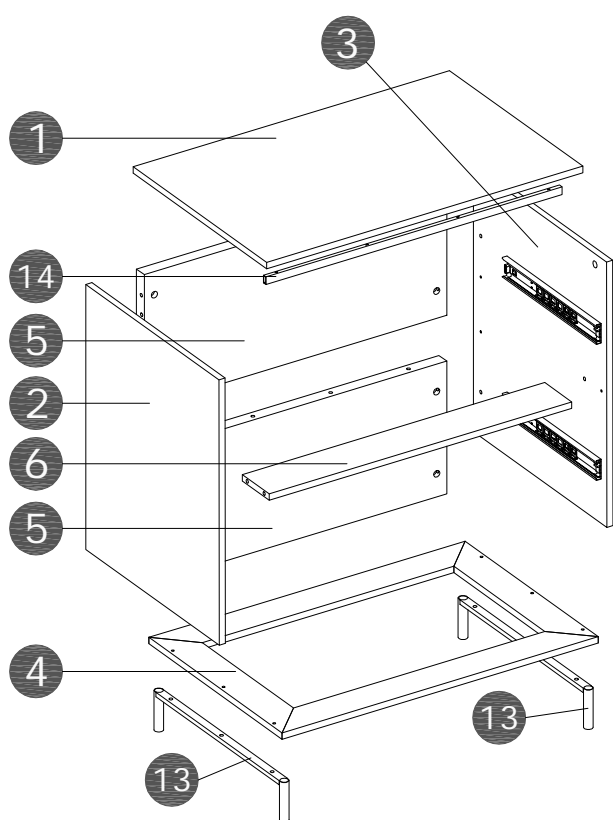
- Please read all instructions before beginning assembly
- Please make sure receive all the parcels to start the assembly
- For your safety and convenience, assembly by two people is recommended
- Use the parts and hardware lists to identify and separate each of the components included
- Save all packing materials until assembly is completed to avoid the accidental discarding of smaller parts or hardware



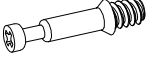





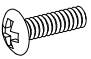
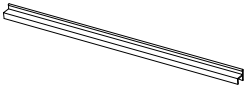
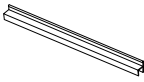

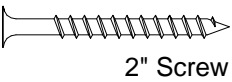
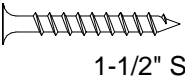
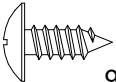
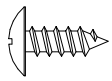

THANK YOU FOR PURCHASING

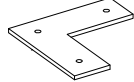

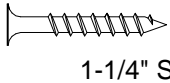
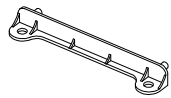
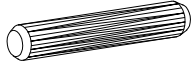
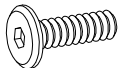



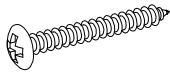

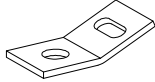
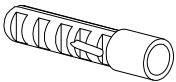

PARTS LIST

① X1	② X1	③ X1	④ X1	⑤ X2
⑥ X1	⑦ X2	⑧ X2	⑨ X2	⑩ X2
⑪ X2	⑫ X2	⑬ X2	⑭ X1	



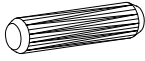
HARDWARE LIST

Name	Part	Qty.	Spare
A		14	1
B		14	1
C		10	1
D		4	
E		4	
F		4	
G		8	
H		2	
I		4	
J		2	
K	 2" Screw	6	
L	 1-1/2" Screw	12	
M	 9/16" Screw	8	
N	 1/2" Screw	16	1
O		18	2

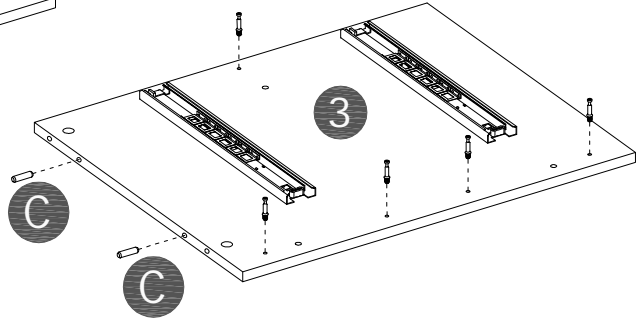
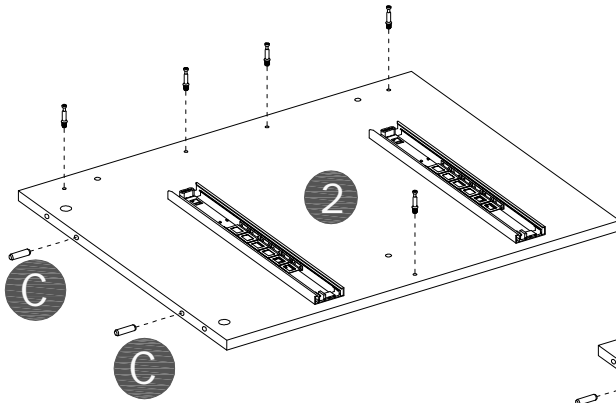
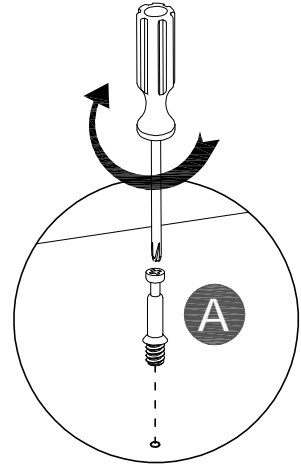
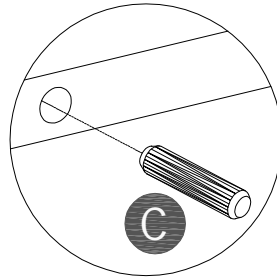
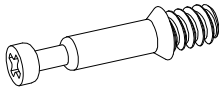
Name	Part	Qty.	Spare
P		4	
Q		2	
R	 1-1/4" Screw	4	
S		4	
T		4	
V		6	
W		1	
X		4	
Y		2	
U1		2	
U2		2	
U3		4	
U4		2	
U5		2	

STEP 1

C x4pcs



A x10pcs

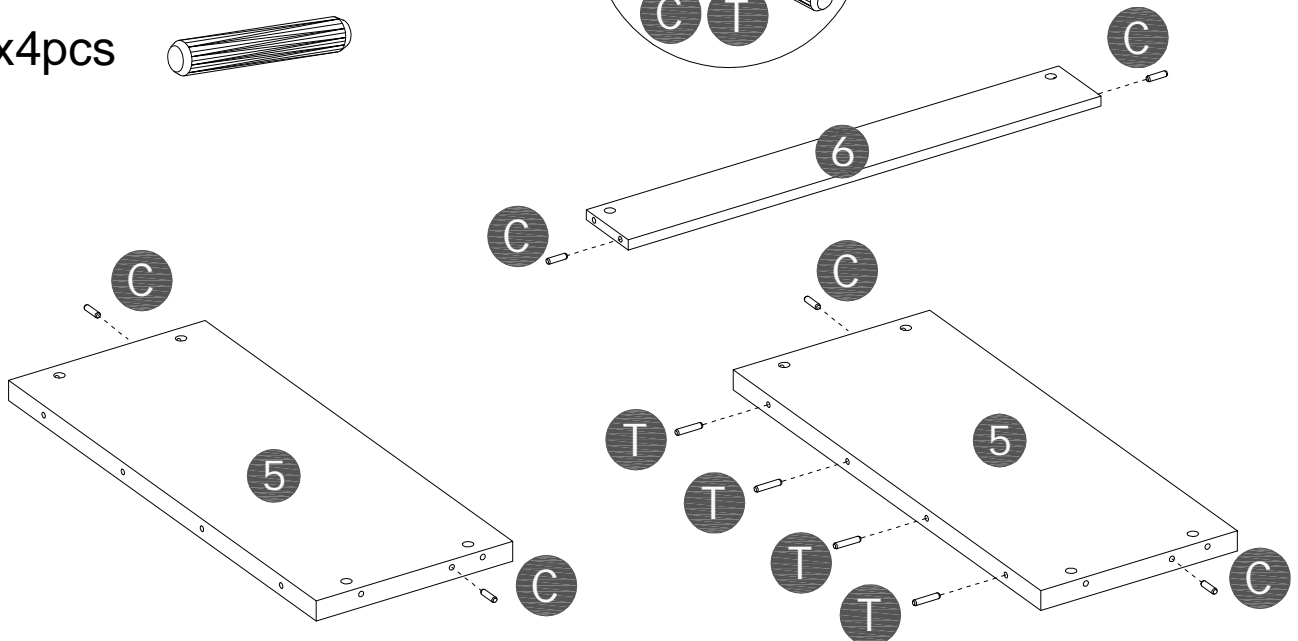
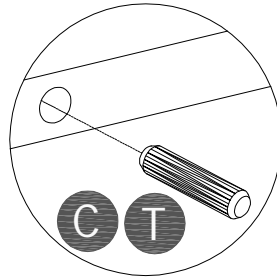


STEP 2

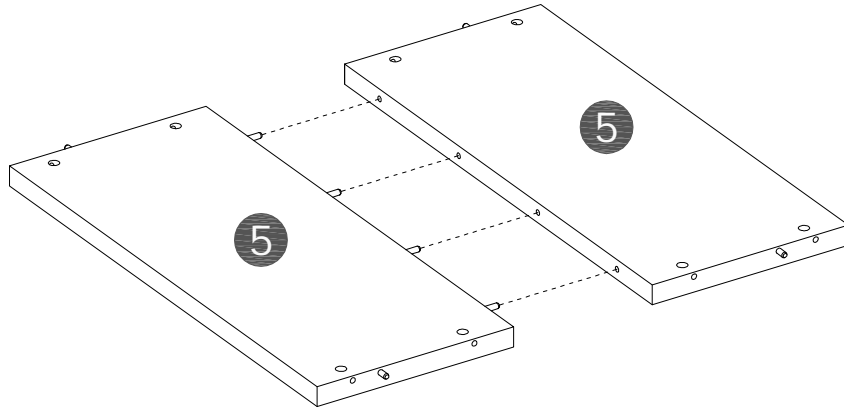
C x6pcs



T x4pcs

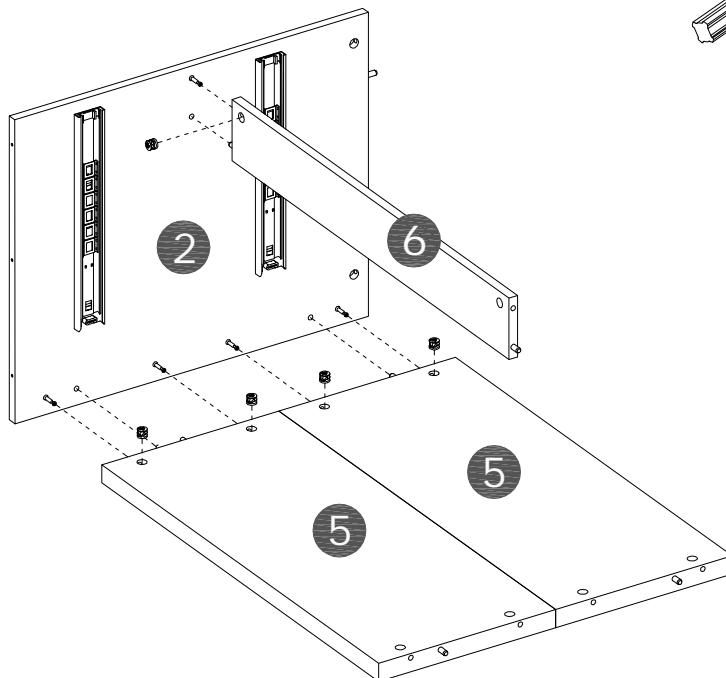
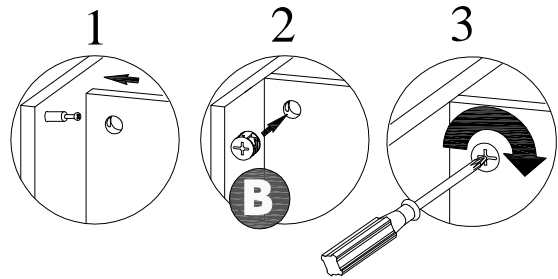


STEP 3



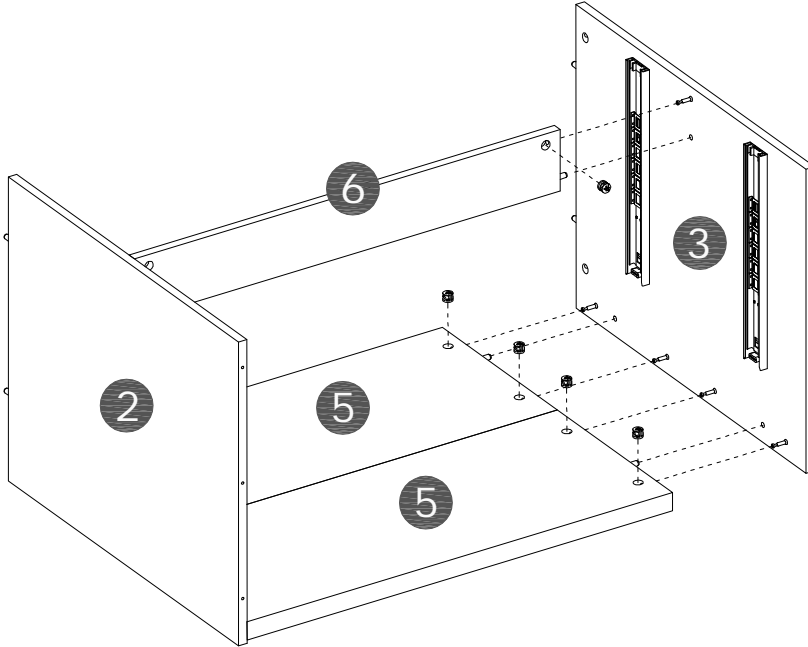
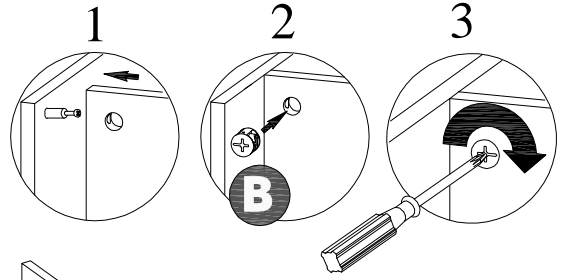
STEP 4

B x5pcs



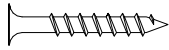
STEP 5

B x5pcs

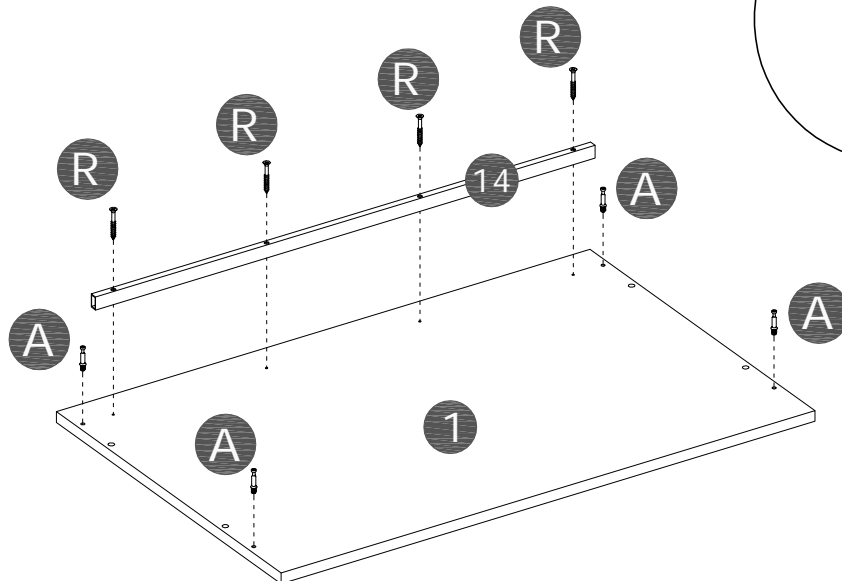
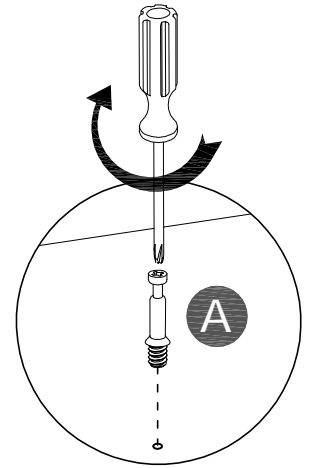
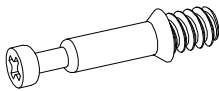


STEP 6

R x4pcs

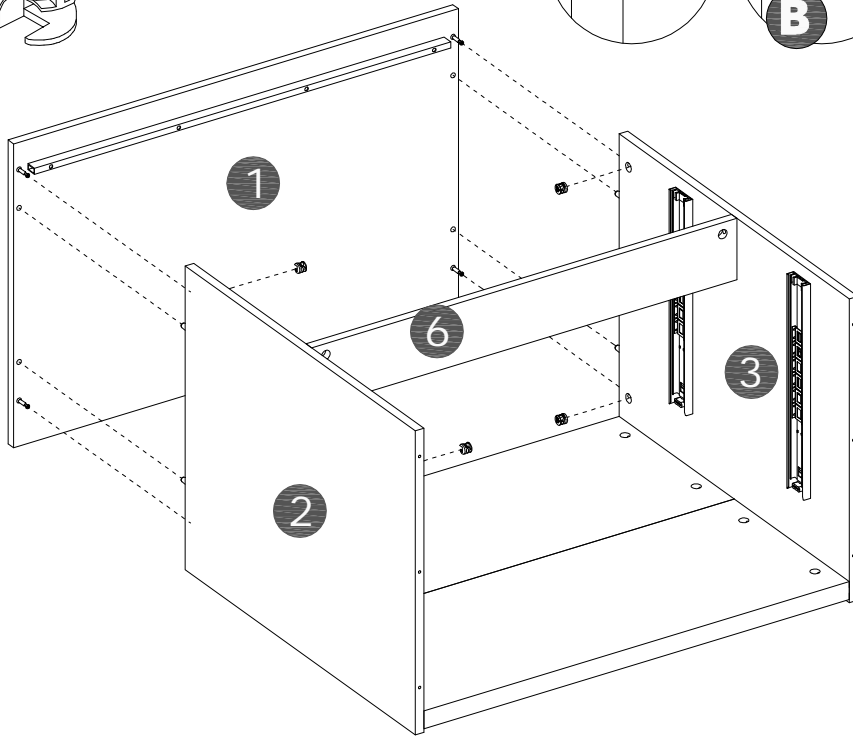
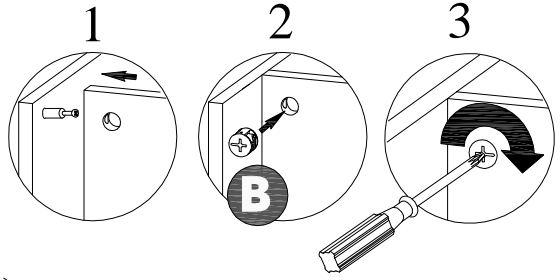


A x4pcs



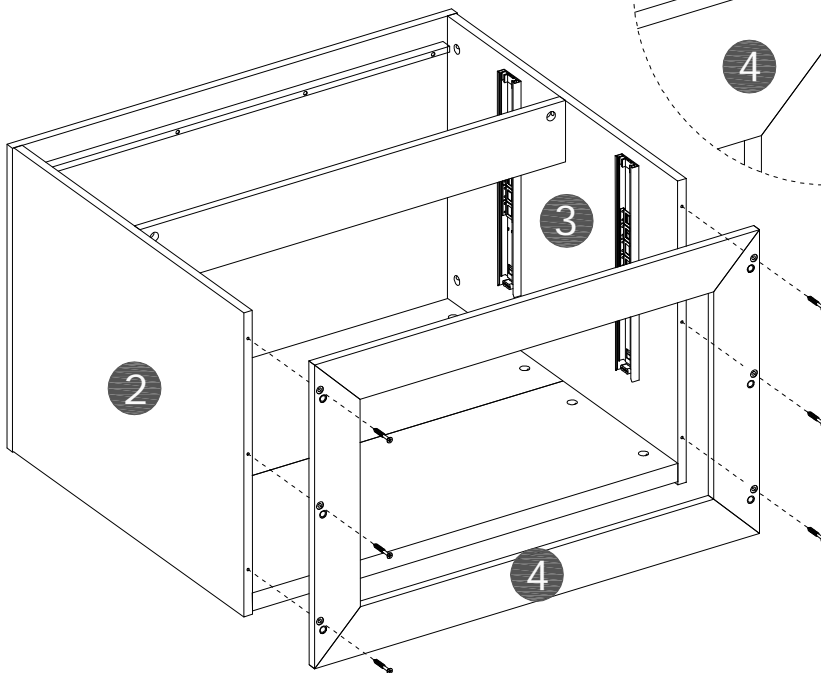
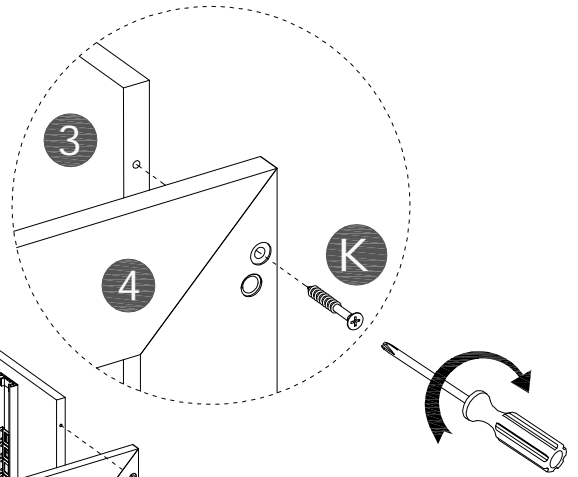
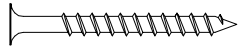
STEP 7

B x4pcs



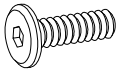
STEP 8

K x6pcs

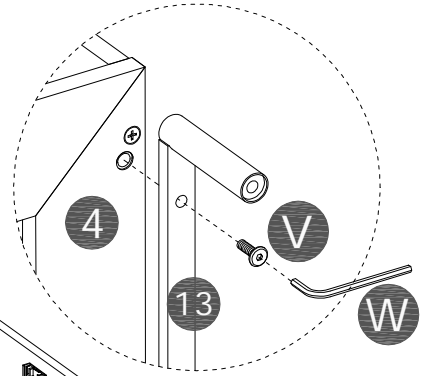
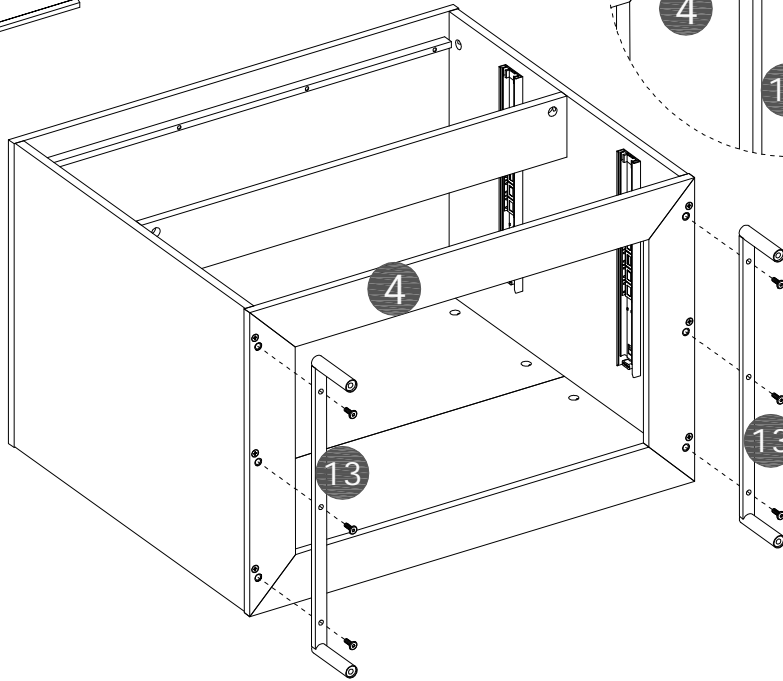
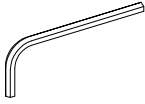


STEP 9

V x6pcs

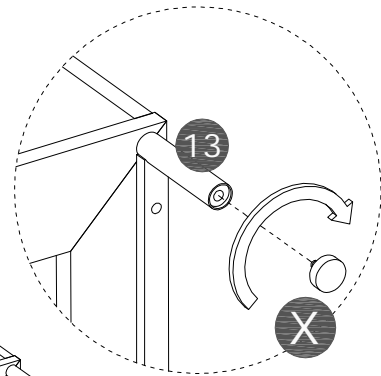
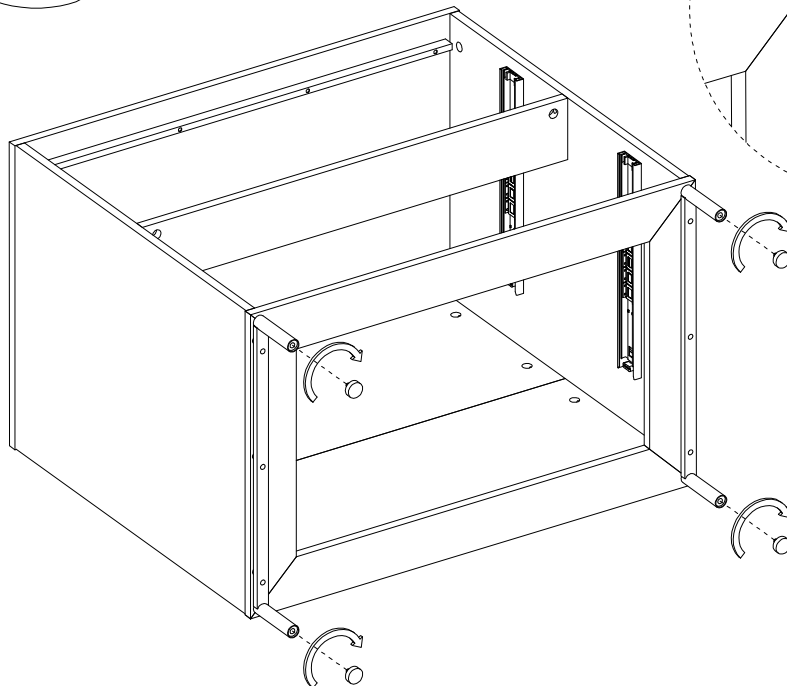


W x1pcs



STEP 10

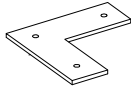
X x4pcs



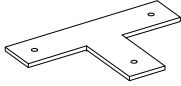
STEP 11

Peel off the adhesive sticker's protective paper and bond it onto the designated position before secure with nails.

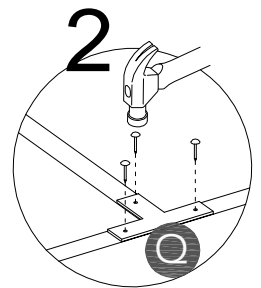
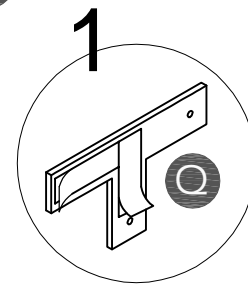
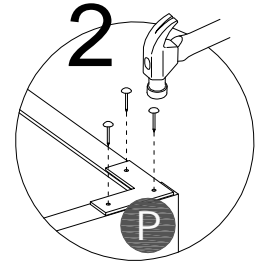
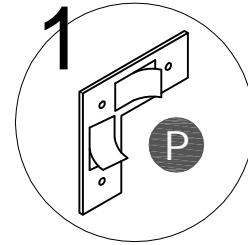
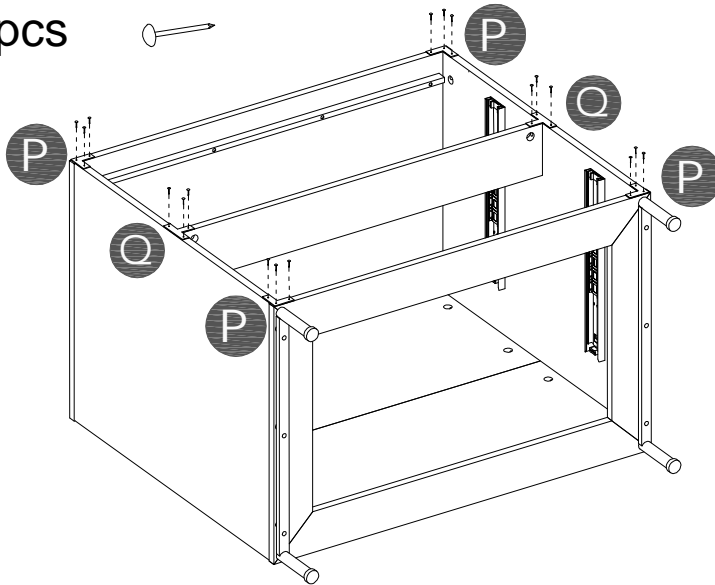
P x4pcs



Q x2pcs

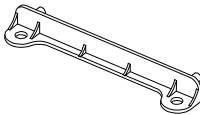


O x18pcs

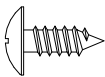


STEP 12

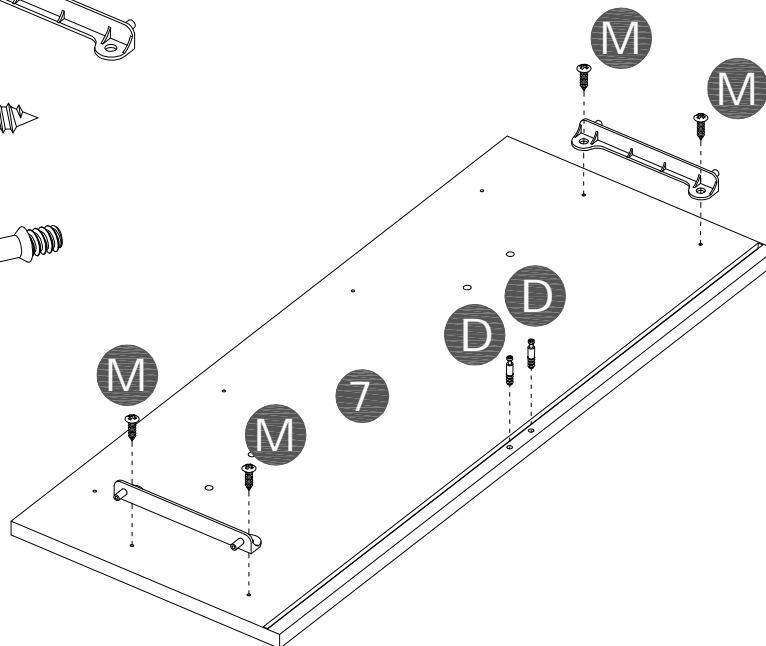
S x4pcs



M x8pcs



D x4pcs

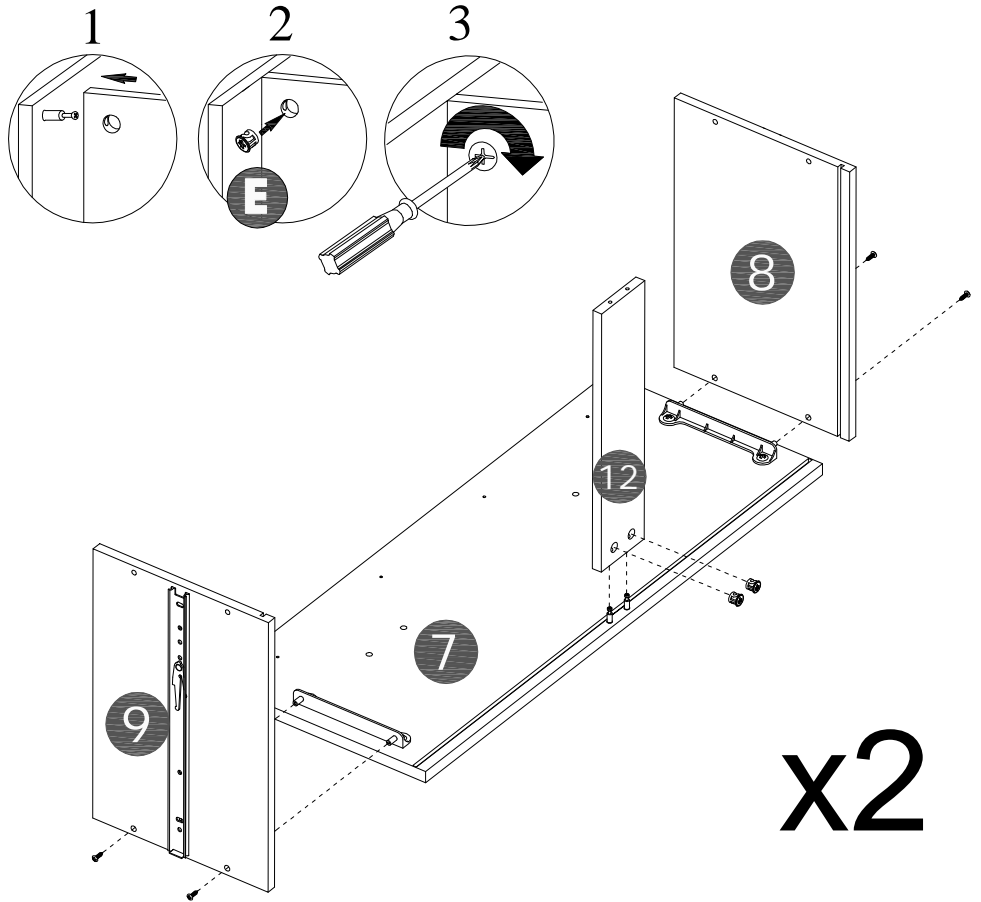


x2

STEP 13

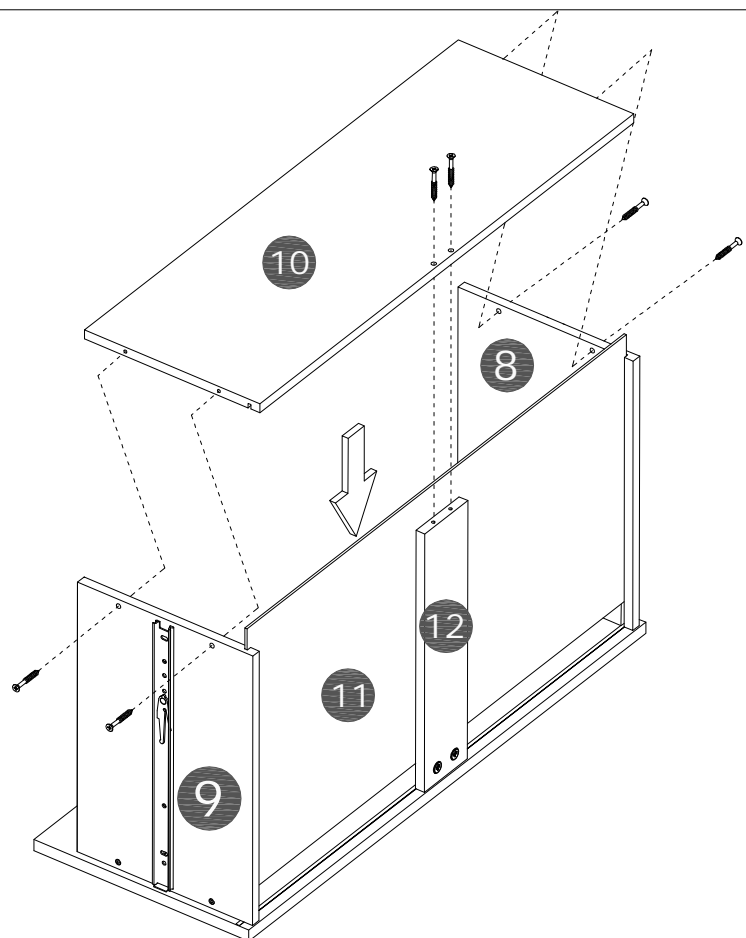
N x8pcs 

E x4pcs 



STEP 14

L x12pcs 

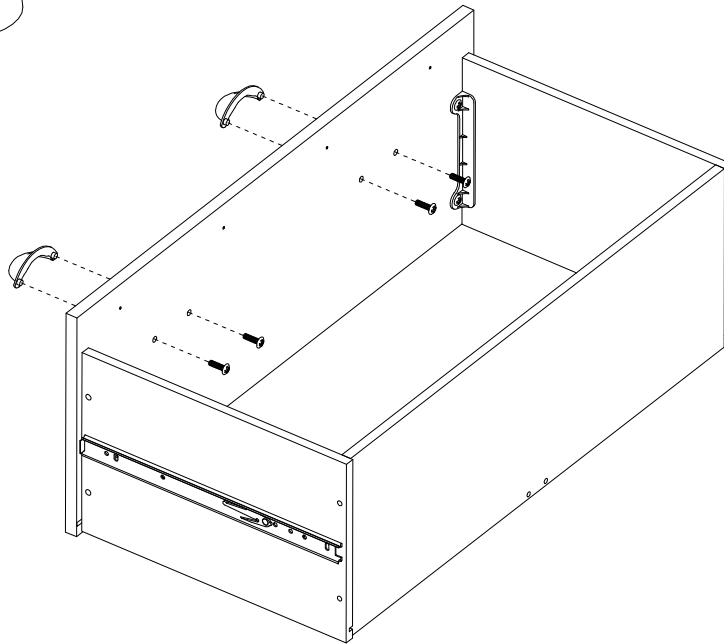


STEP 15

F x4pcs



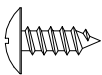
G x8pcs



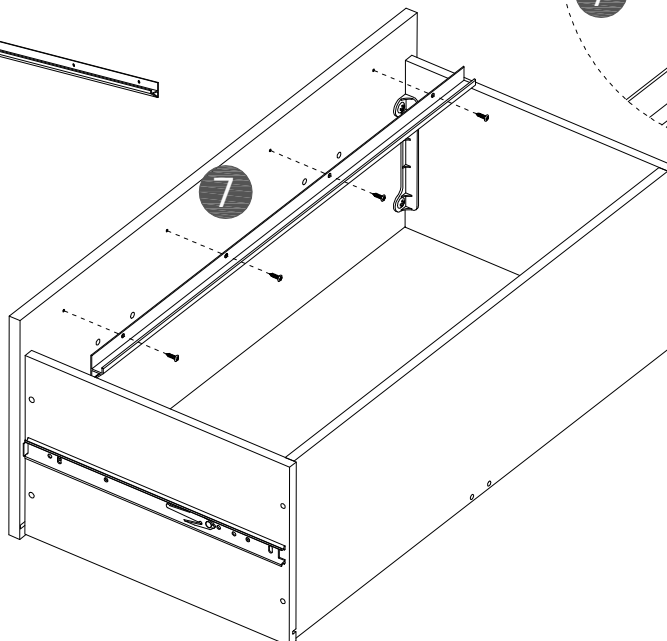
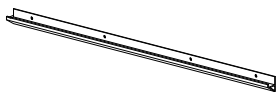
x2

STEP 16

N x8pcs



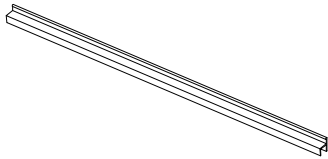
Y x2pcs



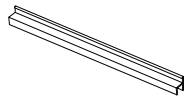
x2

STEP 17

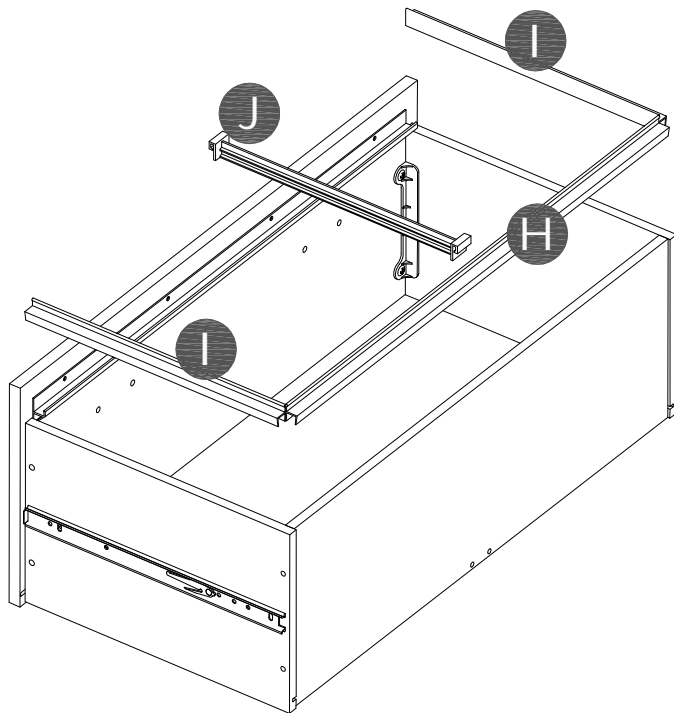
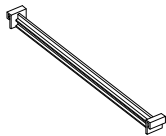
H x2pcs



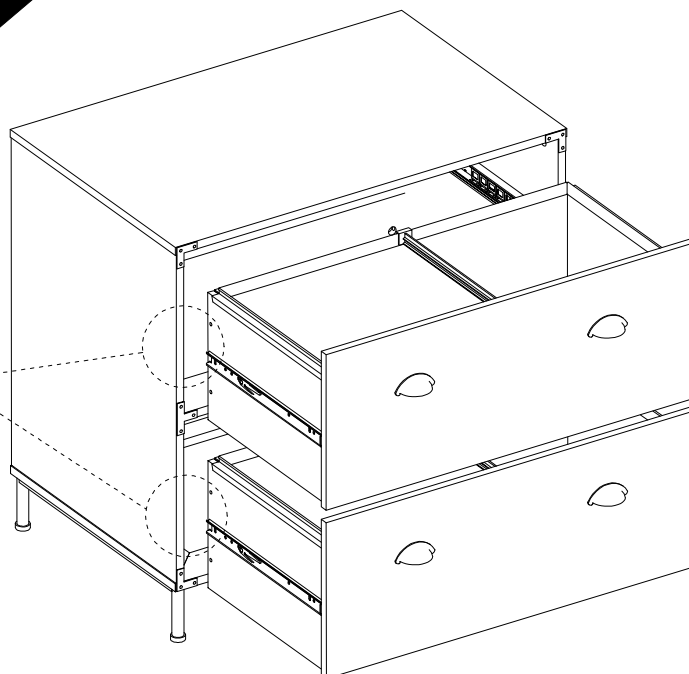
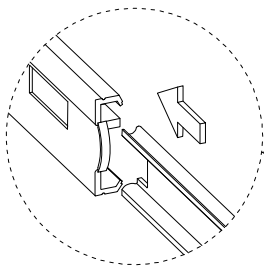
I x4pcs



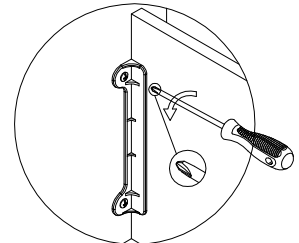
J x2pcs



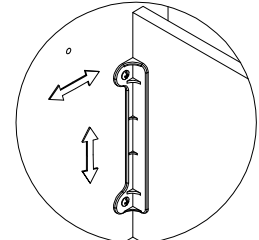
STEP 18



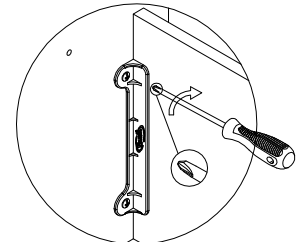
STEP 1.



STEP 2.



STEP 3.



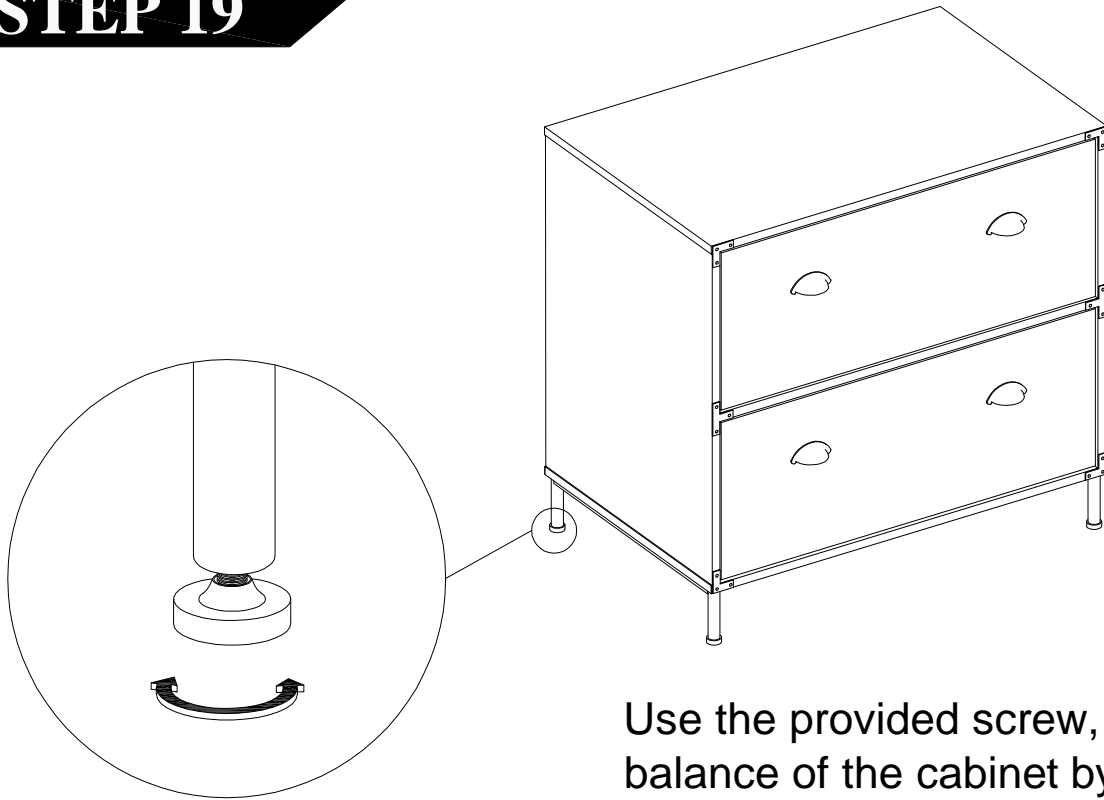
- Move unit to final location.
- Adjust drawer fronts as shown below.

Step1--Loosen screws on back of drawer front brackets as shown.

Step2--Position drawer front as required.

Step3--Tighten screws while holding drawer front in position.

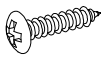
STEP 19



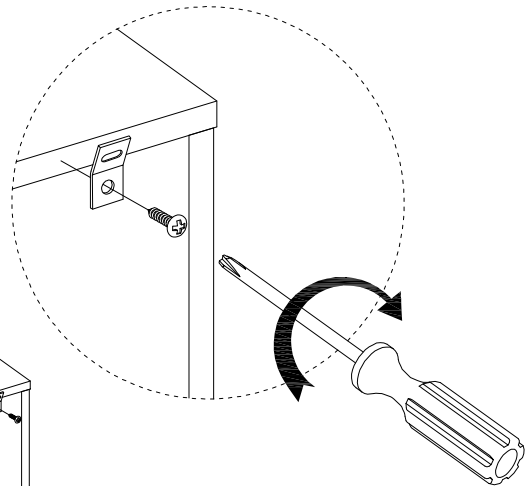
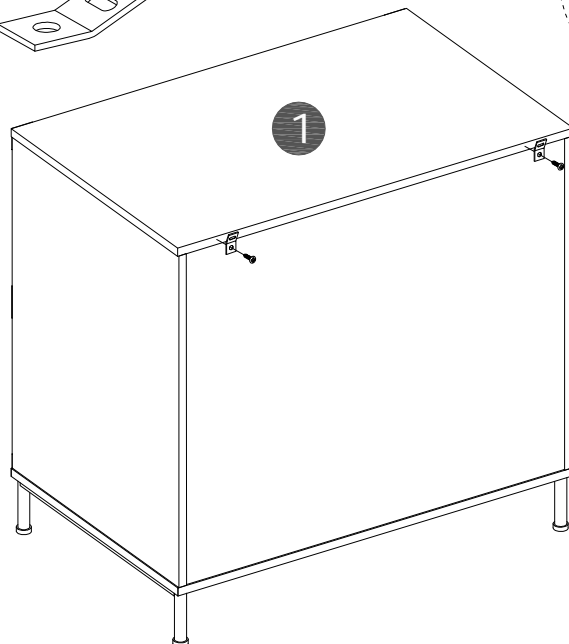
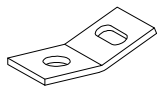
Use the provided screw, to adjust the balance of the cabinet by attaching it to the bottom of the leg.

STEP 20

U₂ x2pcs

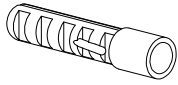


U₃ x2pcs

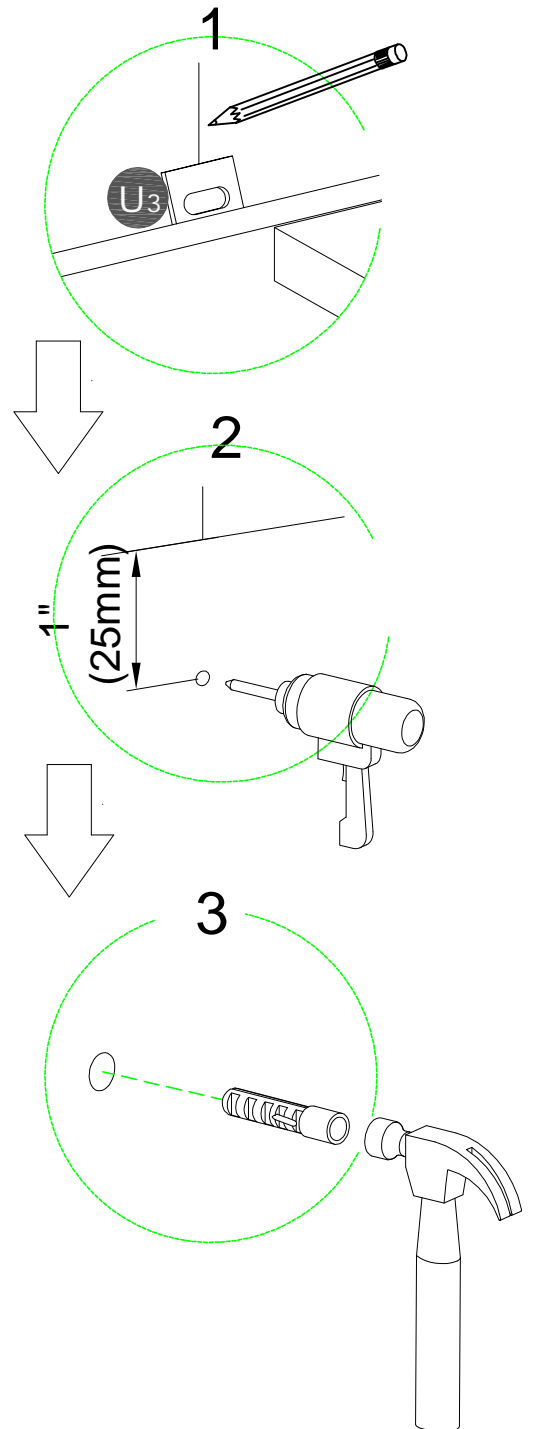
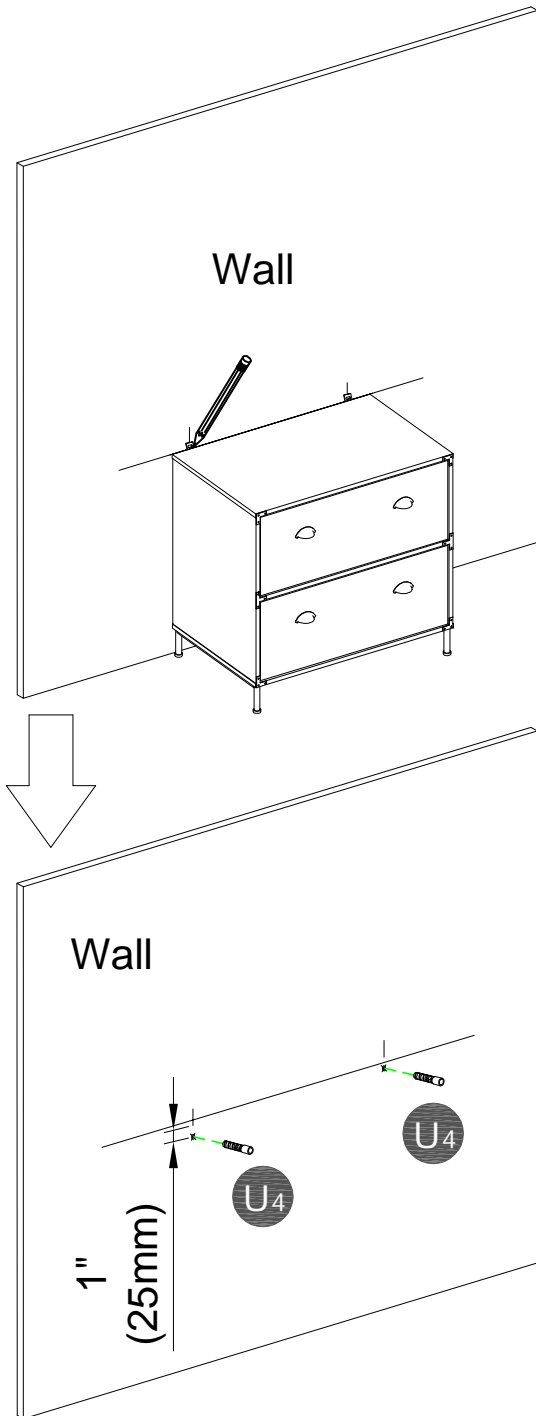


STEP 21

U₄ x2pcs



1. Place unit in desired location.
2. Mark stud location on the wall, 1" below top and side of unit.
3. Drill 5/16" hole 2" deep at marks on the wall.



STEP 22

U₁ x2pcs 

U₃ x2pcs 

U₅ x2pcs 