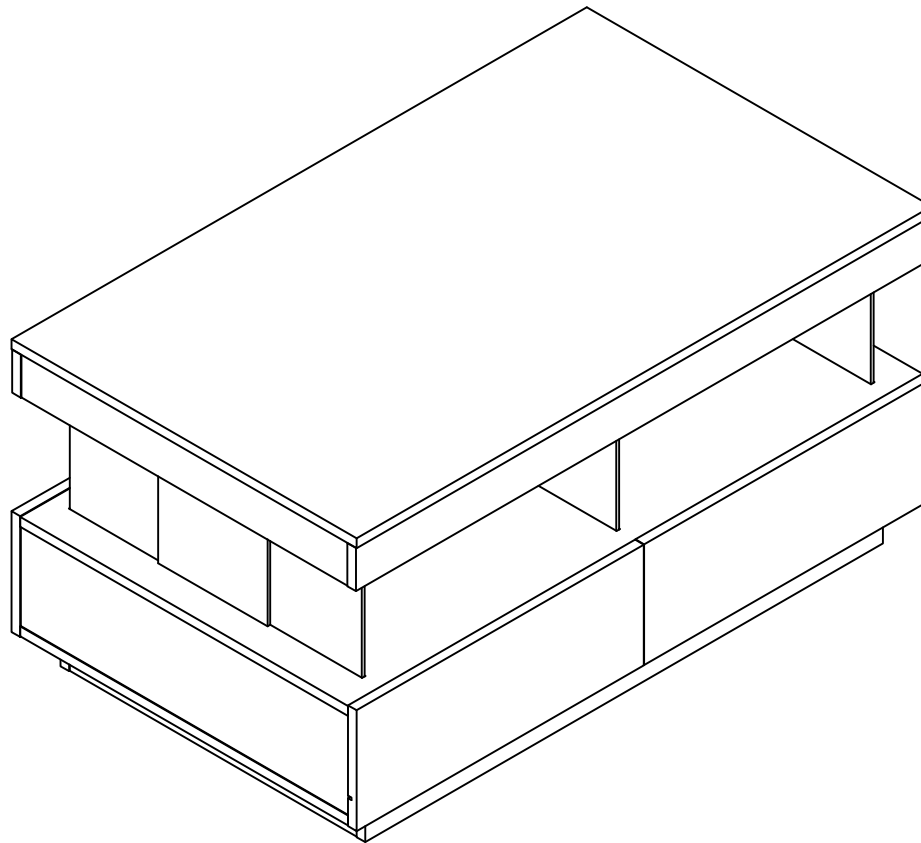
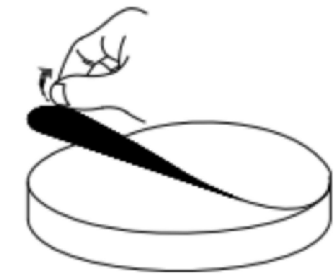
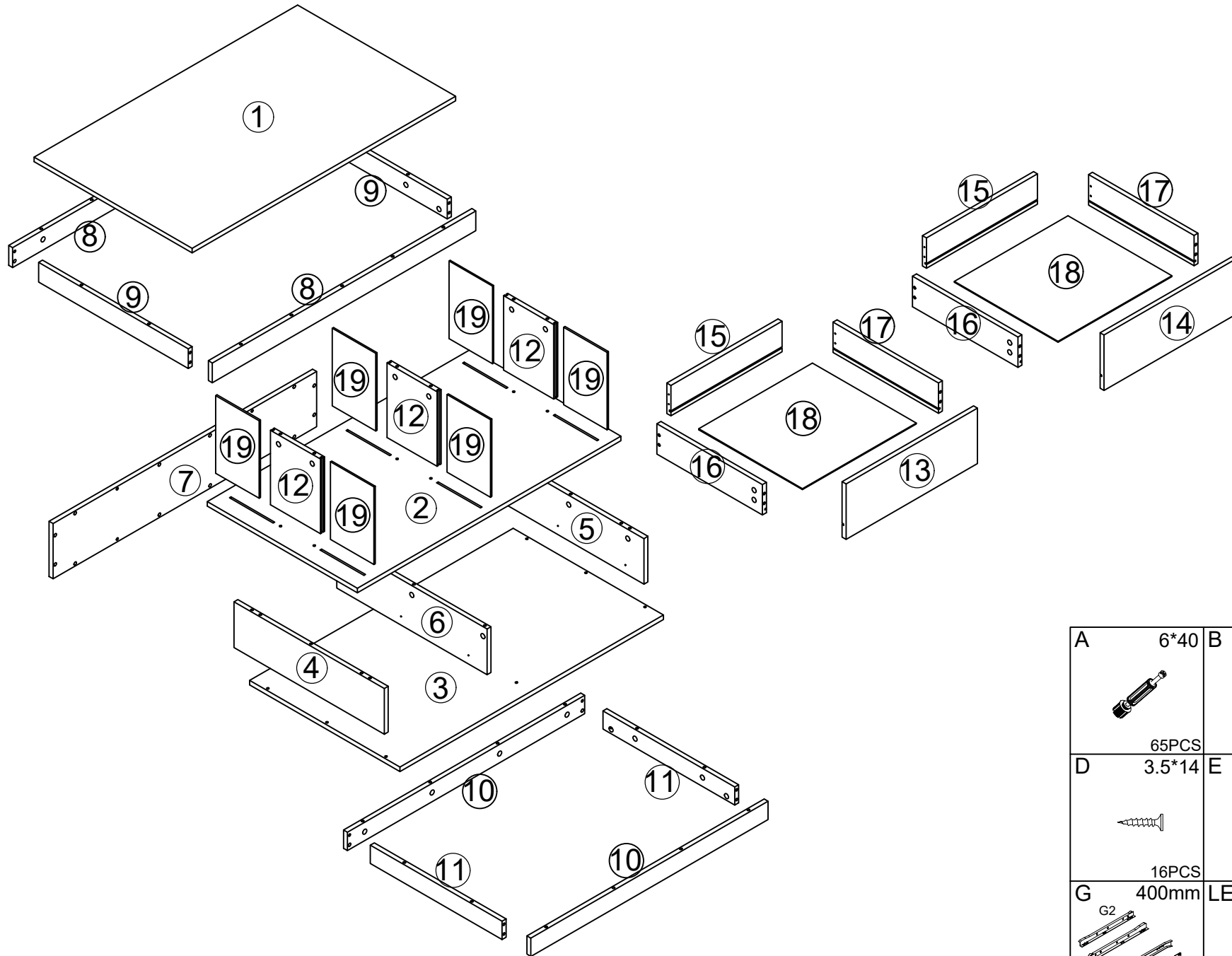




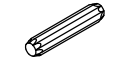
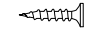
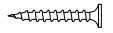
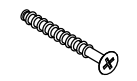
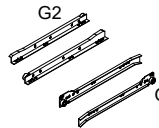
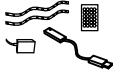
The Coffee Table set is delivered with 2 boxes. We recommend assembling the set after you receive all the boxes.



PLEASE NOTE: The table top is covered with a tight plastic protective film. If there are scratches on the product after disassembly, please don't worry, it's not product damage. Please slowly tear off the protective plastic film on the surface along the edge. After peeling off, the product becomes smooth and clean.





<p>A 6*40</p>  <p>65PCS</p>	<p>B 14*11</p>  <p>65PCS</p>	<p>C 8*40</p>  <p>20PCS</p>
<p>D 3.5*14</p>  <p>16PCS</p>	<p>E 3.5*35</p>  <p>8PCS</p>	<p>F 7*50</p>  <p>15PCS</p>
<p>G 400mm</p>  <p>2PCS</p>	<p>LED</p>  <p>1PCS</p>	

TOOLS



Hardware Ctn No.

WF304444

P.2

WF304443

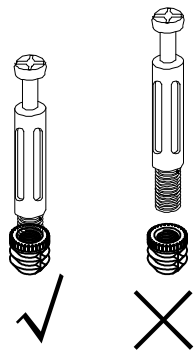
WF304444

No.	Size	Qty
①	1000x600x15mm	1
②	1000x570x15mm	1
③	1000x570x15mm	1
⑦	1000x182x15mm	1
⑧	1000x65x15mm	2
⑩	900x60x15mm	2
⑱	431.5x394x3mm	2

No.	Size	Qty
④	150x570x15mm	1
⑤	150x570x15mm	1
⑥	150x570x15mm	1
⑨	568x65x15mm	2
⑪	500x60x15mm	2
⑫	245x190x15mm	3
⑬	499x182x15mm	1
⑭	499x182x15mm	1
⑮	421.5x100x15mm	2
⑯	400x100x15mm	2
⑰	400x100x15mm	2
⑲	255x165x5mm	6

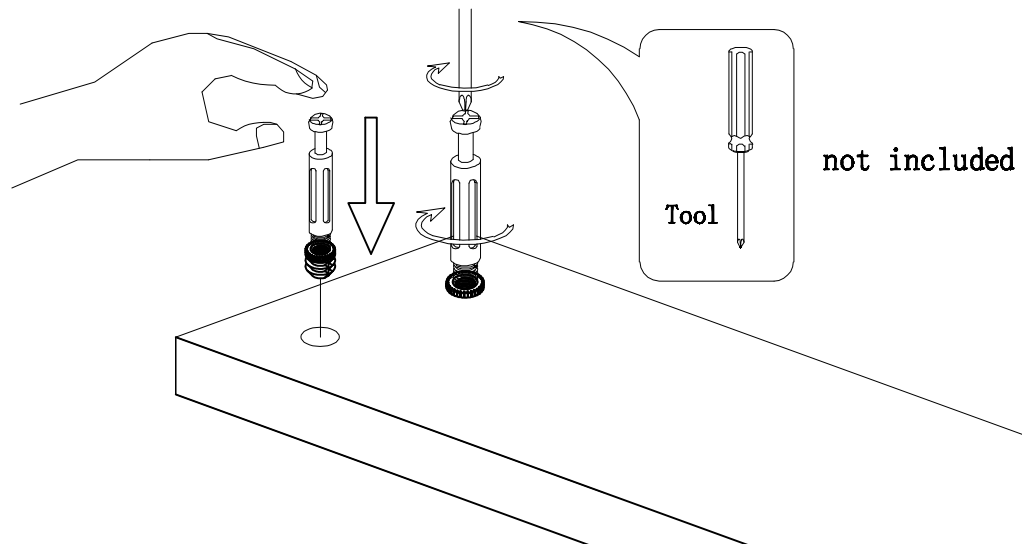
"A" Hardware installation example

I

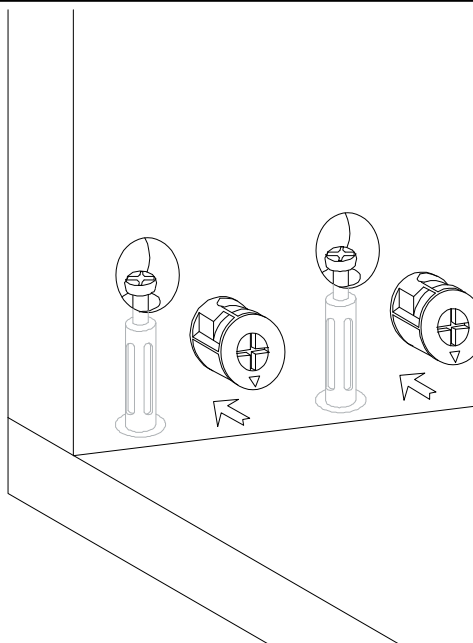


This part cannot be separated,
please install in strict
accordance with the assembly
requirements

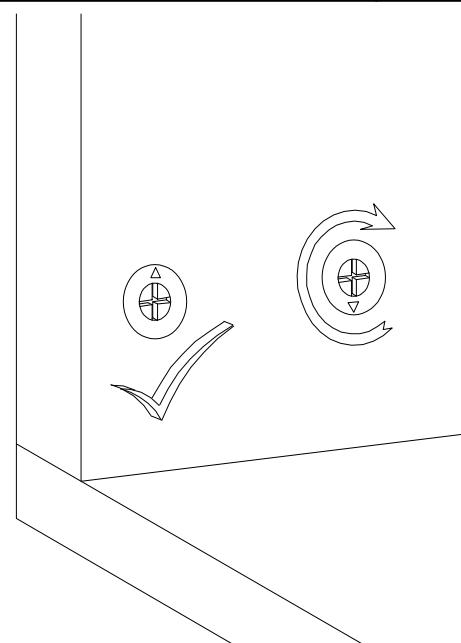
II



III

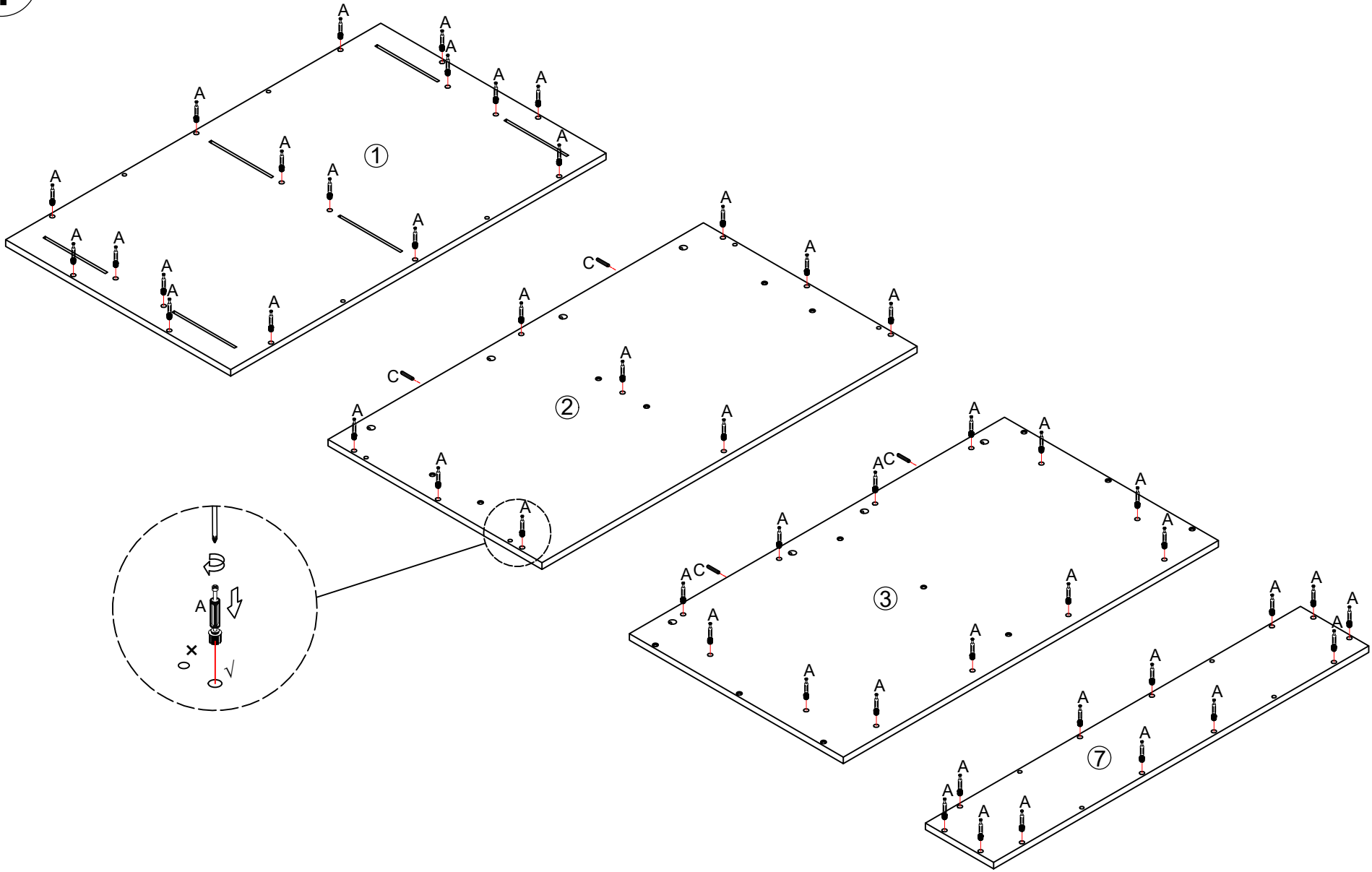


IV

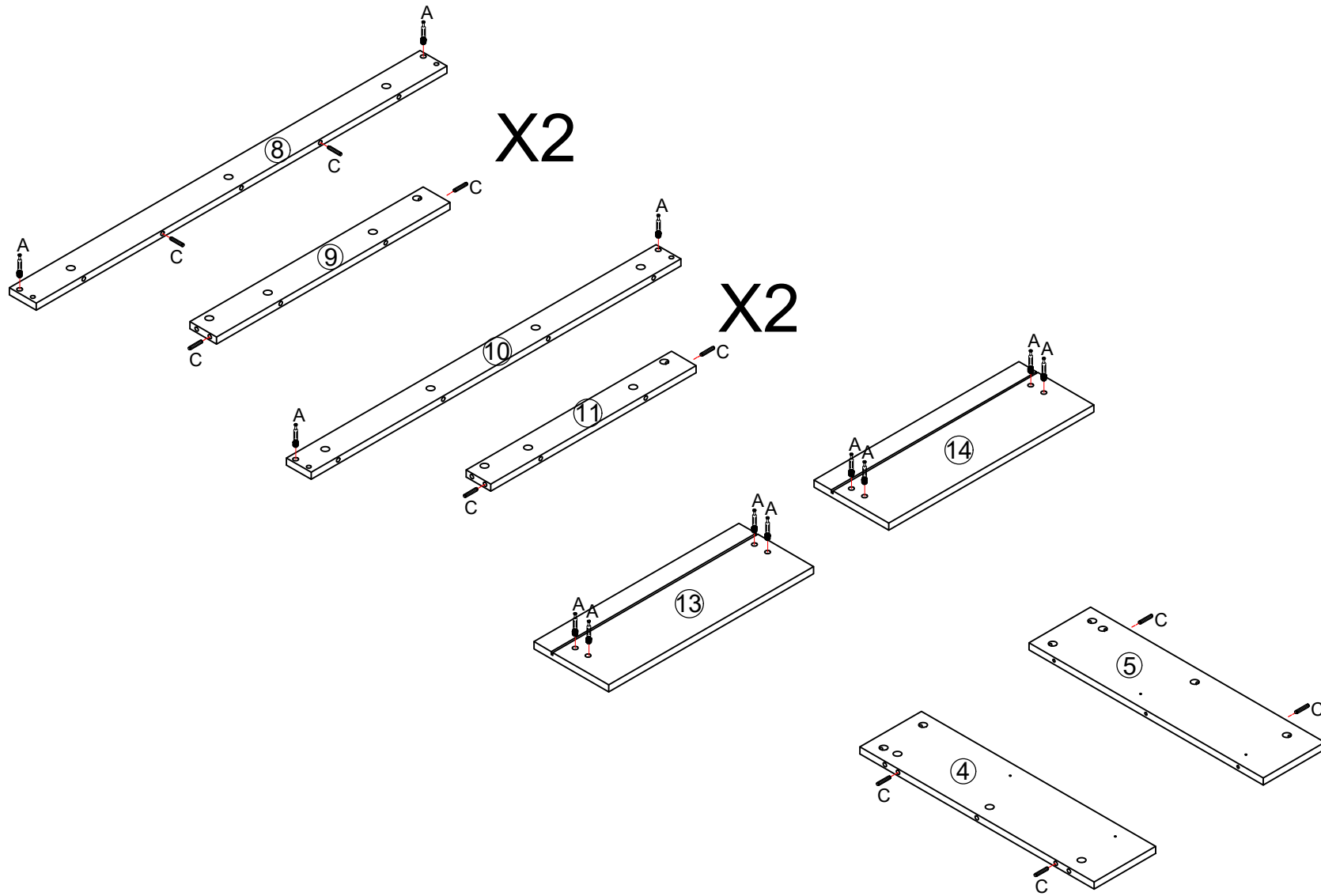



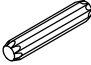
1

P.3

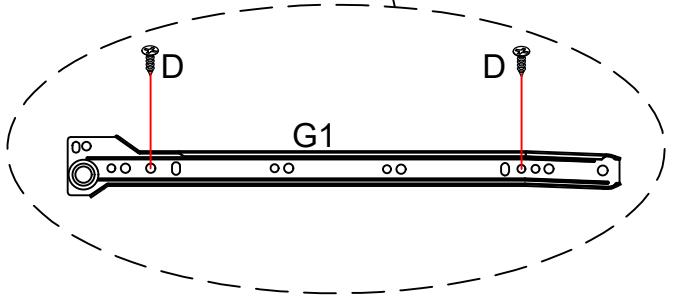
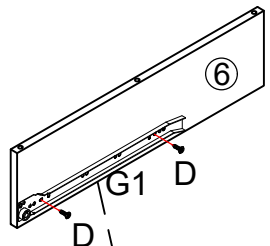
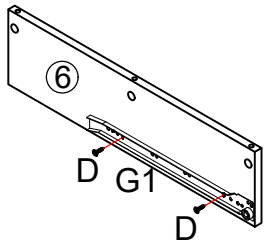
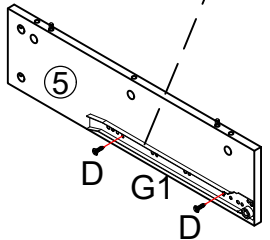
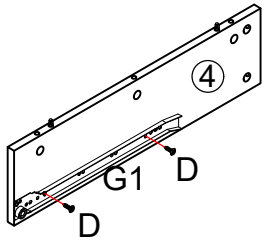
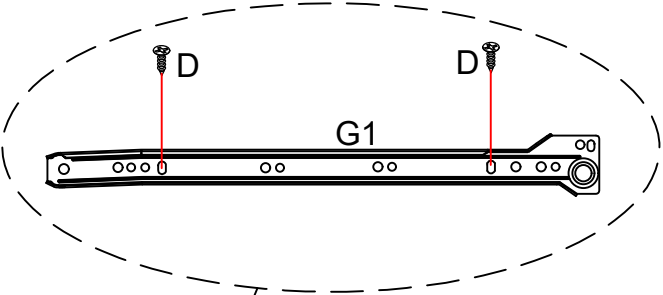


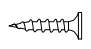
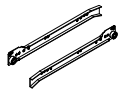
A	C
49PCS	4PCS



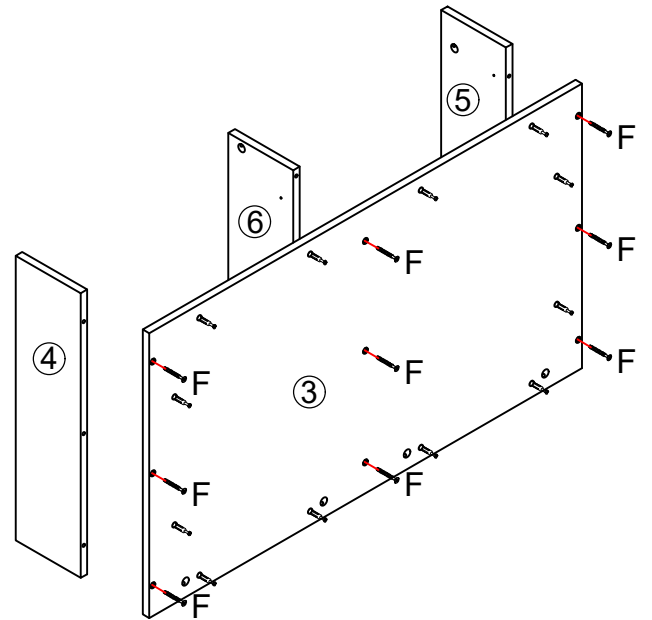
<p>A</p>  <p>16PCS</p>	<p>C</p> <p>8*40</p>  <p>16PCS</p>
---	---

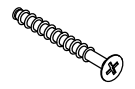
3



D	3.5*14	G1	400mm
			
8PCS		2PCS	

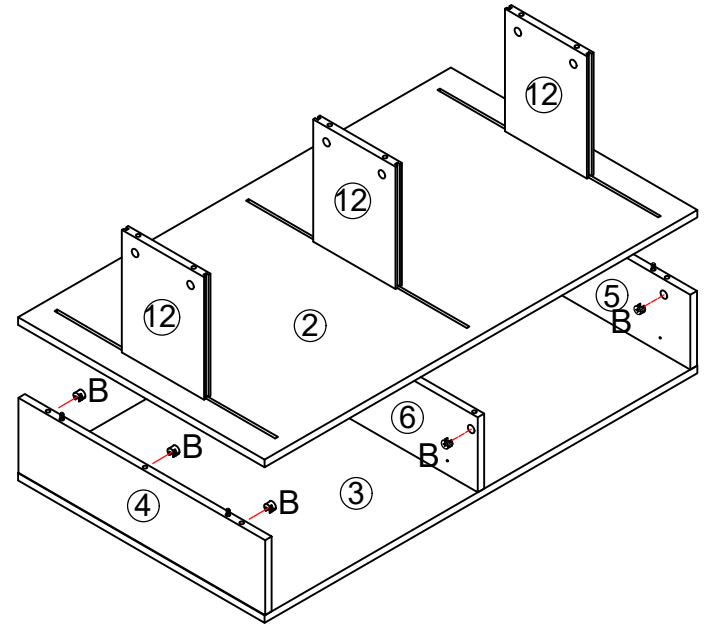
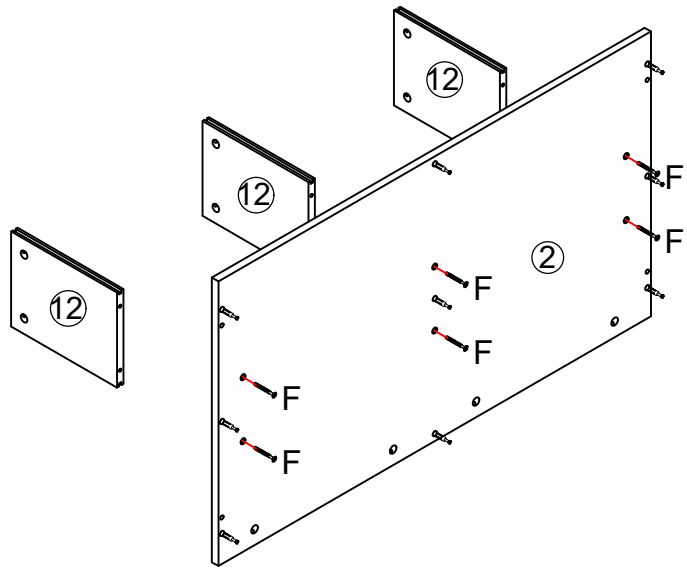
P.5




F	7*50
	
9PCS	

4

P.6




F 7*50



6PCS

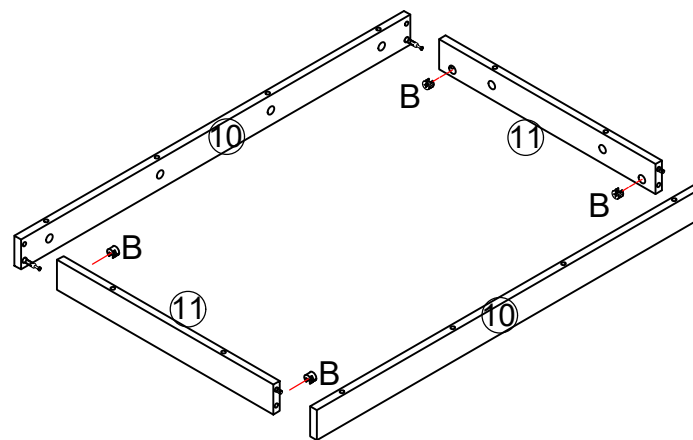
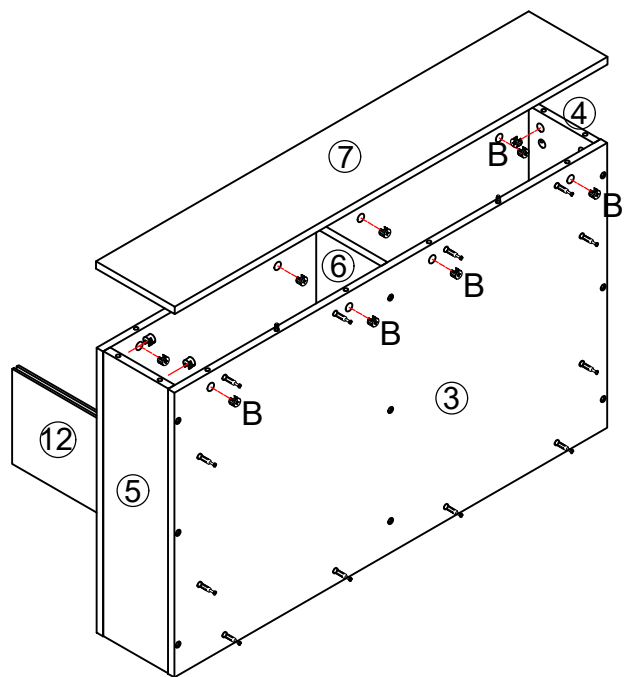
B




9PCS

5

P.7




B



12PCS

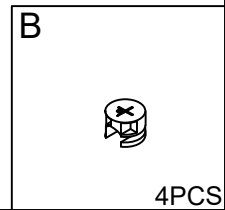
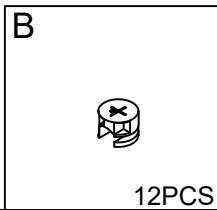
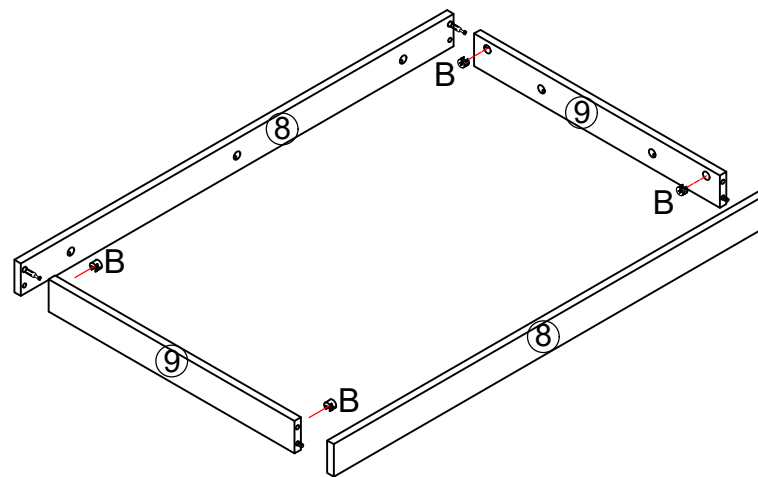
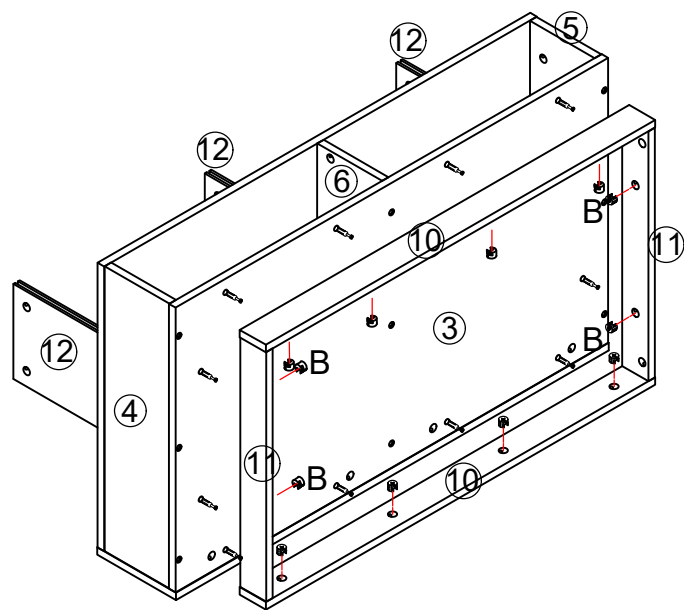
B



4PCS

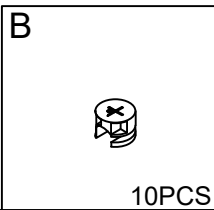
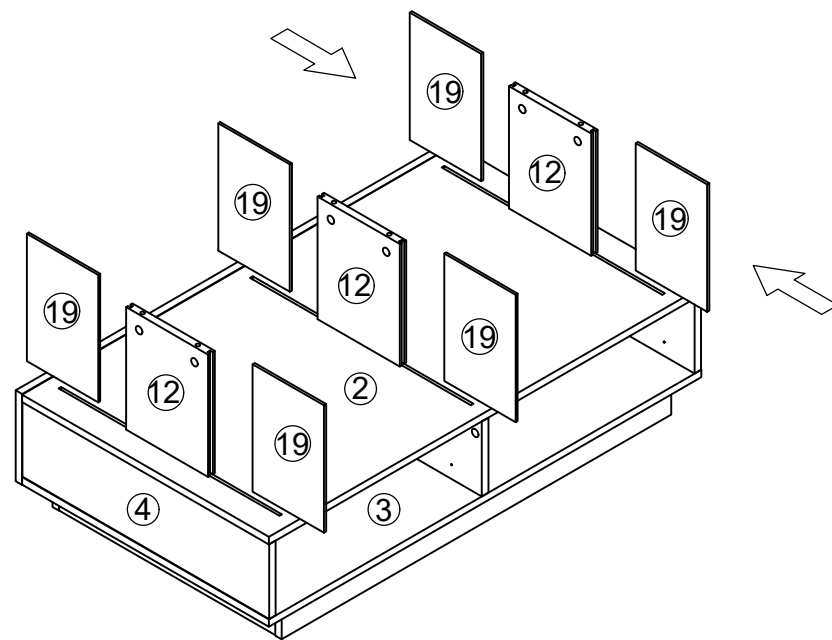
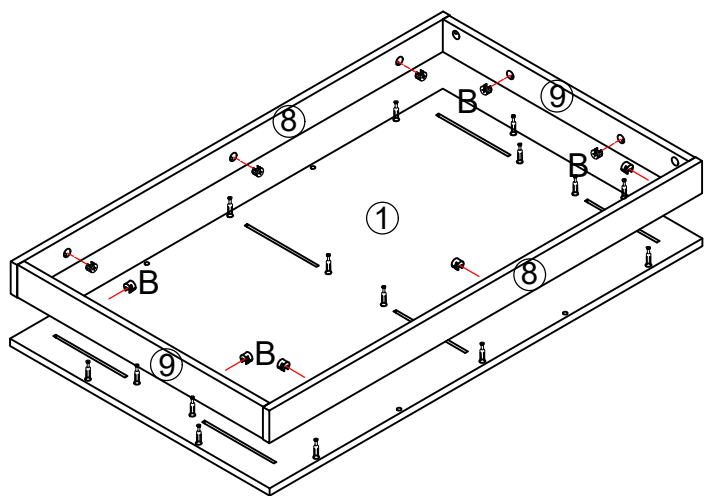
6

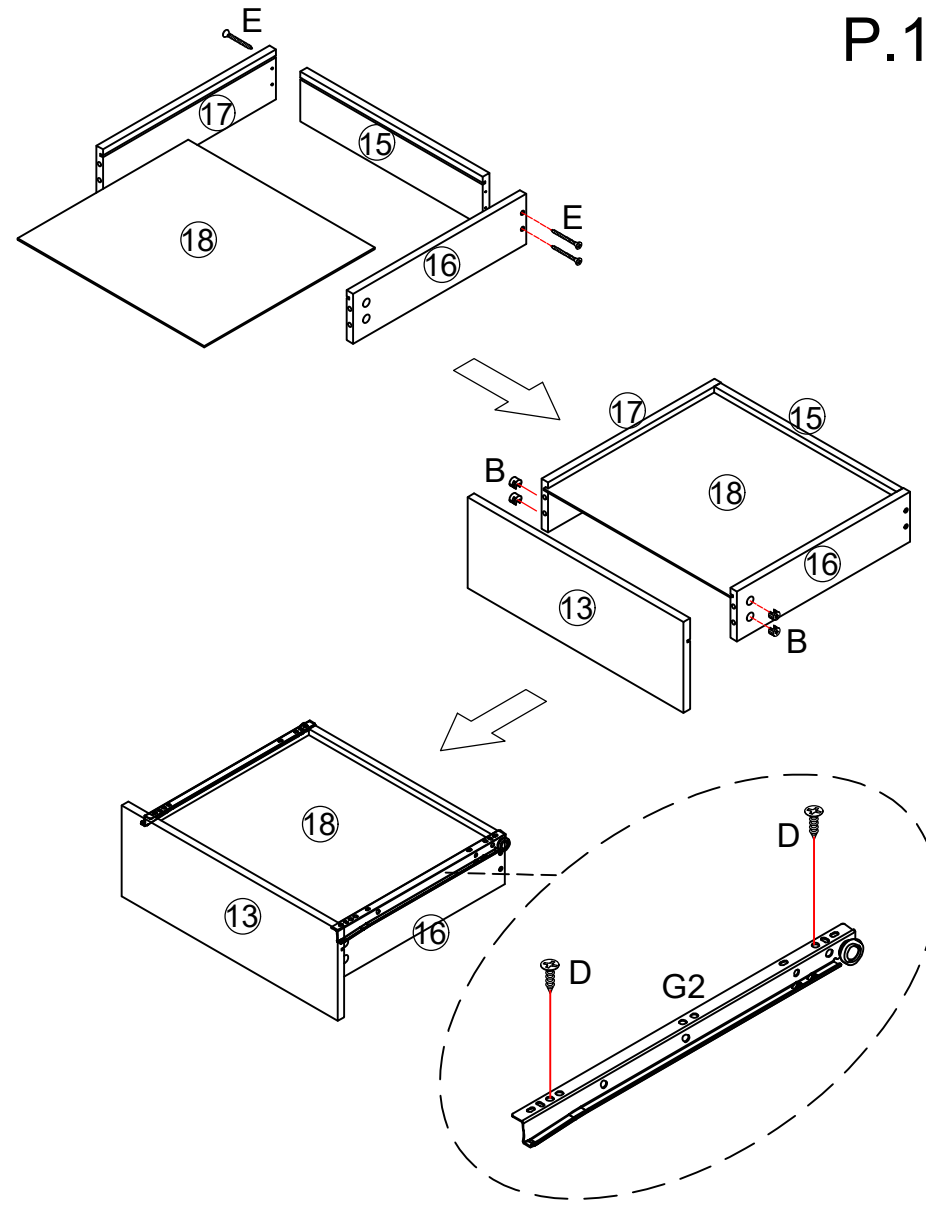
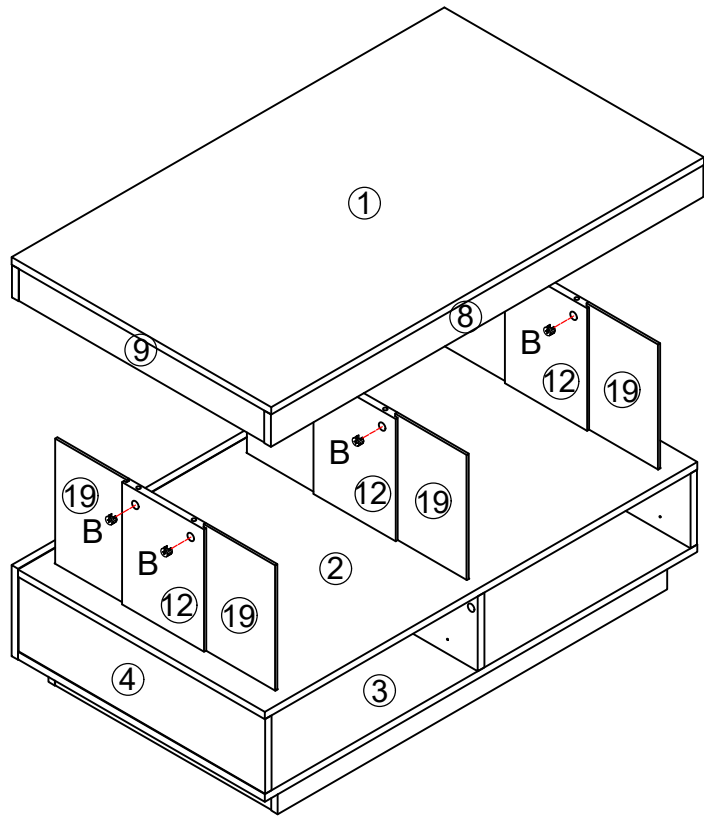
P.8





7

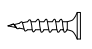
P.9

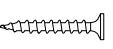


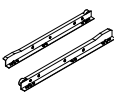


B		6PCS
---	--	------

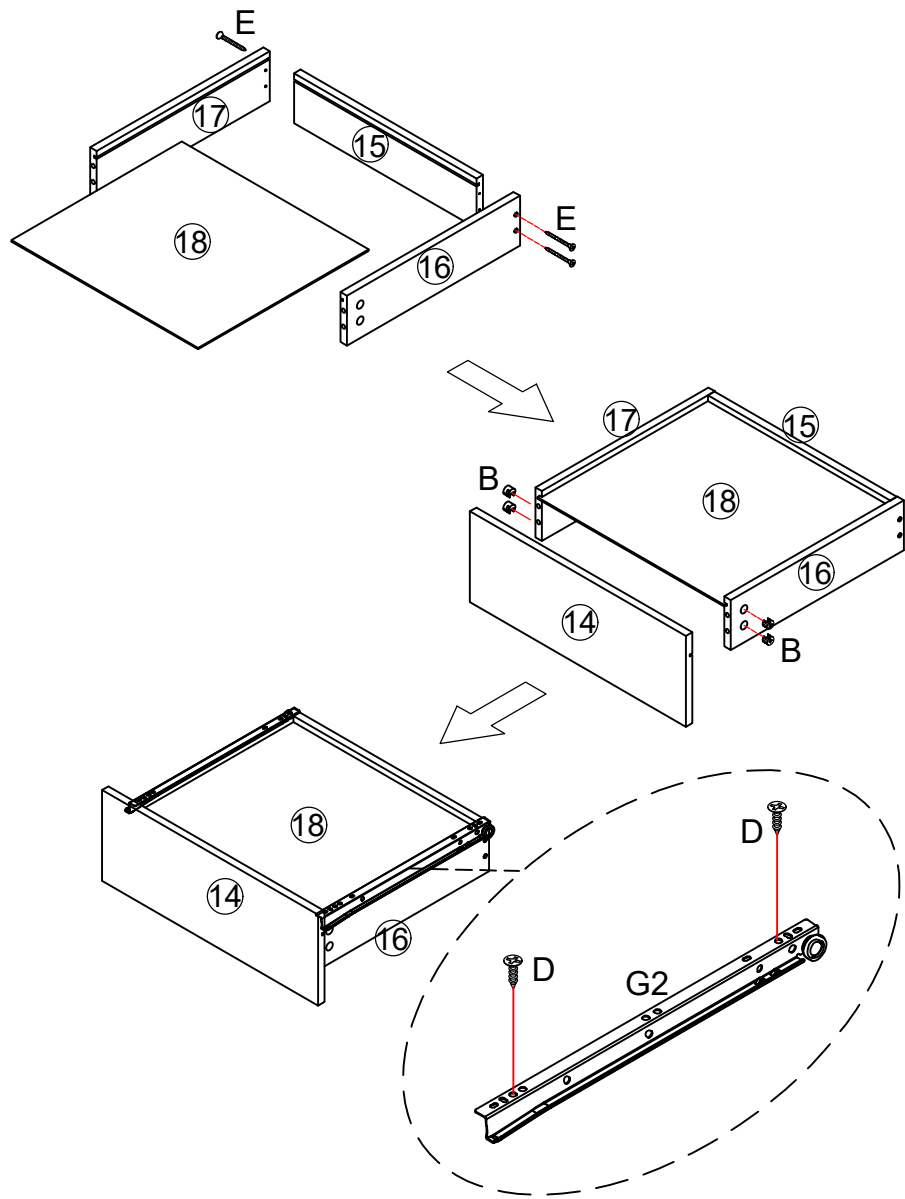
B		4PCS
---	---	------

D		3.5*14	4PCS
---	---	--------	------

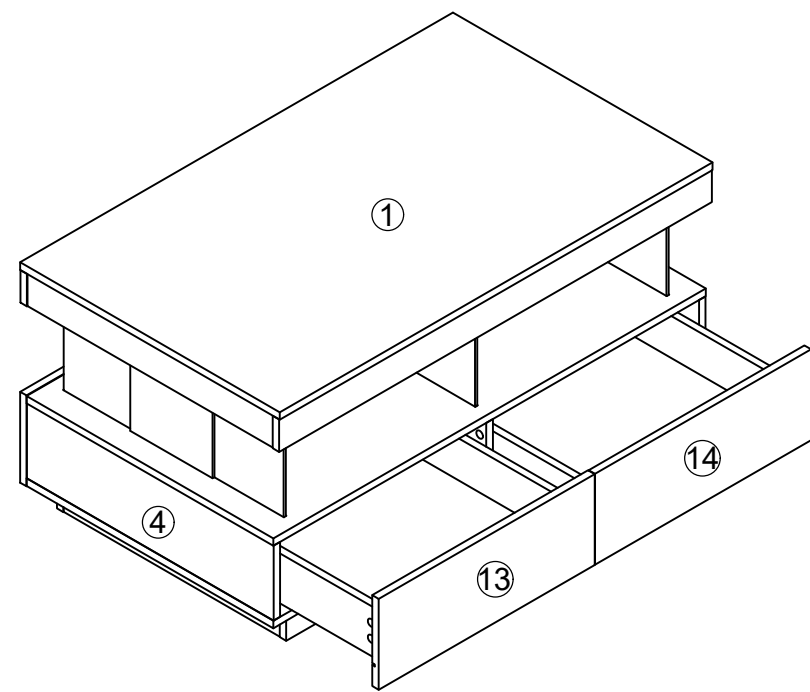
E		3.5*35	4PCS
---	---	--------	------


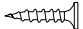
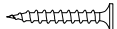
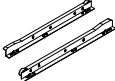
G2		400mm	1PCS
----	---	-------	------

9

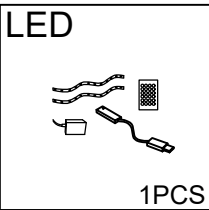
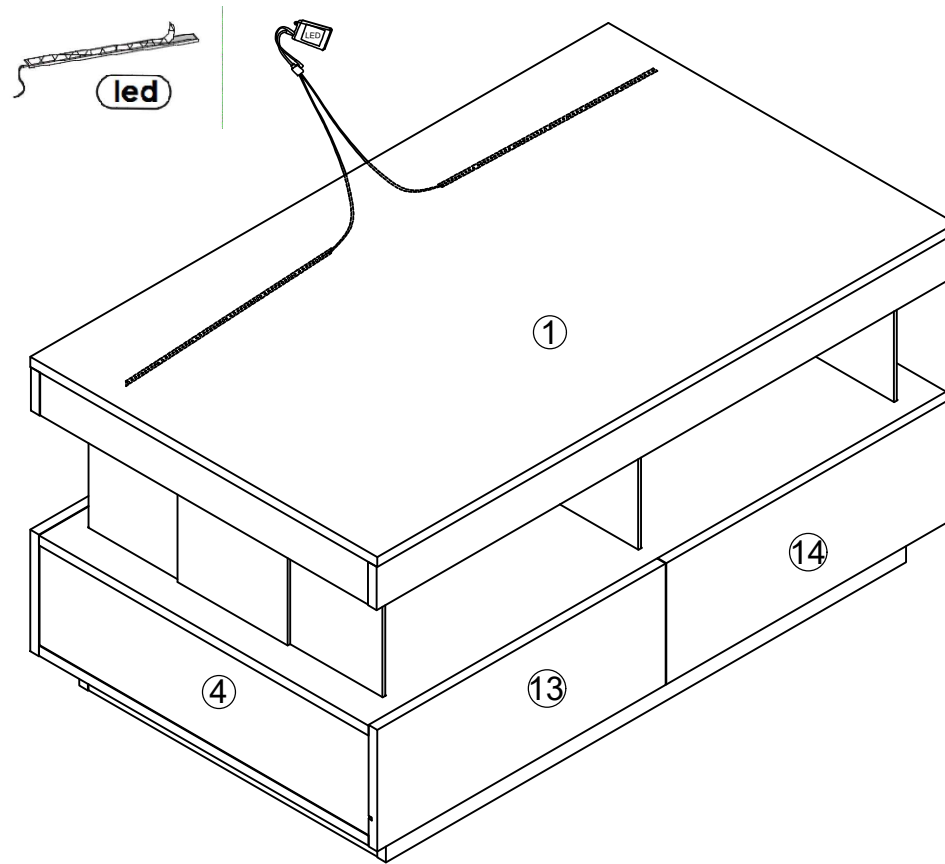


P.11



B	D 3.5*14	E 3.5*35	G2 400mm
			
4PCS	4PCS	4PCS	1PCS

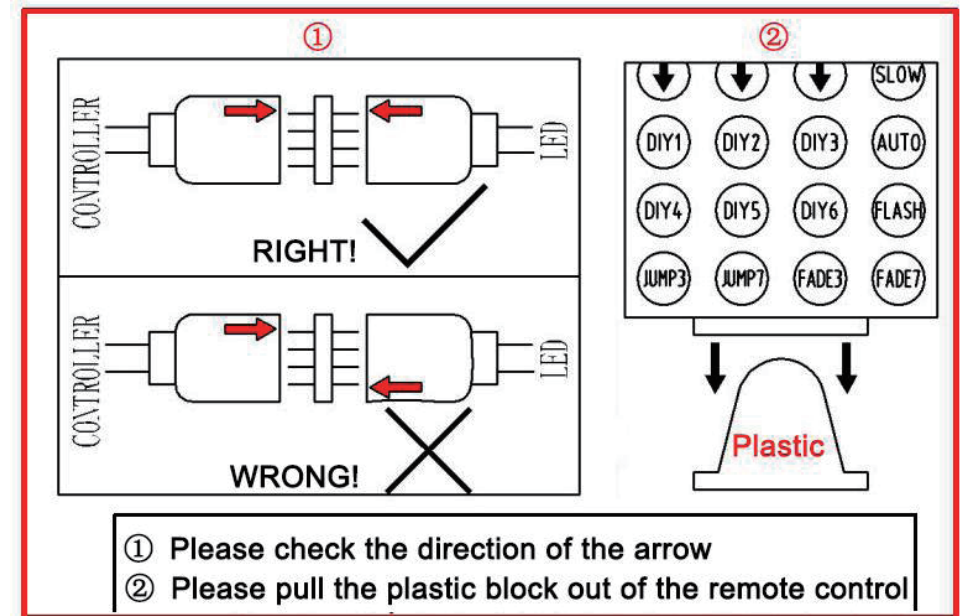
The LED light tape is glued to the bottom of the board



LED Light

If you can't let the lights work successfully, please check the following:

1. Please check the direction of the connect, try it in the opposite direction, according to the following picture.
2. Please check the remote control, it need you to tear down the plastic septum before use it.
3. Don't let the remote control too far from the receiver, make sure there is no obstruction between them.
4. Please note that for transportation safety, the remote control does not contain batteries; the battery model is: CR2025

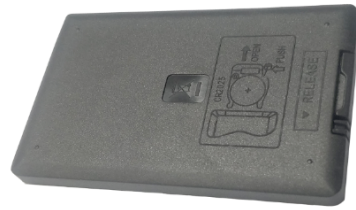


NOTE: The battery in the remote control requires you to purchase and install it yourself.
Model: CR2025 3. V

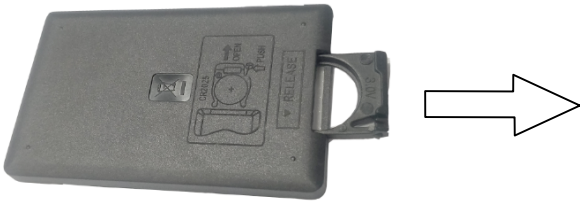
1



2



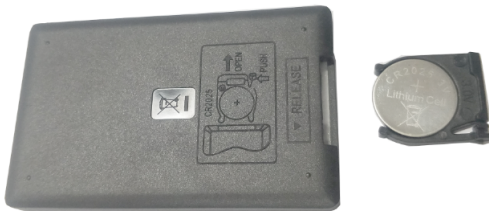
3



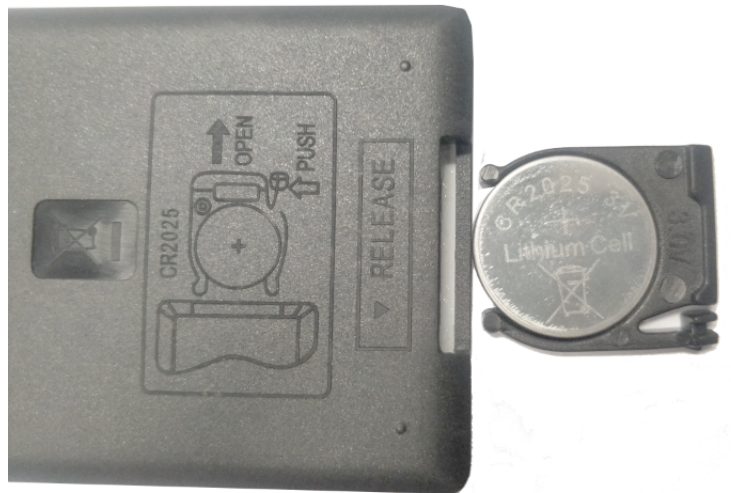
4



5



6



Modell : CR2025 3.V

7



8

