

# ANTI-TIP HARDWARE INSTALLATION

INSTALLER KIT ANTI-BASCULEMENT

INSTALAR EL HARDWARE ANTI VUELCO

## CABINET

### ANTI-TIP HARDWARE / KIT ANTI-BASCULEMENT / SISTEMA ANTI-VUELCO

**PLEASE NOTE:**

To help prevent the possibility of tip-over, install the ANTI - TIP OVER restraint provided

**NOTEZ S'ILVOUS PLAIT**

Pour aider a prevenir renversement, Installation de retenue de renversment tourni

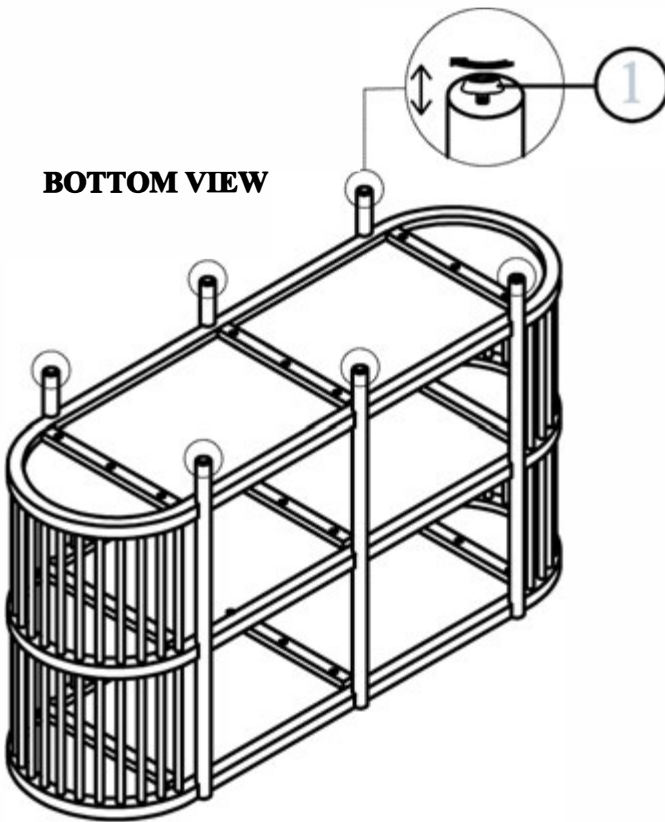
**TENGA EN CUENTA**

Para ayudar a prevenir un volcado Instale el hardware anti vuelcoproporcionado

#### Parts key

No	Code	Qty	Description
1	A	6 Pcs	Leveler / <i>Stabilisateur</i> / Nivelado de Piso
2	B	1 Set	Anti tip kit / Kit Anti - basculement, Sistema anti - vuelco

**BOTTOM VIEW**



**WALL  
MUR  
PARED**

