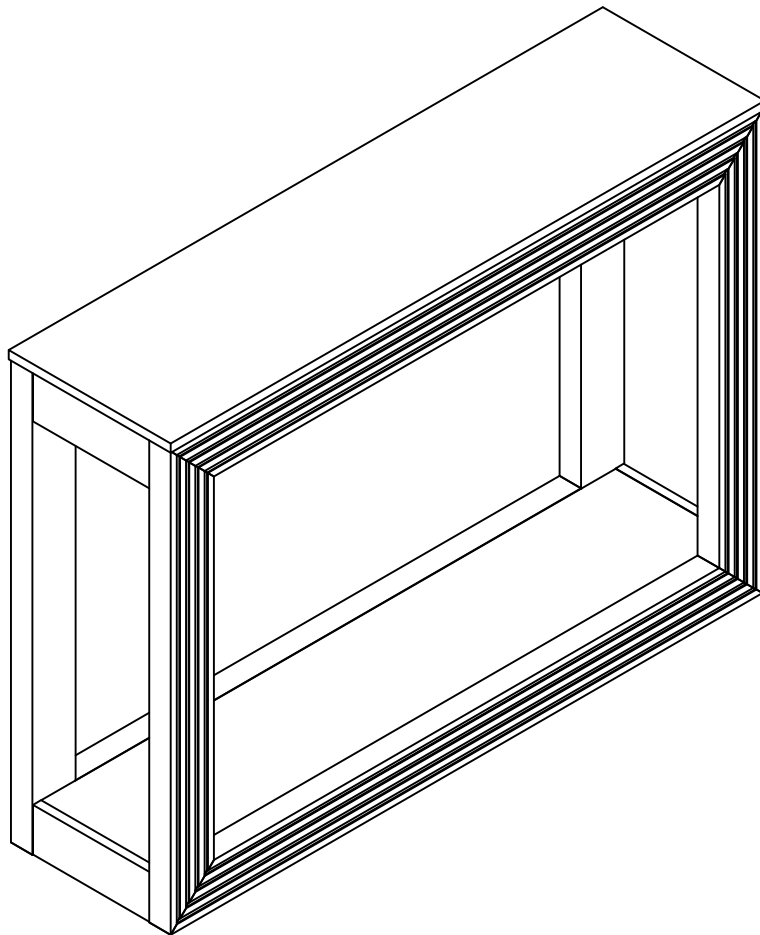


# Installation Instruction



# Assembling

---

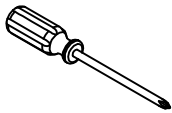
Estimated time for assembly



45 : 00

What you need

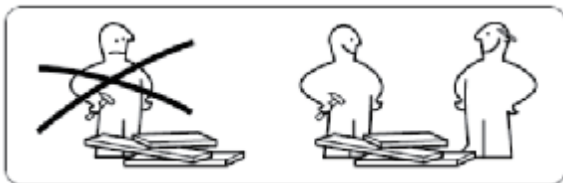
- Use the packaging carton as a working surface to prevent product damage during assembly
- Phillips head screwdriver



Weight Limitation



**100** | **35**  
lbs table top    lbs per



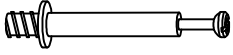
# What' included

---

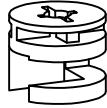
Code	Description	Qty
A	Cam Bolt M6X35MM	28
B	Cam Lock 15X10MM	28
C	Wooden Dowel M8X30MM	28
D	Screw M4X40MM	2
E	Screw M3.5X14MM	34
F	Connecting piece	8
G	Nylon Strap	2
H	Foot nail	6
I	Hole position sticker	28
J	Anchor	2

# The Hardwares

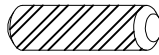
(A)



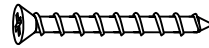
(B)



(C)



(D)



(E)



(F)



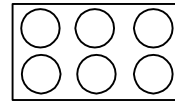
(G)



(H)



(I)



(J)



## IMPORTANT:

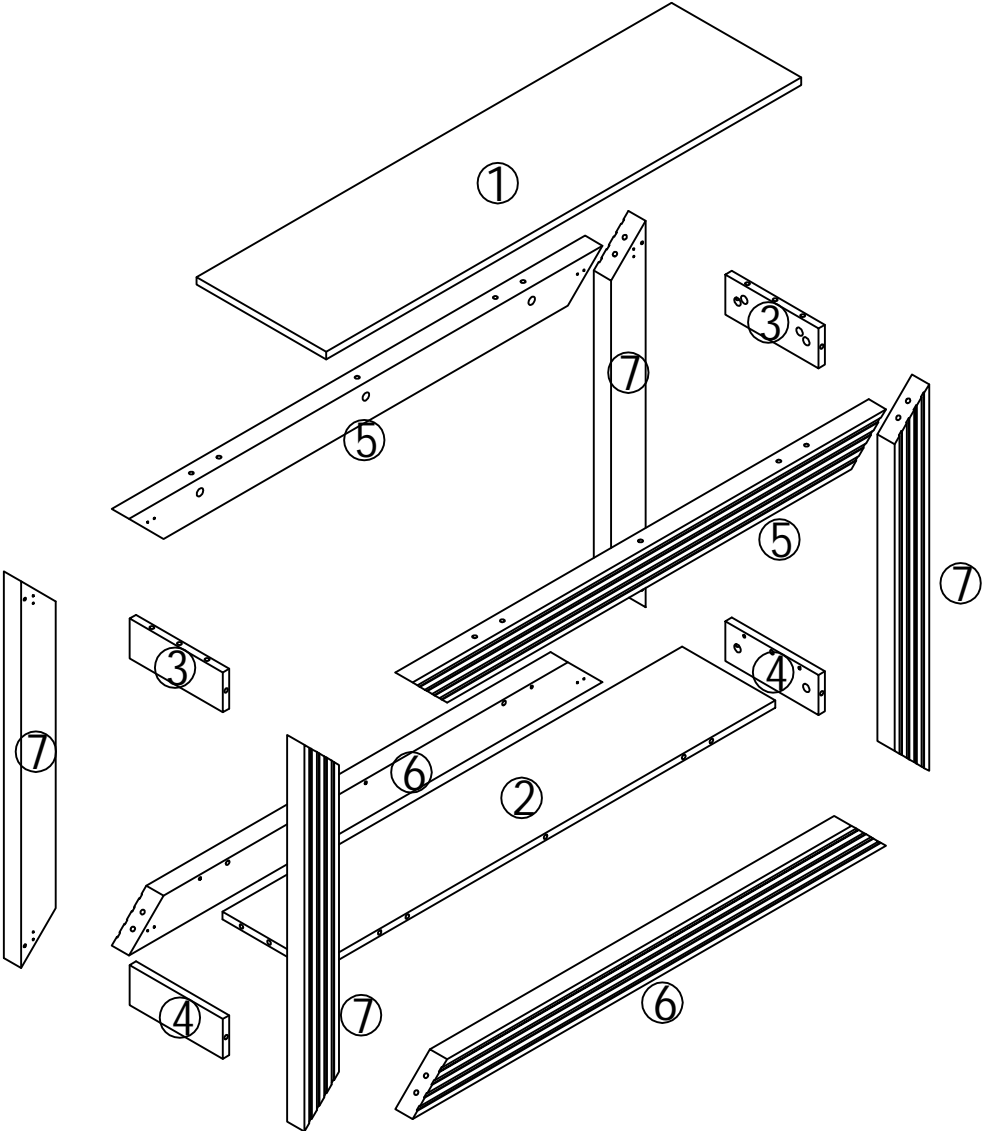
1. Do not tighten bolts / screws completely until all bolts / screws are lined up and inserted into holes.
2. Do not over tighten screws and bolts to avoid stripping
3. Please use hand tools to assemble this product. Do not use power tools.

# Included Accessories

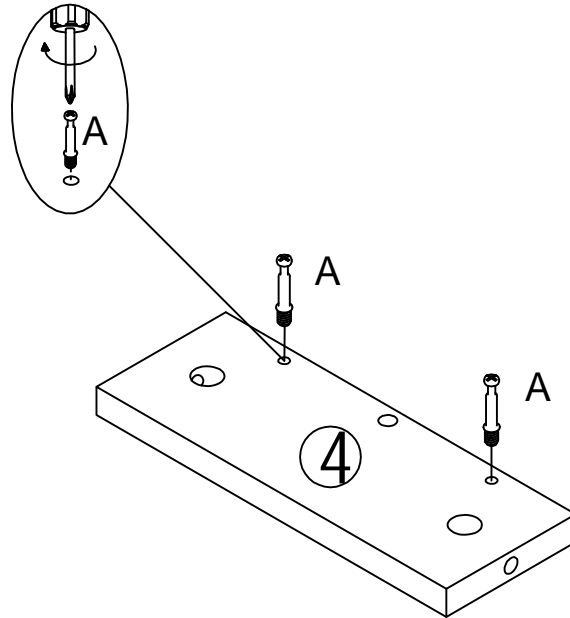
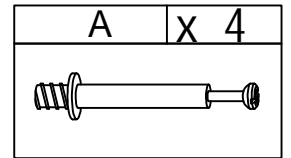
---

Code	Description	Qty
1	Cabinet Top	1
2	Bottom Panel	1
3	Upper side plate	2
4	Lower side plate	2
5	Upper transverse plate	2
6	Lower transverse plate	2
7	Left and right vertical plate	4

# The Accessoriess

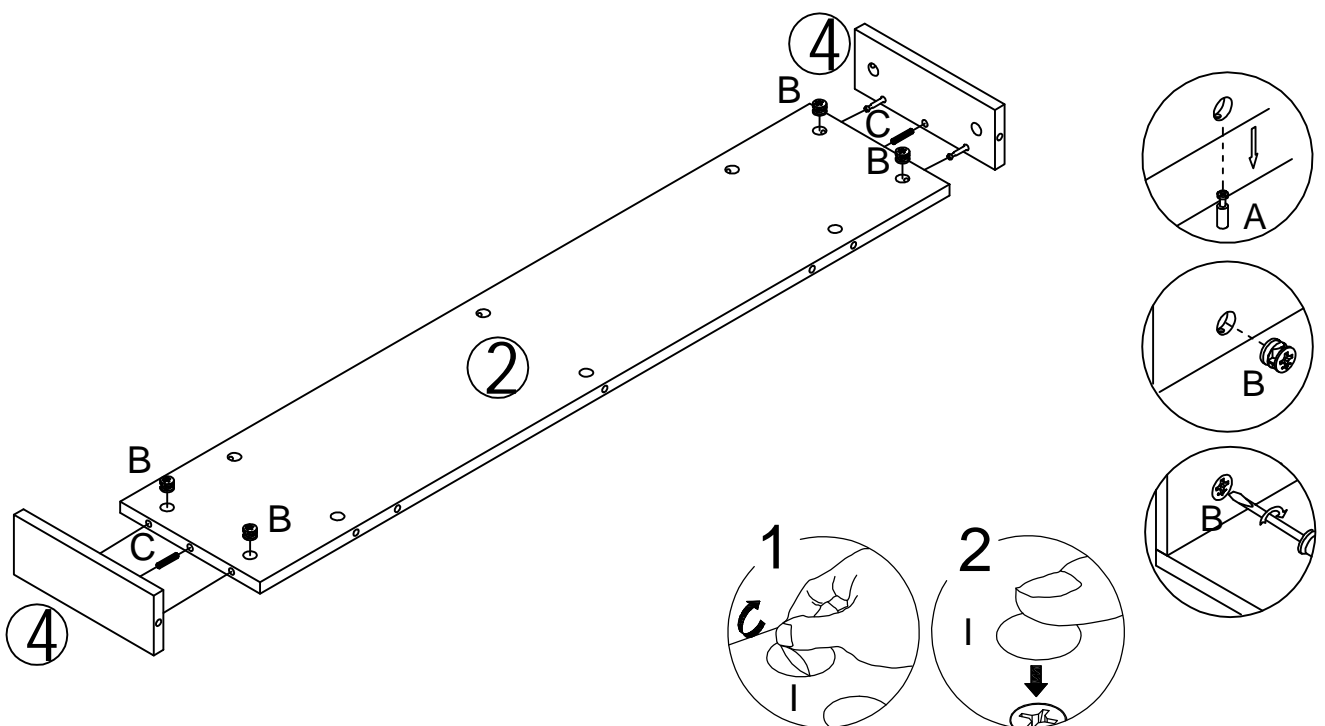
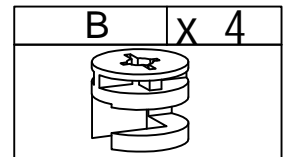
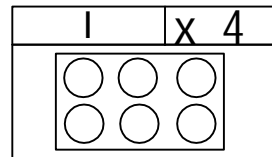
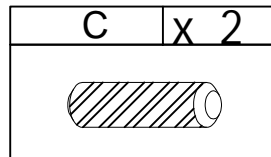


# Step 1

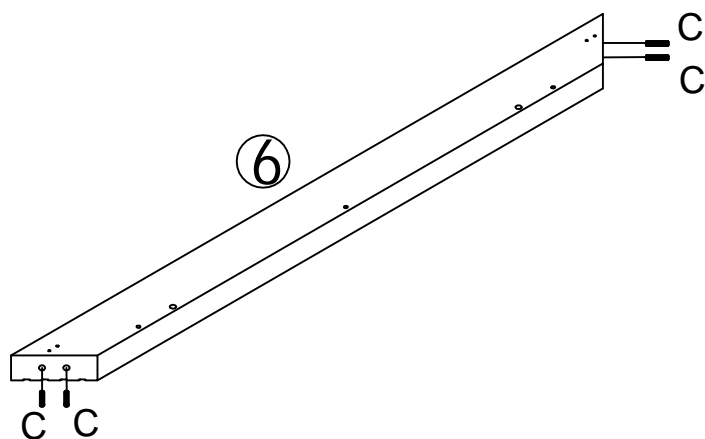
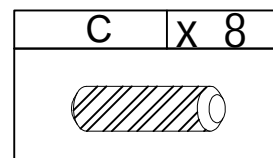


x 2

# Step 2

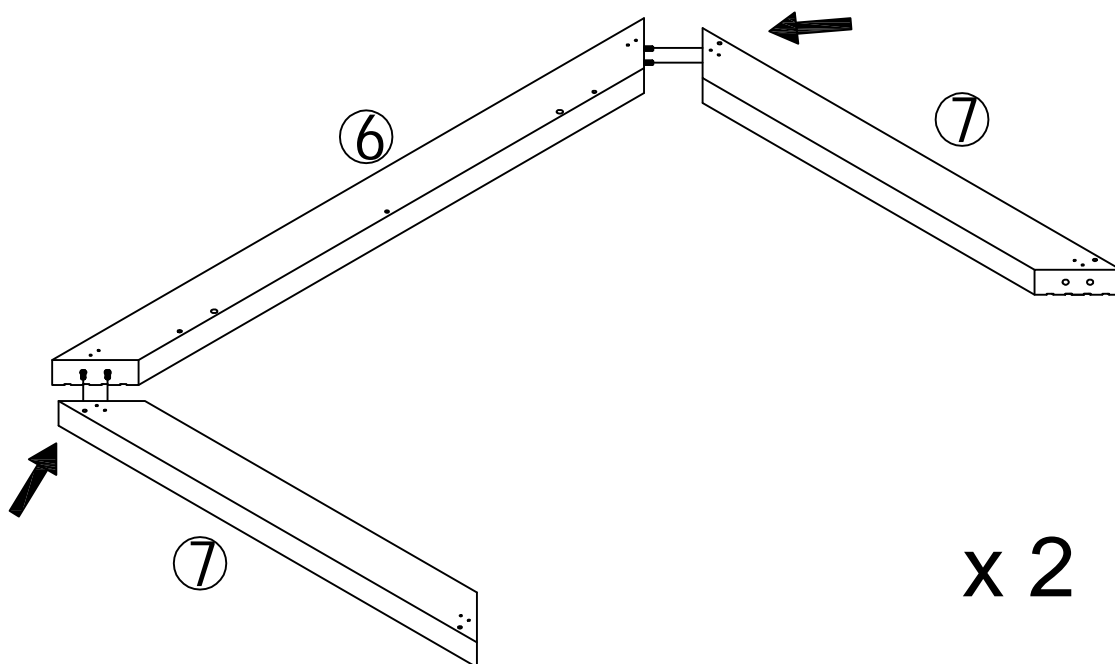


# Step 3



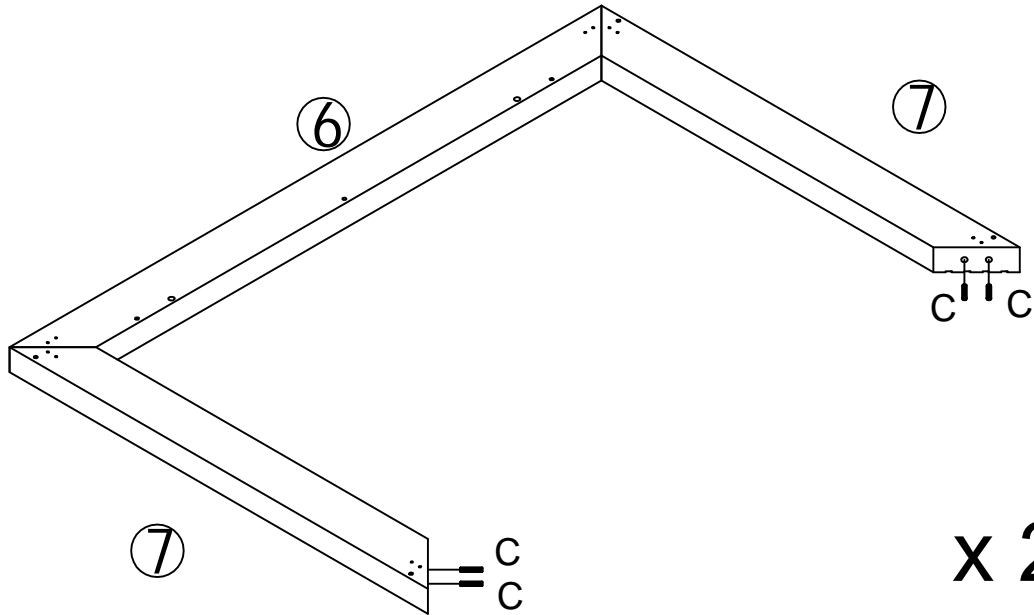
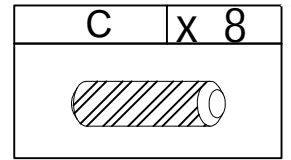
x 2

# Step 4

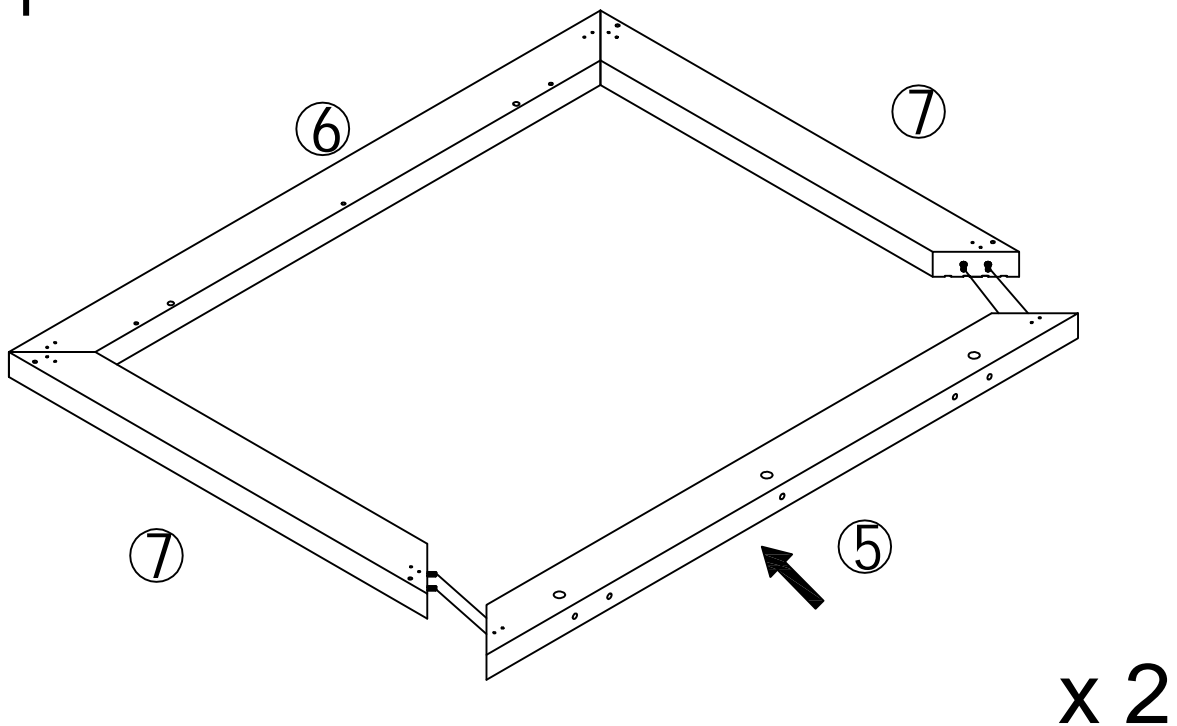


x 2


# Step 5




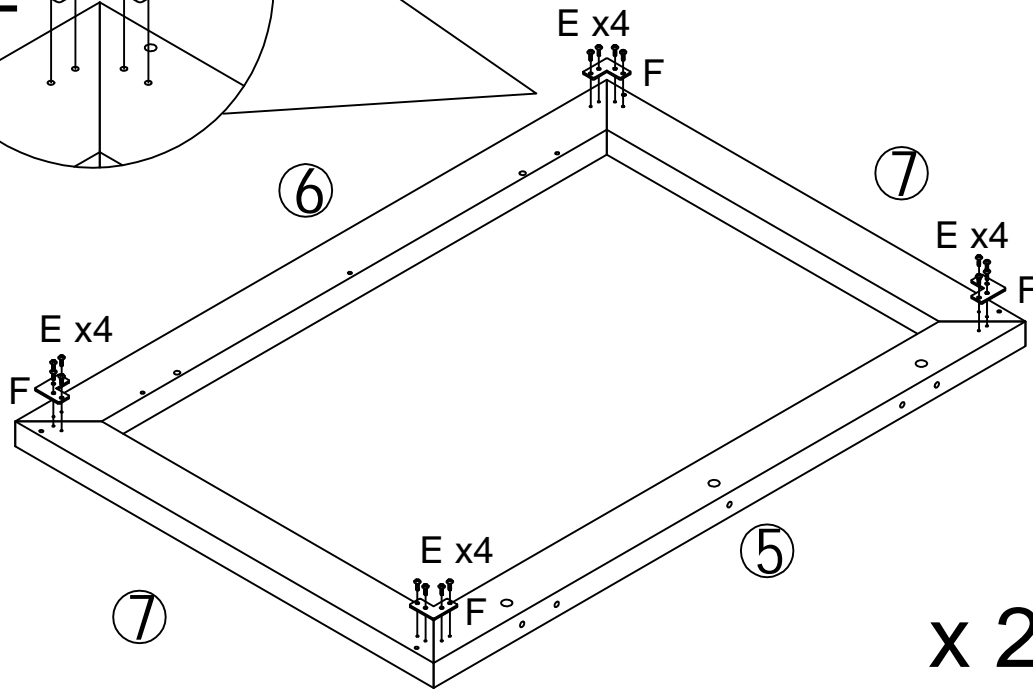
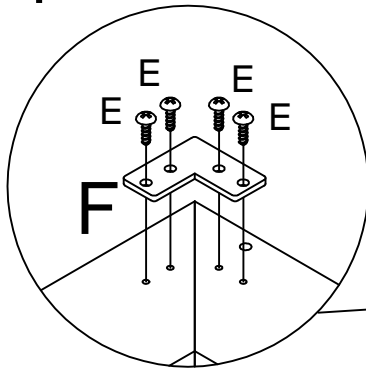
# Step 6



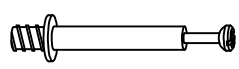
# Step 7

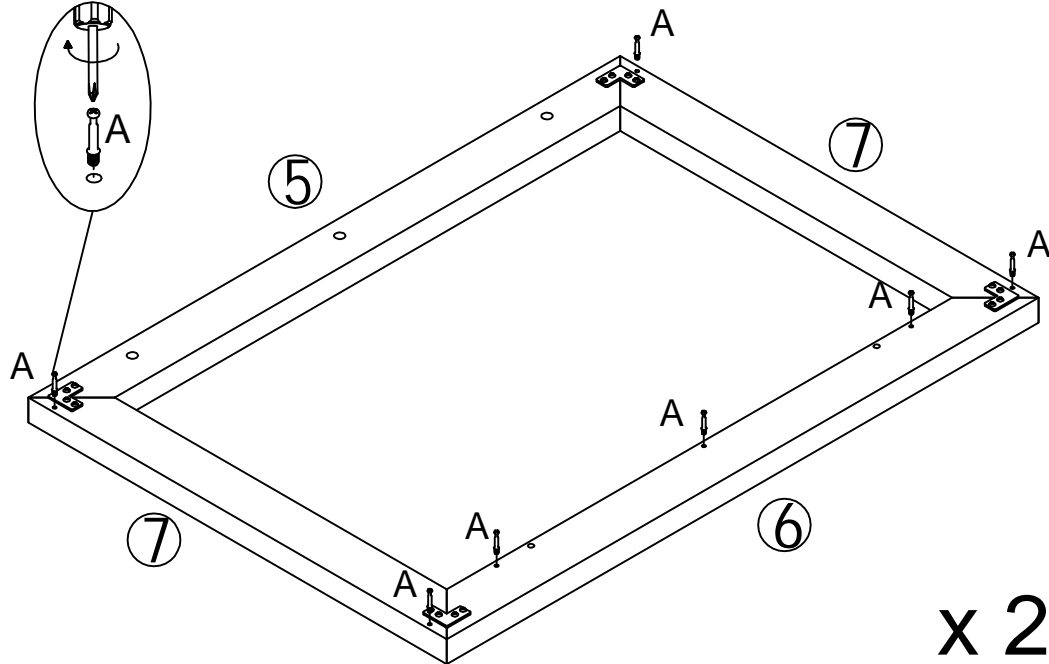
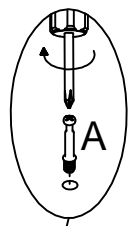
E	X 32
	

F	X 8
	

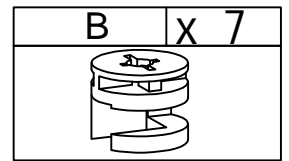
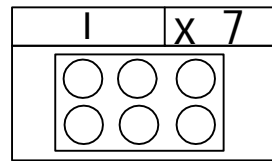
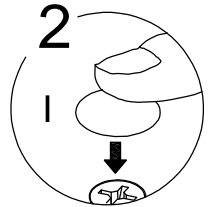
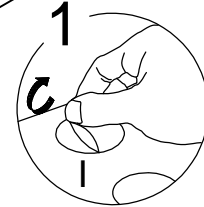
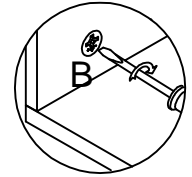
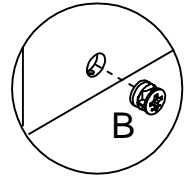
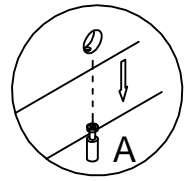
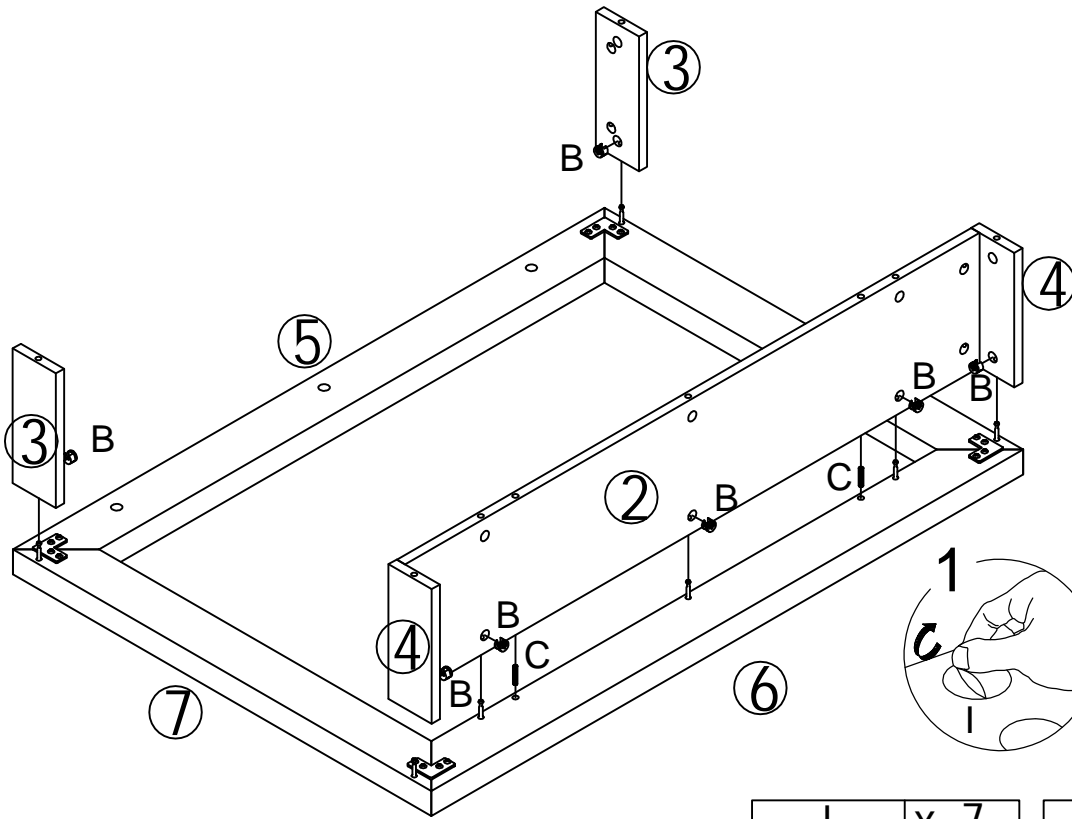
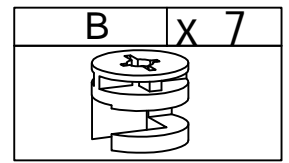
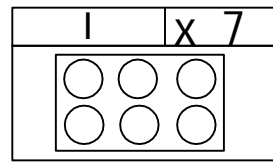
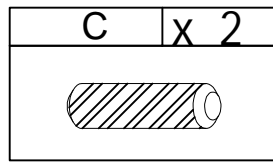


# Step 8

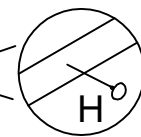
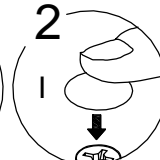
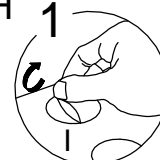
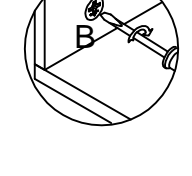
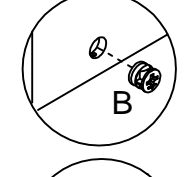
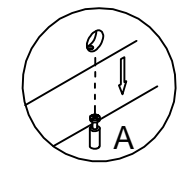
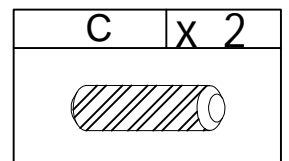
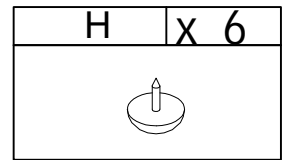
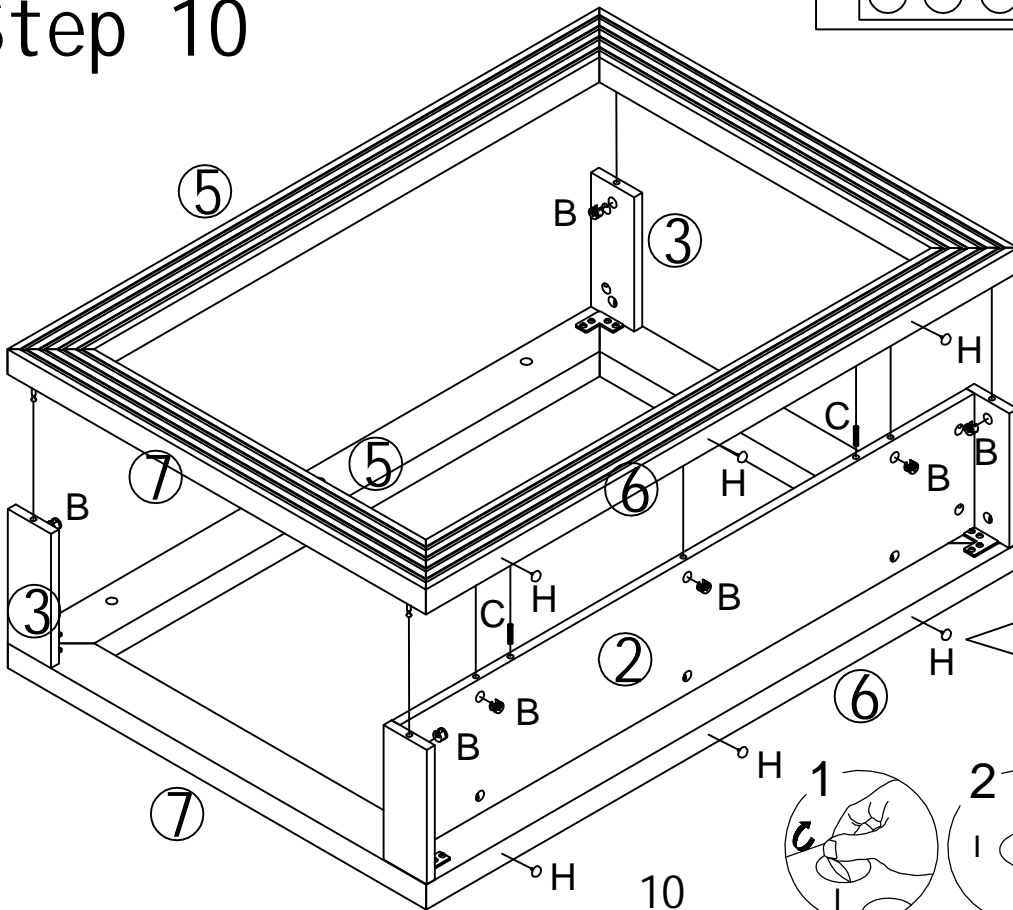
A	X 14
	



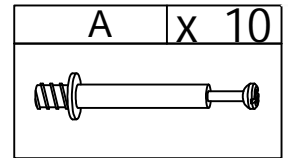
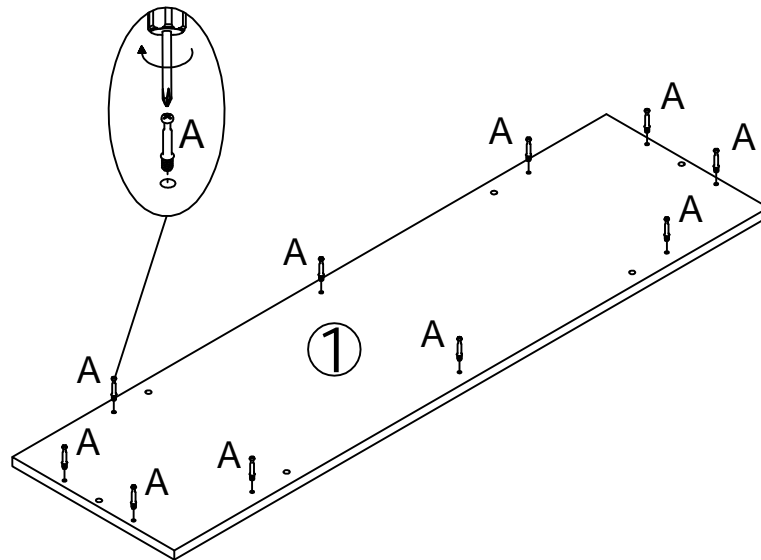
# Step 9



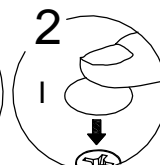
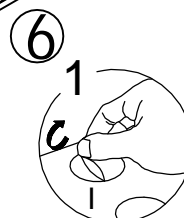
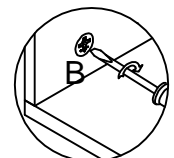
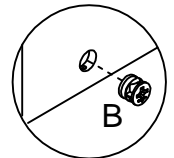
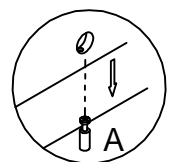
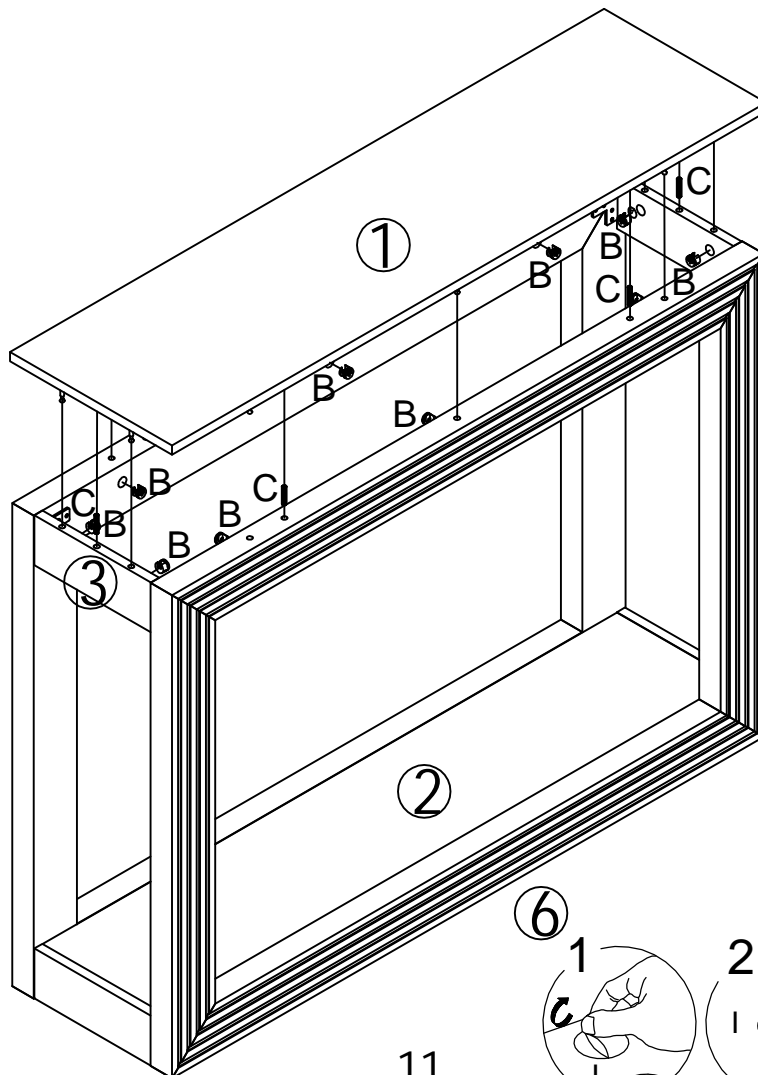
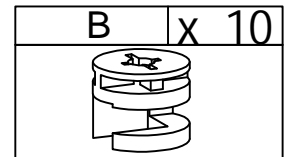
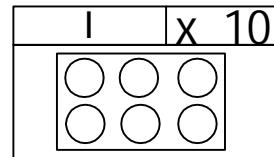
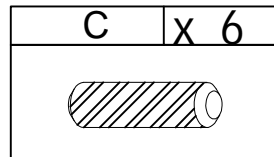
# Step 10



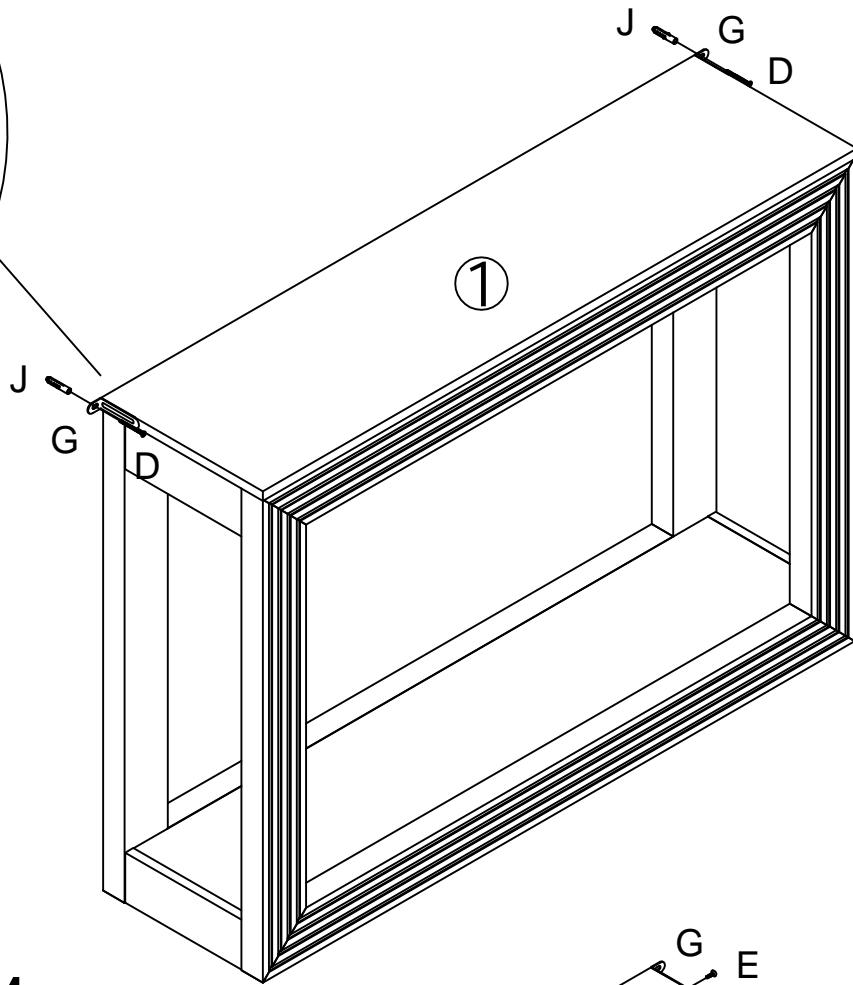
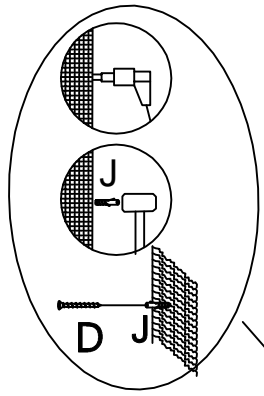
# Step 11



# Step 12



# Step 13

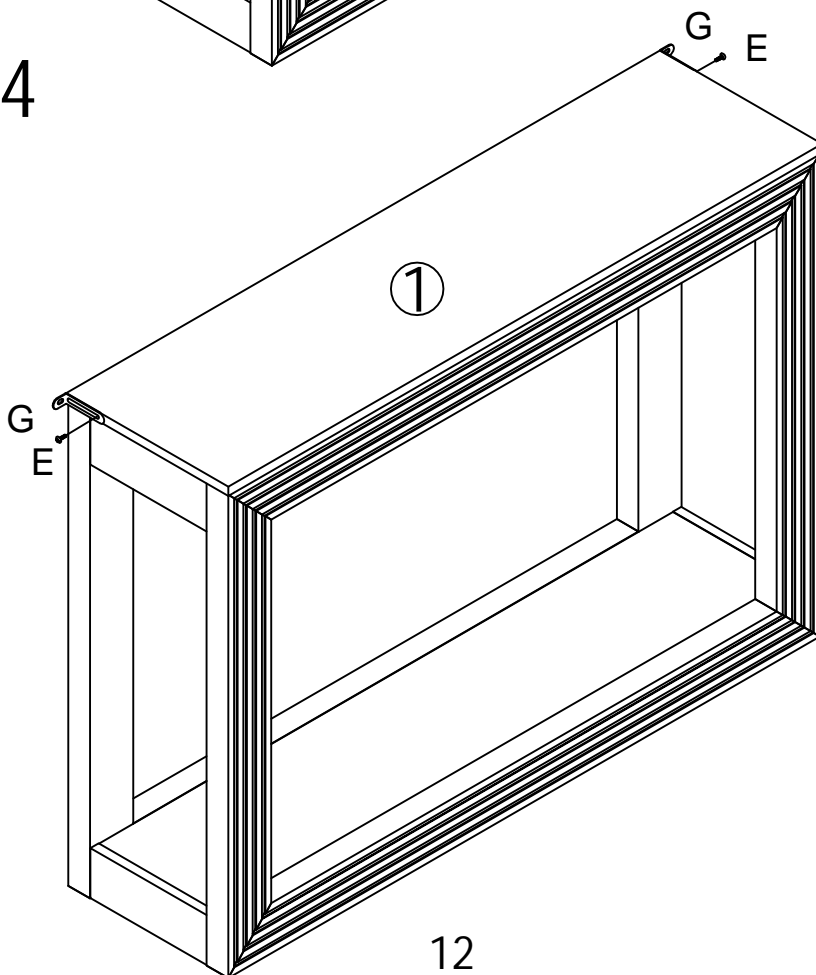


G	x 2

D	x 2

J	x 2

# Step 14



E	x 2