











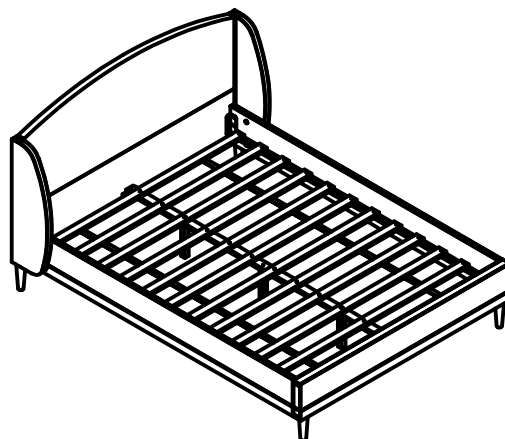
Assembly Instructions

Caution : You must read this before you proceed

Care & Maintenance

- ⊘  • Not for commercial use. For residential use only.
- ⊘  • Do not put hot items directly on furniture surface.
- ⊘  • Do not clean furniture with harsh cleansers or polish.
- ⊘  • Do not place furniture under direct sunlight.
- ⊘  • Do not place furniture near heating or cooling vents.
- ⊘  • Do not write on furniture without a padded barrier to protect the surface.
- ⊘  • Do not place furniture outside . For indoor use only.
- ⊘  • Stains may be removed with mild soap solution and damp cloth.
- ⊘  • Children should not climb or jump on the furniture.
- ✓  • Dust and pick-up spills using a clean, non-colored, lint-free cloth.

Queen Bed





WARNING

STRANGULATION HAZARD.

NEVER place bed near windows where cords from blinds or drapes may strangle a child.
 NEVER suspend strings over bed.
 NEVER place items with a string, cord, or ribbon, such as hood strings or pacifier cords, around a child's neck. These items may catch on bed parts.
 ALWAYS follow assembly instructions.



WARNING!

Not intended for children under the age of six. **INFANTS HAVE DIED FROM BECOMING ENTRAPPED IN BEDS.** Openings in and between bed parts can entrap the neck and head of a small child. NEVER use bed for child under the age of six.

The mattress must be appropriately sized for the bed. If the mattress is undersized, dangerous gaps can exist and a person can become entrapped or entangled in the frame and suffocate.

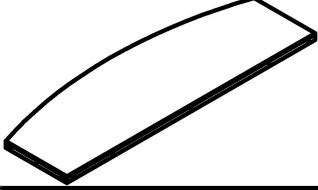
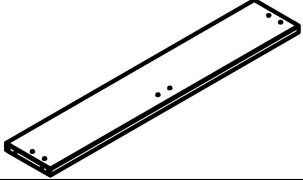


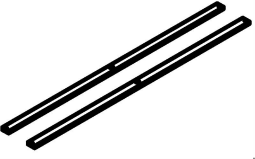
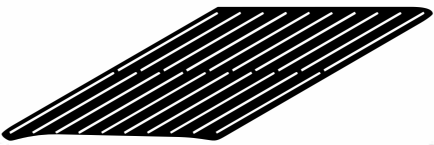
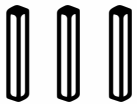
NOTE: This Bed is NOT a TOY.

Keep your child/children at bay during the assembly process.

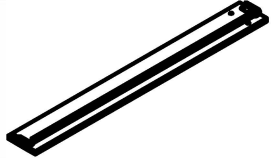
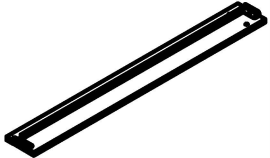

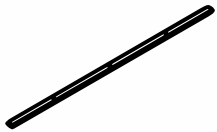
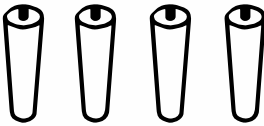

The BED is HEAVY.

To prevent injury to yourself or damage to the product a minimum of two adults are required whenever moving or lifting it.








Parts List



Label	Picture	Description	QTY
1		Headboard	1
2		Headboard	1
3A		Left Headboard Side	1
3B		Right Headboard Side	1
7		Slats	2
8		Slats	10
9		Legs Support	3

Parts List

4A		Left Side Rails	1
4B		Right Side Rails	1
5		Footboard	1
6		Slat Support Bar	1
10		Bed Legs	4
11		Wooden Bar	2

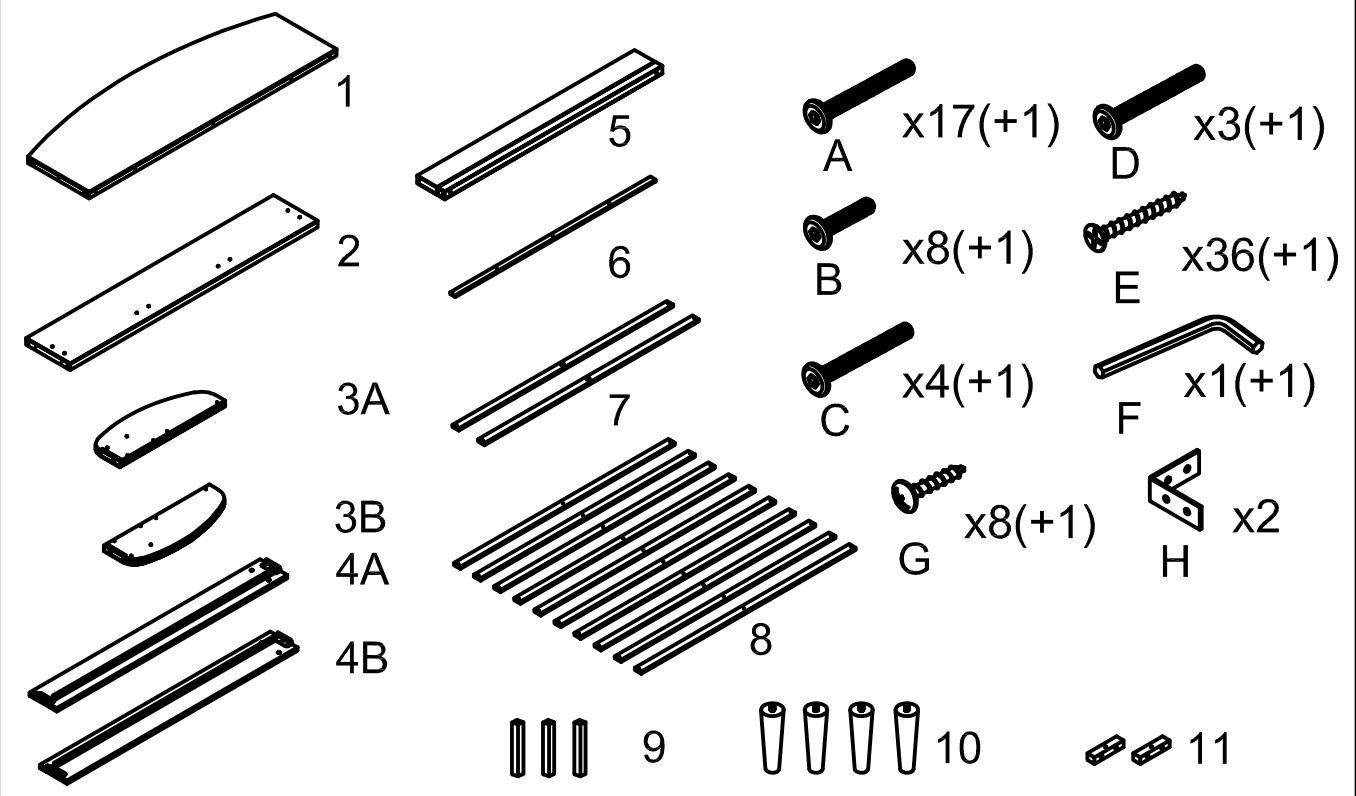
Hardware

Label	Picture	Description	QTY
A		Bolt (Ø1/4"x40mm)	17(+1)
B		Bolt (Ø1/4"x20mm)	8(+1)
C		Bolt (Ø1/4"x60mm)	4(+1)
D		Bolt (Ø1/4"x50 mm)	3(+1)
E		Screws (M4 x 30 mm)	36(+1)
F		Allen Wrench	1(+1)
G		Screws (M4 x 15 mm)	8(+1)

H		Steel Bracket	2
I		Screwdriver (Not provided)	1

Assembly Preparation

Before Beginning Assembly:



- Read instruction, cover to cover.



- Have 2 adults on hand for assembly.



- Do not assemble on flooring or carpet.



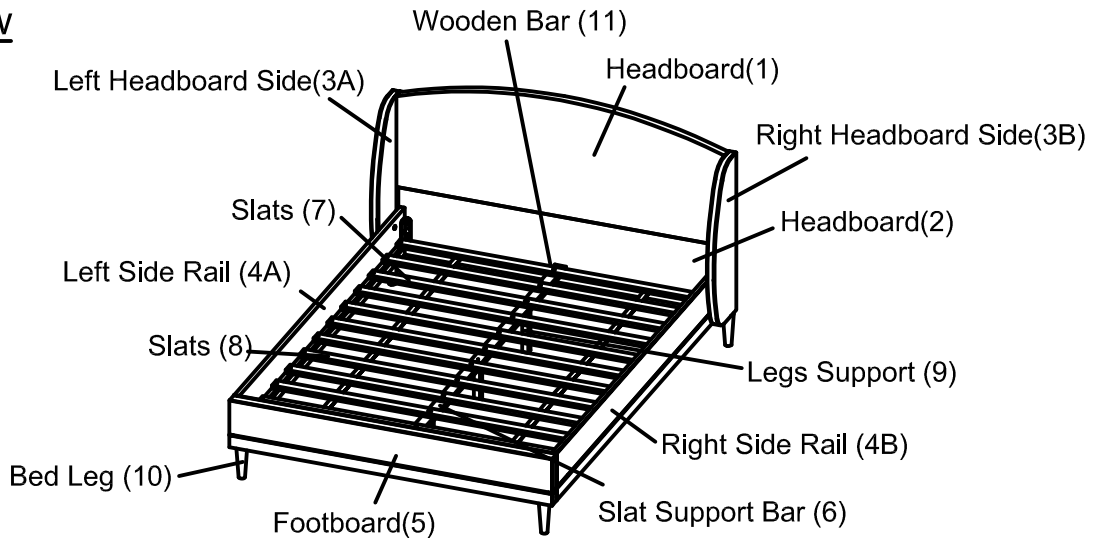
- Assemble on a clean non-marring surface (packing foam).



- Save all packaging until finished.

Assembly Steps

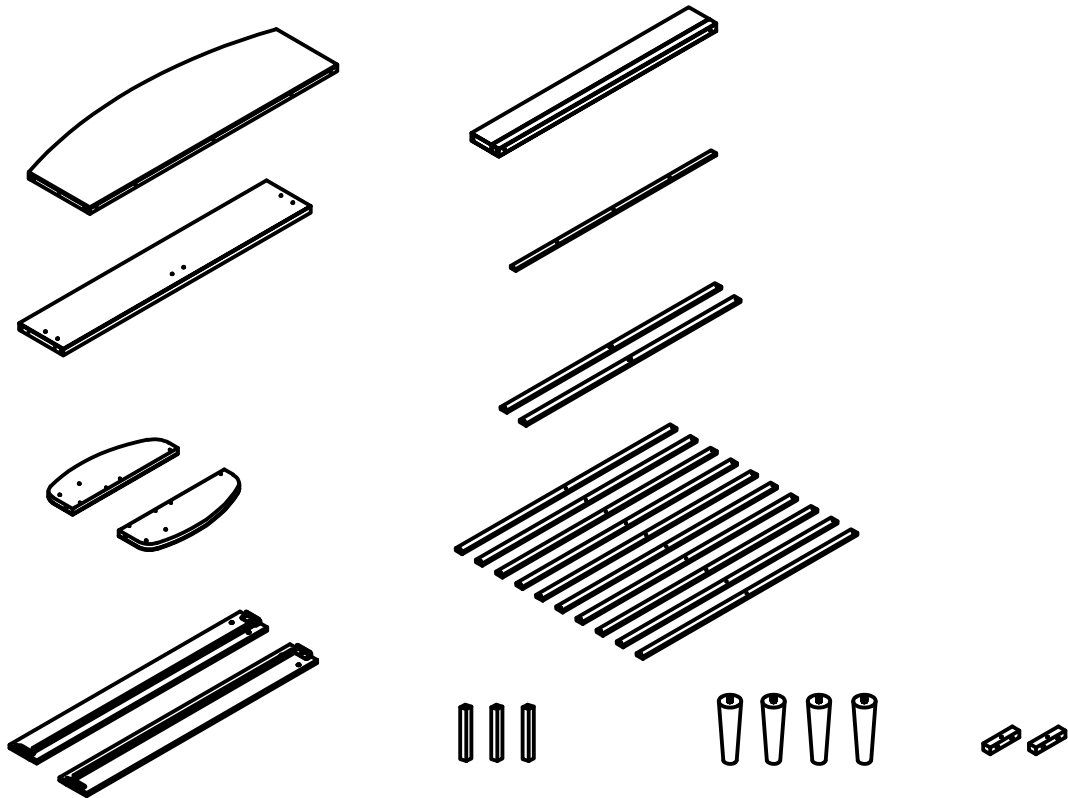
Overview



FRONT FACING

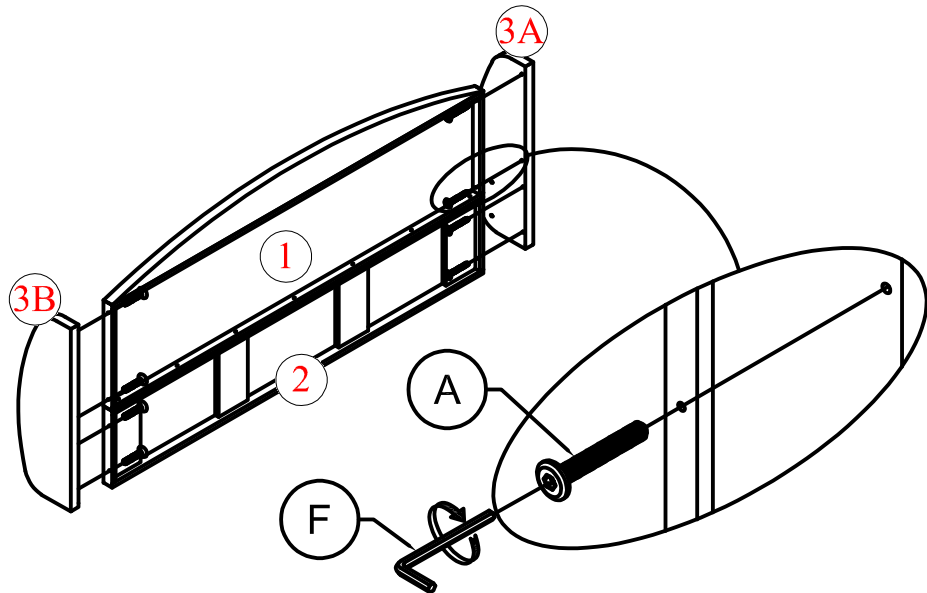
This Bed has multiple parts and may require up to 30 minutes to assemble. To give you an overview of the Bed parts, the above picture is provided to help you put the various parts into perspective. Please read through the instructions below to familiarise yourself with the parts and steps before assembly.

Step 1



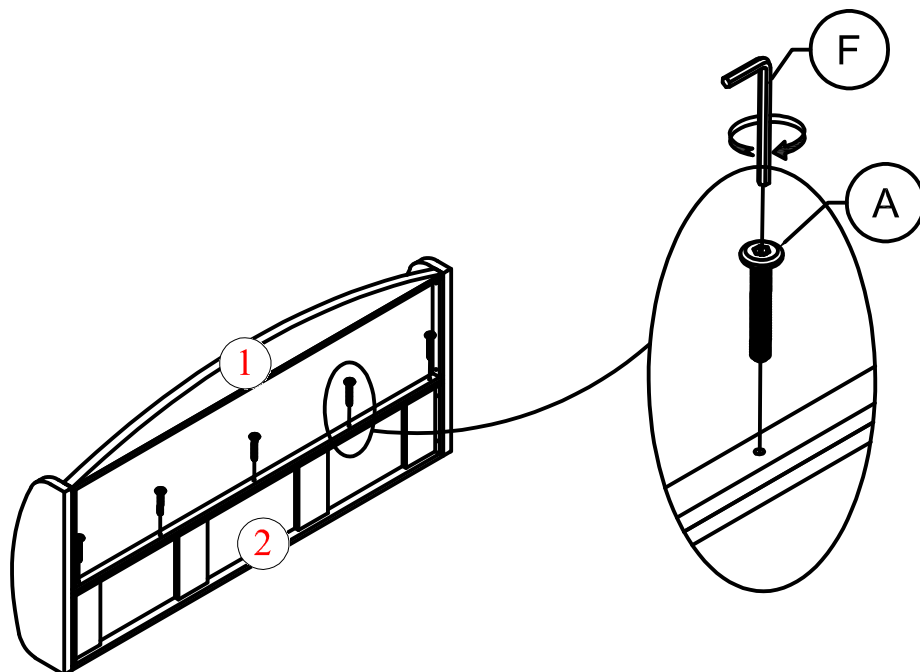
Unpack and place all parts on a clean, non-marring surface.

Step 2



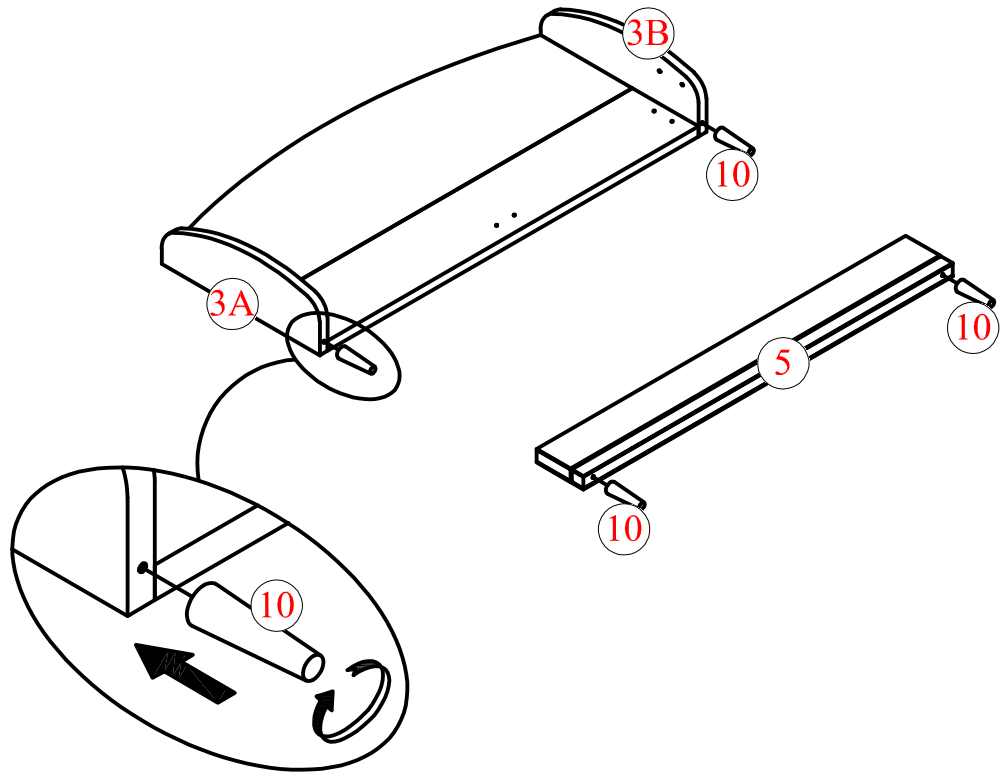
Align the Mounting Position of Headboard (1) and Headboard (2) into the Left/ Right Headboard Side (3A) / (3B) as shown above. Affix by using 8 Bolts (A) with Allen Wrench (F).

Step 3



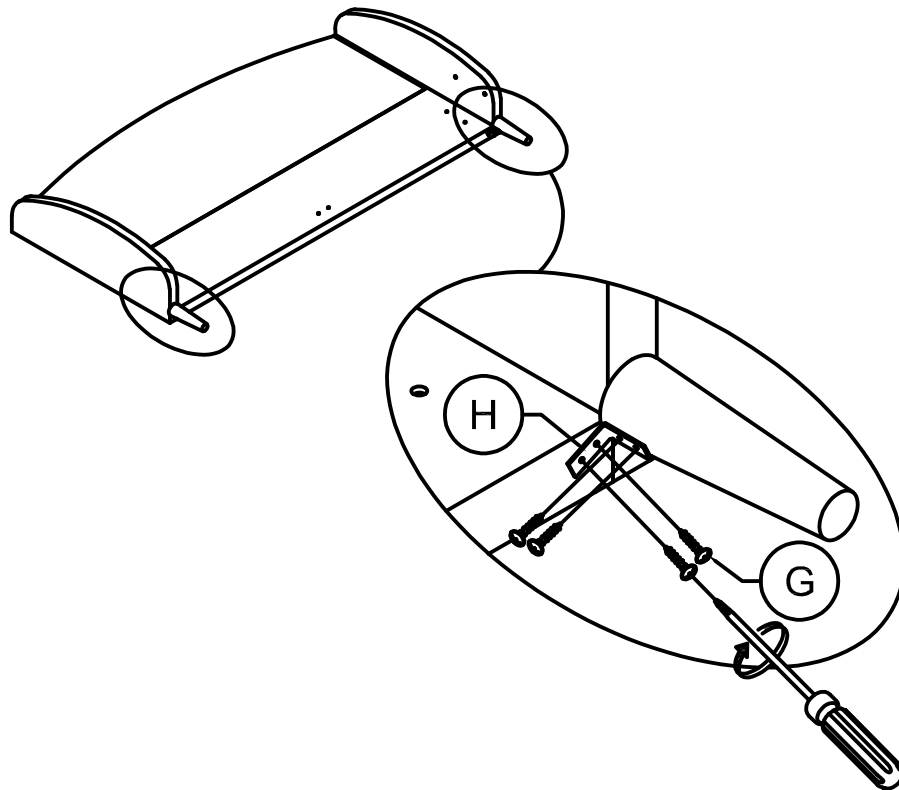
Connect the Headboard (1) to the Headboard (2) by using 5 Bolts (A) with Allen Wrench (F).

Step 4



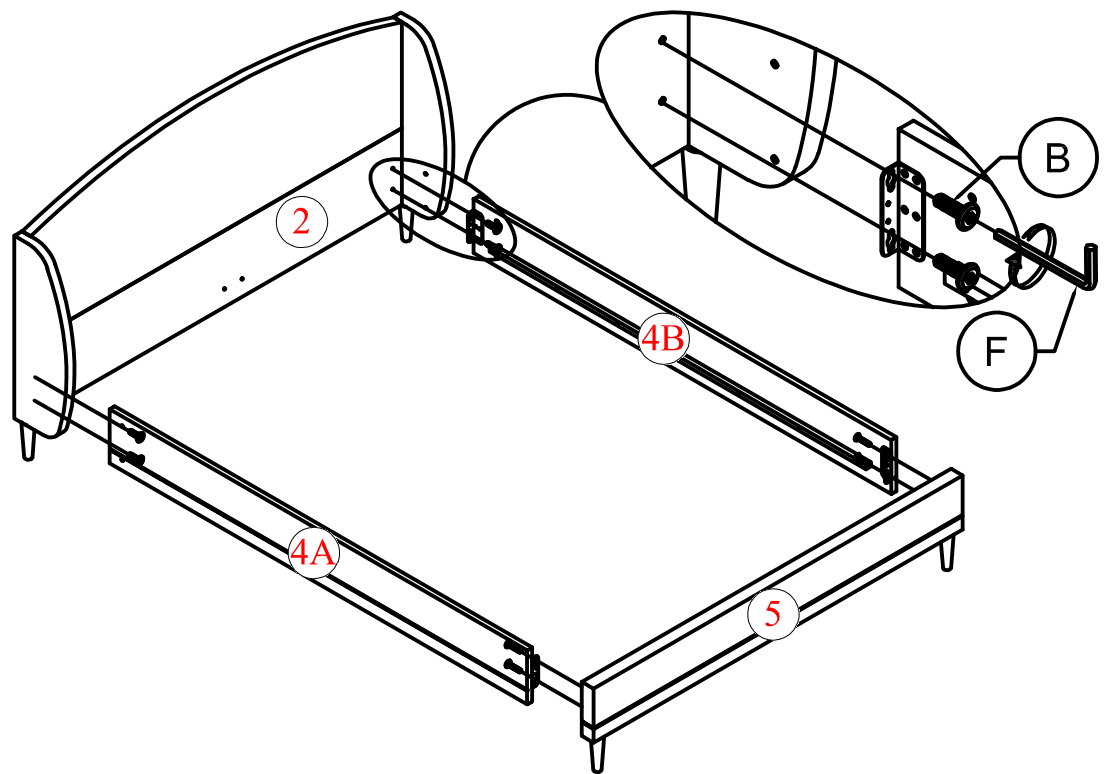
Use your hands to screw the Bed Legs (10) into the Left Headboard Side (3A), the Right Headboard Side (3B) and the Footboard (5). Be sure to turn clockwise.

Step 5



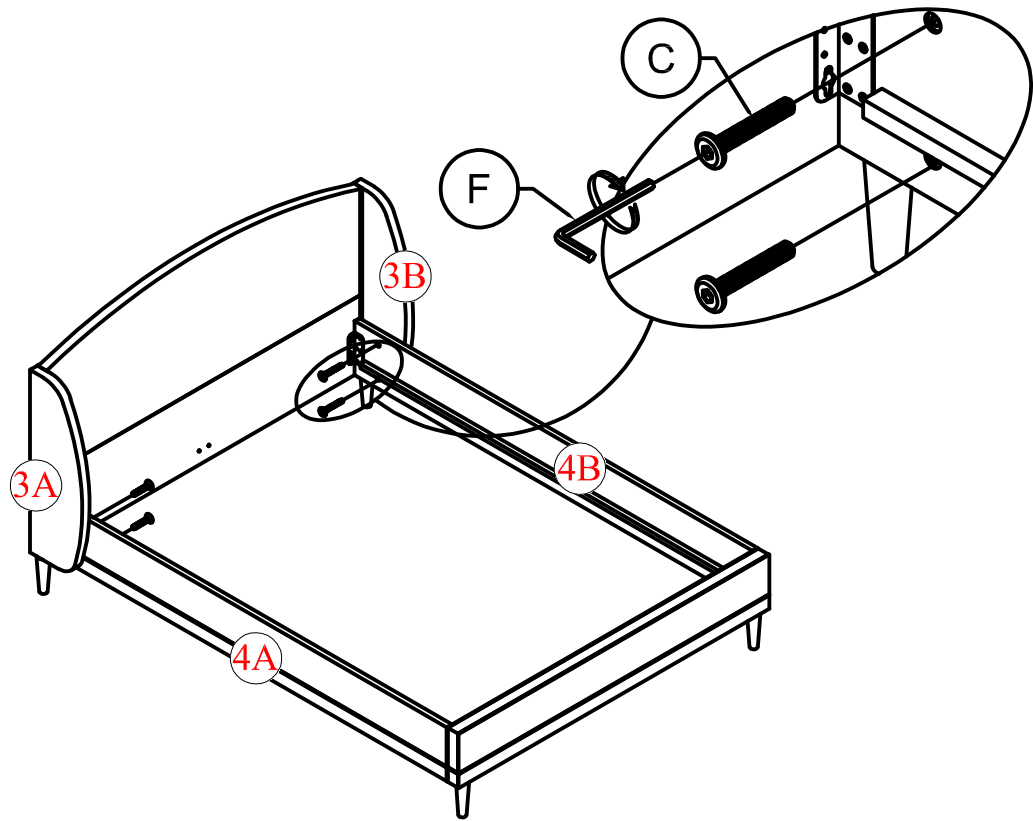
Attach the Bed Legs (10) to the Left Headboard Side (3A), the Right Headboard Side (3B) by using 8 Screws (G), 2 Steel Bracket (H) and a Screwdriver (Not Provided).

Step 6



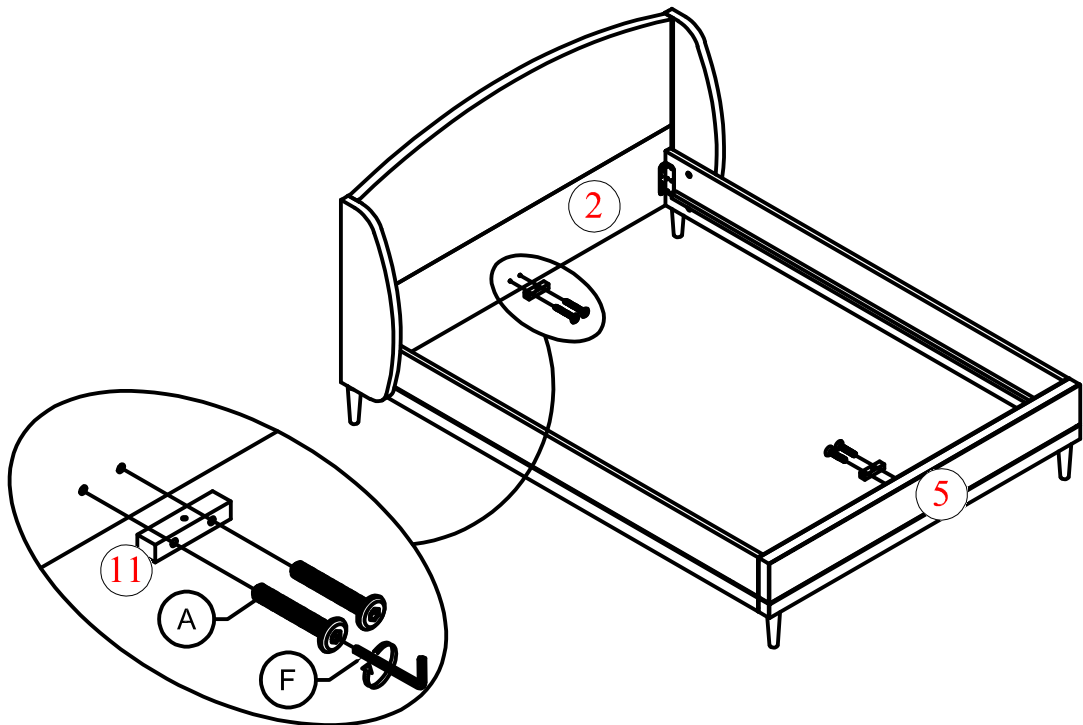
With the help of your partner, stand the completed the Footboard (5) and Headboard from Step 5 as shown in the picture above. Affix by using 8 Bolts (B) with Allen Wrench (F).

Step 7



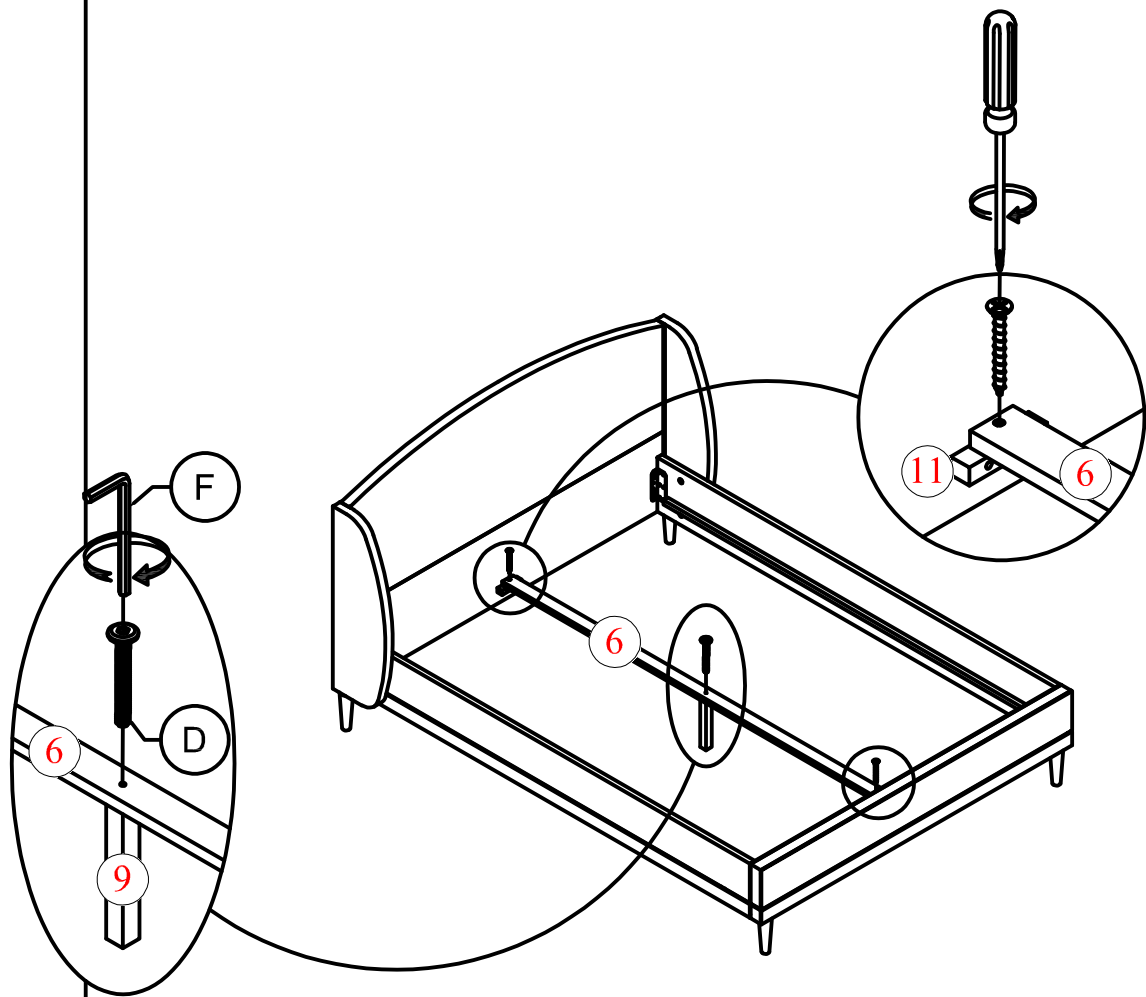
Attach the Left/Right Side Rail (4A)/(4B) to the Left/Right Headboard Side (3A)/(3B) by using using 4 Bolts (C) with Allen Wrench (F).

Step 8



Attach the Wooden Bar (11) to the Headboard (2) and the Footboard (5) by using using 4 Bolts (A) with Allen Wrench (F).

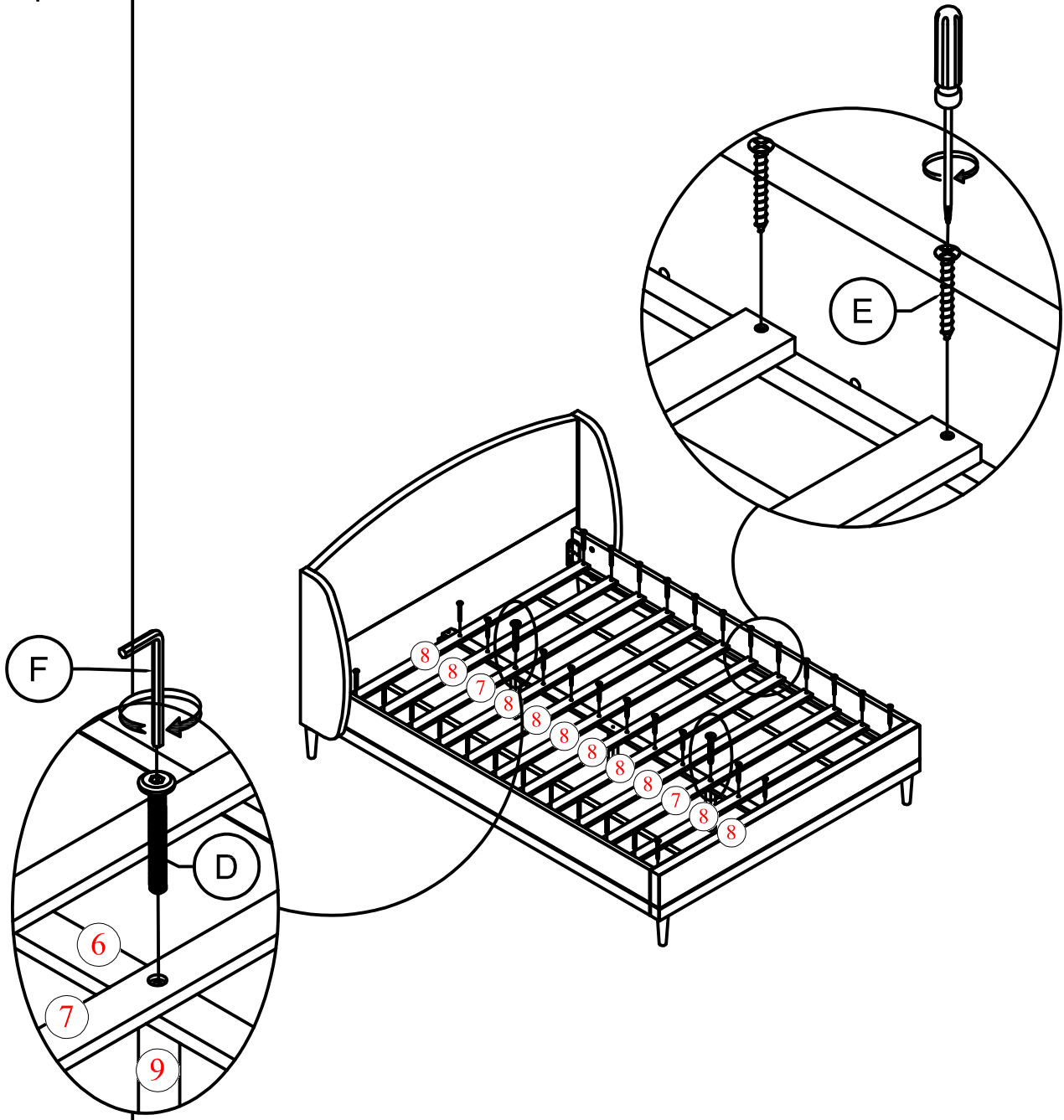
Step 9



Align the Mounting Position on the Slat Support Bar (6) to the Support Leg (9) . Attach the Slat Support Bar (6) to the Wooden Bar by 2 Screws (E) and a Screwdriver (Not Provided). Then fix Support Leg (9) and by using 1 Bolts (D) with Allen Wrench (F).

DO NOT FULLY TIGHTEN BOLTS IN ONE GO, TIGHTEN THE BOLTS AFTER 3PCS Support Leg (9) ARE ATTACHED.

Step 10

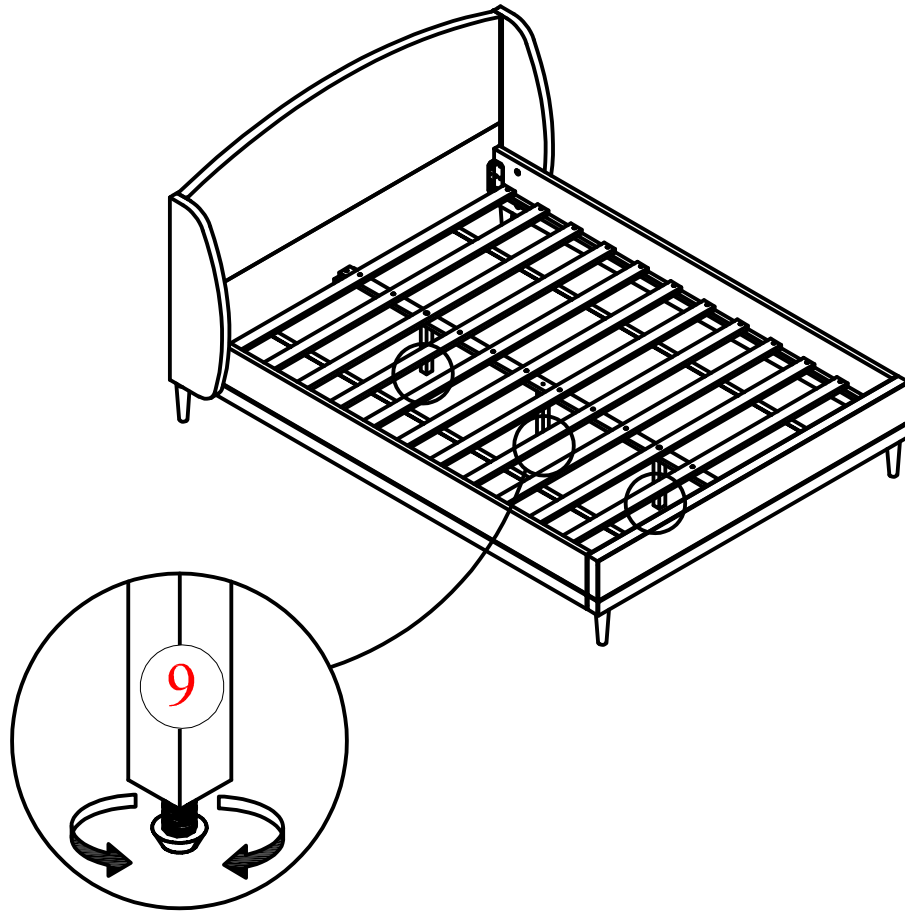


Align the Mounting Position on the Slat Support Bar (6) to the Support Leg (9) and the Slat (7). Attach the Slat (7) and the Slat Support Bar (6) to the Support Leg (9) and by using 2 Bolts (D) with Allen Wrench (F).

DO NOT FULLY TIGHTEN BOLTS IN ONE GO, TIGHTEN THE BOLTS AFTER 3 PCS Support Leg (9) ARE ATTACHED.

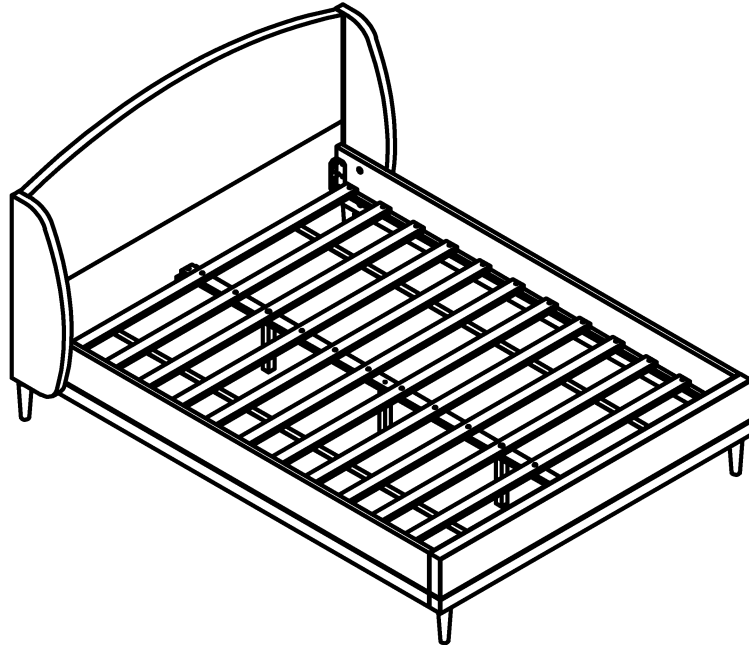
Fix the Slats (7)/(8) to Side Rails (4) and the Slats Support Bar by using 34 Screws (E) and a Screwdriver (Not Provided).

Step 11



Rotate counterclockwise to increase the length of Floor Leveler, and raise that corner.
Rotate clockwise to lower that corner.

Step 12



Place the Bed on a LEVEL SURFACE.
Inspect it and make sure all parts are adequately connected.

Don't push too hard, shake on the bed.

This would help to align all the parts at all the joint areas.

CAUTION 1: When tightening these screws, tighten sequentially.

DO NOT tighten any screw fully and then towards the next one.

This would cause the frame to warp.

If there is still wobbles, loosen the screws and execute this same process. DO NOT tighten any screw fully and then towards the next one.

WARNING!! IF BED IS NOT STABLE , IT COULD LEAD TO DAMAGING THE PRODUCT.

Ensure all screws are fully locked into position.

The bed is ready to be used.

CAUTION 2: This bed can only be used on a flat, level surface.