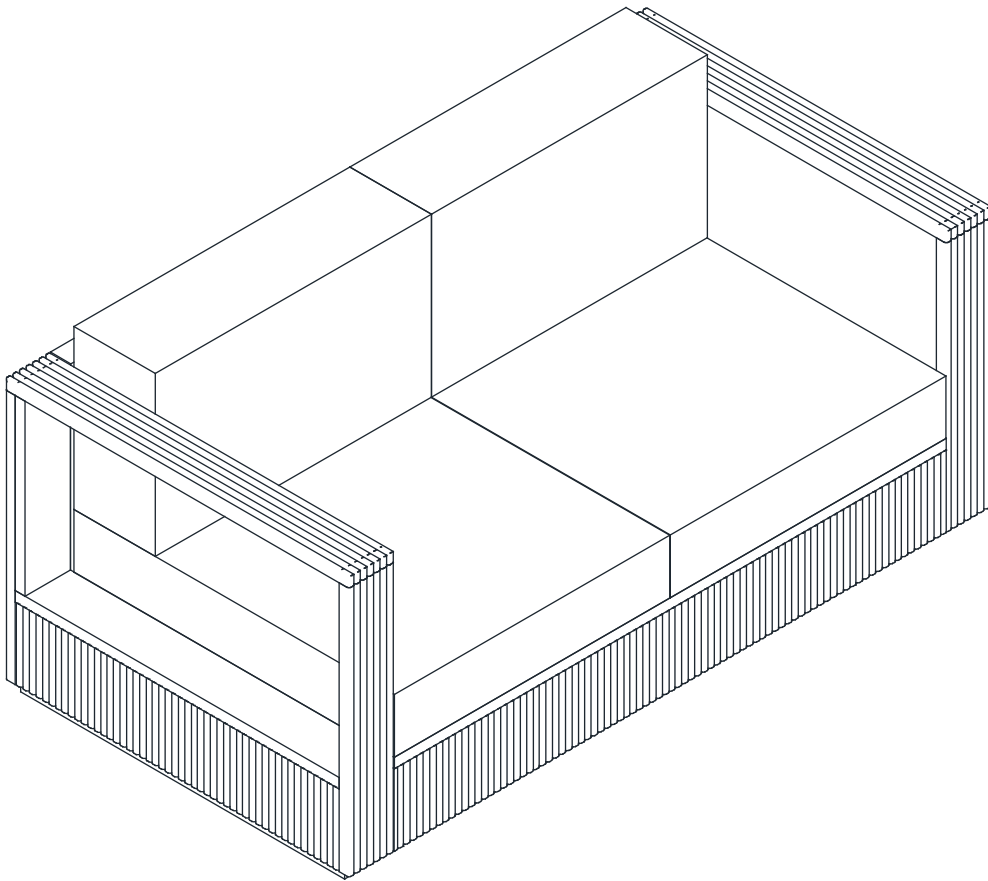


# PATIO LOVESEAT

## Assembly Instructions

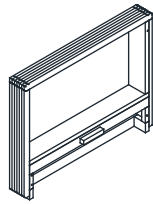


---

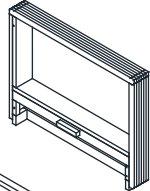
Every thing we make is incredibly simple to set up, including your new Patio Loveseat. You won't need any additional tools.

## Parts & hardware

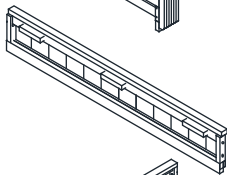
A x 1  
Frame Leg 1



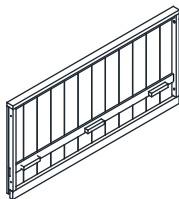
B x 1  
Frame Leg 2



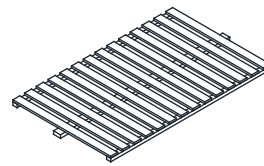
C x 1  
Frame Front



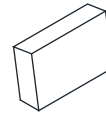
D x 1  
Frame back



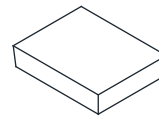
E x 1  
Frame Seat



CSH 1 x 2  
Back Cushion



CSH 2 x 2  
Seat Cushion

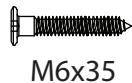


---

HW1 x 8  
Allen Bolt: M6x0.5x35 mm



HW2 x 2  
Allen Screw: M6x0.5x35 mm

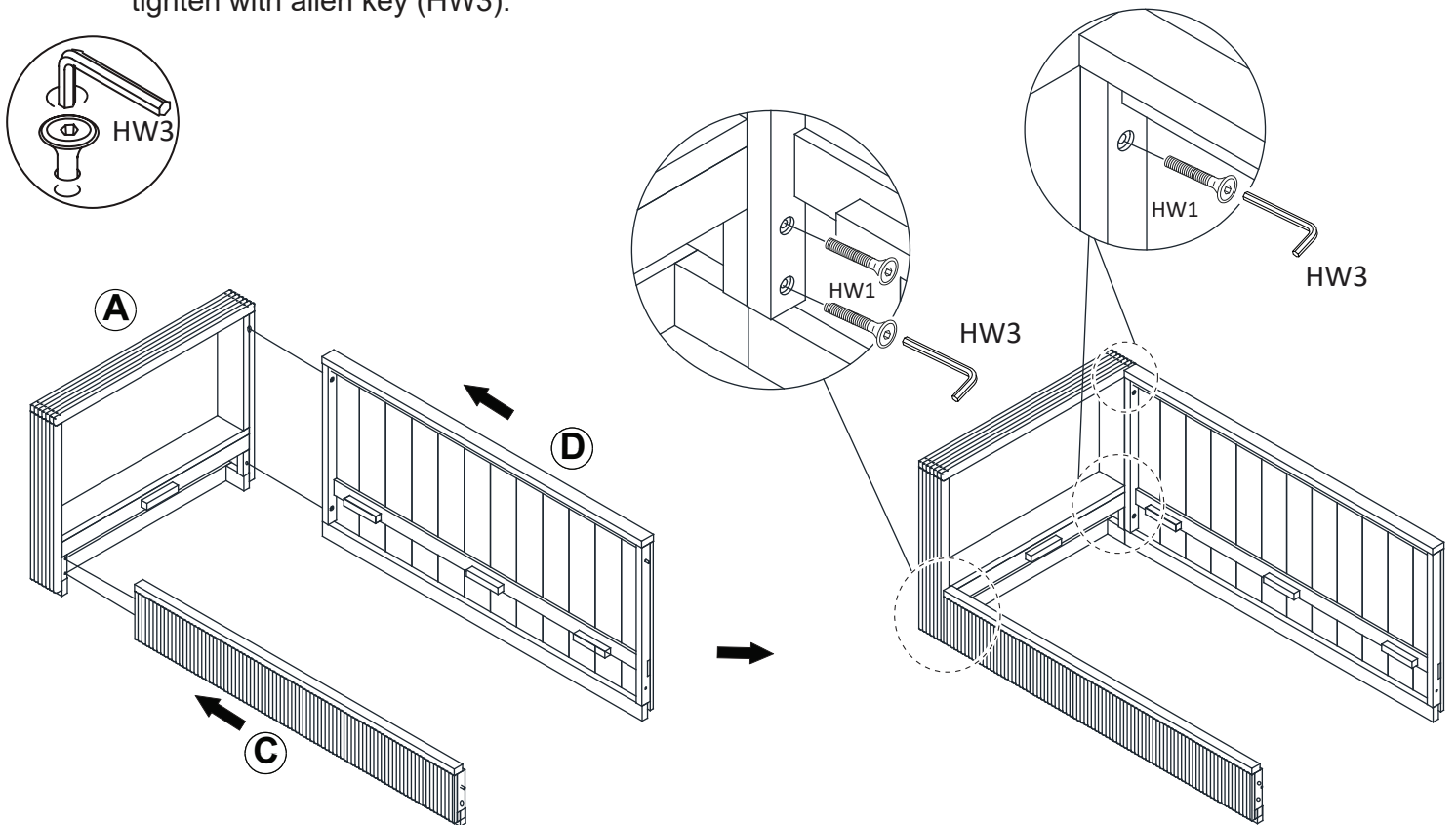


HW3 x 1  
Allen key



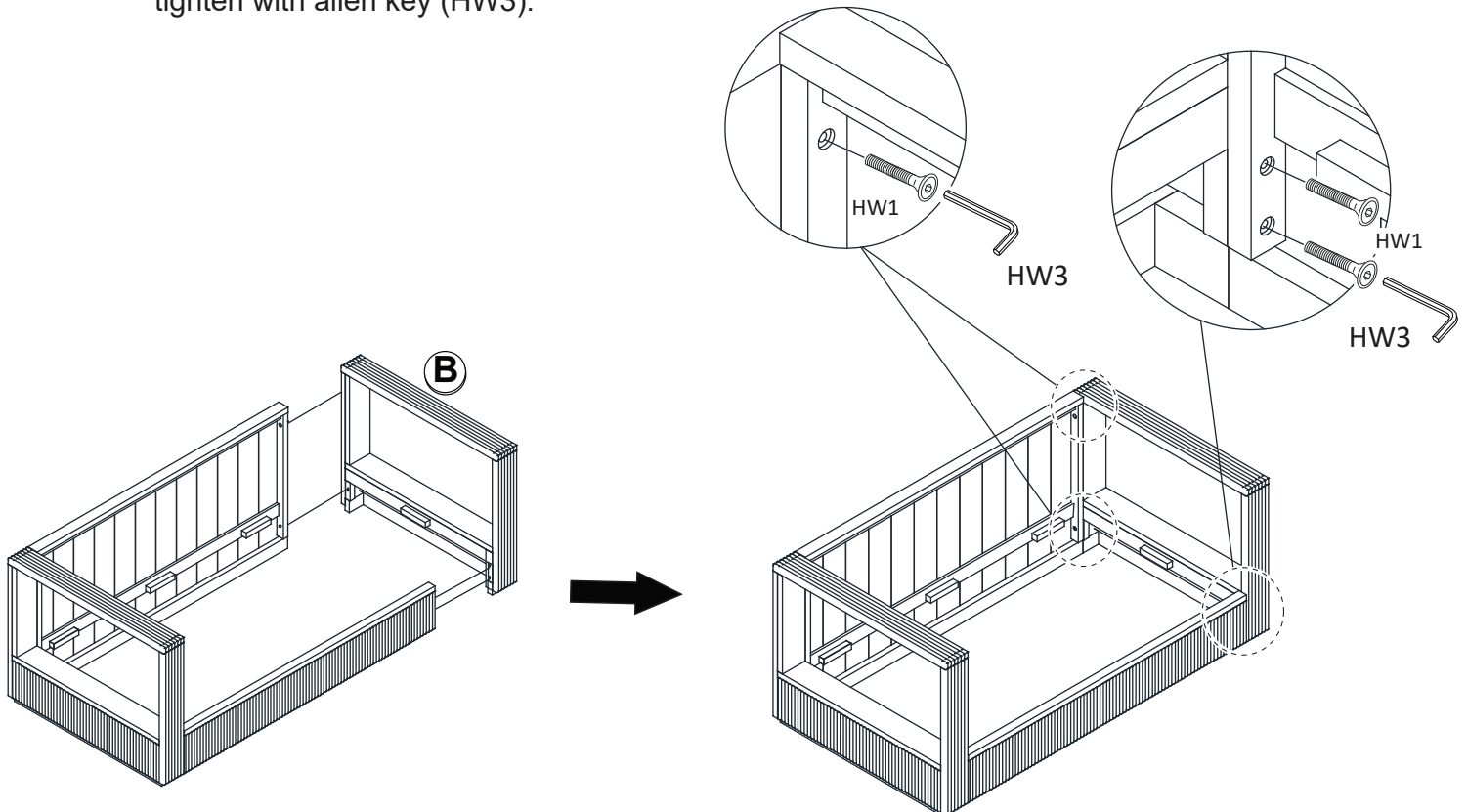
1

Attach Frame Front (C), and Frame Back (D) to Frame Leg 1 (A), use Bolt (HW1) tighten with allen key (HW3).



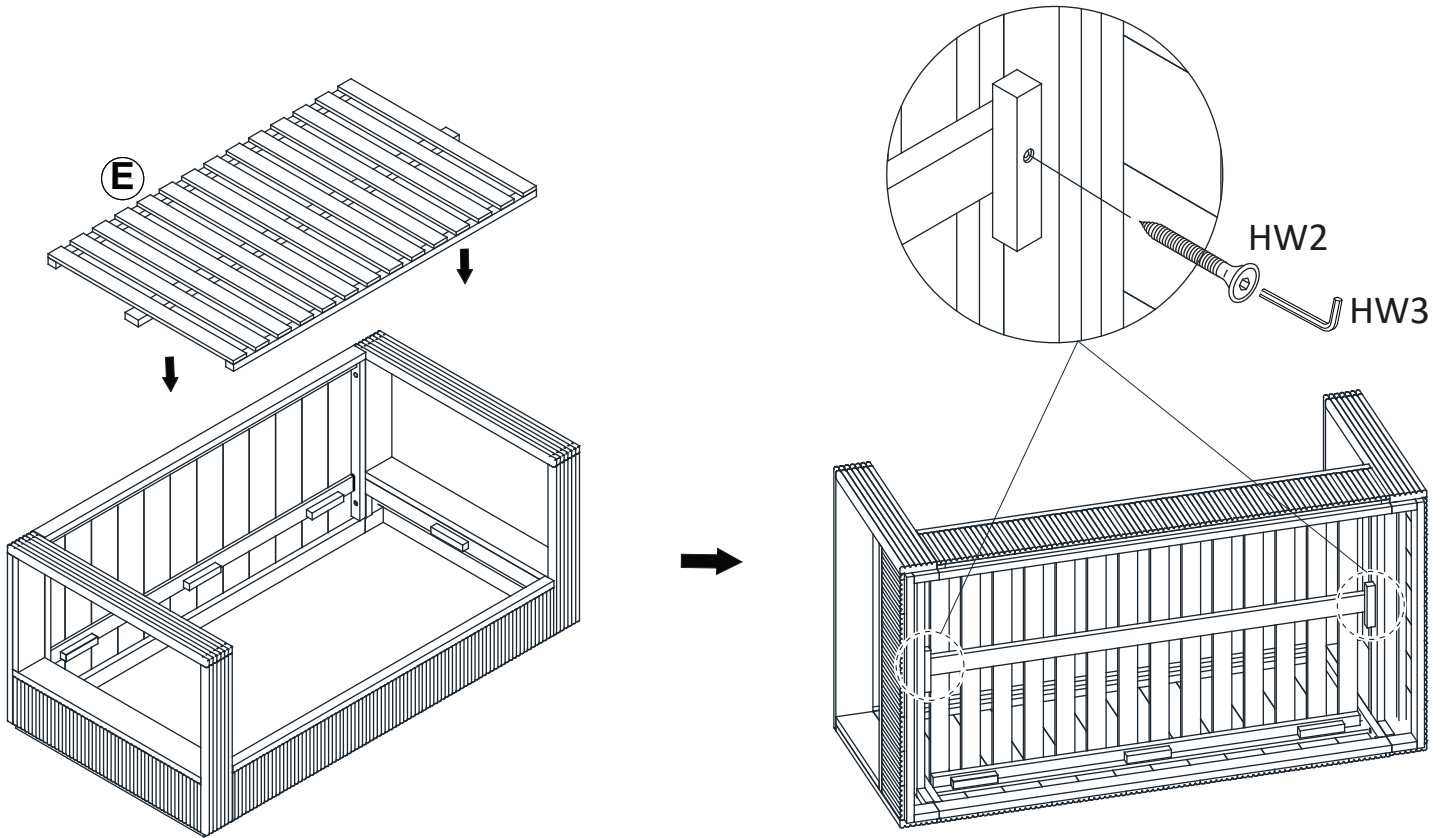
2

Attach Frame Leg 2 (B) to Frame Front (C) and Frame Back (D), use Bolt (HW1) tighten with allen key (HW3).



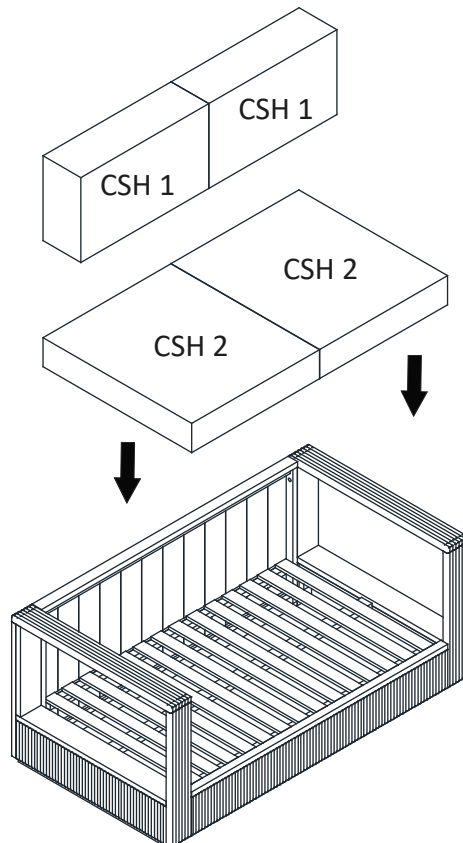
5

Attach Frame Seat (E) to Chair .Use Screw (HW2) tighten with allen key (HW3).



6

Attach Seat Cushion (CSH 2) and Back Cushion (CSH1) in Chair.



---

7

Place the PATIO LOVESEAT in the place where you will use it. We'd love to see it - just tag us

