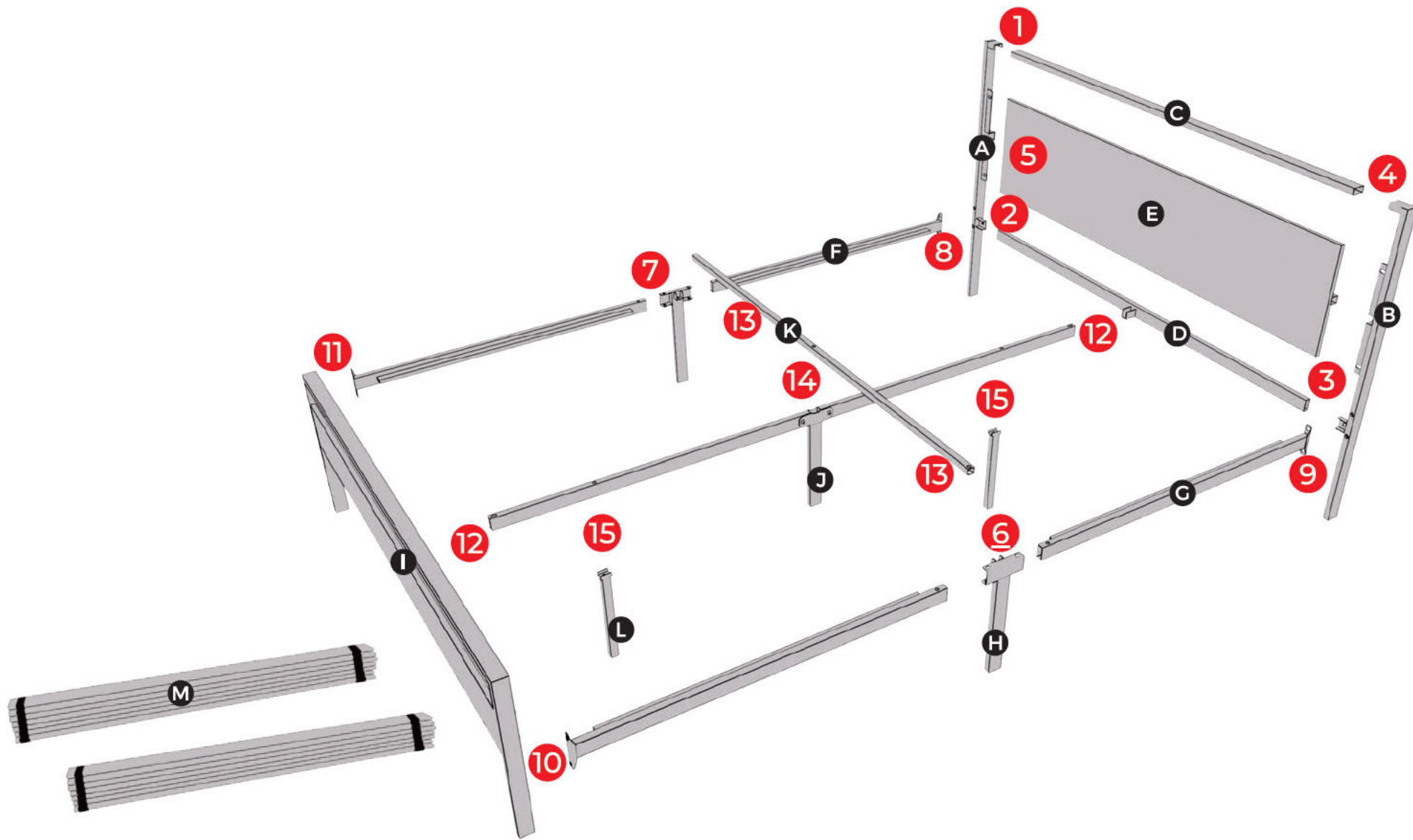


OPEN FRAME METAL AND WOOD PLATFORM BED



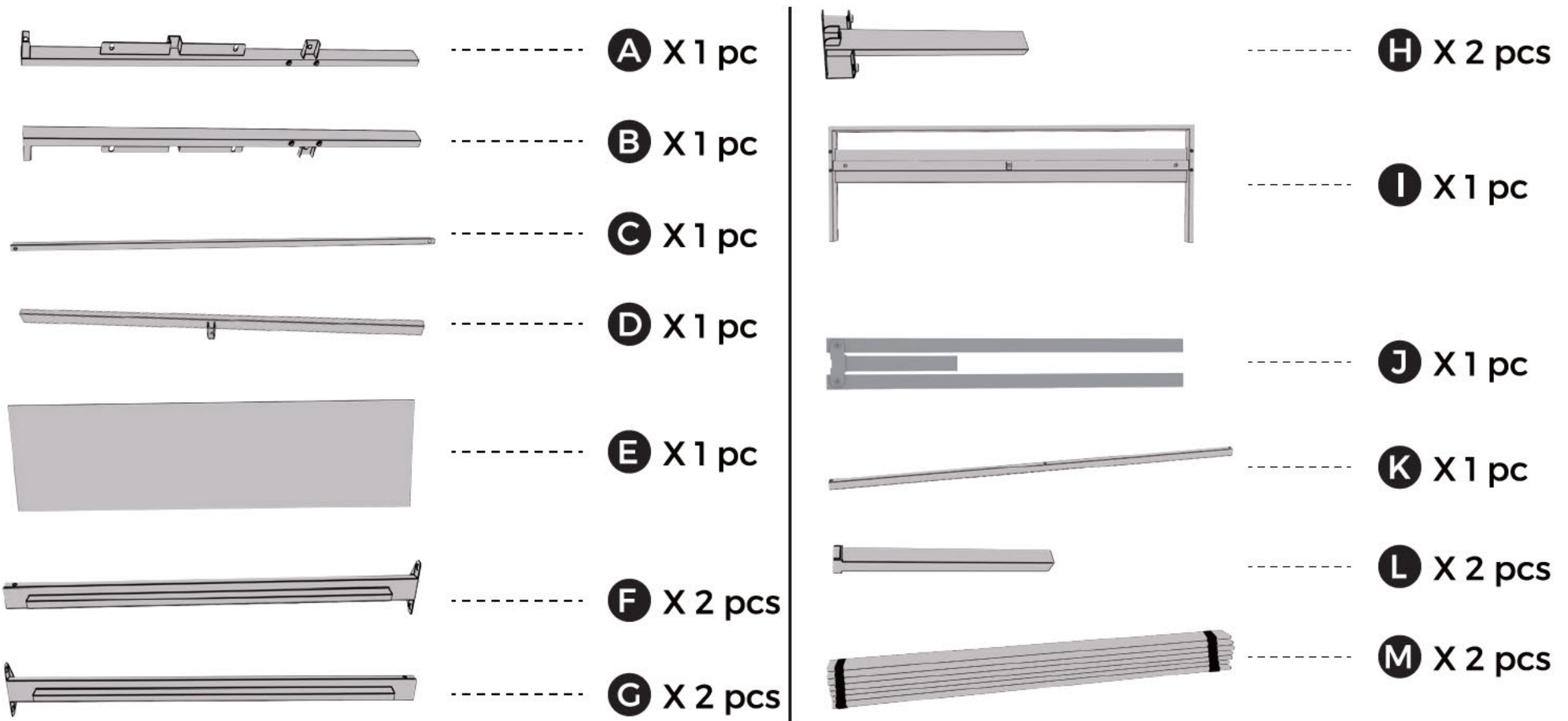
FULL / QUEEN / KING

ASSEMBLY INSTRUCTIONS



FULL / QUEEN / KING

PARTS LIST



S X16 pcs



M8 x 12mm

T X2 pcs



M8 x 30mm

U X8 pcs



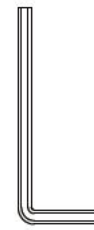
M8 x 55mm

V X1 pc



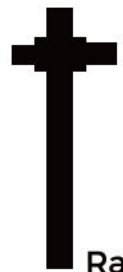
M8 x 70mm

X1 pc



Wrench

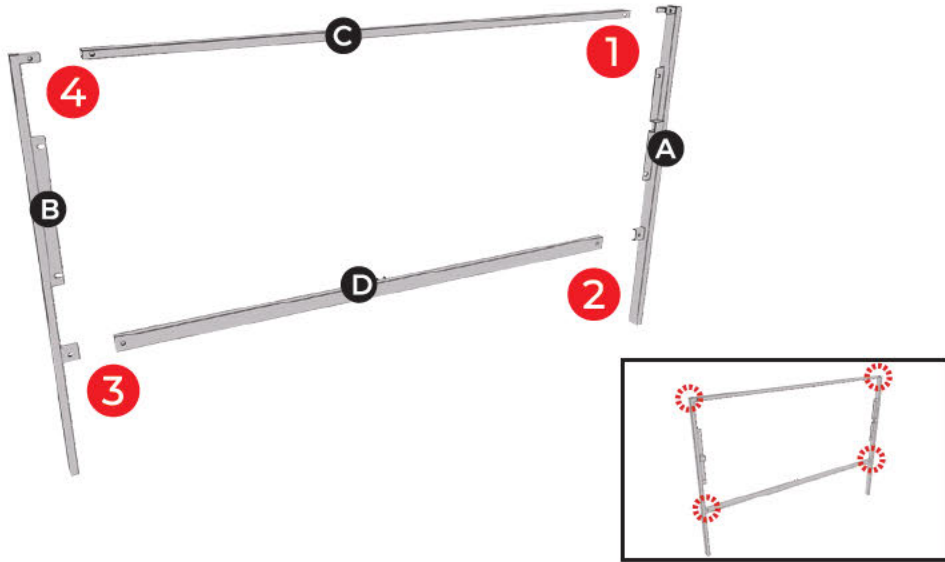
X1 pc



Ratchet

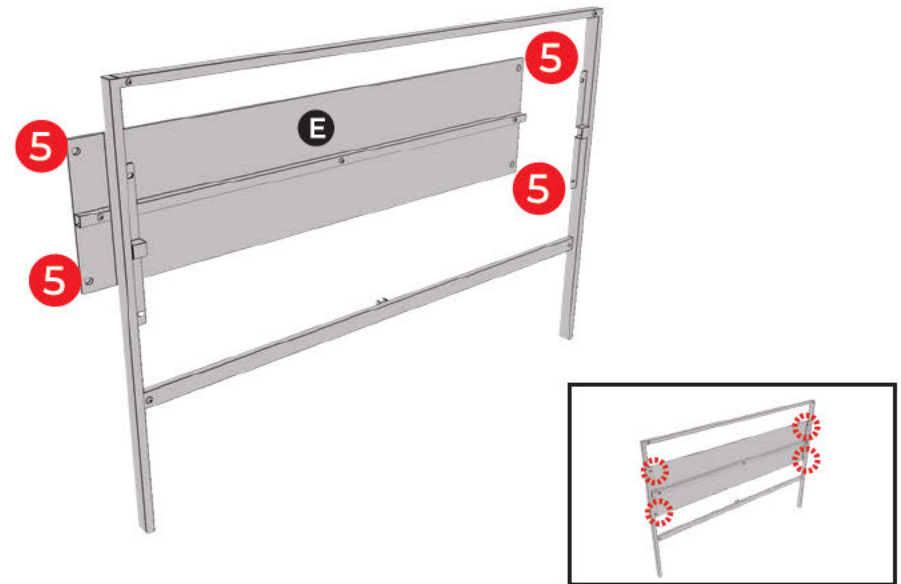
1

S X 4 pcs
M8 x 12mm



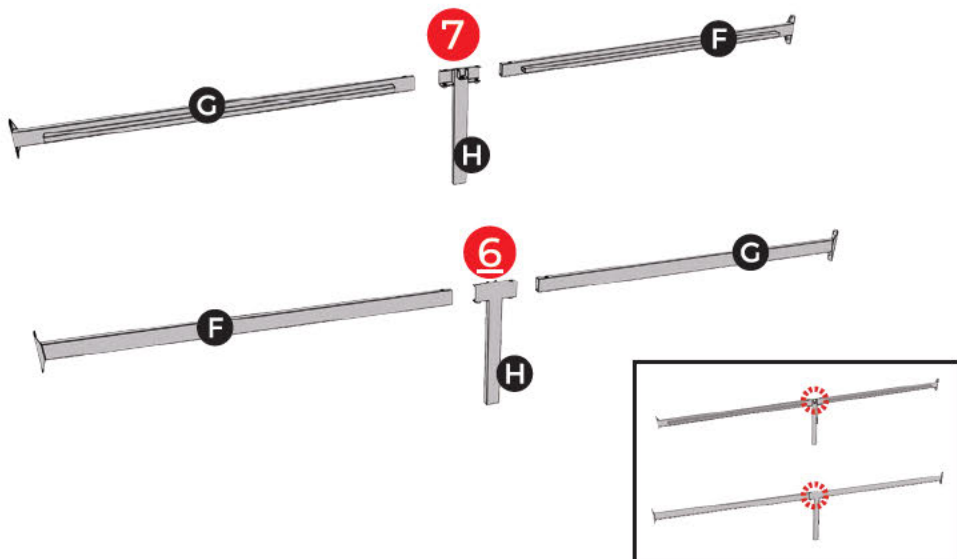
2

S X 4 pcs
M8 x 12mm



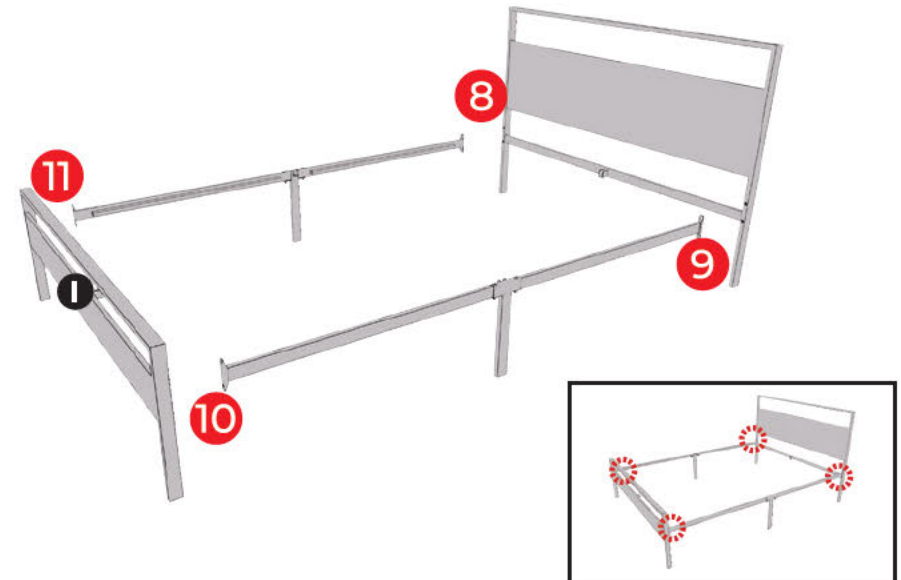
3

U X 4 pcs
M8 x 55mm



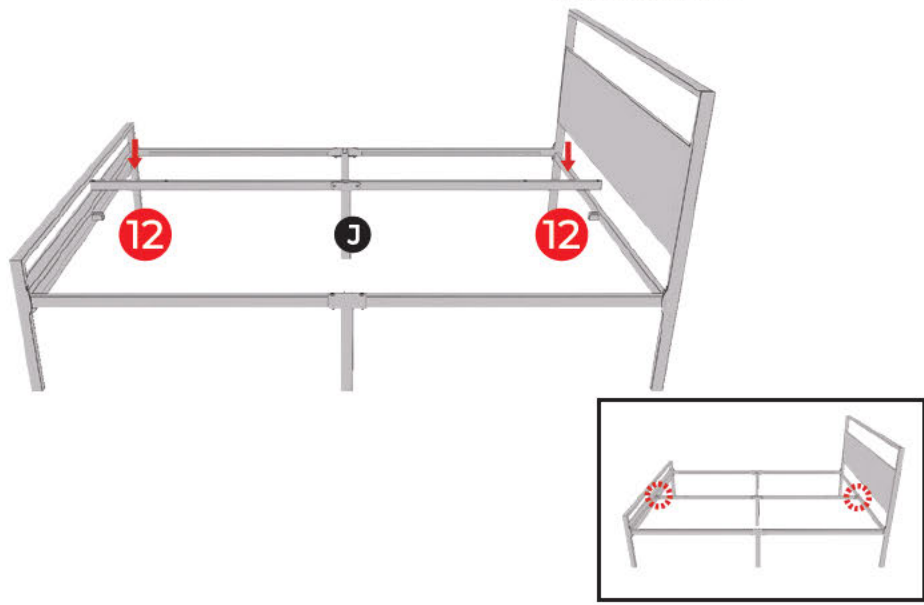
4

S X 8 pcs
M8 x 12mm





5

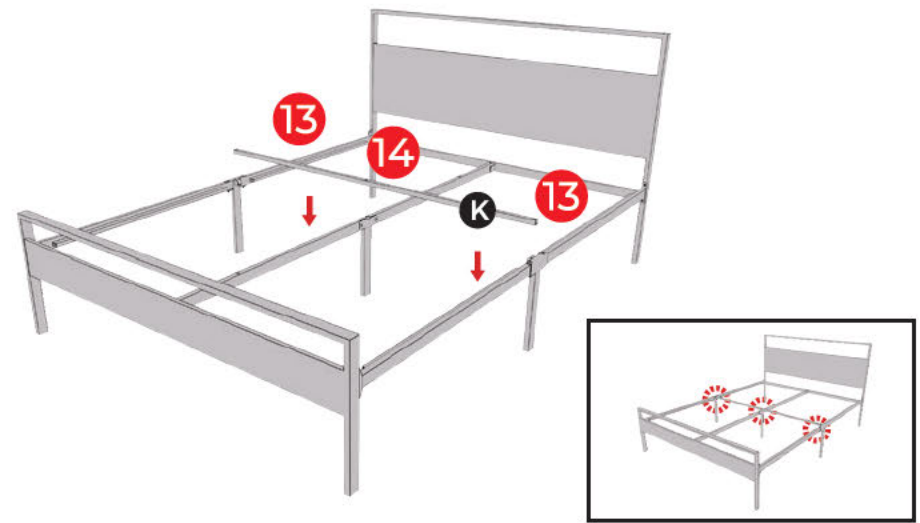
U  X 2 pcs
M8 x 55mm



6

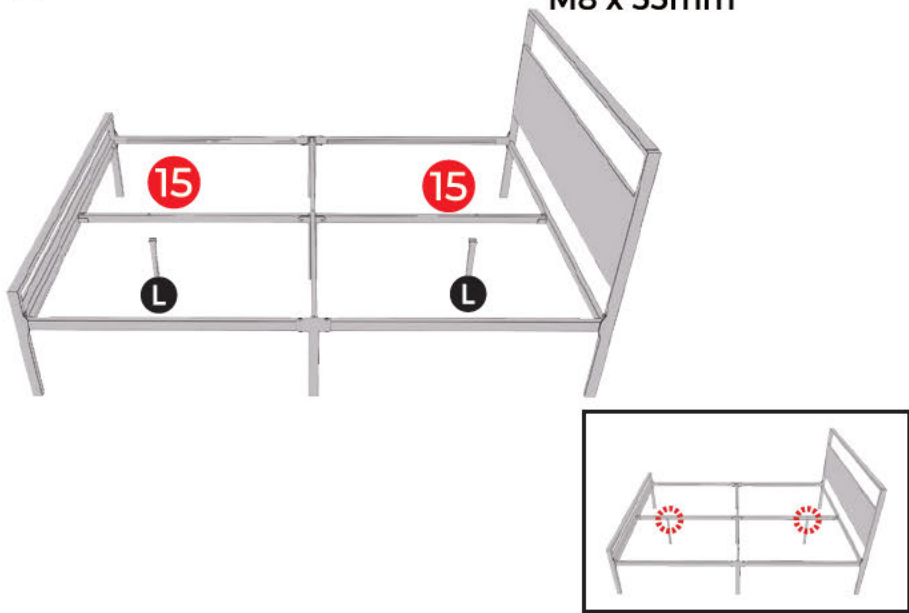
T  X 2 pcs
M8 x 30mm

V  X 1 pc
M8 x 70mm

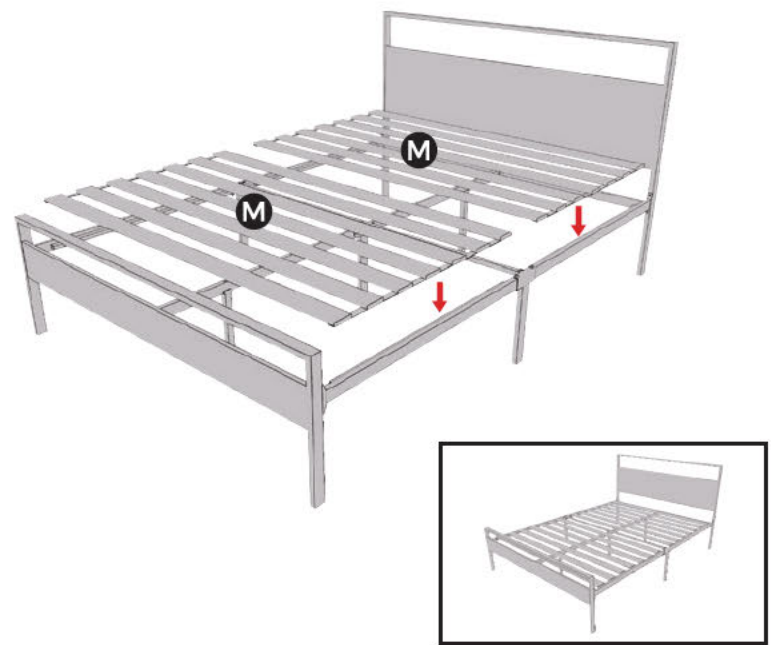


7

U  X 2 pcs
M8 x 55mm



8



LIMITED 5-YEAR WARRANTY

WHAT IS COVERED

This warranty covers any defects in materials or workmanship, with the exceptions stated below.

HOW LONG COVERAGE LASTS

This warranty runs for five (5) years from the date of purchase.

WHAT IS NOT COVERED

The warranty applies only to the original purchaser and does not cover: (a) wear and tear; (b) improper maintenance, misuse, or alteration; (c) repair by unauthorized representatives; (d) damage resulting from transit or handling; or (e) transportation costs.

The foregoing warranty shall be exclusive and in lieu of any other warranty, express or implied, including warranties of merchantability and fitness for a particular purpose and all other warranties otherwise arising by operation of law, course of dealing, custom, trade, or otherwise. Neither the seller nor the manufacturer shall be liable for any injury, loss or damage, direct or consequential arising out of the use or inability to use this product.

WHAT WE WILL DO

At our sole discretion we will repair, replace, or refund any product that proves to be defective in materials or workmanship.

HOW STATE LAW APPLIES

This warranty gives you specific legal rights, and you may also have other rights which vary from state to state.