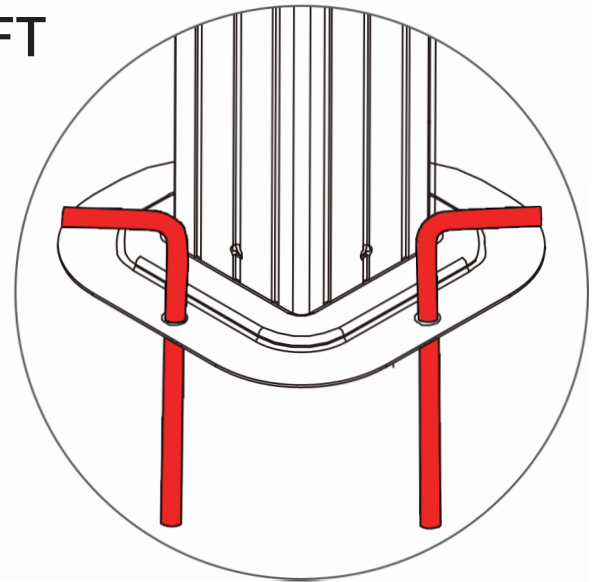


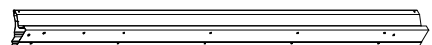
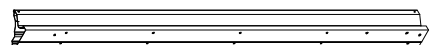
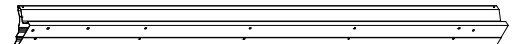








**12X20 FT**






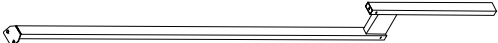



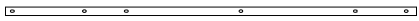






"IMPORTANT, RETAIN FOR FUTURE REFERENCE: READ CAREFULLY"



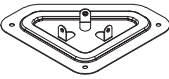
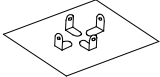




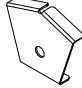
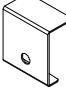
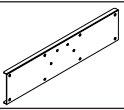

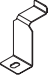
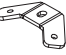
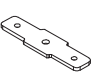

1. Must use ground nails, ropes, and expansions screws for whichever ground you install on for stability to avoid devastating injuries for people inside or nearby and property damage caused by a collapsing gazebo.
2. Do not use this gazebo in high winds, heavy snow, or inclement weather. It is not designed to withstand strong gusts of wind, heavy snow accumulation, or other inclement weather. Must take precautions when the wind speed exceeds 25Mph, and clear snow when it accumulates more than 2 inches.
3. Before use, thoroughly inspect the gazebo to make sure all bolts, nuts, and buckles have been completely tightened and securely fastened.
4. Warranty does not cover damages, losses, or injuries resulting from improper installation, misuse, not using stability accessories mentioned above, non snow cleaning, failure to take precautionary measures, etc.







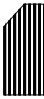












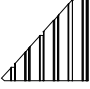

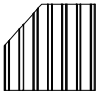

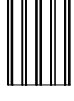

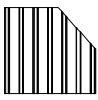


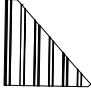
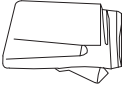
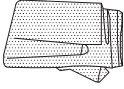
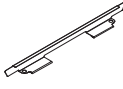
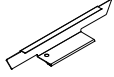





1. Two or more people are required for assembly.
2. A ladder and electric drill may be necessary.
3. Do not erect the structure in heavy winds or inclement weather.
4. Do not leave up this unit for extended periods of time, as it is not a permanent structure or designed to withstand sustained wind or rain. It is a temporary, portable shelter that shields you from sunlight and rain. The screens also block flying insects.
5. Do not use candles, matches, or any open flames near the tent.
6. To better align the screws for practical situations, do not fully tighten screws initially.
7. Professional installation is highly recommended.



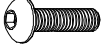






Item no.	Reference Image	Qty.
A		X4
A1		X2
B		X4
B1		X4
B2		X2
C		X4
C1		X4
C2		X2
C3		X2
D		X2
D1		X2
D2		X2
D3		X2


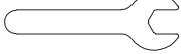





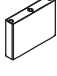


Item no.	Reference Image	Qty.
D4		X2
D5		X2
Ea		X4
Eb		X4
E1		X2
E2		X4
E3		X2
F		X4
F1		X4
F2		X4
G1		X2
G2		X2
G3		X2
G4		X2
G5		X2
G6		X2

Item no.	Reference Image	Qty.
H		X4
H1		X4
J		X4
J1		X2
K		X4
K1		X6
L		X1
M		X1
N		X8
N1		X2
P		X6
U		X152
V		X6
W		X4
W1		X8
Y		X160

Item no.	Reference Image	Qty.	Item no.	Reference Image	Qty.
Q1		X2	R6		X2
Q2		X2	R7		X2
Q3		X2	R8		X2
Q4		X2	R9		X2
Q5		X2	R10		X2
Q6		X2	R11		X2
Q7		X2	R12		X2
Q8		X2	S		X2
R1		X2	Sa		X2
R2		X2	S1		X2
R3		X2	S2		X2
R4		X2	S3		X8
R5		X2	S4		X2

Item no.	Reference Image	Qty.
S5		X2
T		X4+X2
T1		X4+X2
Z		X72
Z1		X16
V1		X2
V2		X2
V3		X2
V4		X2
V5		X2

Item no.	Reference Image	Qty.
①	 M6X15mm	X330
②	 M6X23mm	X100
③	 M6X25mm	X7
④	 ST4.8X12mm	X28
⑤		X2
⑥	 M6X42mm	X8
⑦	 M6X47mm	X48
⑧	 M6X15mm	X16
⑨	 M6X10mm	X16

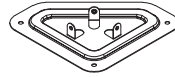
Item no.	Reference Image	Qty.
⑩		X20
⑪		X1
⑫		X1
⑬		X1
⑭		X20
⑮		X1
⑯		X12
⑰		X4
⑱		X4
⑲		X1

**1**

**X4**



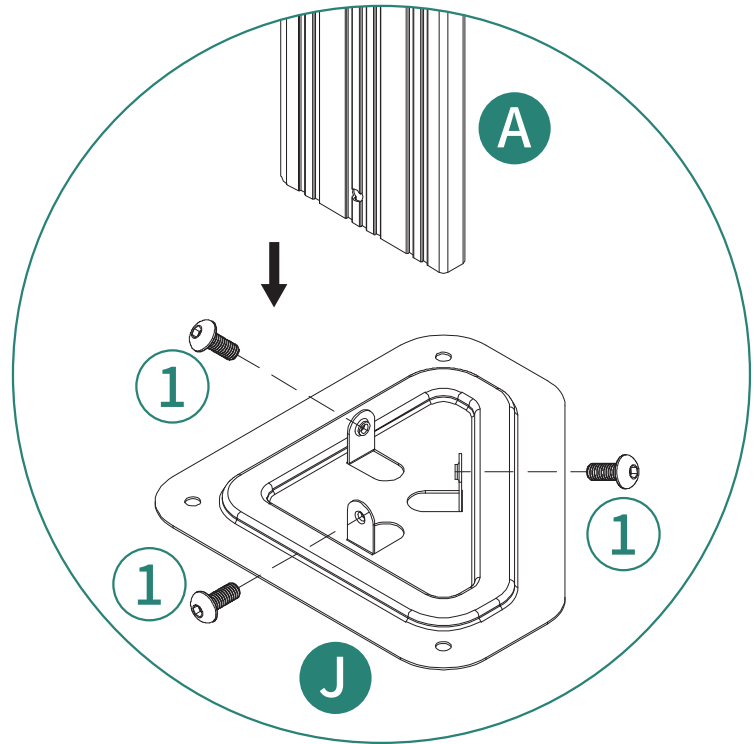
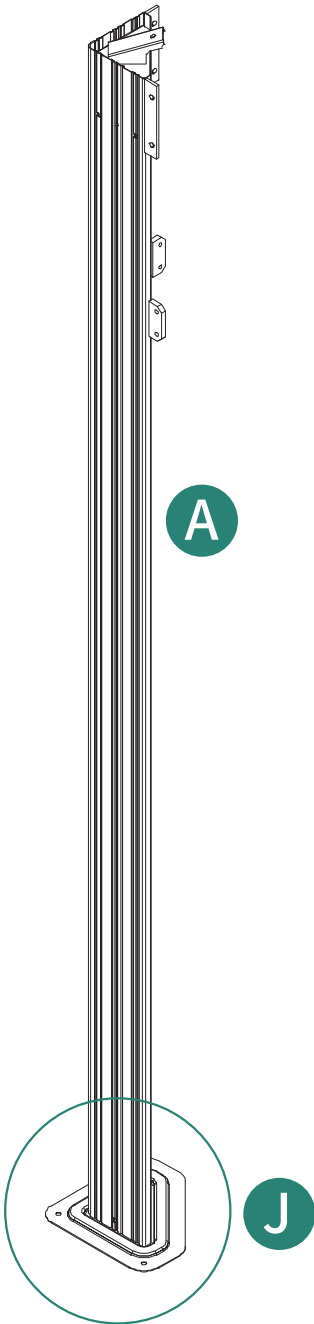
Ⓐ 4pcs



ⓙ 4pcs

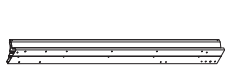


① 12pcs



# 2

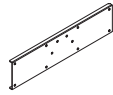
## X2



ⓑ2pcs



ⓑ12pcs

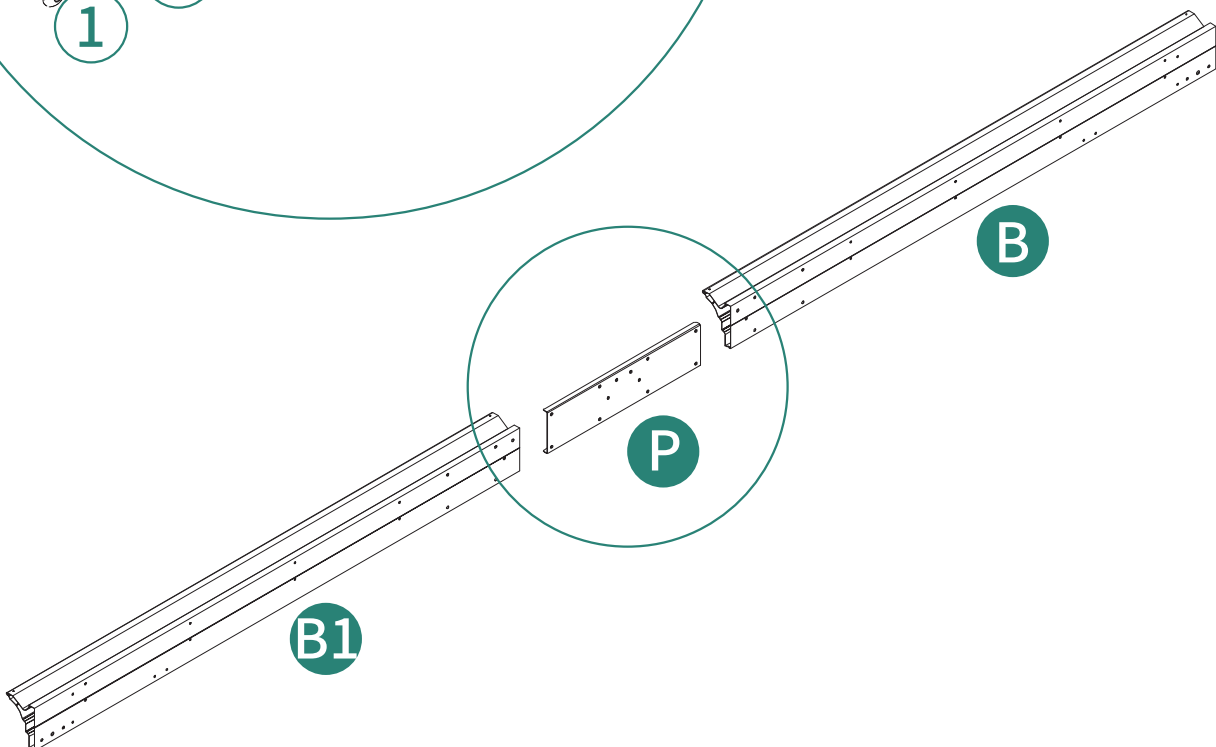
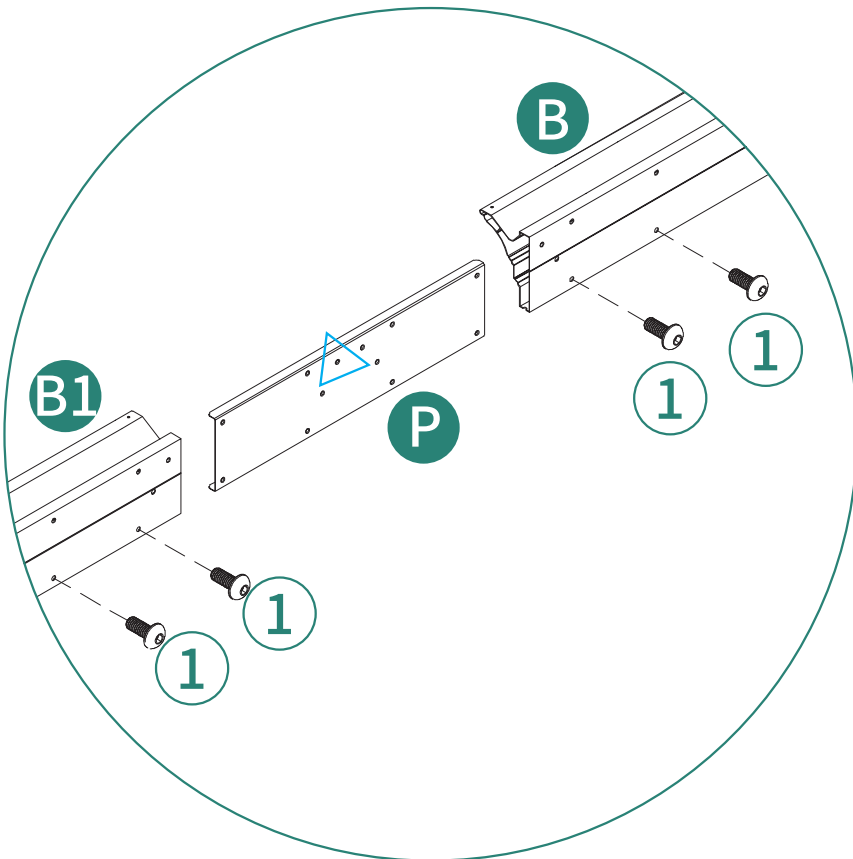


Ⓟ2pcs



①8pcs

When connecting B and B1 via P, make sure that 3 holes on part P (as shown in the picture) should be facing upwards. Do not install it upside down.



3

X2



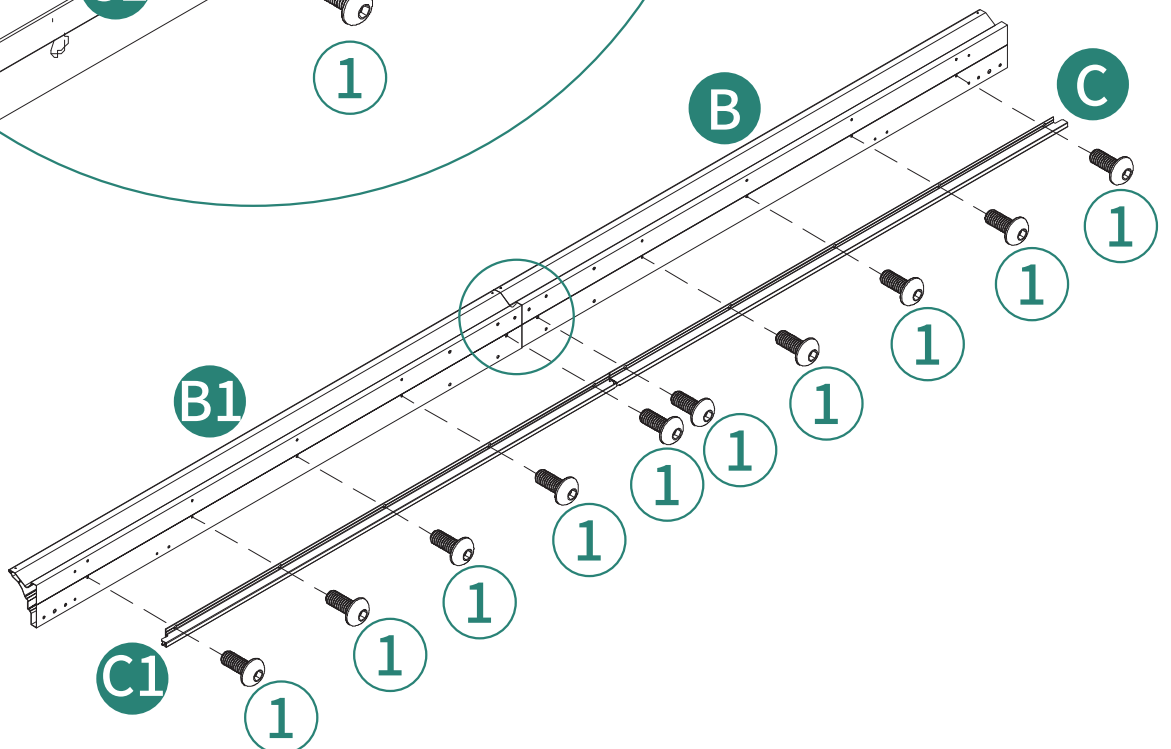
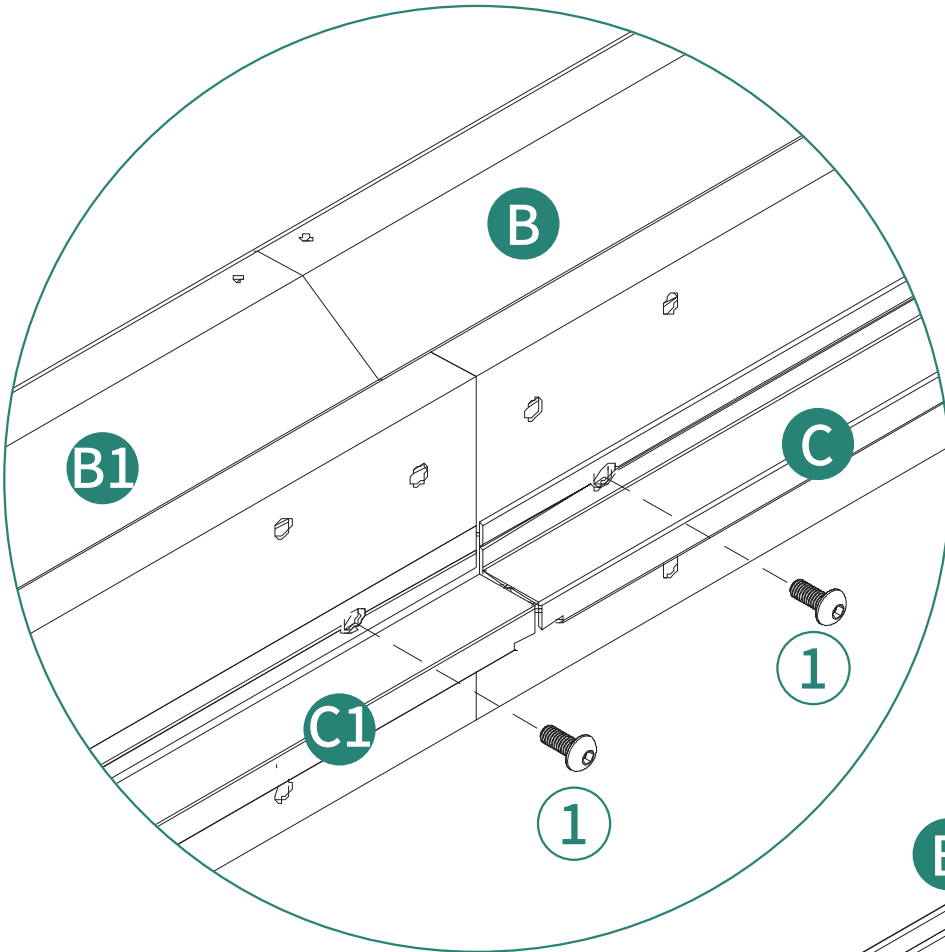
Ⓒ2pcs



Ⓒ12pcs



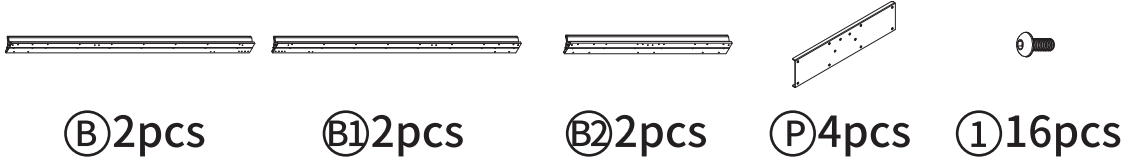
①20pcs



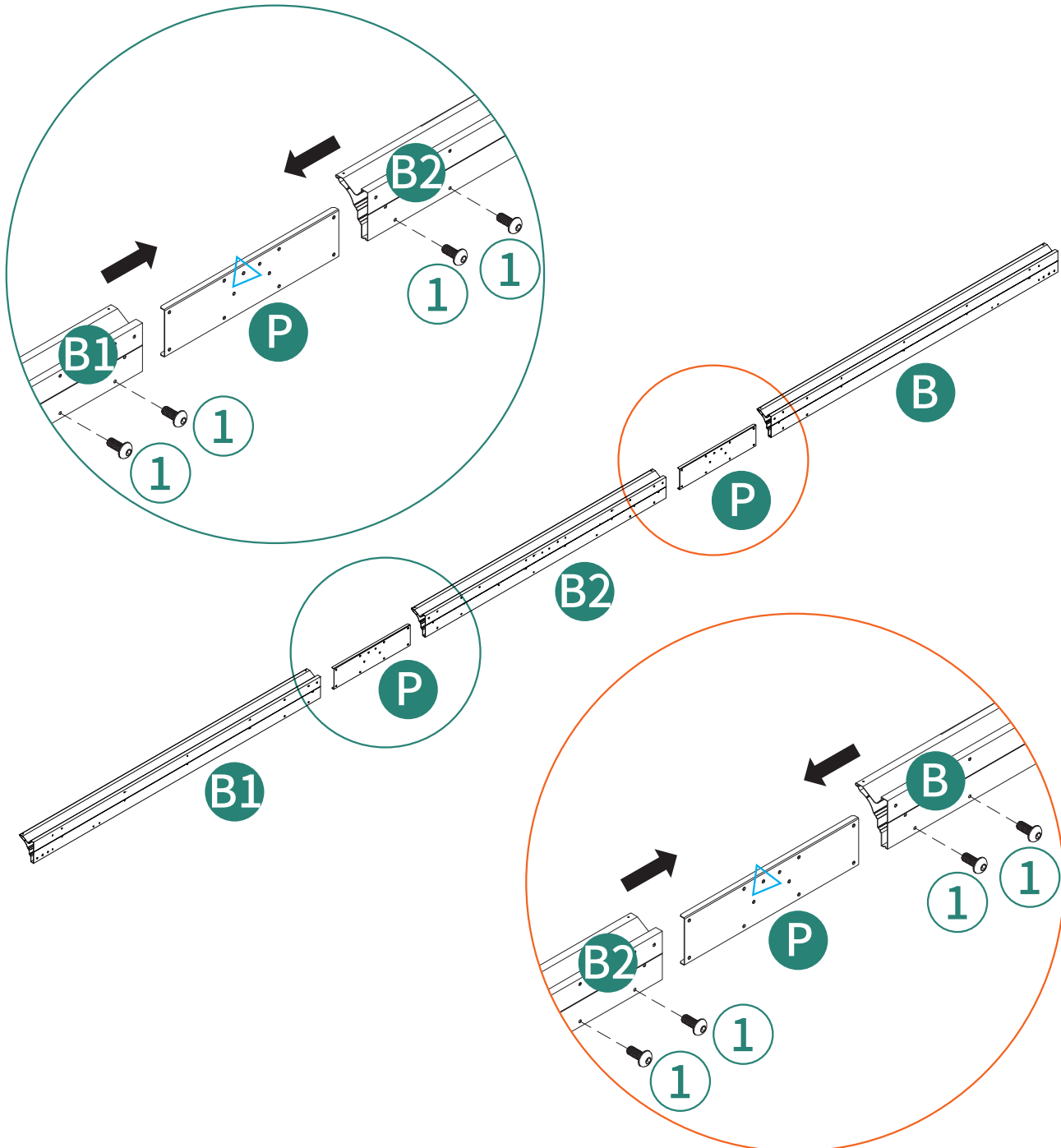


# 5

## X2



When connecting B1 and B2 via P, B2 and B via P, make sure that 3 holes on part P (as shown in the picture) should be facing upwards. Do not install it upside down.



6

X2



Ⓒ2pcs



Ⓒ12pcs



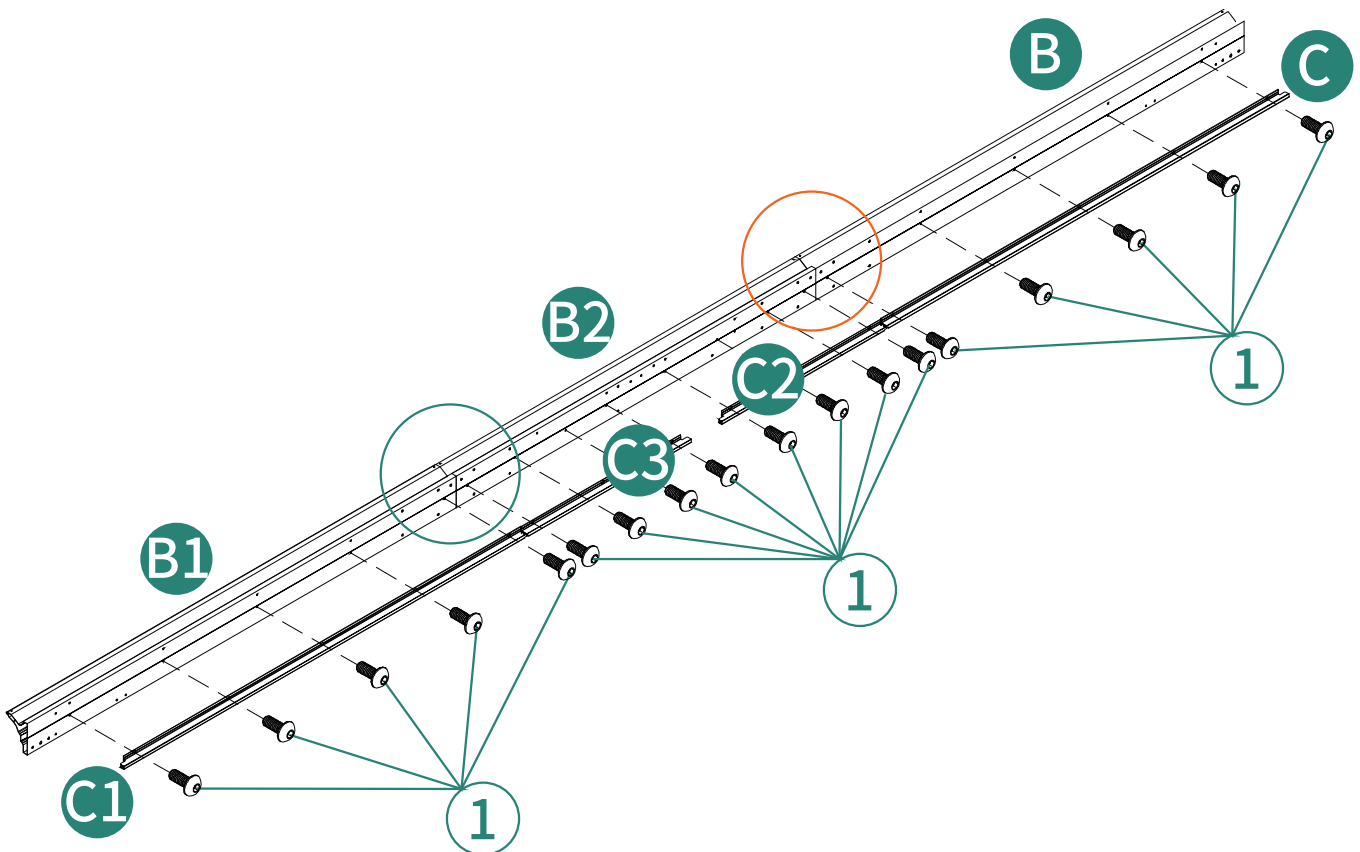
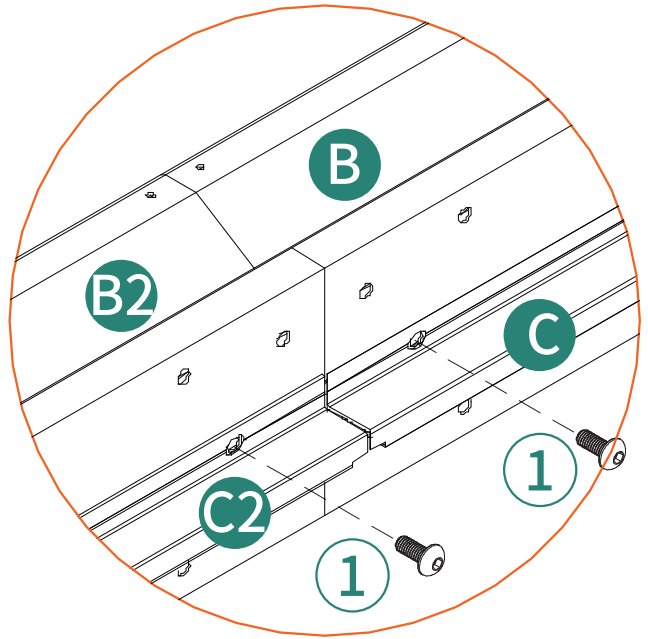
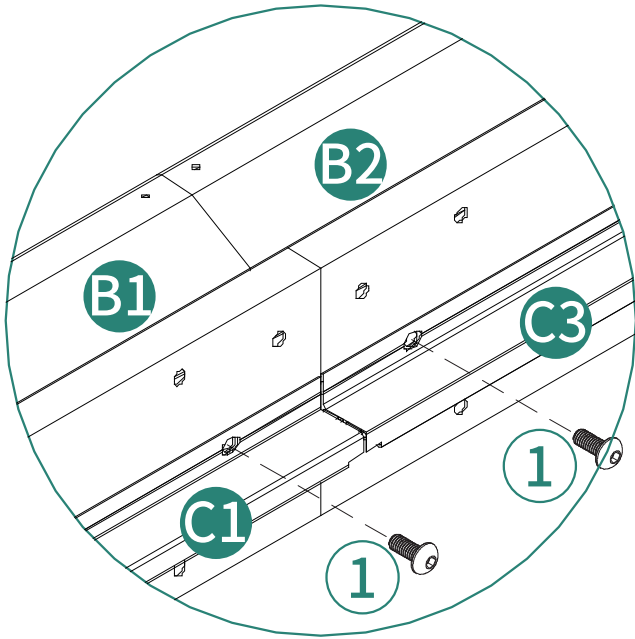
Ⓒ22pcs



Ⓒ32pcs

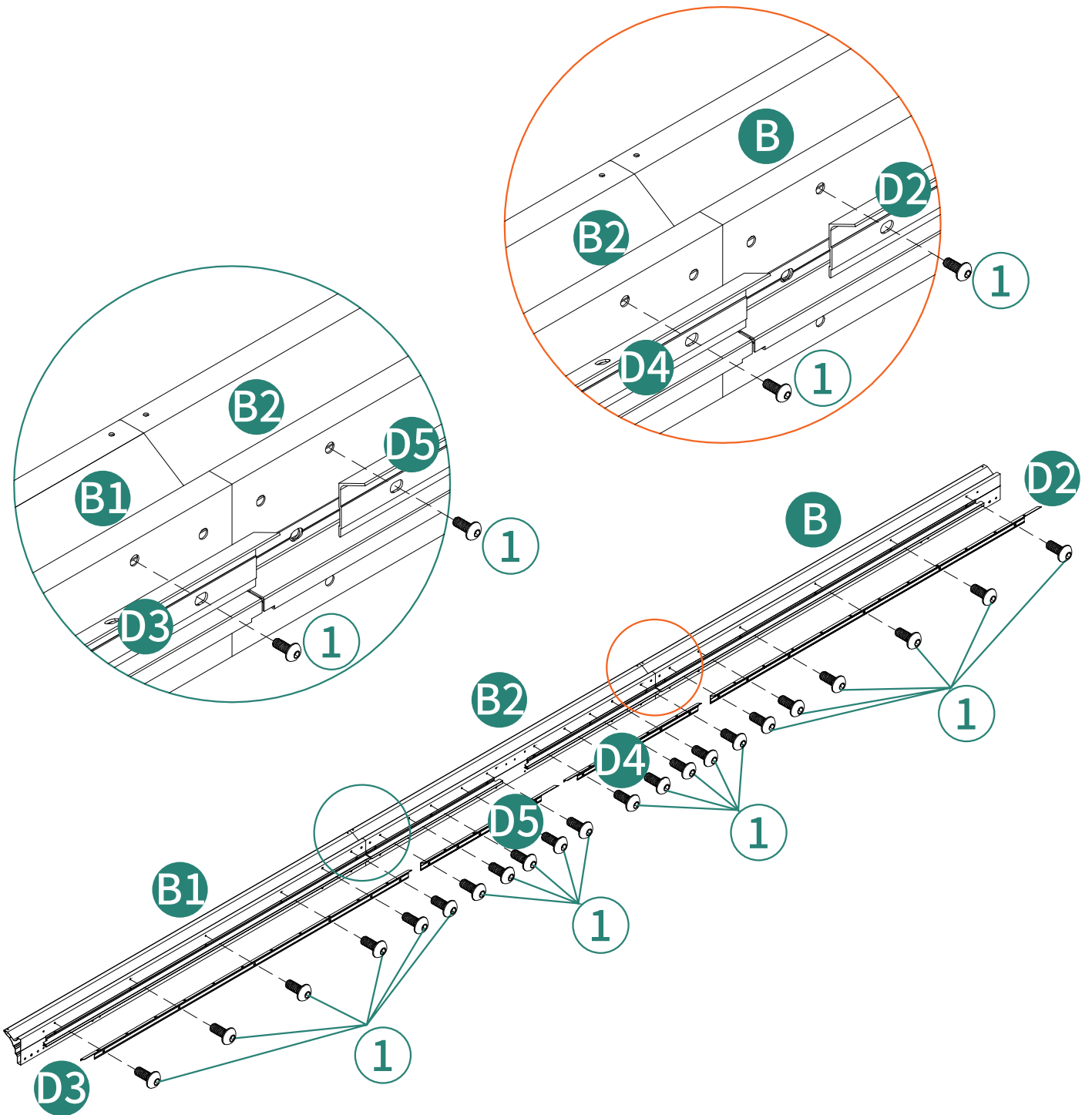
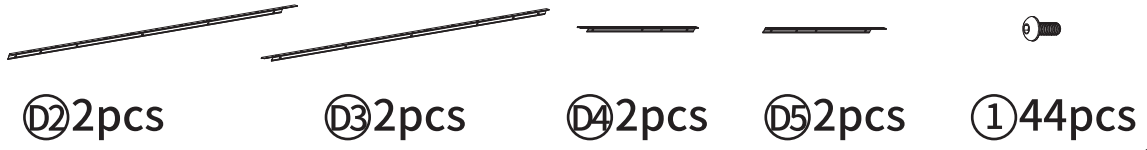


Ⓛ36pcs



7

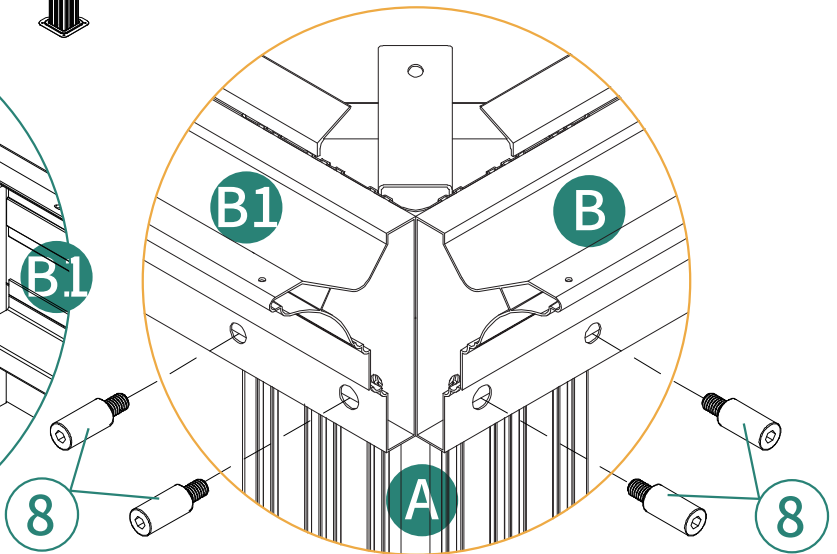
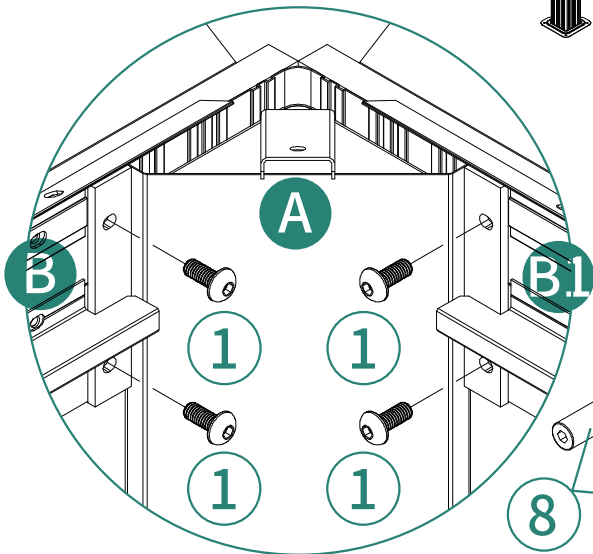
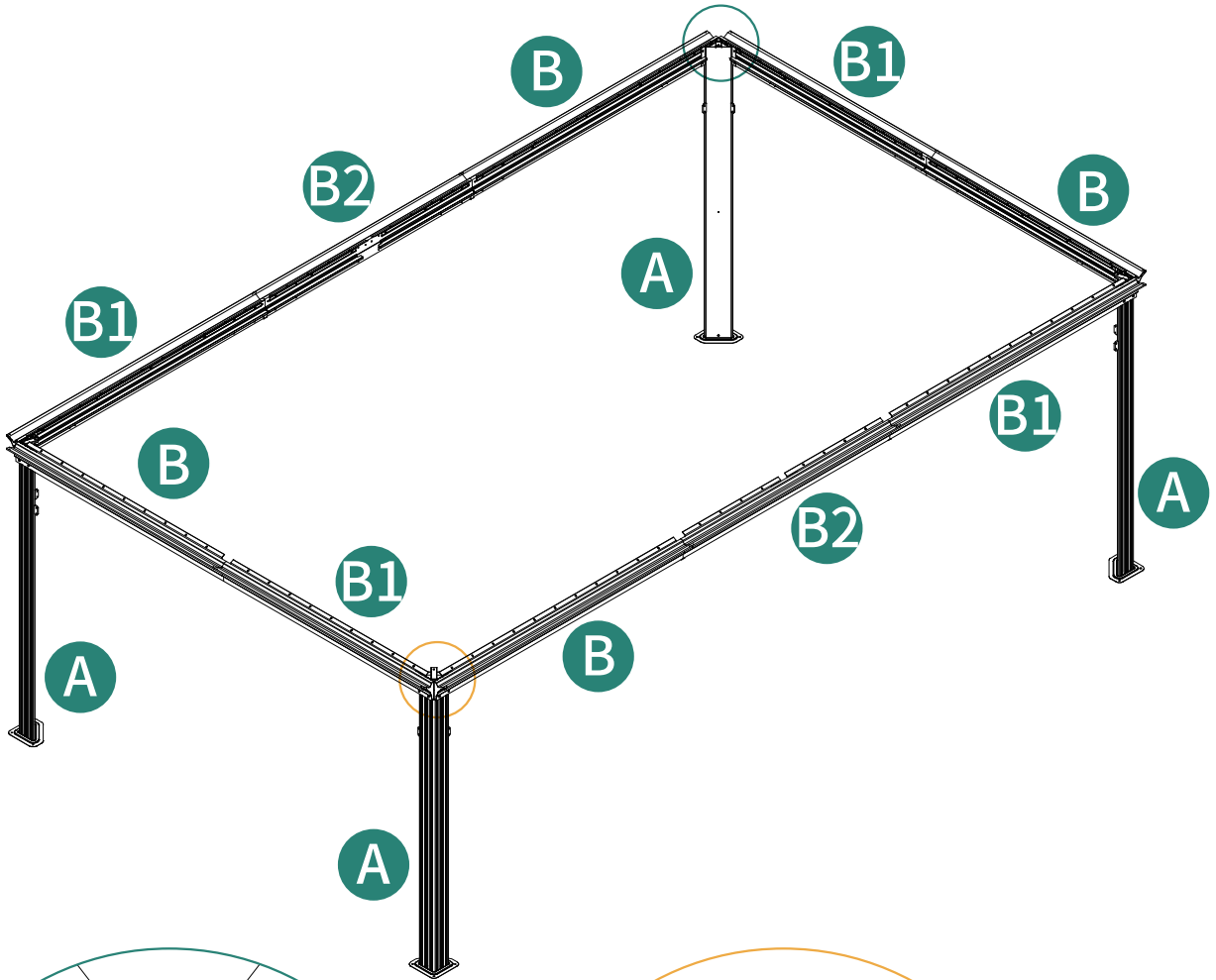
X2



8



①16pcs ⑧16pcs



9



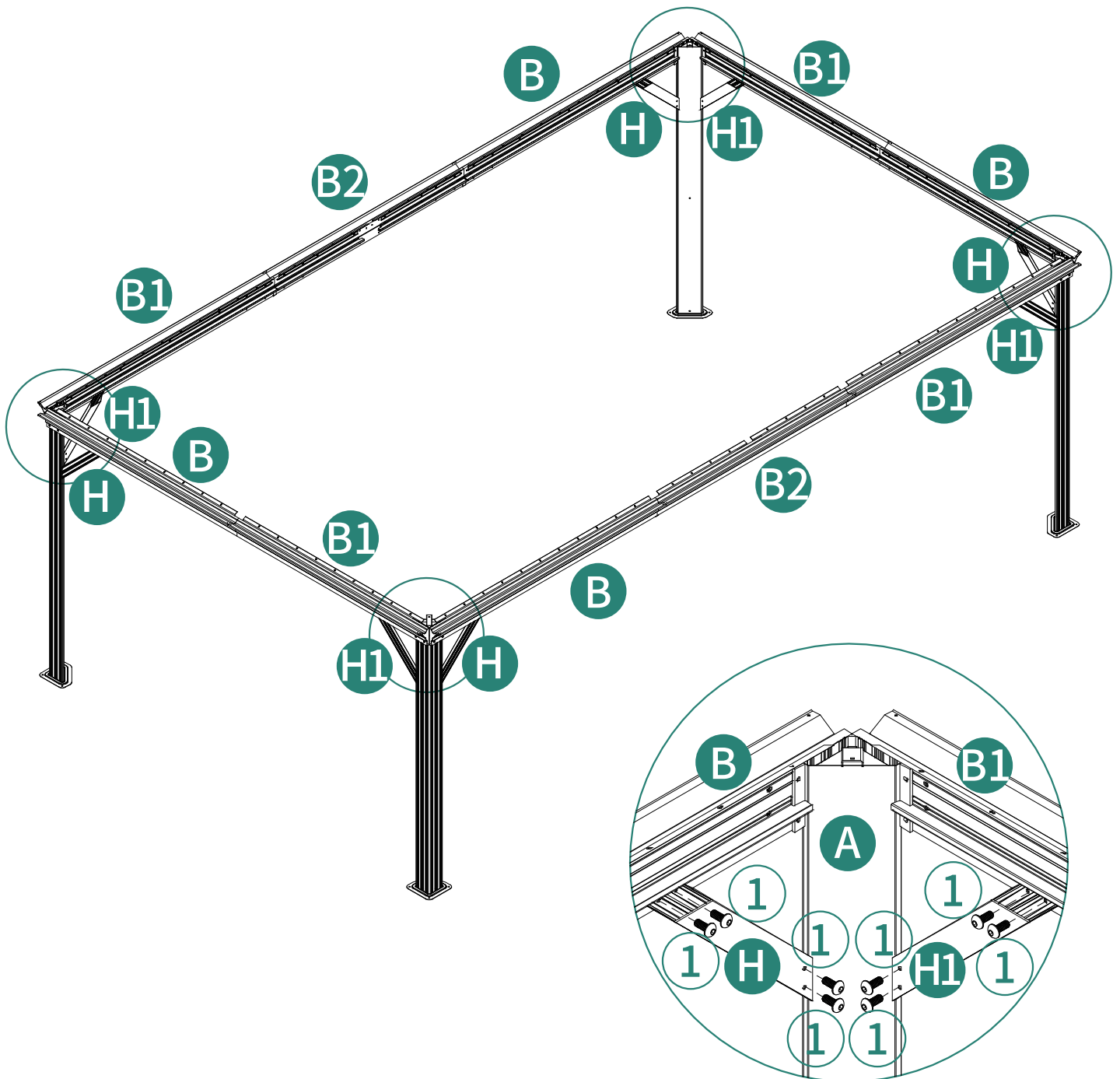
Ⓜ4pcs



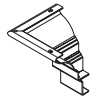
Ⓜ14pcs



①32pcs



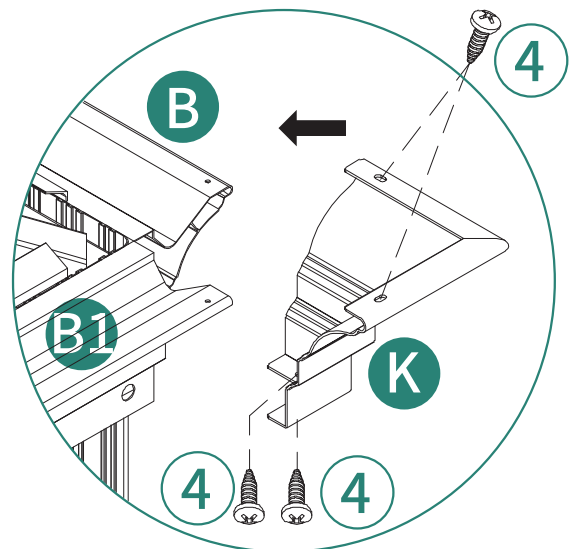
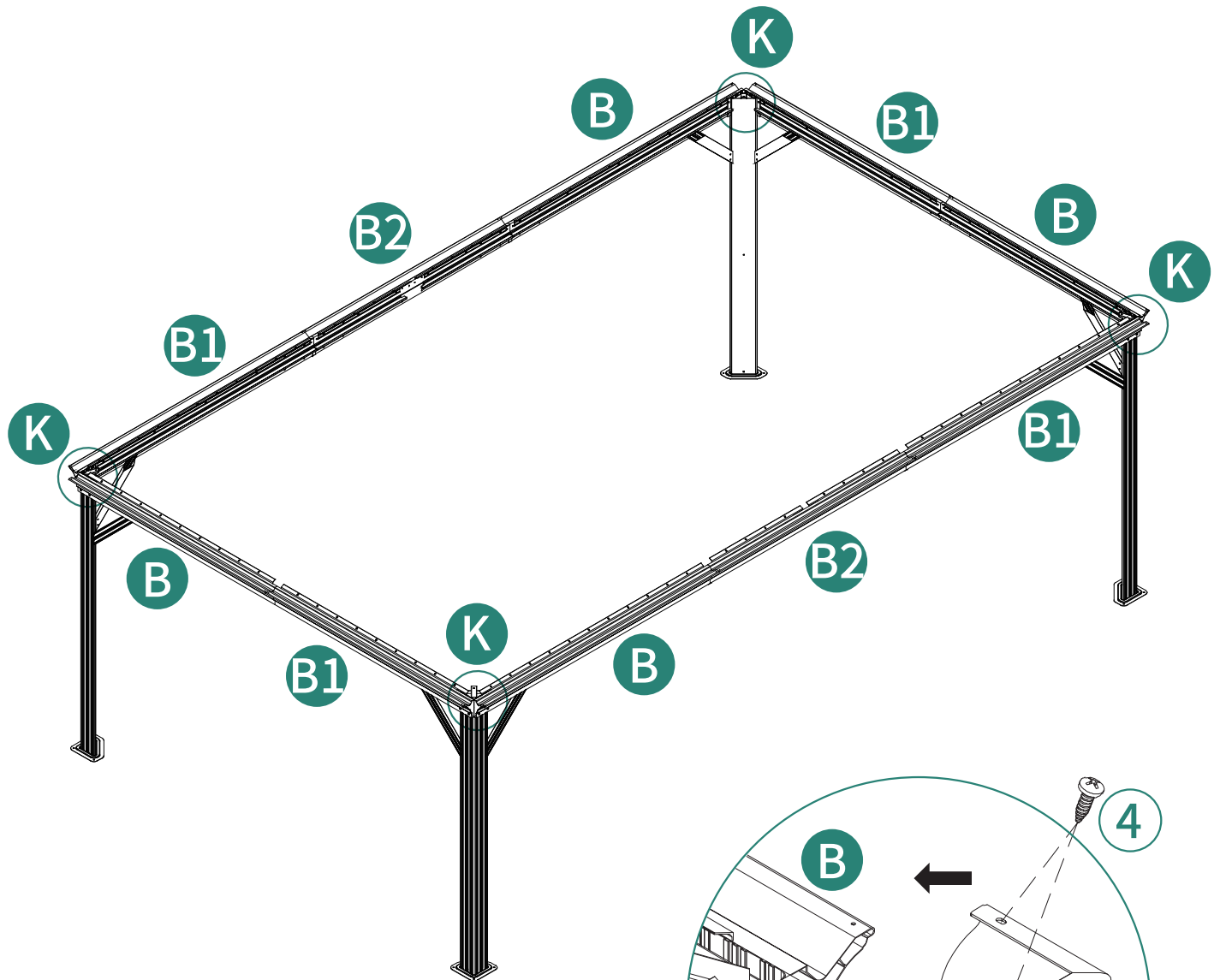
10




Ⓚ4pcs

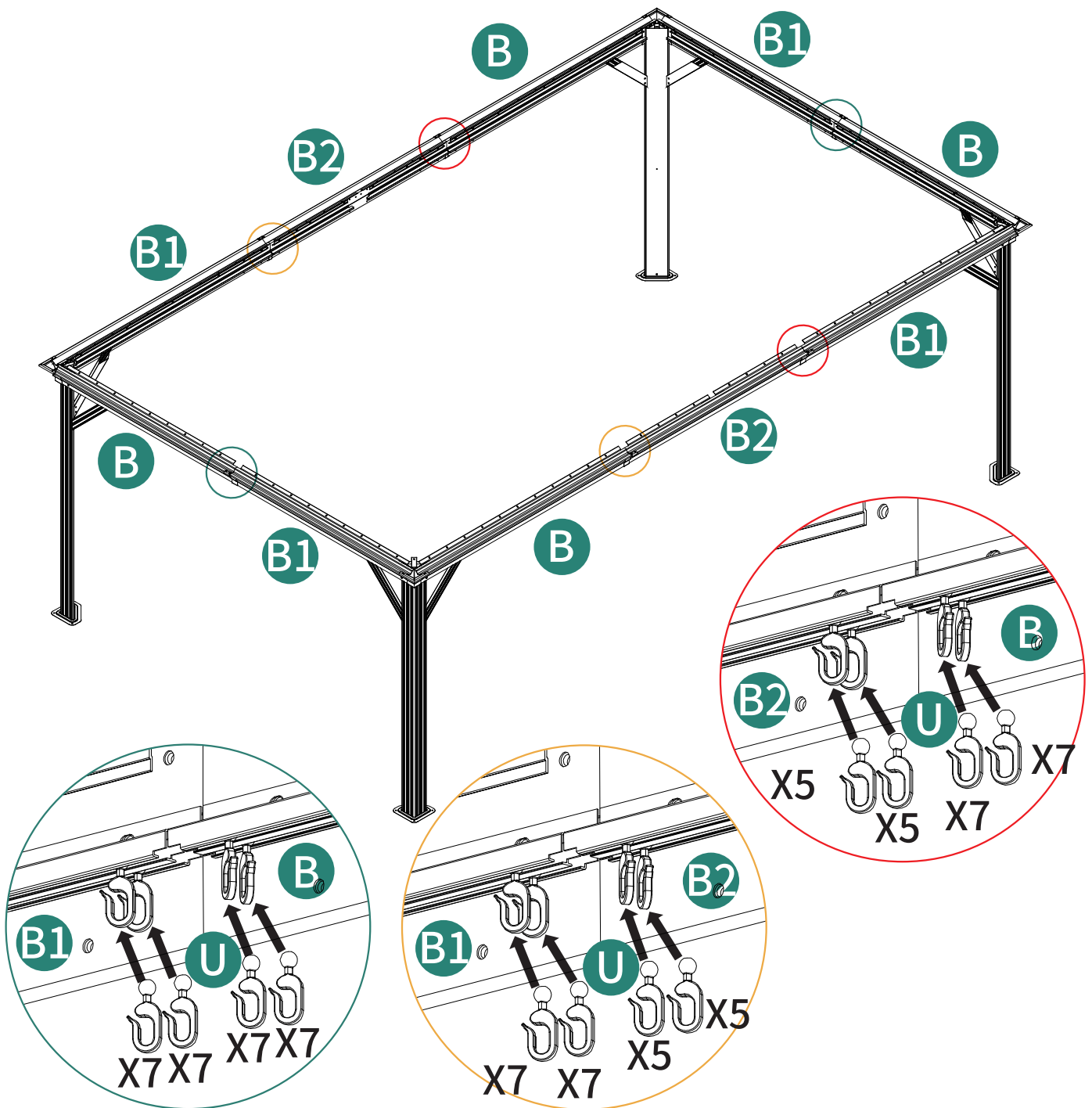


④16pcs



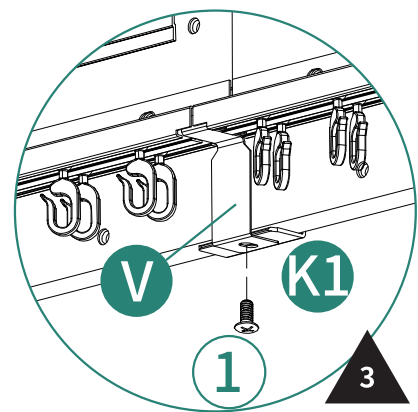
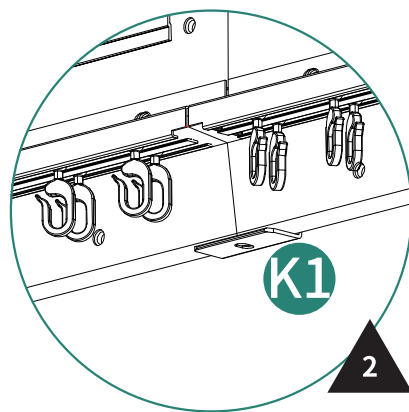
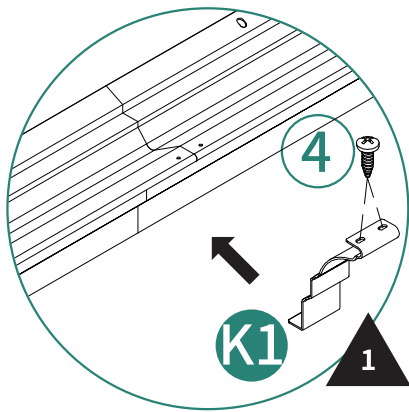
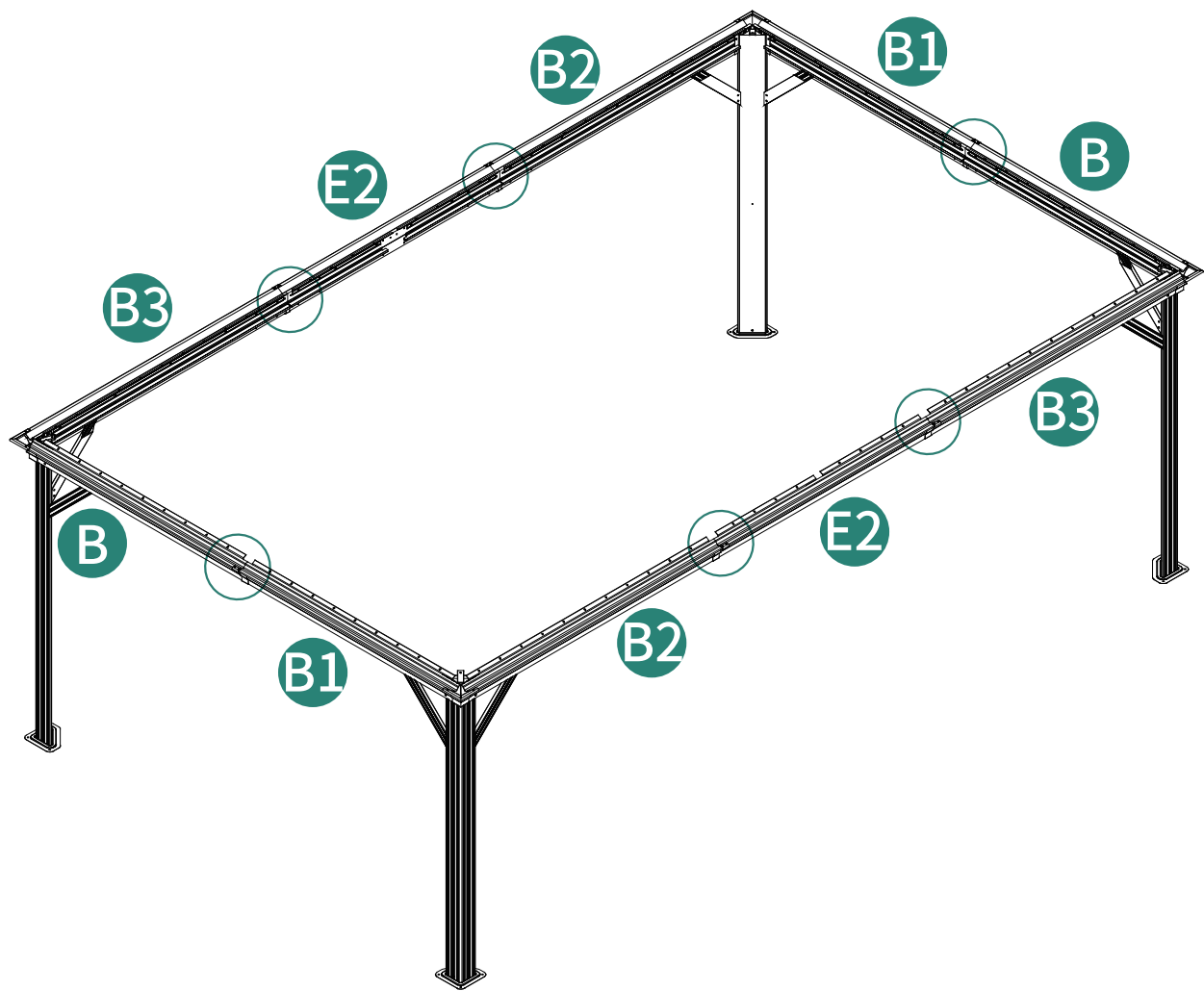
**11**  **U152pcs**

When sliding 8 x hook U onto each rail of parts B & B1 & B2, they should face inward. The same for sliding 7 x hook U on rails of parts B and B1.



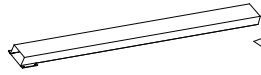
# 12

-  K1 6pcs
-  V 6pcs
-  1 6pcs
-  4 12pcs

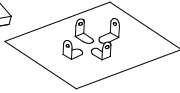


**13**

**X2**



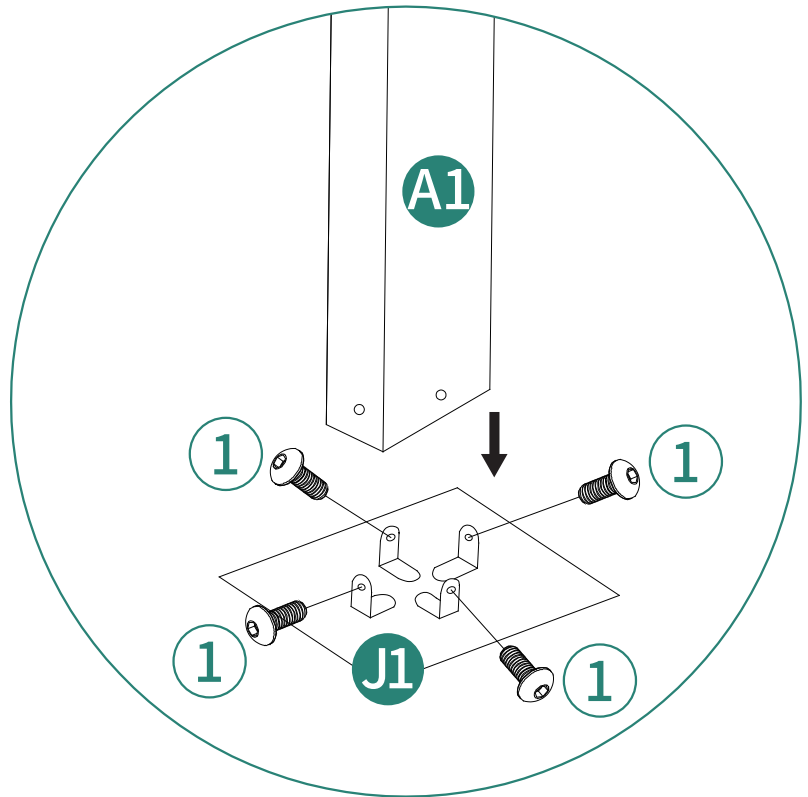
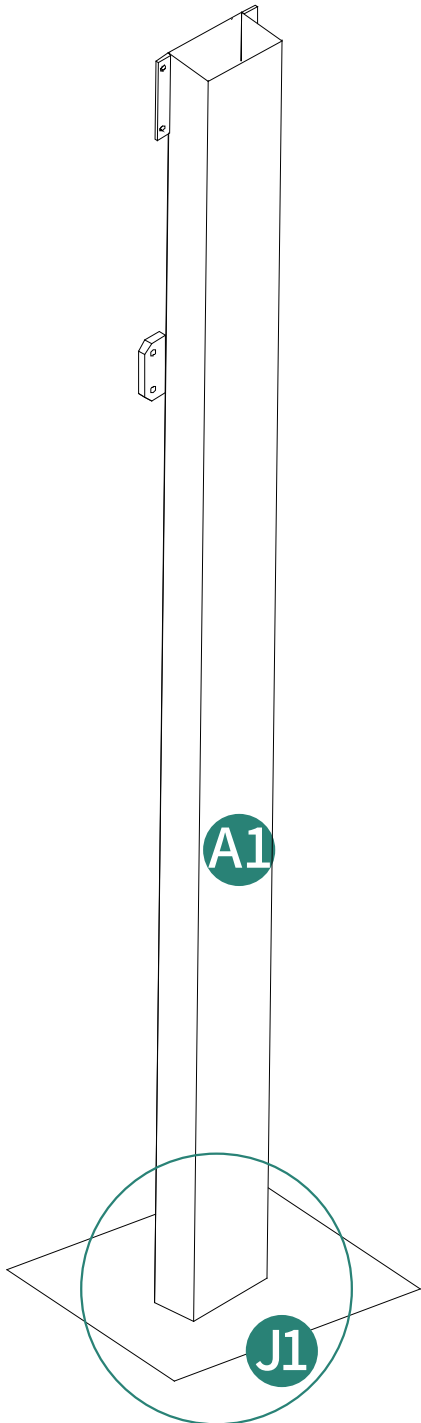
Ⓐ1 2pcs



ⓙ1 2pcs



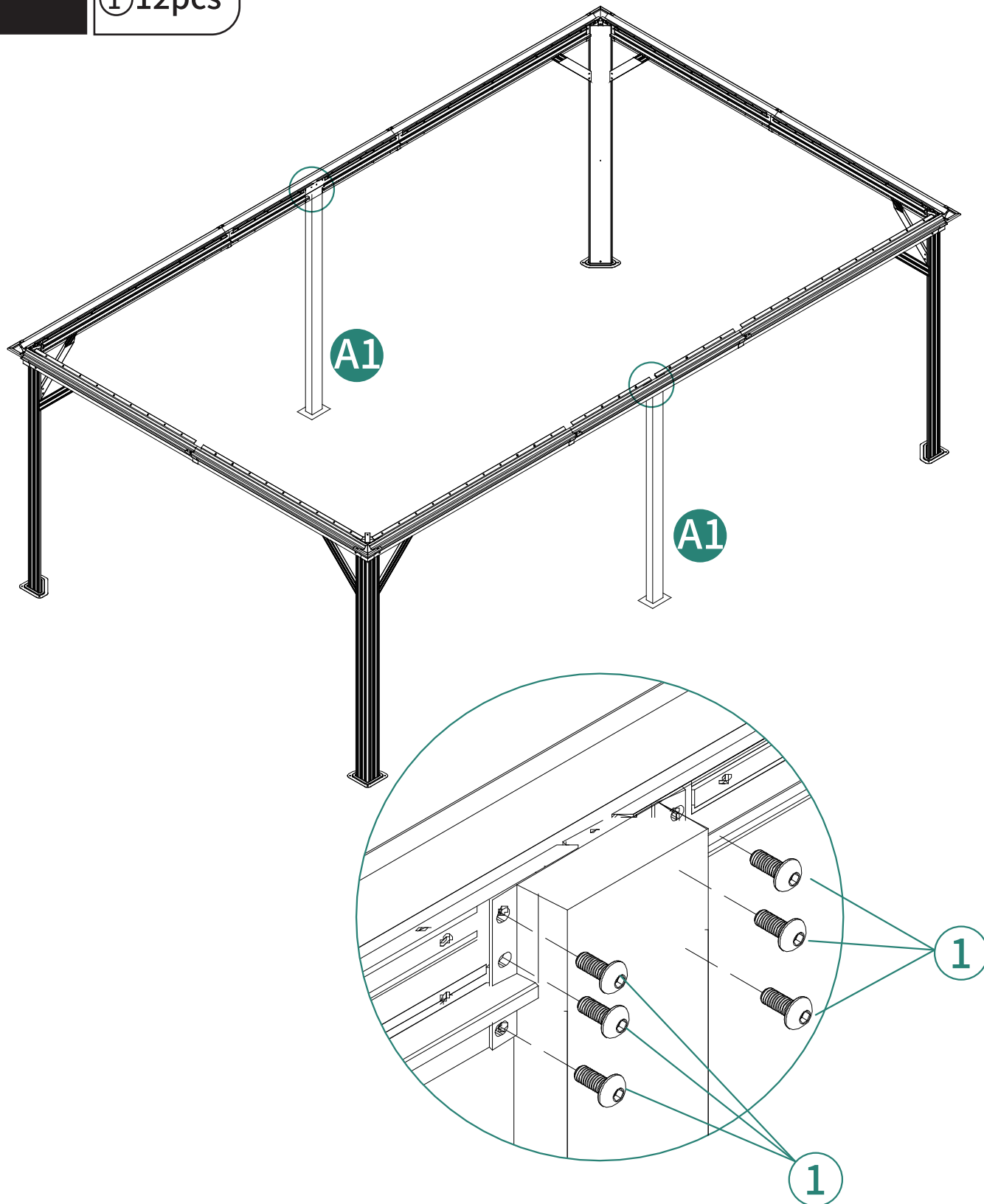
① 8pcs



14

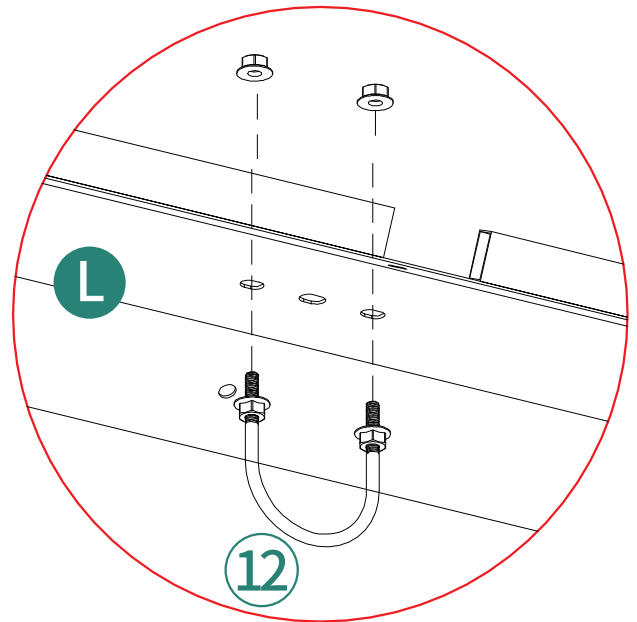
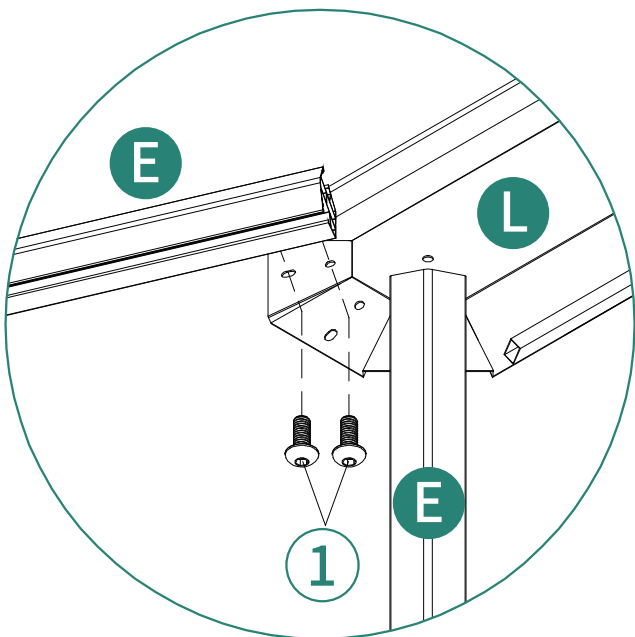
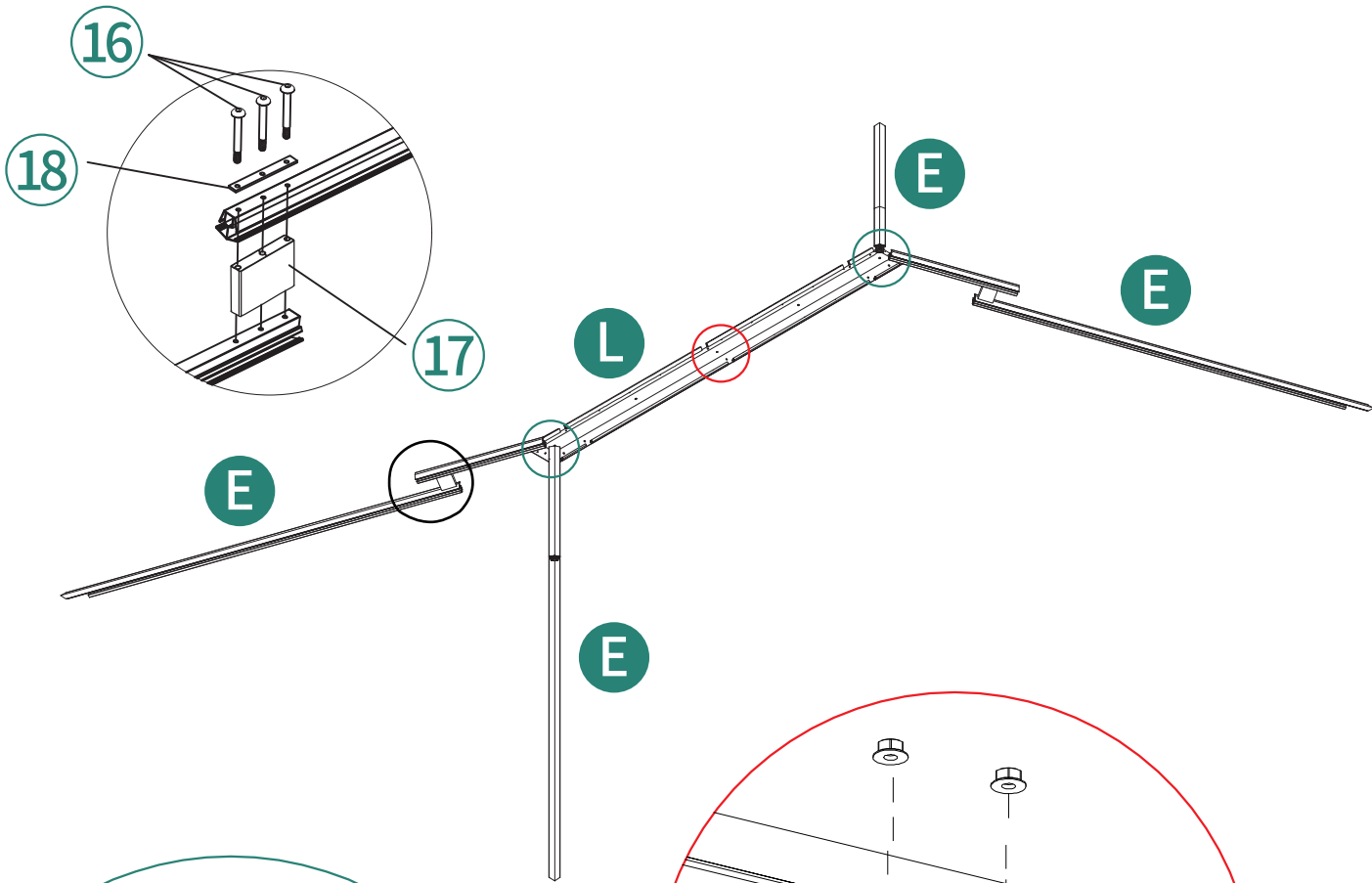


① 12pcs




# 15

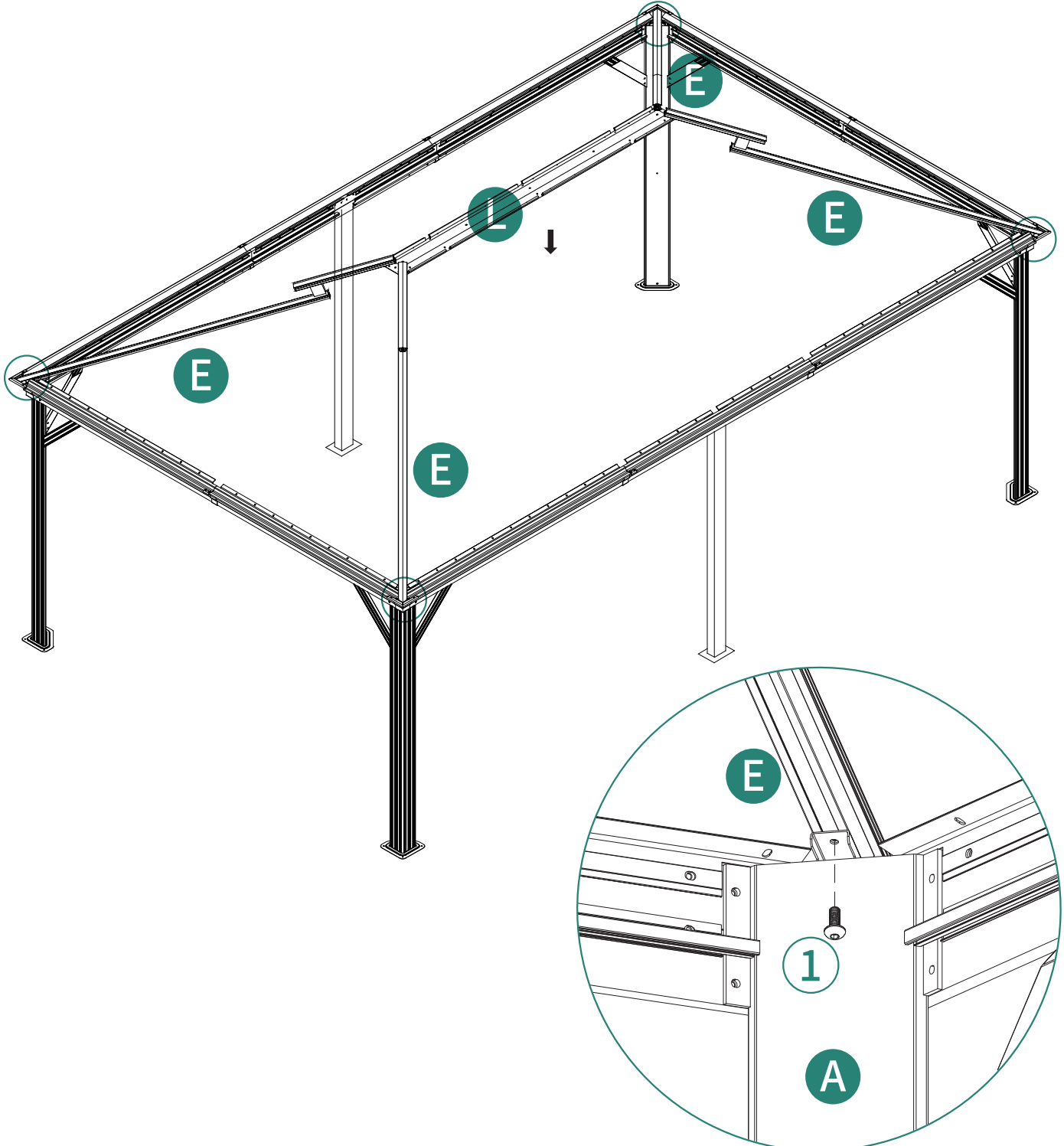
- Ea** 4pcs
- Eb** 4pcs
- L** 1pc
- 1** 8pcs
- 12** 1pc
- 16** 12pcs
- 17** 4pcs
- 18** 4pcs



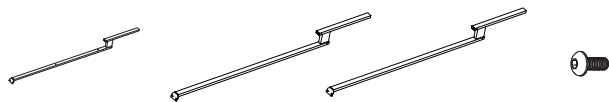
**16**



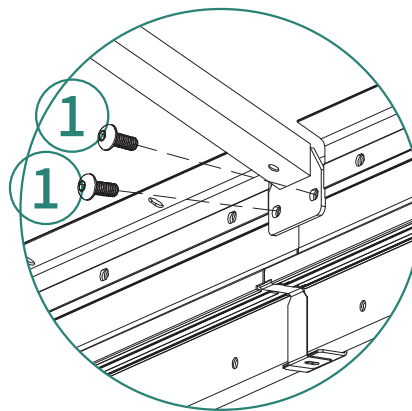
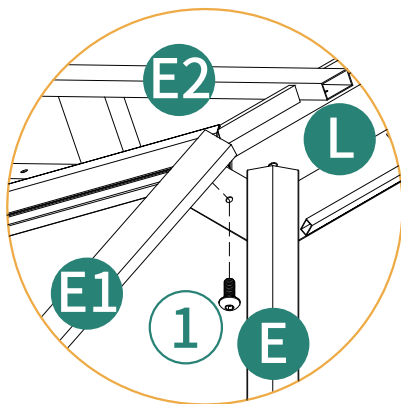
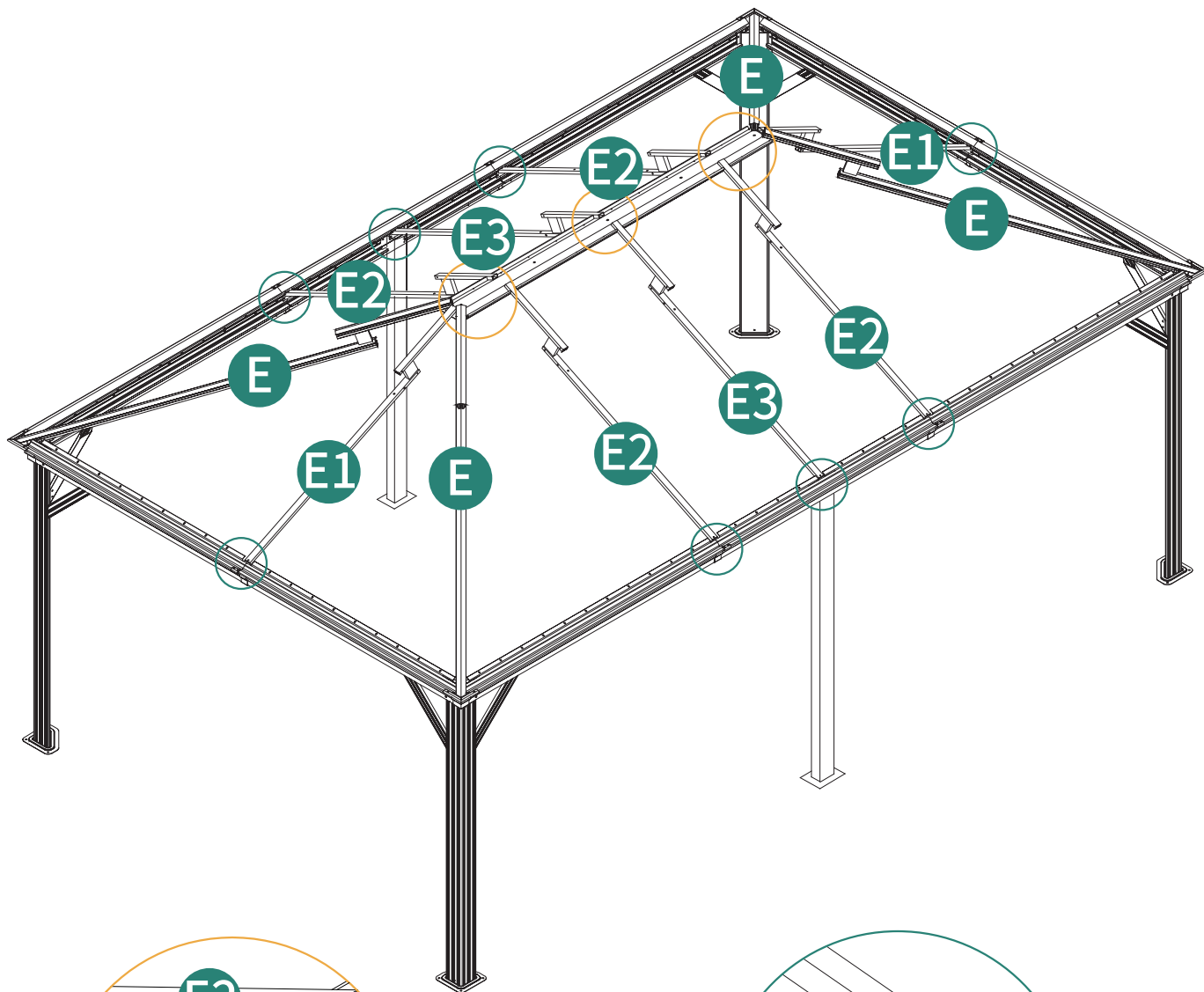
① 4pcs



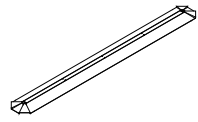
# 17



ⓔ1 2pcs ⓔ2 4pcs ⓔ3 2pcs ① 24pcs



# 18



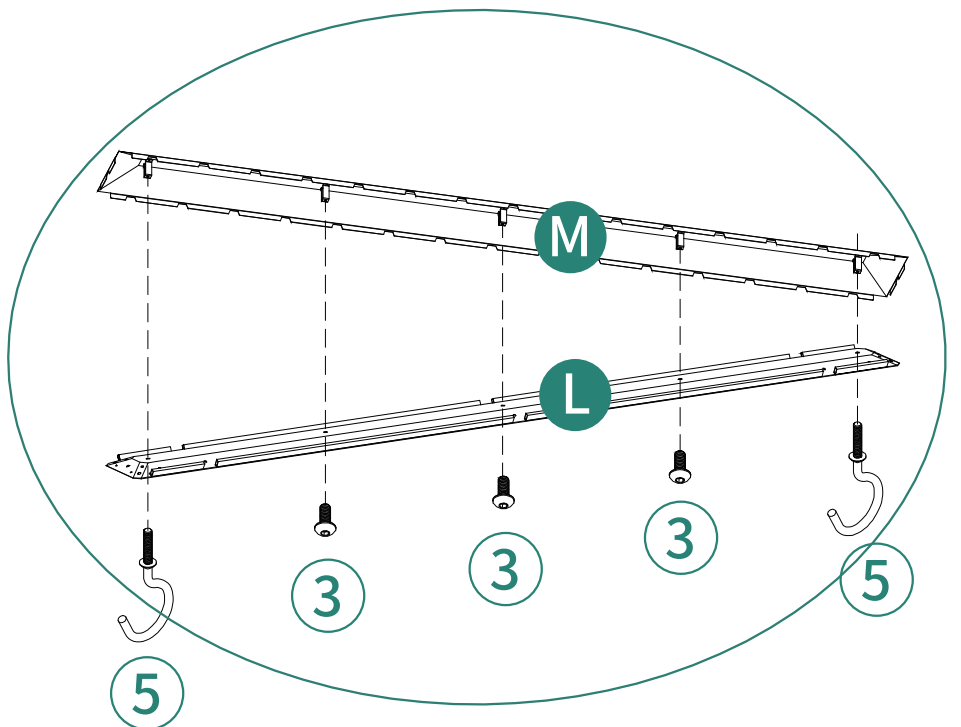
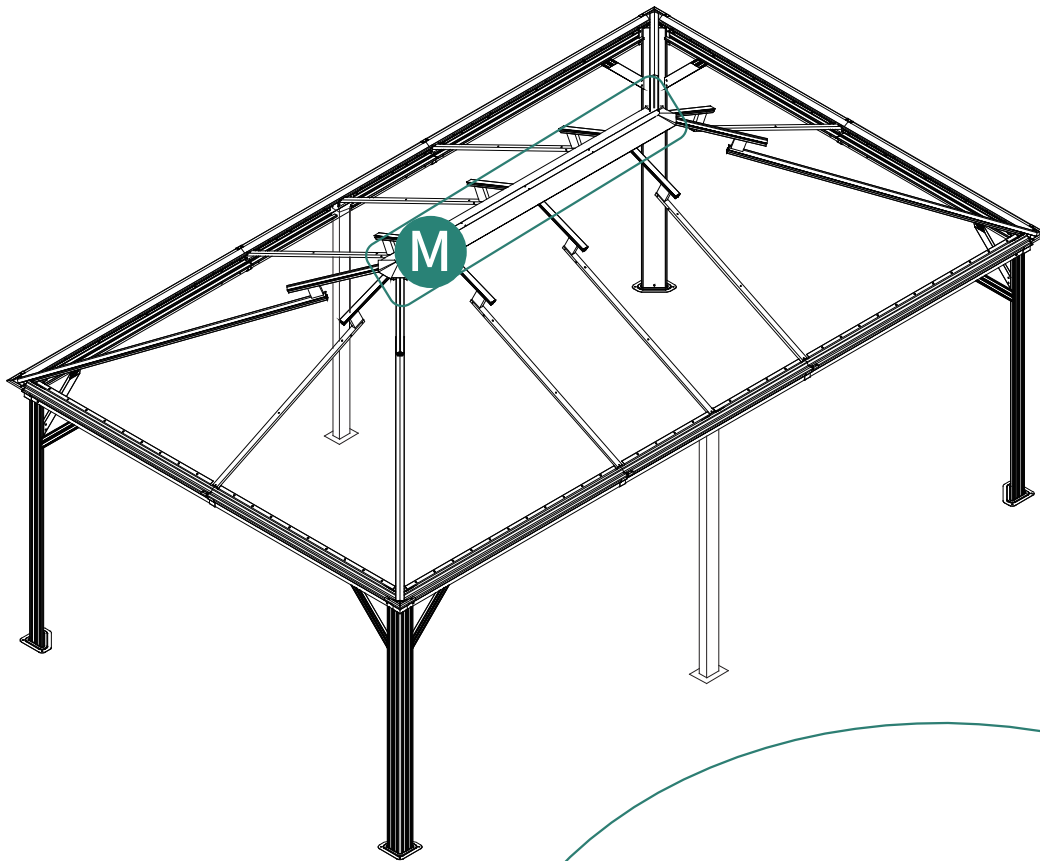
Ⓜ 1pc



③ 3pcs



⑤ 2pcs

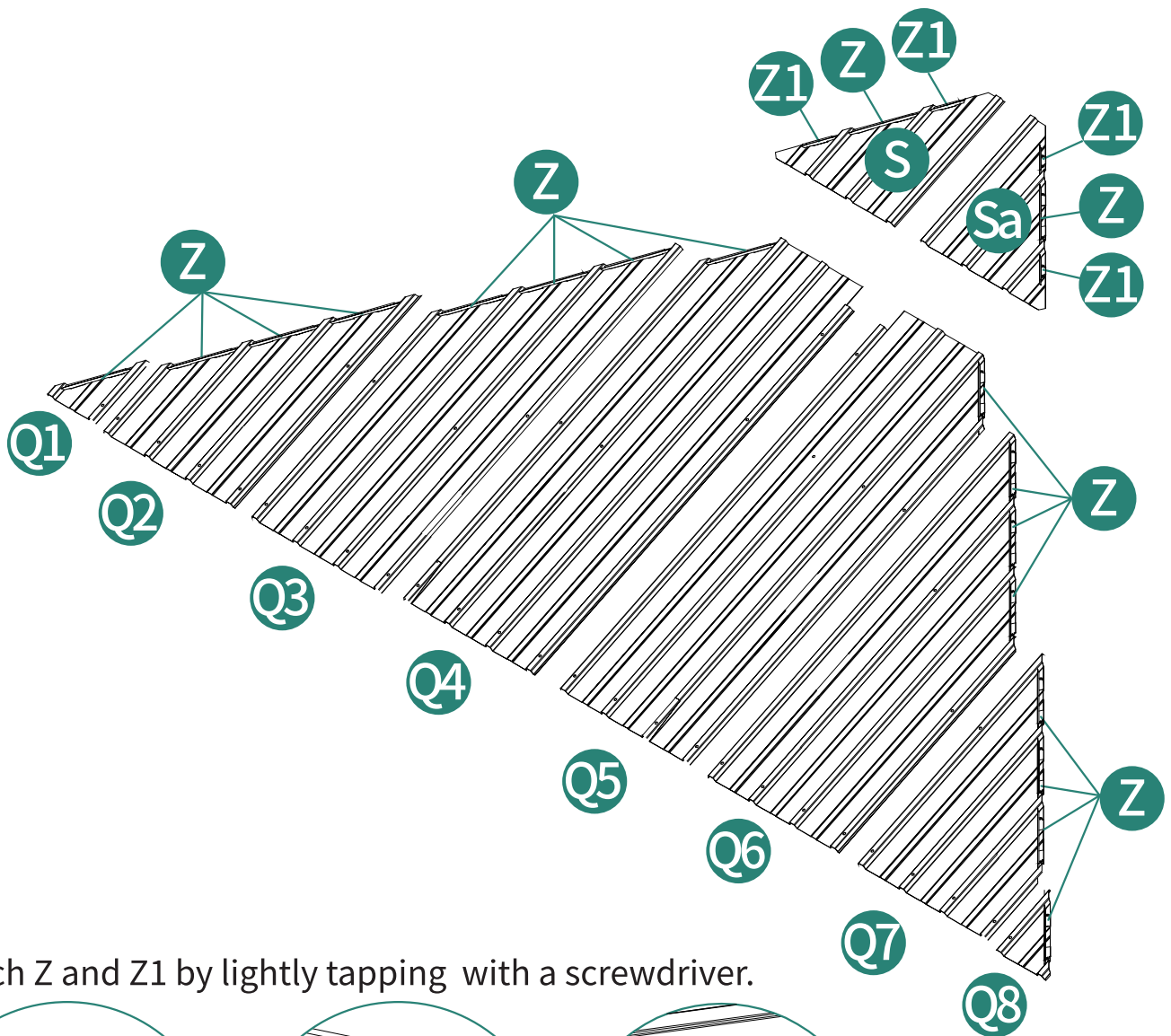




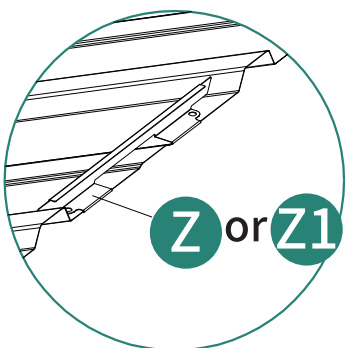
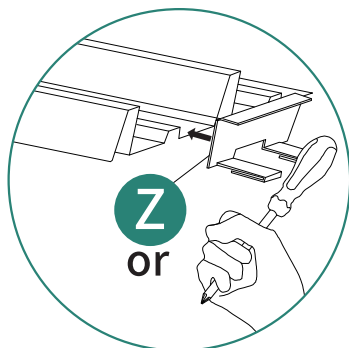
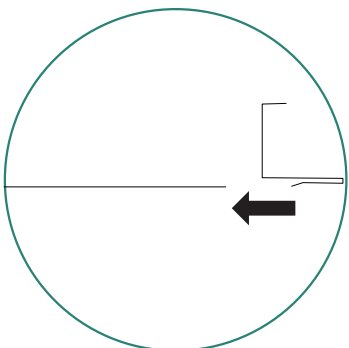
20

X2

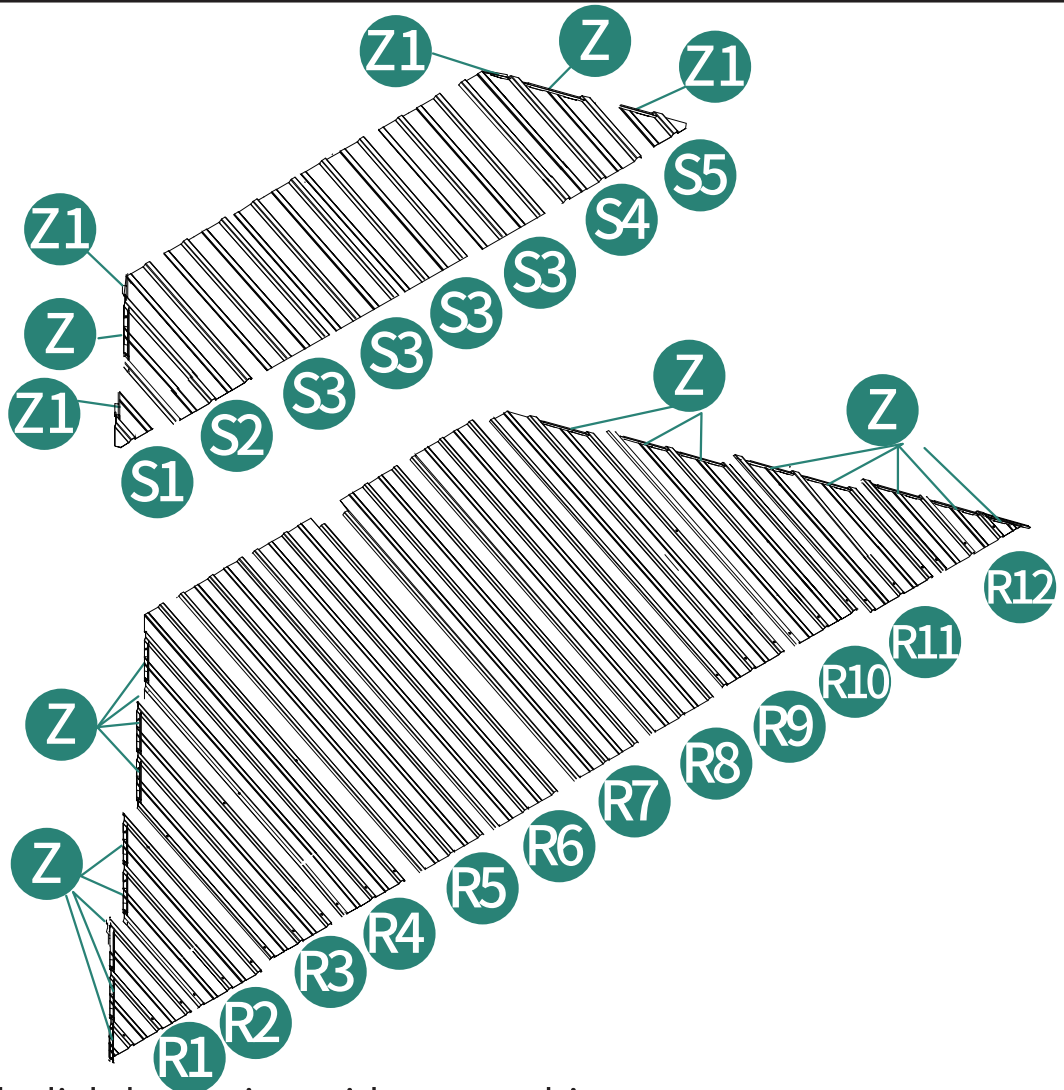
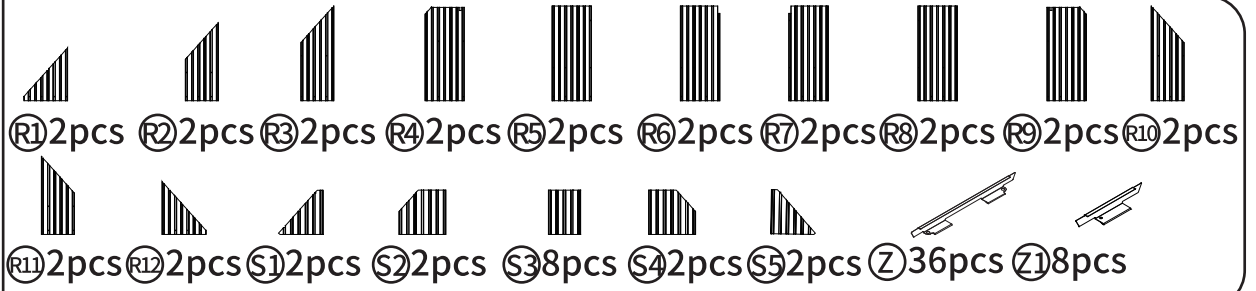
- Q1 2pcs
- Q2 2pcs
- Q3 2pcs
- Q4 2pcs
- Q5 2pcs
- Q6 2pcs
- Q7 2pcs
- Q8 2pcs
- S 2pcs
- Sa 2pcs
- Z 36pcs
- Z1 18pcs



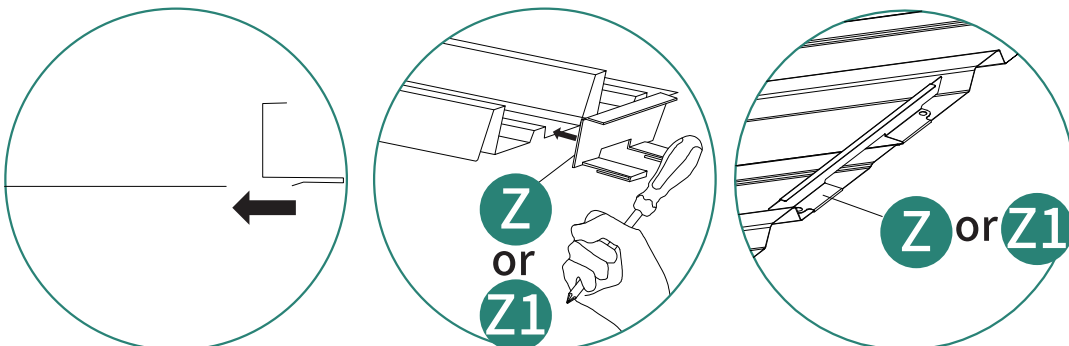
Attach Z and Z1 by lightly tapping with a screwdriver.



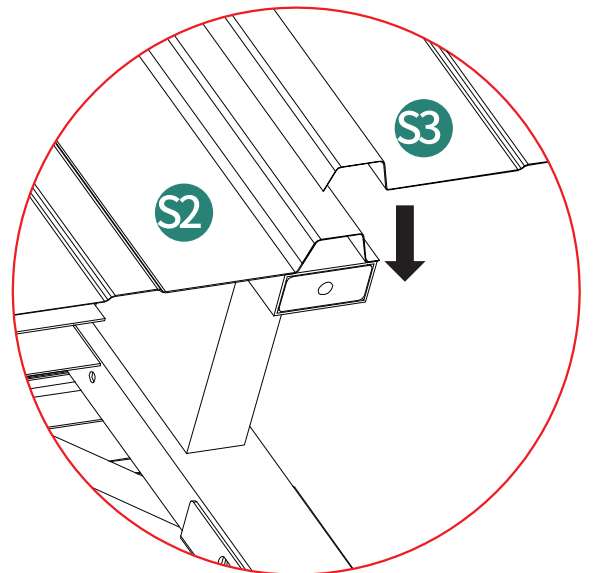
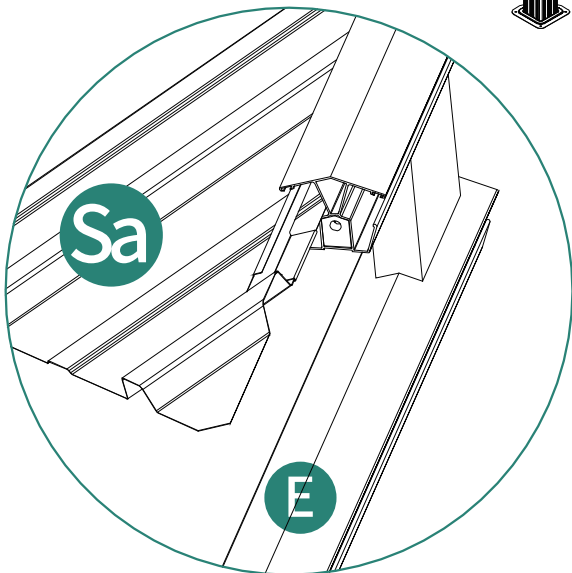
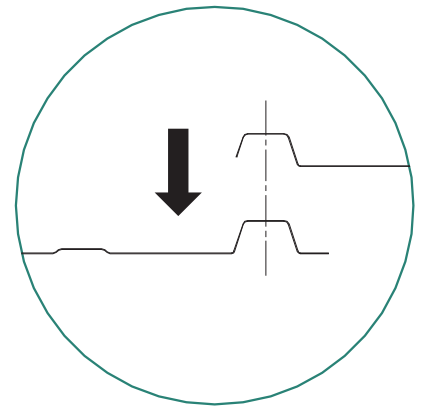
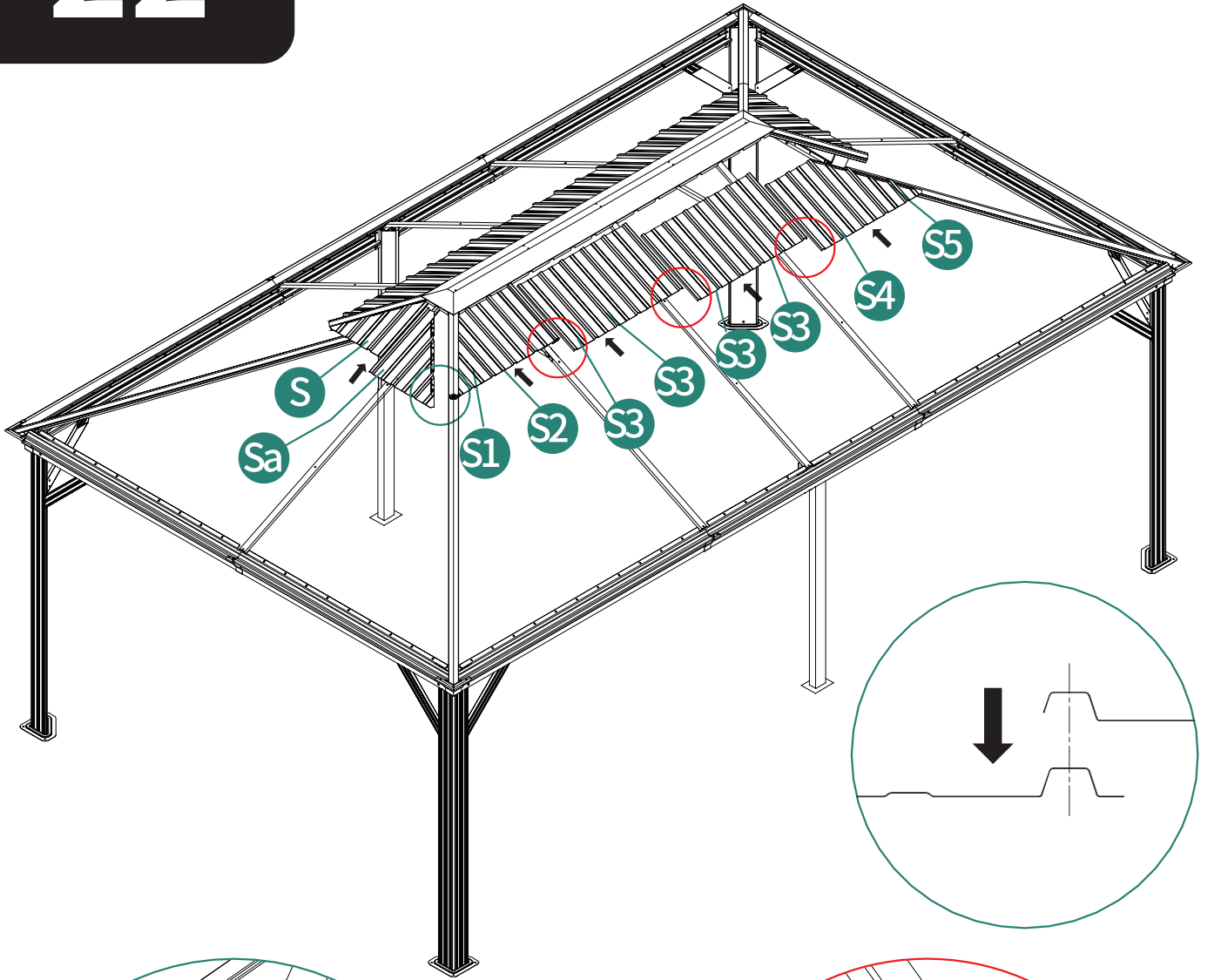
**21**  
**X2**





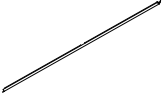



Attach Z and Z1 by lightly tapping with a screwdriver.

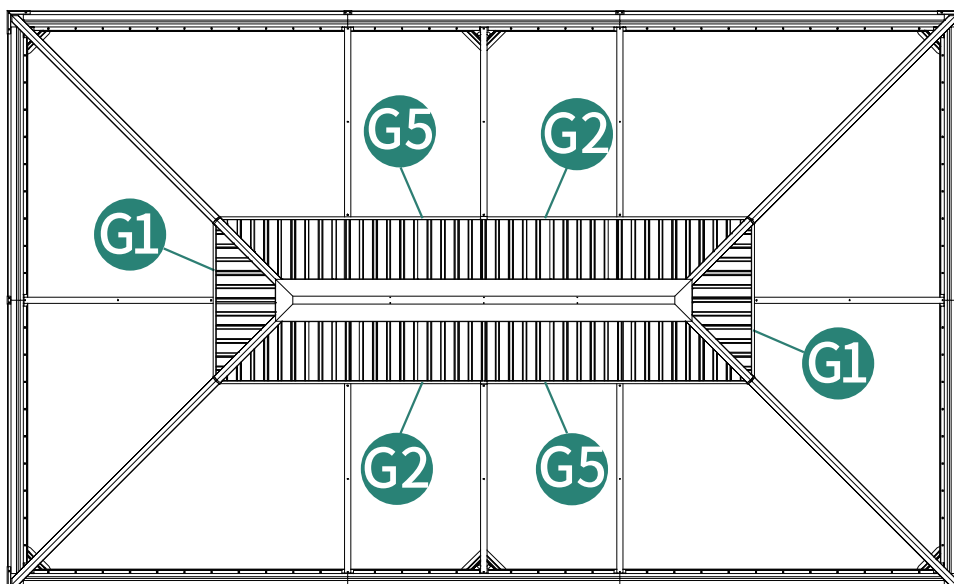
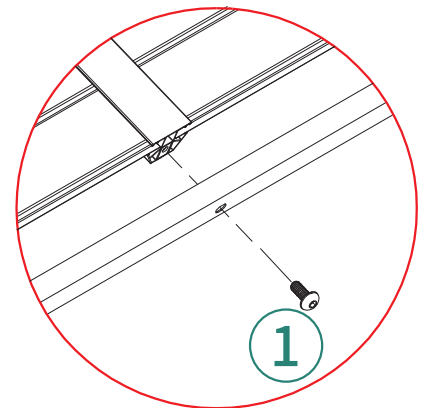
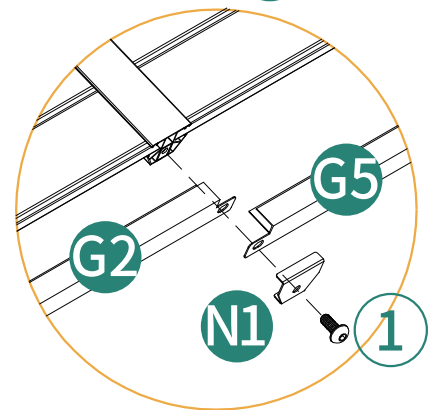
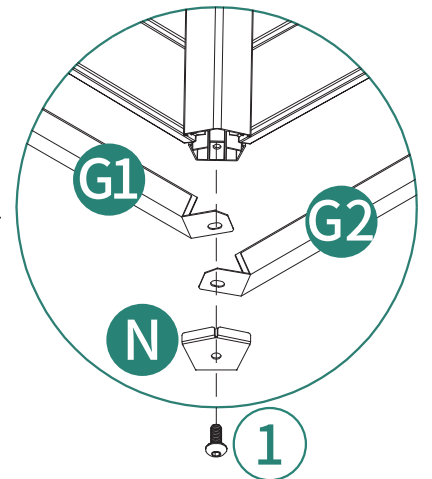
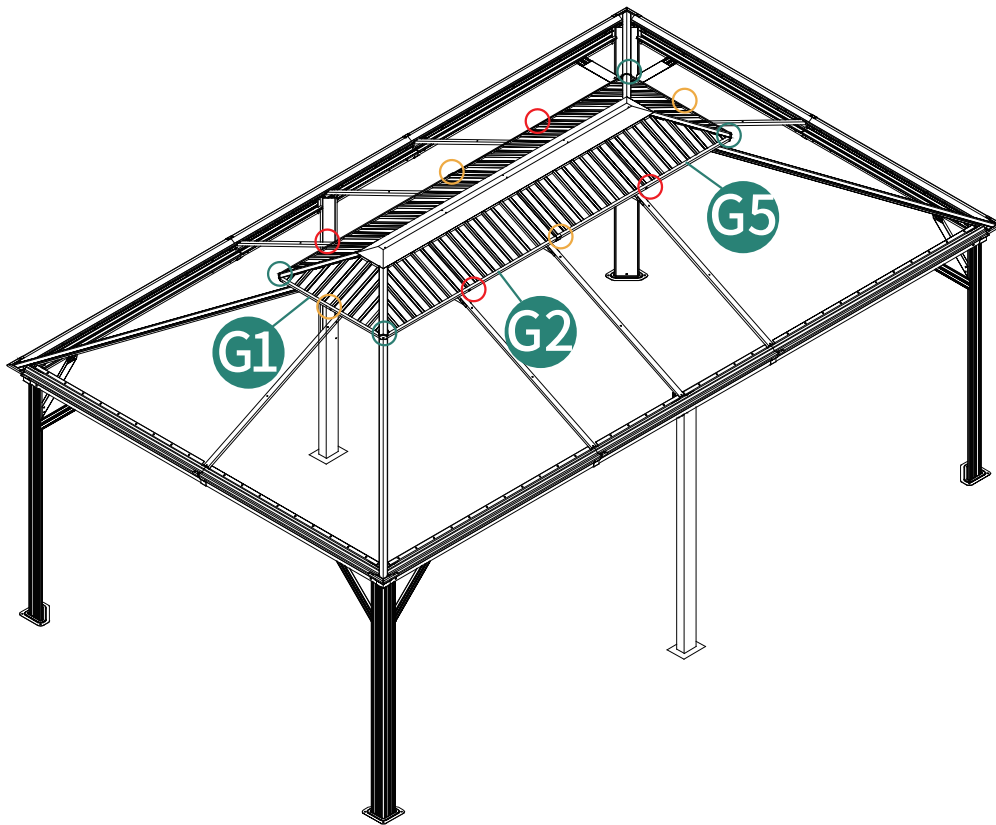


22

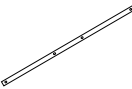
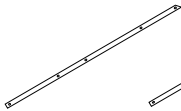
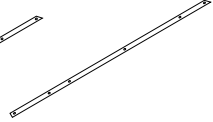
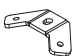
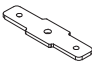



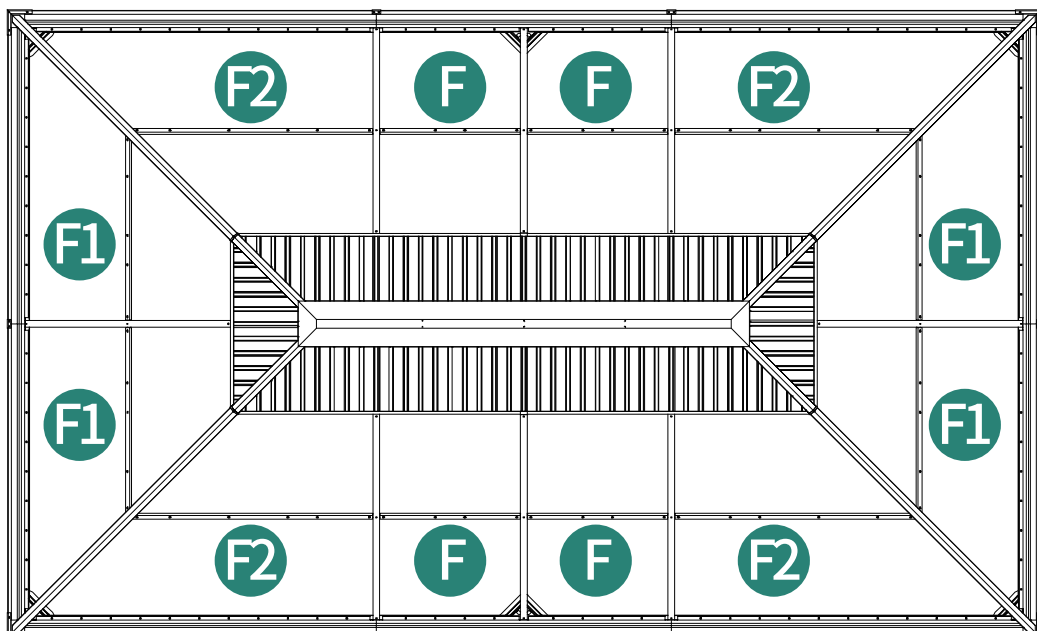
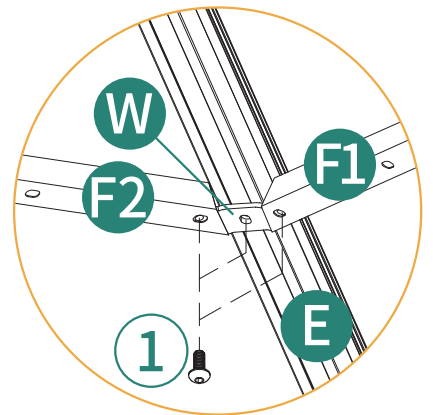
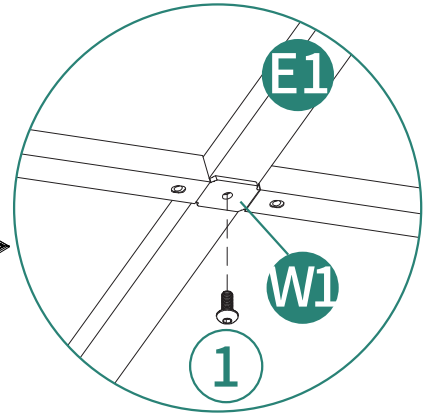
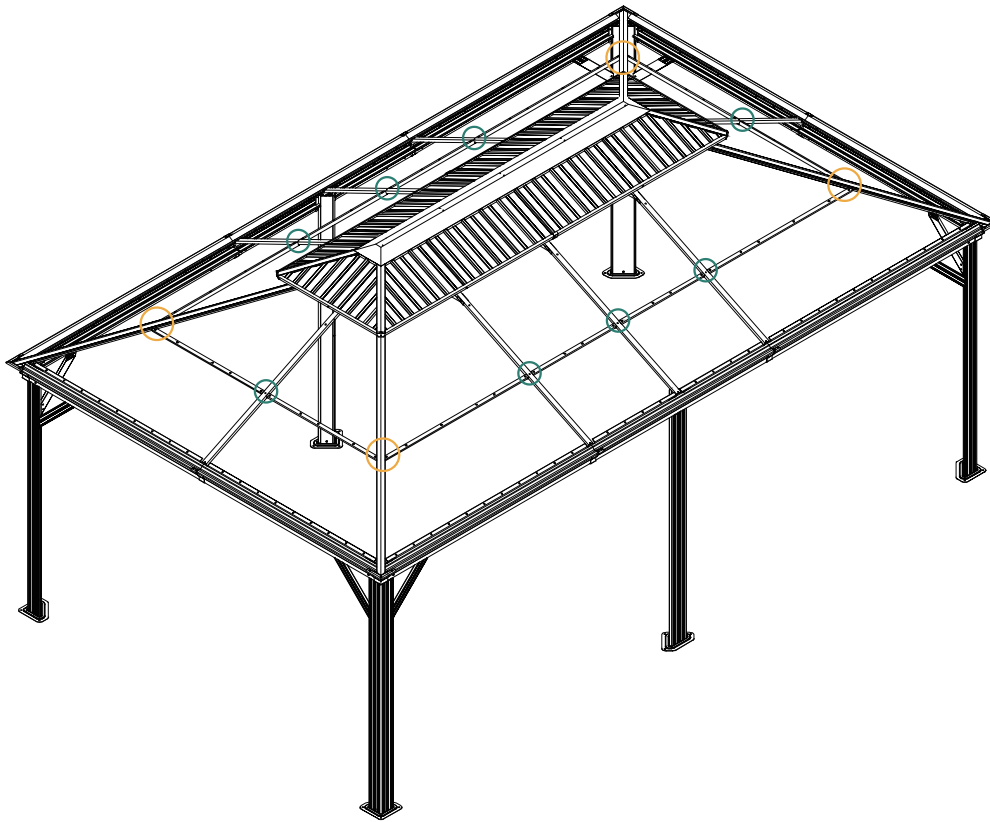
# 23

-  G1 2pcs
-  G2 2pcs
-  G5 2pcs
-  N 4pcs
-  N1 2pcs
-  1 12pcs



# 24

-  (F) 4pcs
-  (F1) 4pcs
-  (F2) 4pcs
-  (W) 4pcs
-  (W1) 8pcs
-  (1) 36pcs



25



V1 2pcs



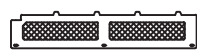
V2 2pcs



V3 2pcs



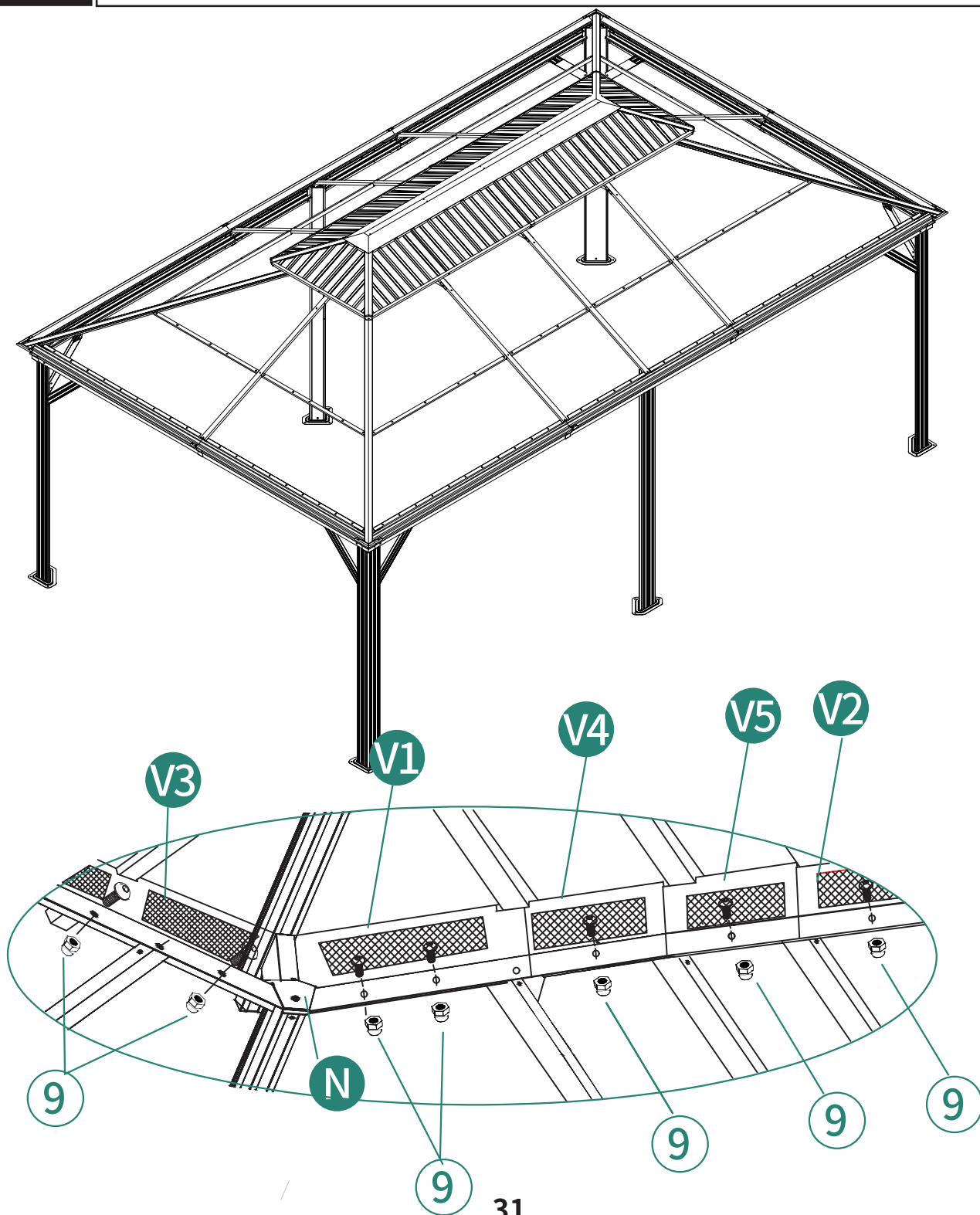
V4 2pcs



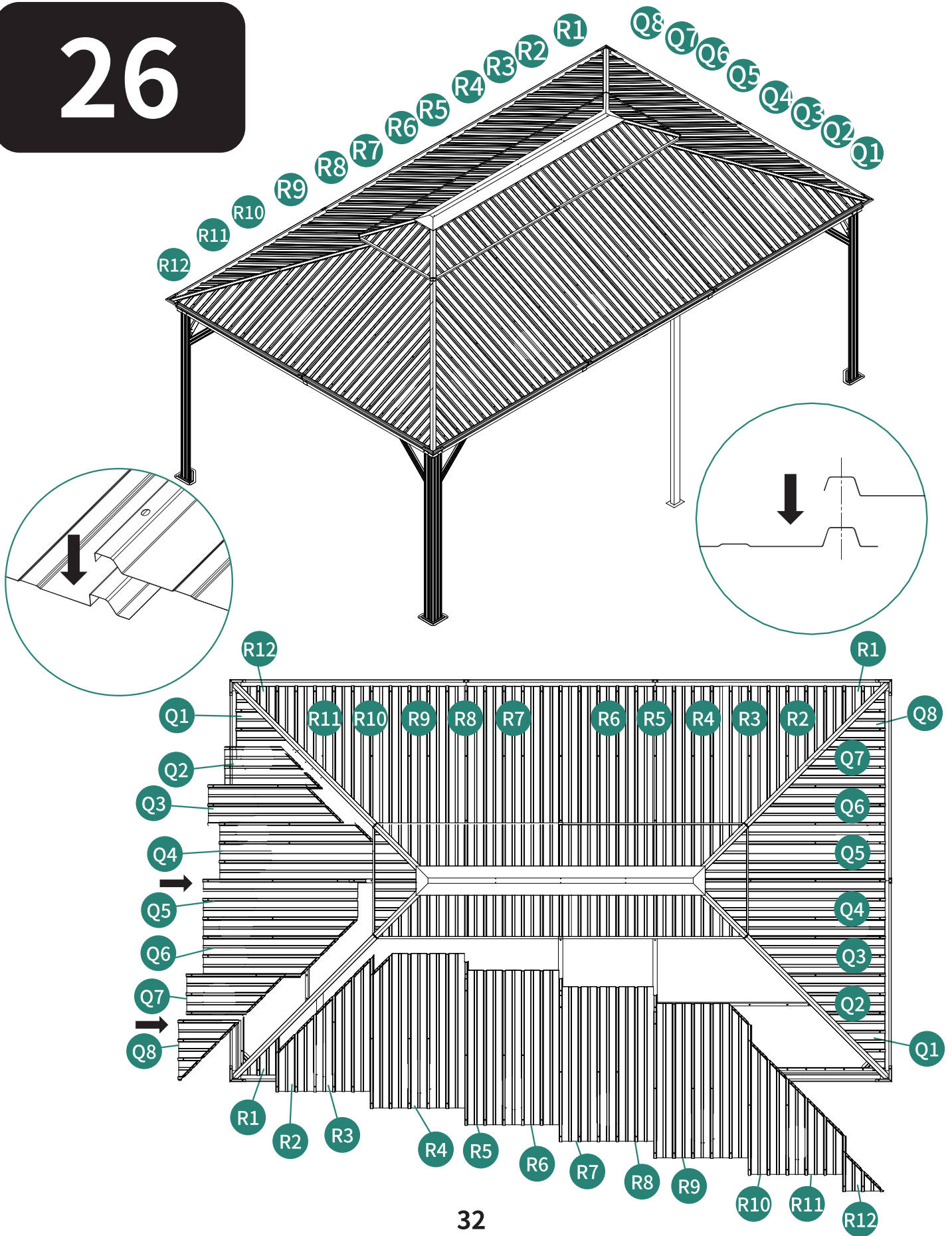
V5 2pcs



9 16pcs

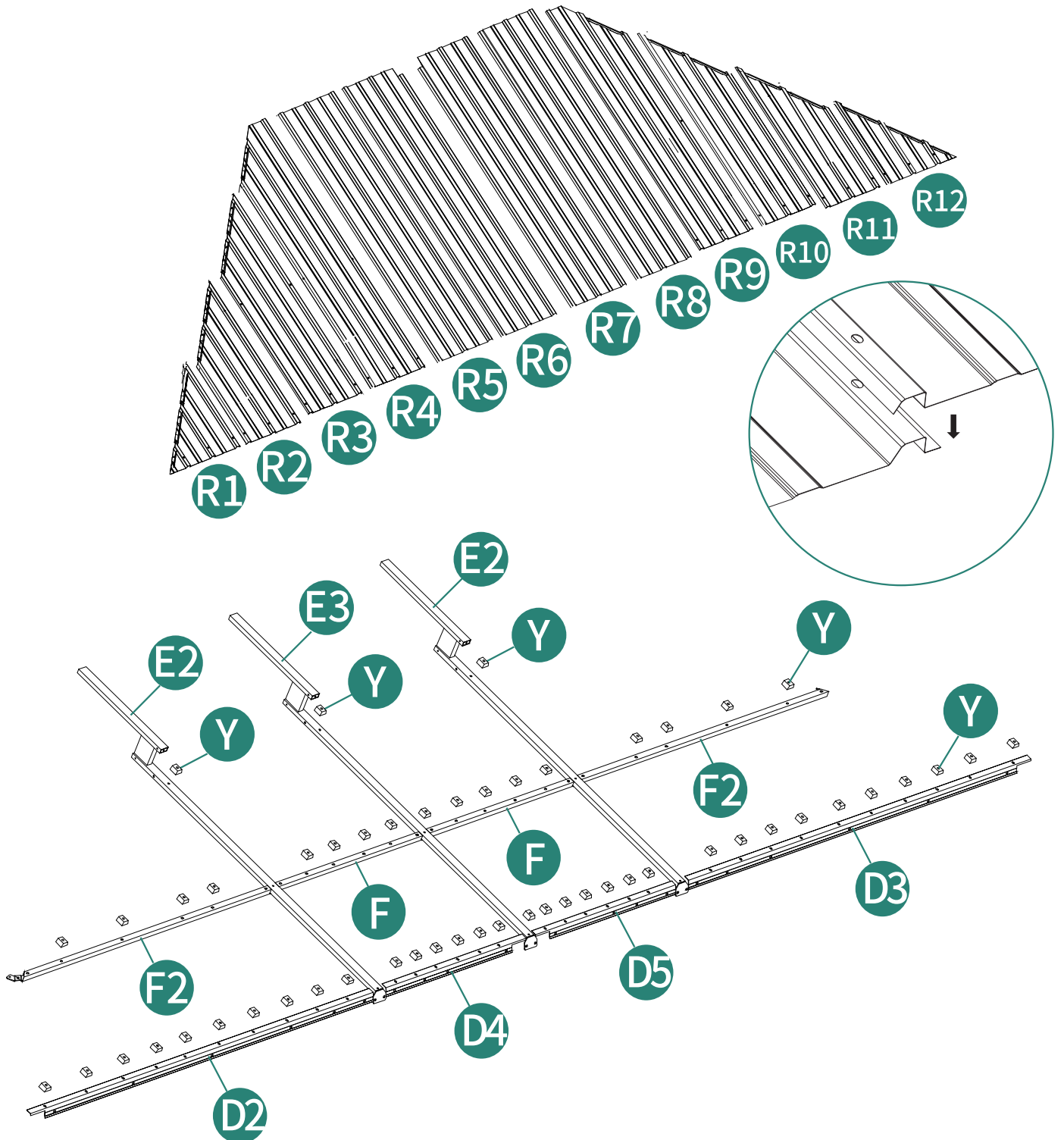


26



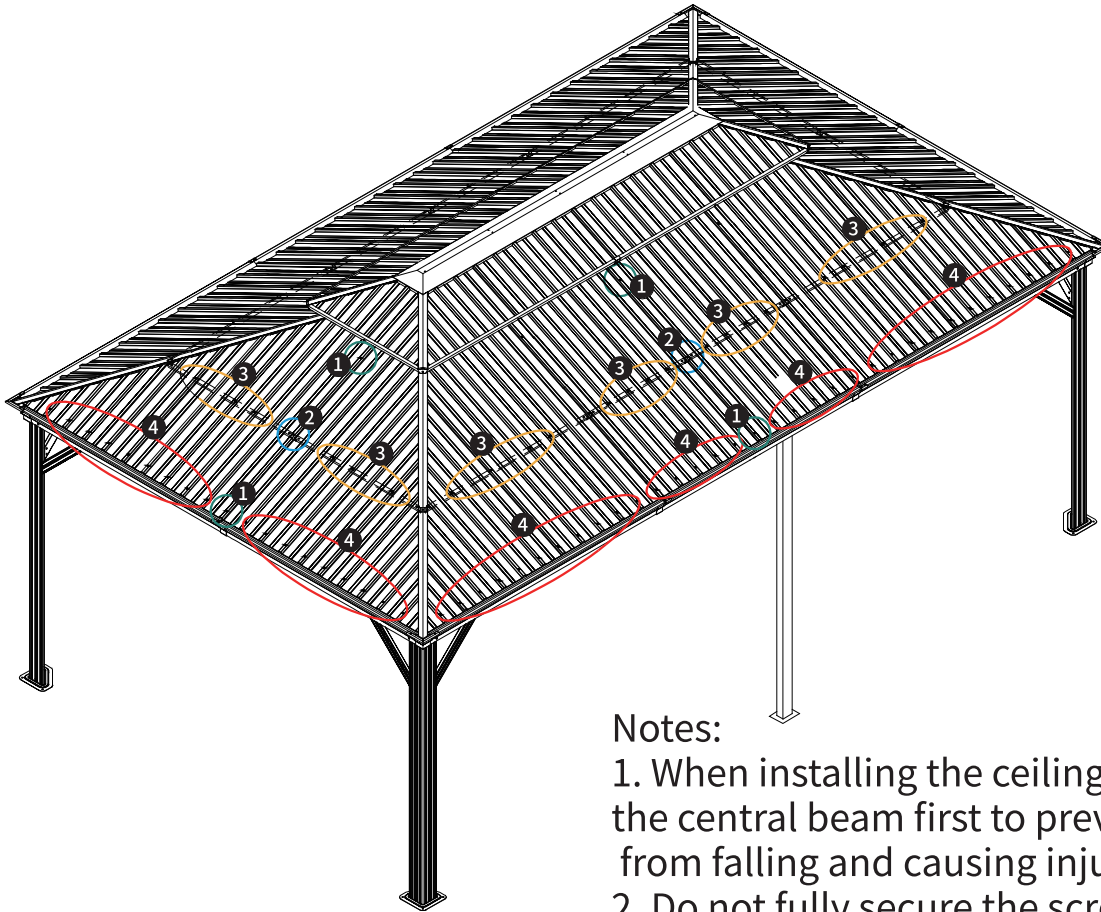


# 28



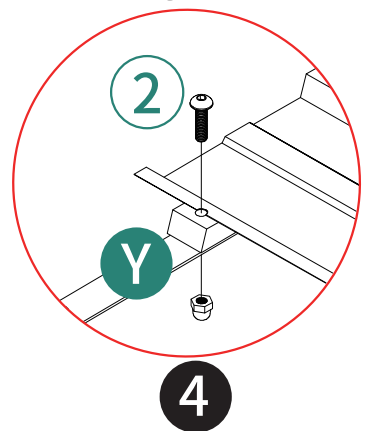
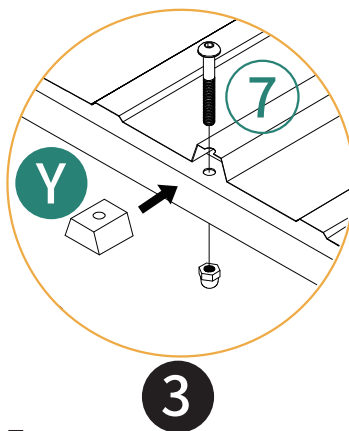
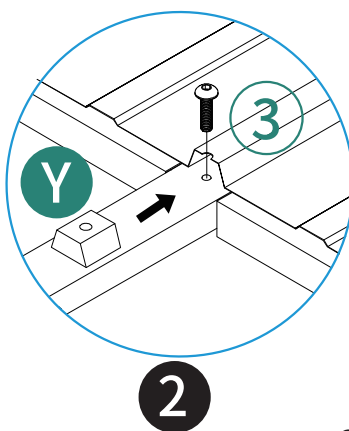
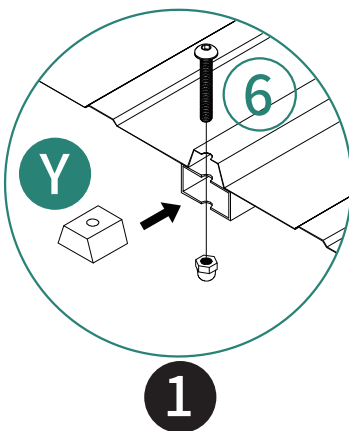
# 29

-   
 ① 160pcs
-   
 ② 100pcs
-   
 ③ 4pcs
-   
 ⑥ 8pcs
-   
 ⑦ 48pcs



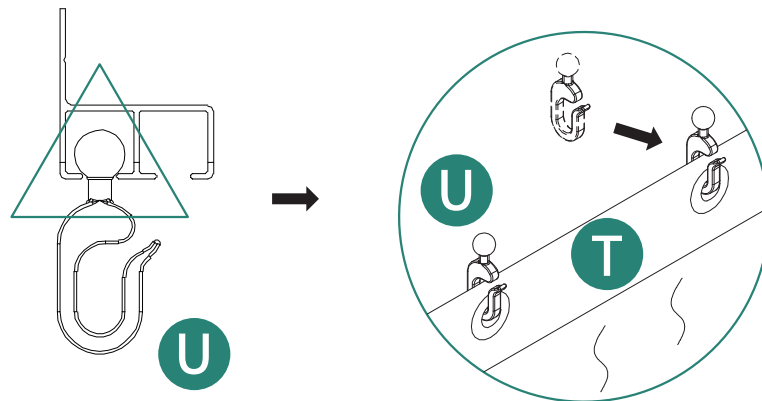
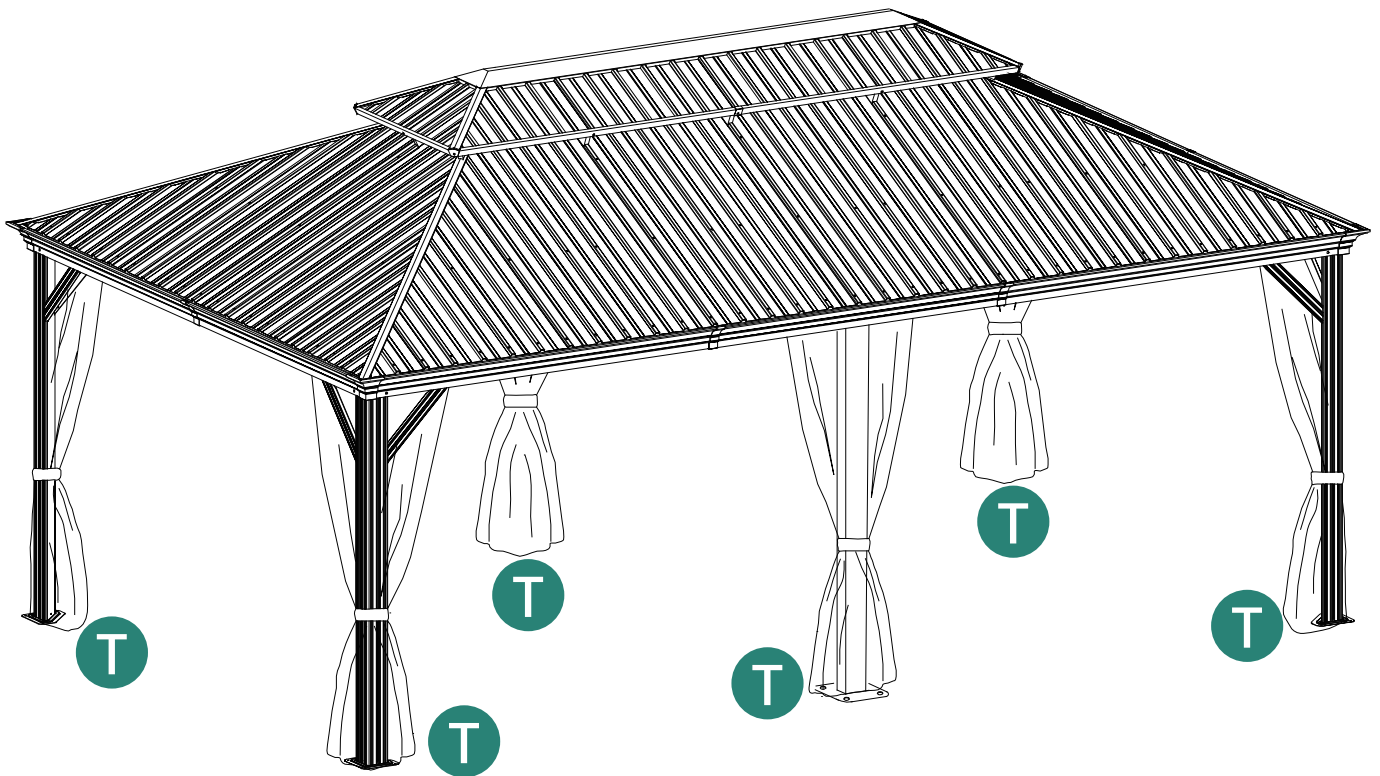
**Notes:**

1. When installing the ceiling, fix the screws on the central beam first to prevent the iron sheet from falling and causing injury.
2. Do not fully secure the screw until all screws are properly in position.
3. Two persons are needed when installing Part Y. One should secure Part Y's position from inside the gazebo, while the other inserts screws into Part Y from outside the gazebo.



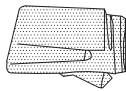


# 31

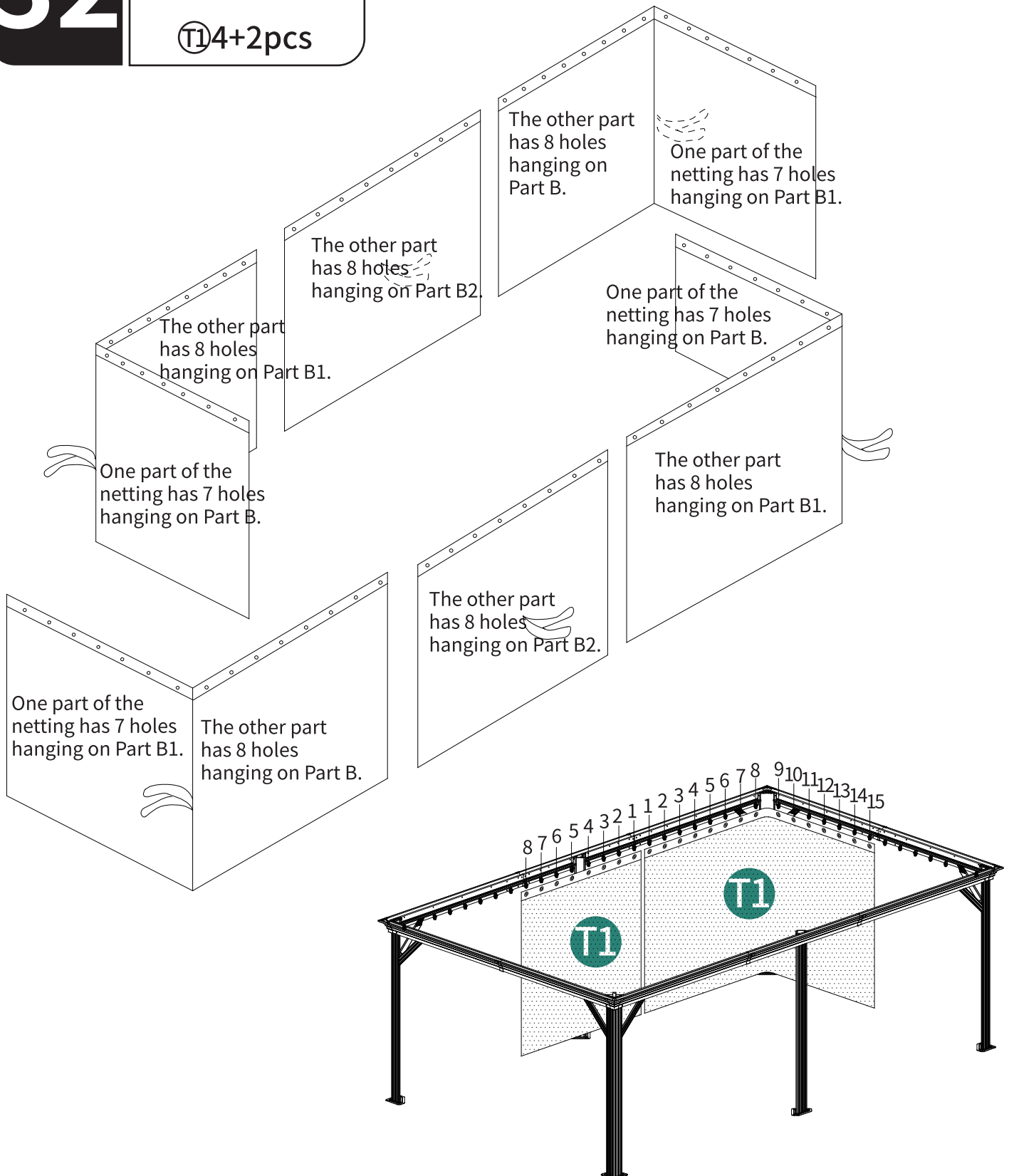


Pay attention to the sidewall curtain's installation position.

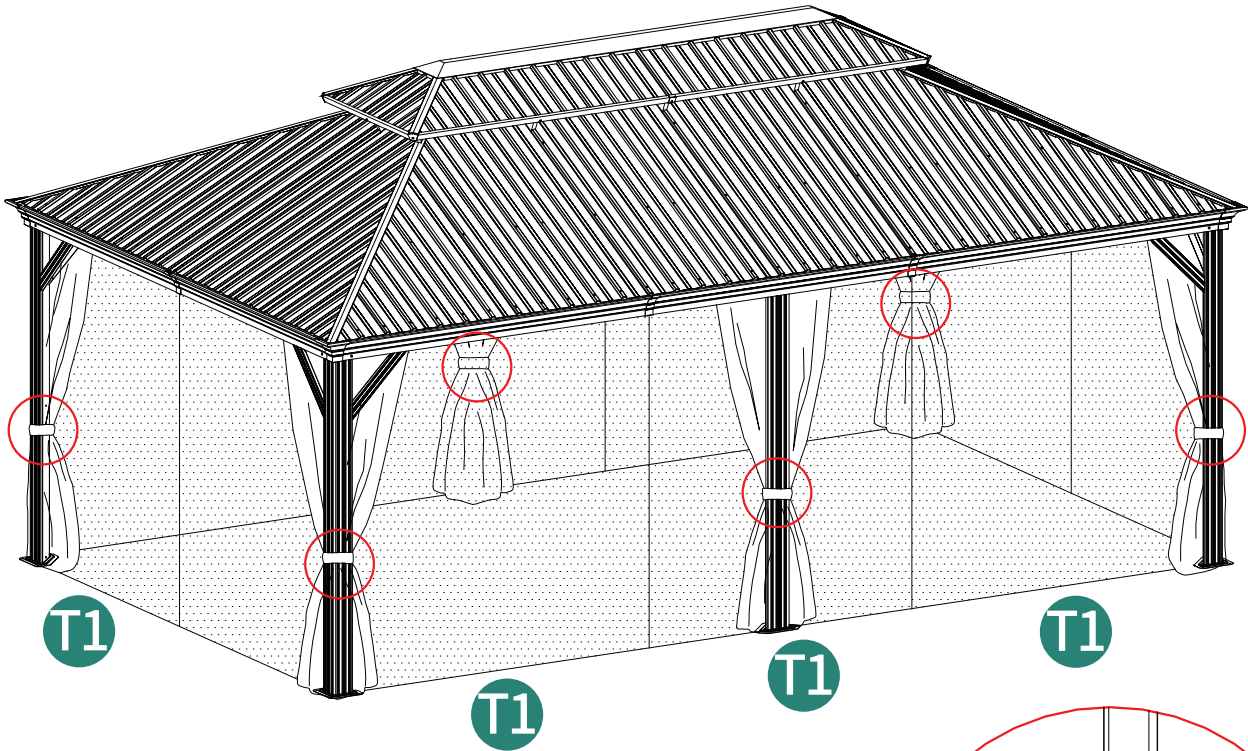
# 32



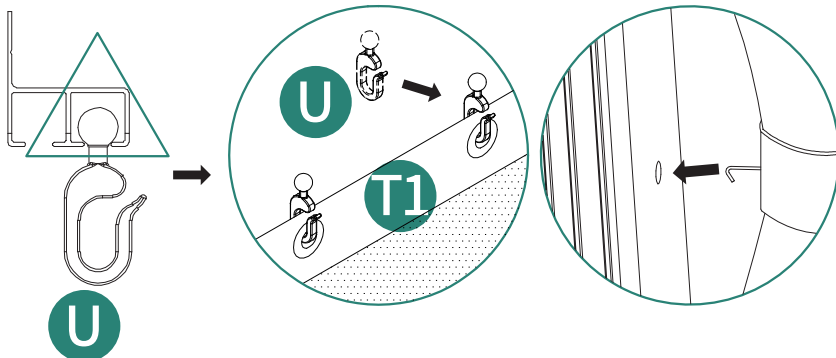
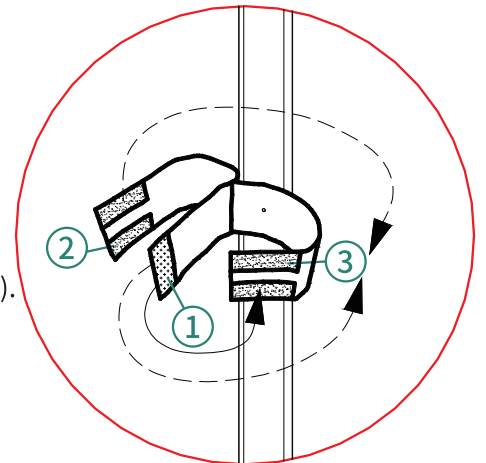
T1 4+2 pcs



# 33



Note:  
 Attach 1 to 2 to secure parts T1 and T  
 (curtains) together.  
 Attach 1 to 3 to secure the back curtain (T).  
 Attach 1 to 3 to secure the front curtain (T1).



Pay attention to the sidewall netting's installation position.

Hang the hook attached to the netting on Part A&A1.

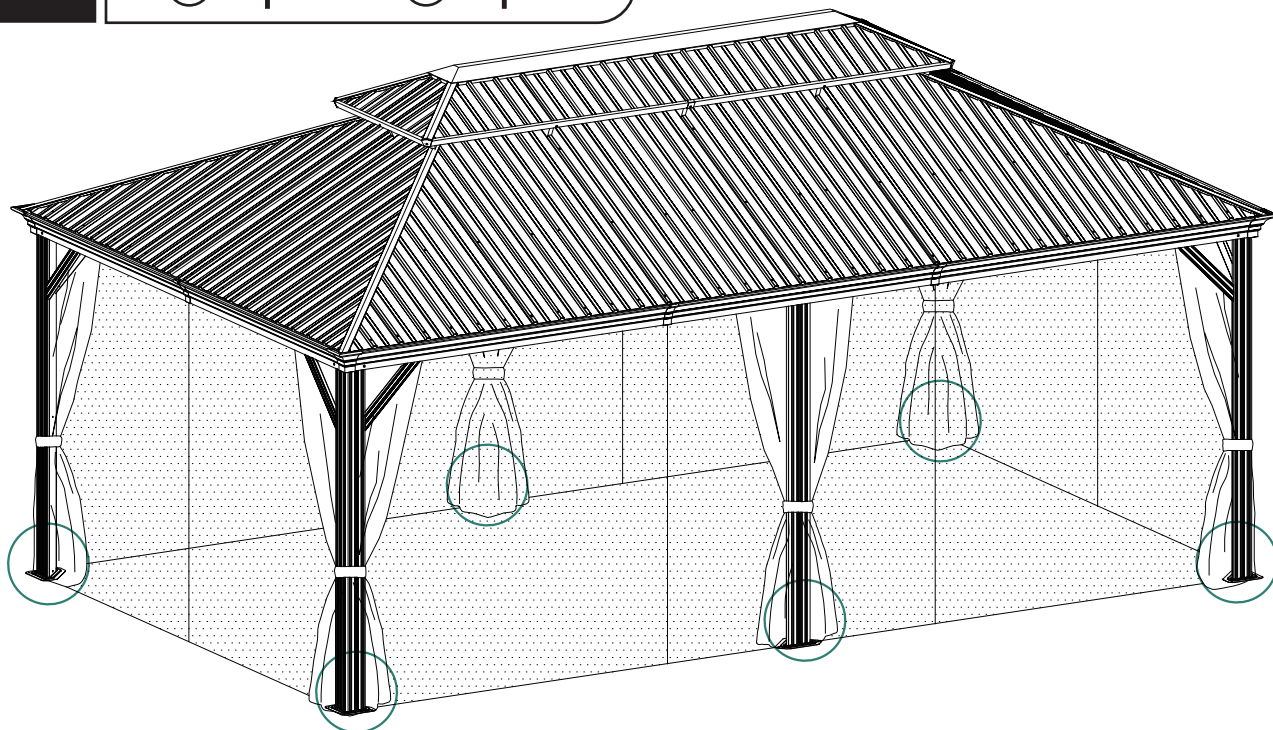
# 34



⑩ 18 pcs

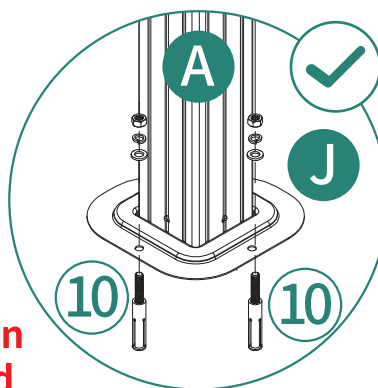


⑮ 18 pcs

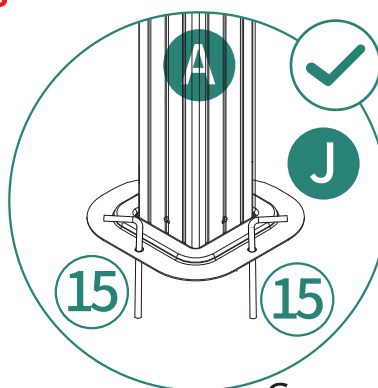
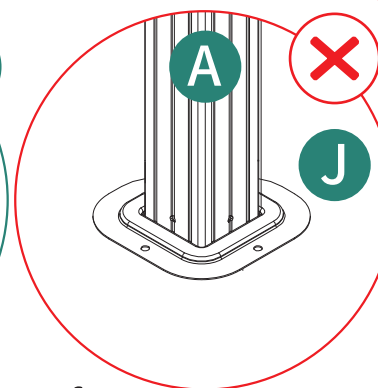


To improve wind resistance, **be sure to complete this installation step. If expansion screws or ground nails are not installed, strong winds may topple the gazebo.**

Expansion screws are essential for stability on cement surfaces, and ground nails are for grassy surfaces. All are included in the accessories package.



Cement surfaces



Grassy surfaces

