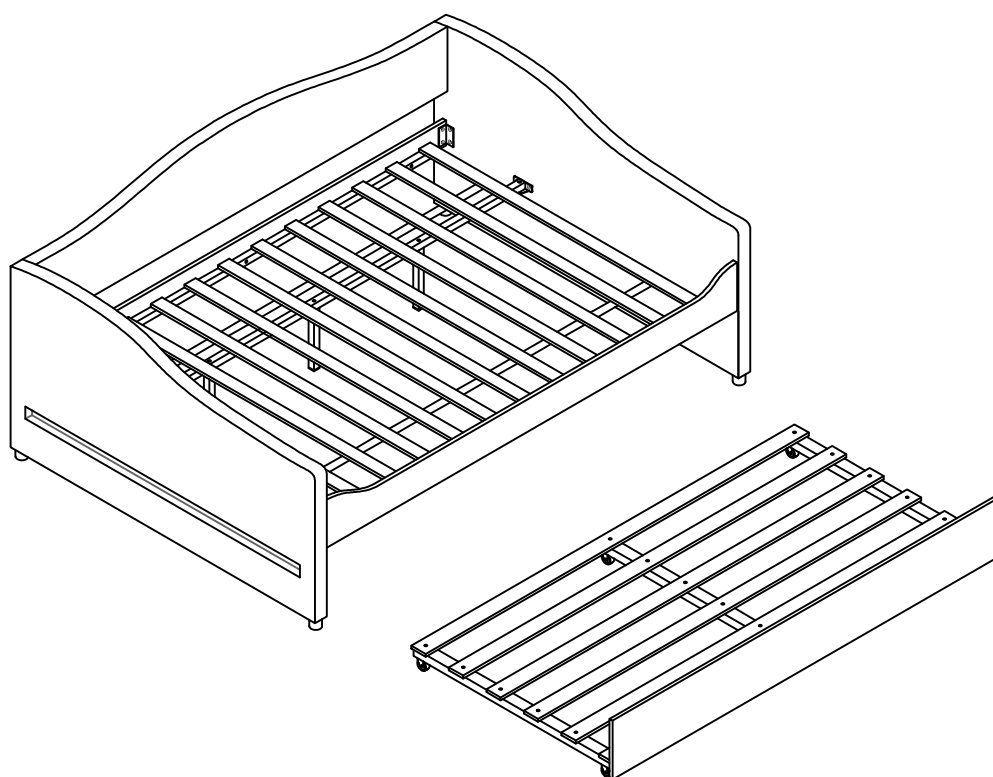
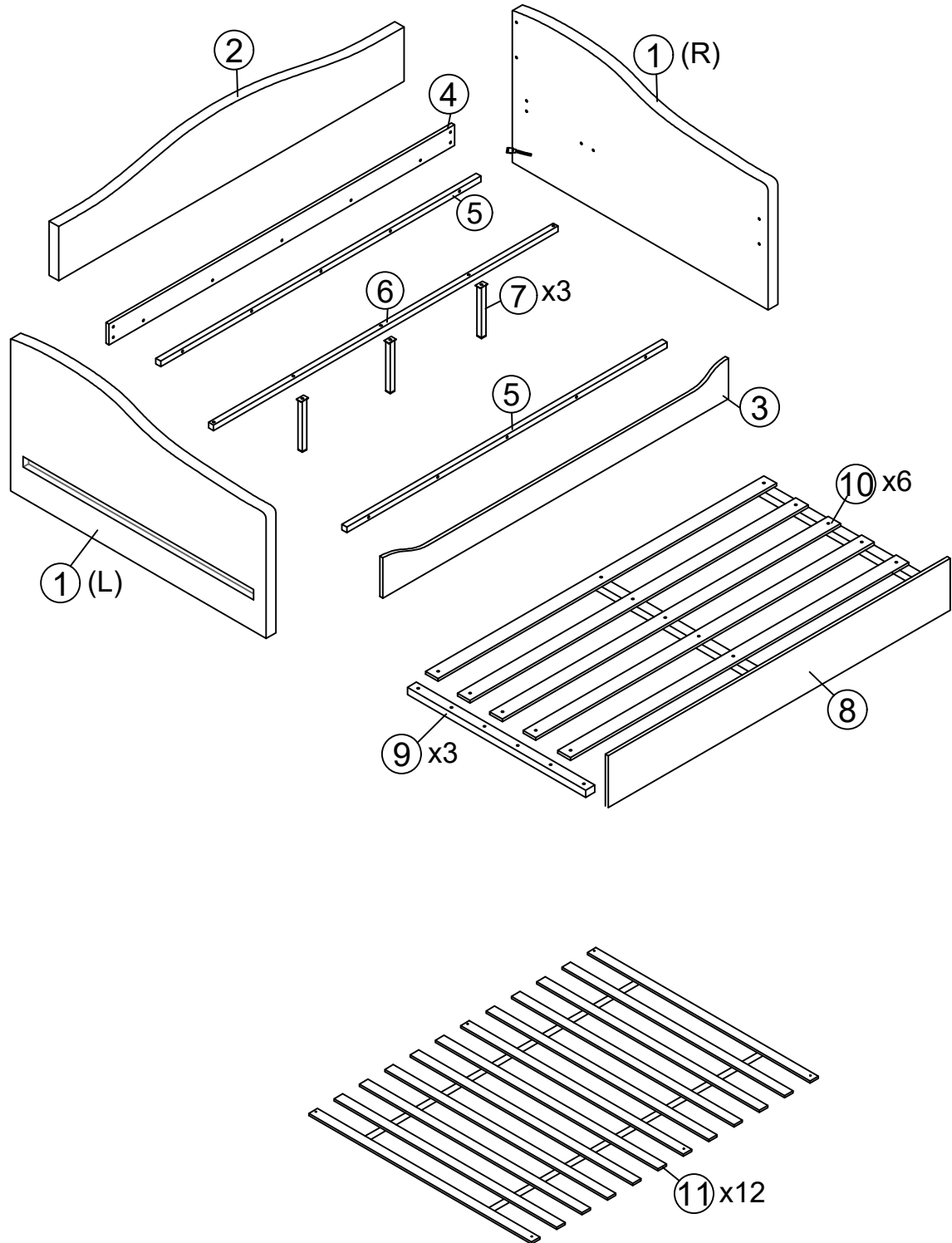


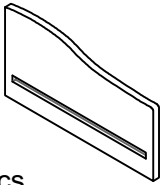
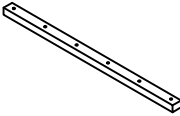
# ASSEMBLY INSTRUCTION



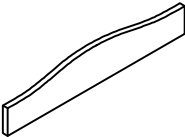
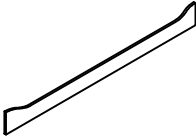
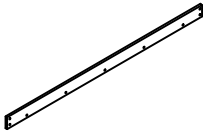
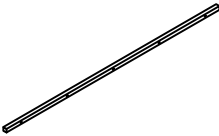
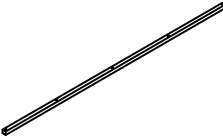

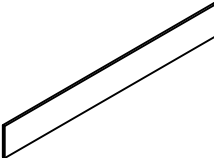
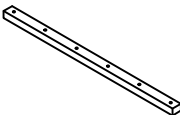
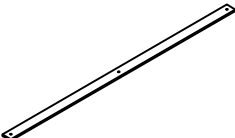
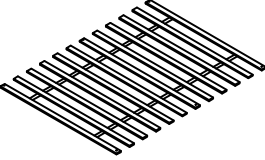
# Detail View






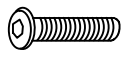


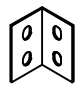

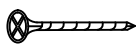
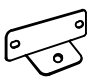



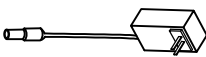
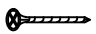

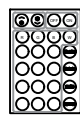
# Part List

<b>1</b>		<b>9</b>	
Armrest-2pcs		Bottom bar-1pc	

## Hardware List +Part list

<b>2</b>		<b>3</b>		<b>4</b>	
Backrest-1pc		Siderails-1pc		Siderails-1pc	
<b>5</b>		<b>6</b>		<b>7</b>	
Side rails support bar-2pcs		Center support bar-1pc		Middle support leg-3pcs	
<b>8</b>		<b>9</b>		<b>10</b>	
Bottom bed board-1pc		Bottom bar-2pcs		Slats -6pcs	
<b>11</b>					
Slats -12pcs					

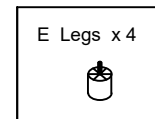
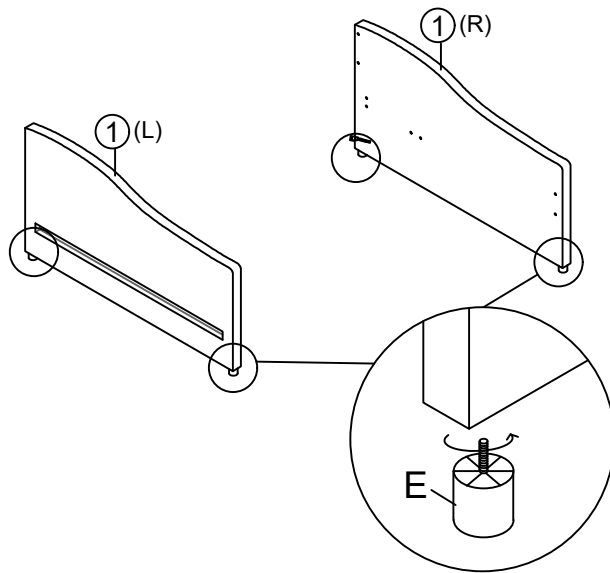
# Hardware List

<p><b>A</b></p>  <p>Allen Key(1pc)</p>	<p><b>B</b></p>  <p>Ø8*40mm</p> <p>Bolts(37pcs)</p>	<p><b>C</b></p>  <p>Ø22</p> <p>Washer(4pcs)</p>
<p><b>D</b></p>  <p>Ø8*18mm</p> <p>Bolts(26pcs)</p>	<p><b>E</b></p>  <p>H:40mm</p> <p>Legs(4pcs)</p>	<p><b>F</b></p>  <p>150*40mm</p> <p>Hinge(2pcs)</p>
<p><b>G</b></p>  <p>77*33**33*3mm</p> <p>"7" Connector(2pcs)</p>	<p><b>H</b></p>  <p>85*40**35*2mm</p> <p>"7" Connector(3pcs)</p>	<p><b>I</b></p>  <p>Ø4*30mm</p> <p>Nails(30pcs)</p>
<p><b>J</b></p>  <p>86*32*28*2mm</p> <p>Center support bar fittings(2pcs)</p>	<p><b>K</b></p>  <p>Wheel(6pcs)</p>	<p><b>L</b></p>  <p>Connecting line(1pc)</p>
<p><b>M</b></p>  <p>Color controller(1pc)</p>	<p><b>N</b></p>  <p>Power adapter(1pc)</p>	<p><b>O</b></p>  <p>Ø3*16mm</p> <p>Nails(8pcs)</p>
<p><b>P</b></p>  <p>20*6mm</p> <p>Buckle(4pcs)</p>	<p><b>Q</b></p>  <p>Emote control(1pc)</p>	

Attention: Do not tighten the screws before completing the entire installation. If you have any difficulty with the installation process, please feel free to contact us.

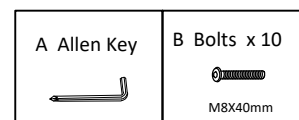
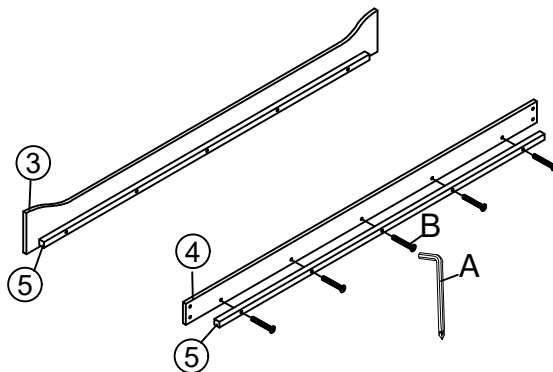
## Step 1

Fix the legs E to the Armrest ①.



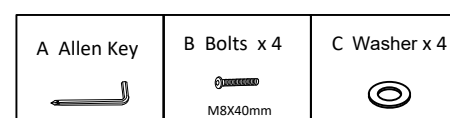
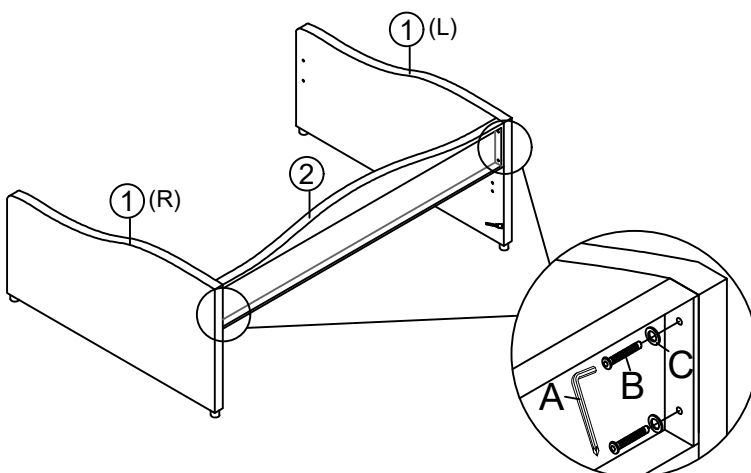
## Step 2

Connect Siderails support bar ⑤ to siderails ③ and ④ with Bolts B by using Allen key A.



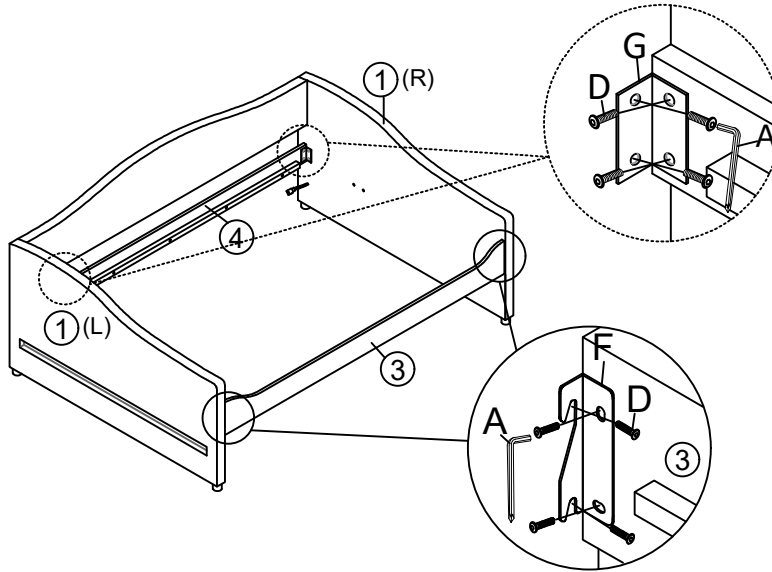
## Step 3





Fix the Backrest ② to the Armrest ① with Bolts B and Washer C by using Allen key A.



## Step 4

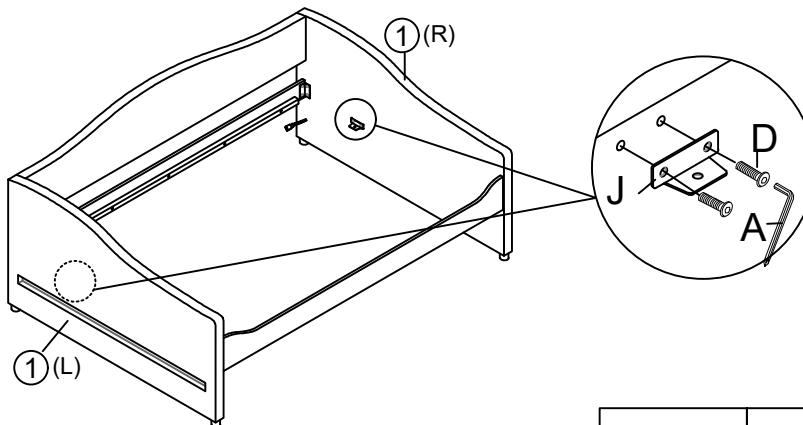
Fix the Siderails ③ and ④ with Hinge F, "7" connector G and Bolts D by using Allen key A.






A Allen Key 	D Bolts x 16 M8X18mm 	F Hinge x 2 	G "7" Connector x 2 
--	--	--	--

## Step 5

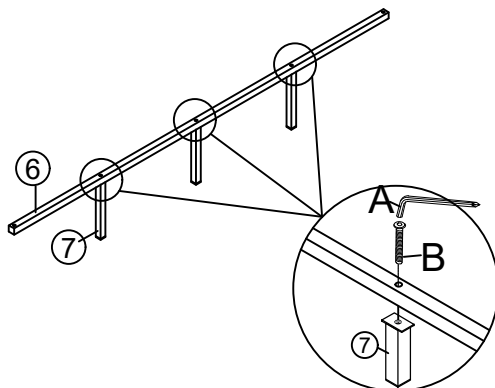
Fix the Center support bar fittings J to the Armrest ① with Bolts D by using Allen key A.





A Allen Key 	D Bolts x 4 M8X18mm 	J Center support bar fittings x2 
--	---	---

## Step 6

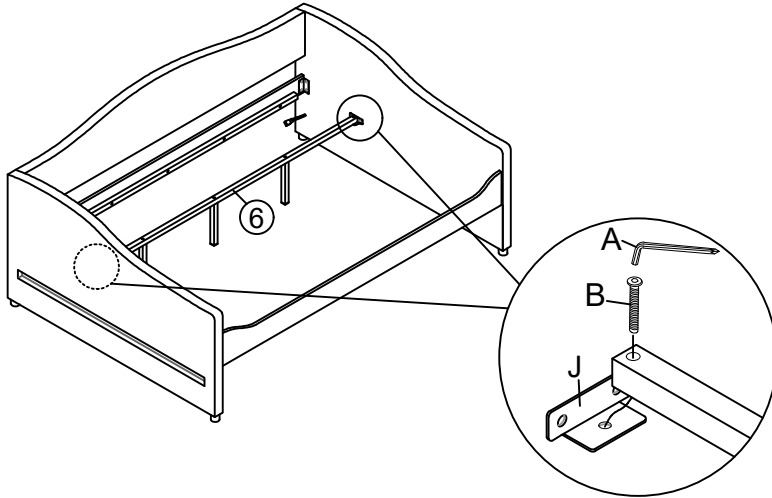
Fix the middle support leg ⑦ to the center support bar ⑥ with Bolts B by using Allen key A.





A Allen Key 	B Bolts x 3 M8X40mm 
--	---

## Step 7

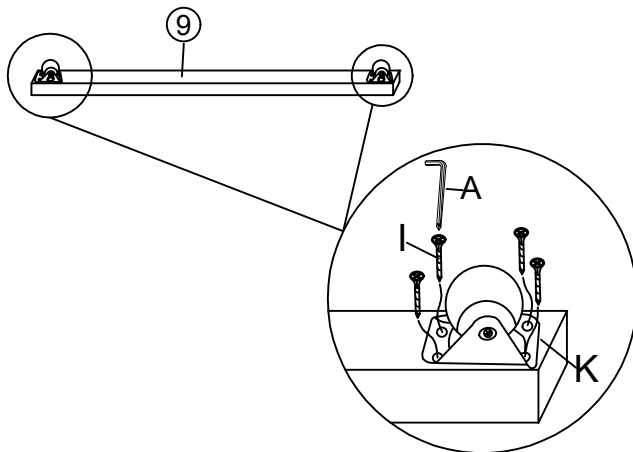
Fix the Center support bar ⑥ to the Center support bar fittings J with Bolts B by using Allen key A.






A Allen Key 	B Bolts x 2  M8X40mm
--	---

## Step 8 x3

Fix the Wheel K to the Bottom bar ⑨ with Nails I by using Allen key A or Electric drill.

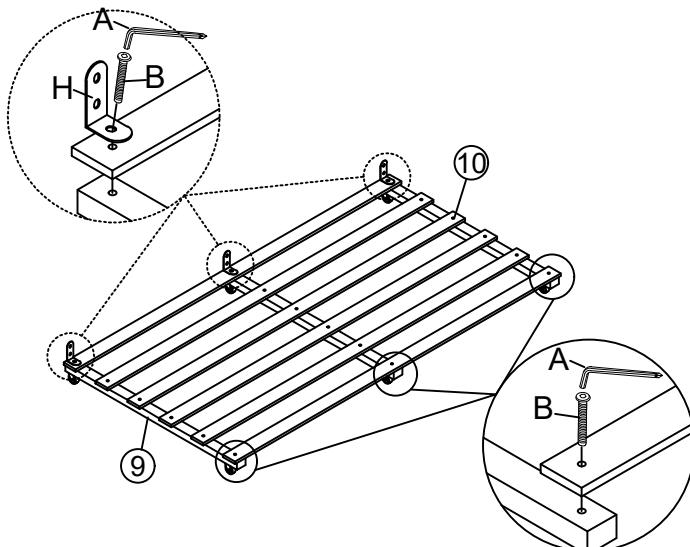





A Allen Key 	I Nails x 24  M4X30mm	K Wheel x 6 
--	--	--

## Step 9

Fix the Three hole "7" connector H to one of the slat ⑩ and end Bottom bar ⑨ with Bolts B by using Allen key A .

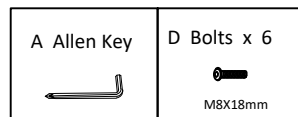
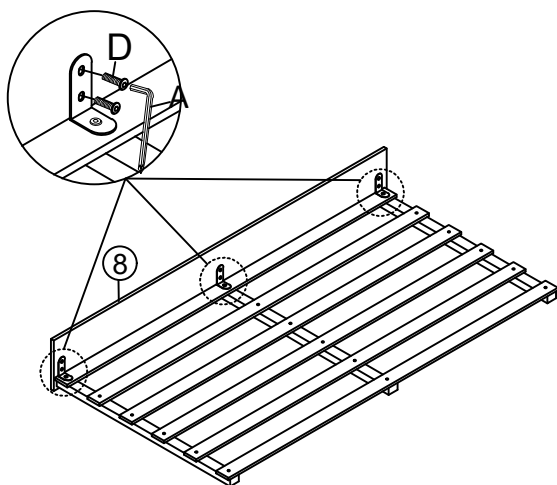
Fix another 5pcs slats ⑩ to the Bottom bar ⑨ with Bolts B by using Allen key A .



A Allen Key 	B Bolts x 18  M8X40mm	H x 3 
--	--	--

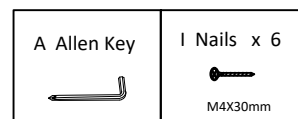
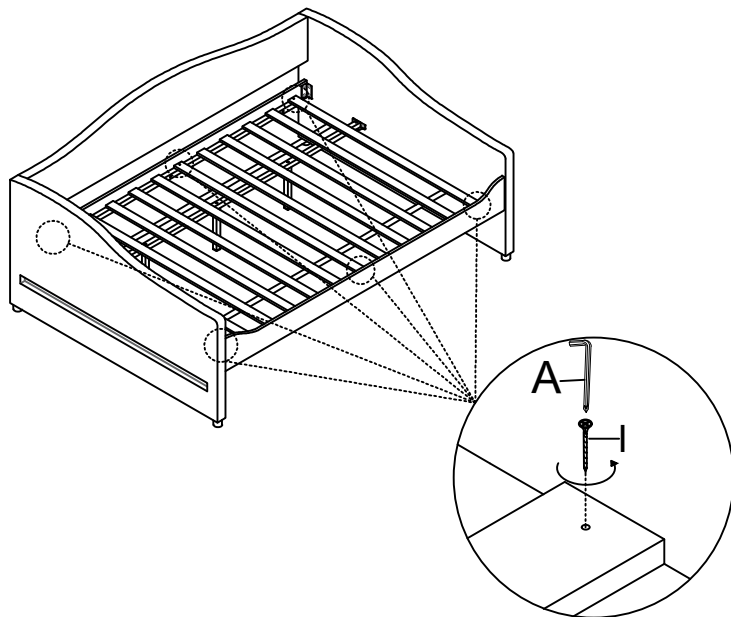
## Step 10

Fix Bottom bed board ⑧ to the assembled slats frame with Bolts D by using Allen key A .



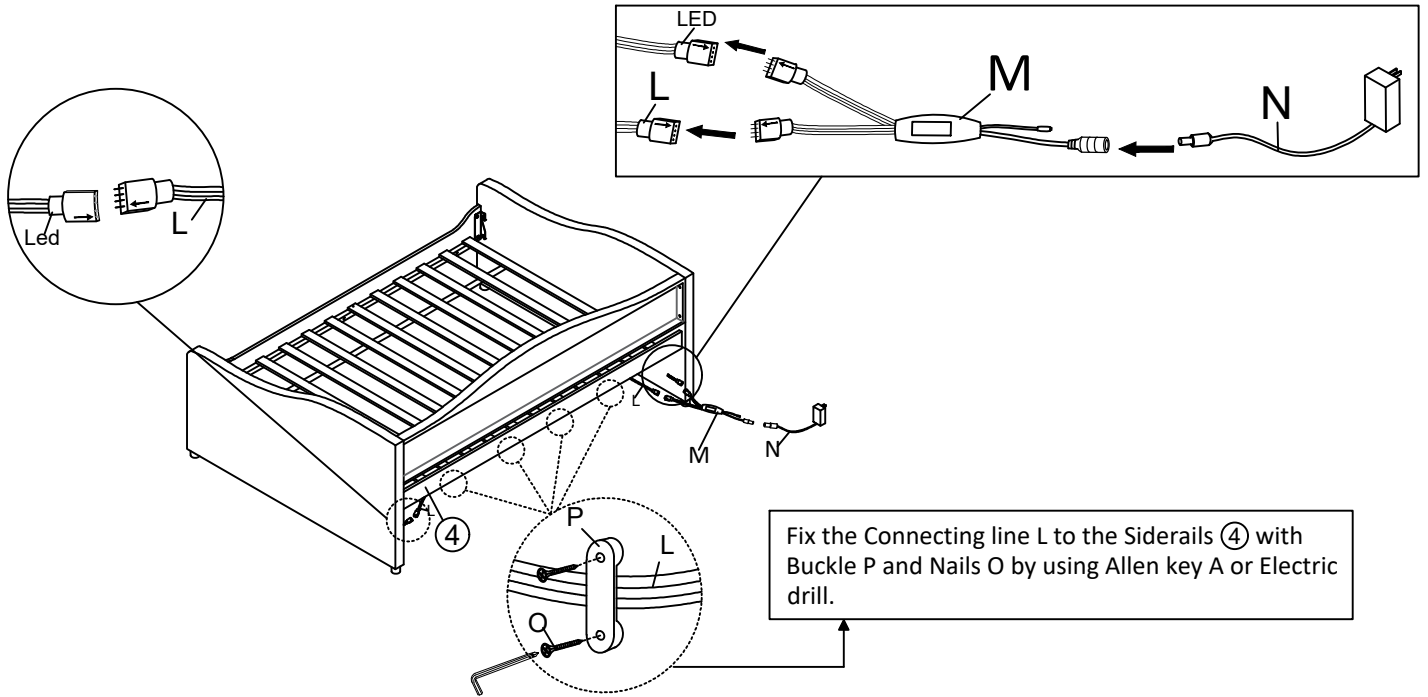
## Step 11

Fix the slats ① to the side support bar ⑤ with Nails I by using Allen key A or Electric drill.



## Step 12

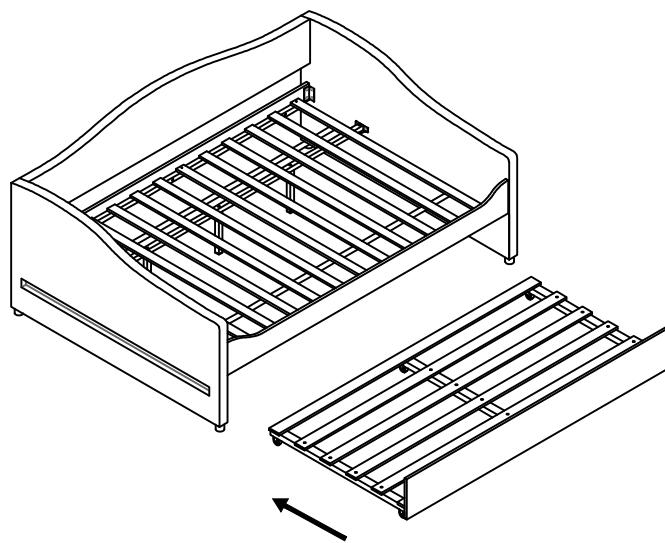
- Fix one side of the Connecting line L to the LED line in the left armrest ,please notice that → ← .
- Fix another side of the Connecting line L to the color controller M,please notice that → ← .
- Fix another plug of the Color controller M to the Led line in the right armrest,please notice that → ← .
- Fix the Color controller M to the Power adapter N,then connect the power.

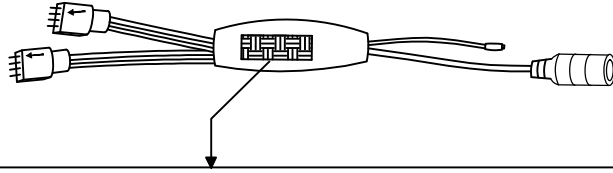


A Allen Key	L Connecting line x1	M Color controller x1	N Power adapter x1	O Nails x 8 M3X16mm	P Buckle x 4

## Step 13

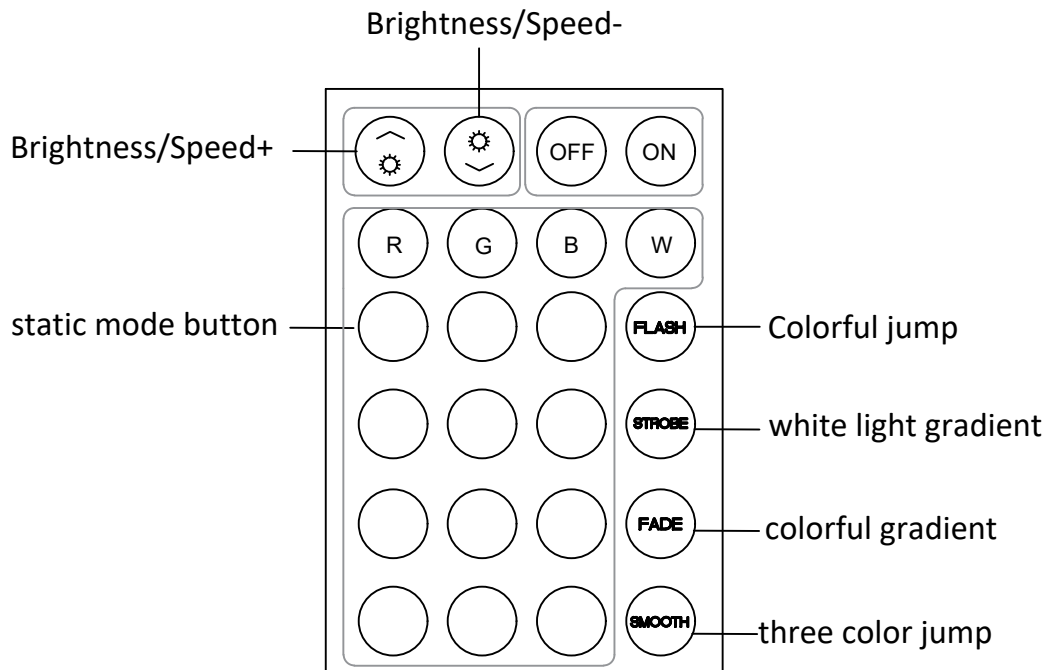
Push the bottom bed into the bed ,then assembled is finished,now please tighten all hardware and enjoy the bed.





**NOTICE:**

You can download an app that can control the color of the light strip like a remote control. When your phone plays music through the app, the color of the light strip will also change according to the strength of the music



**NOTICE:**

When you use the remote control board to control the color of the light, Please remove the clear plastic card first, then please be sure to point the remote control at the color controller M