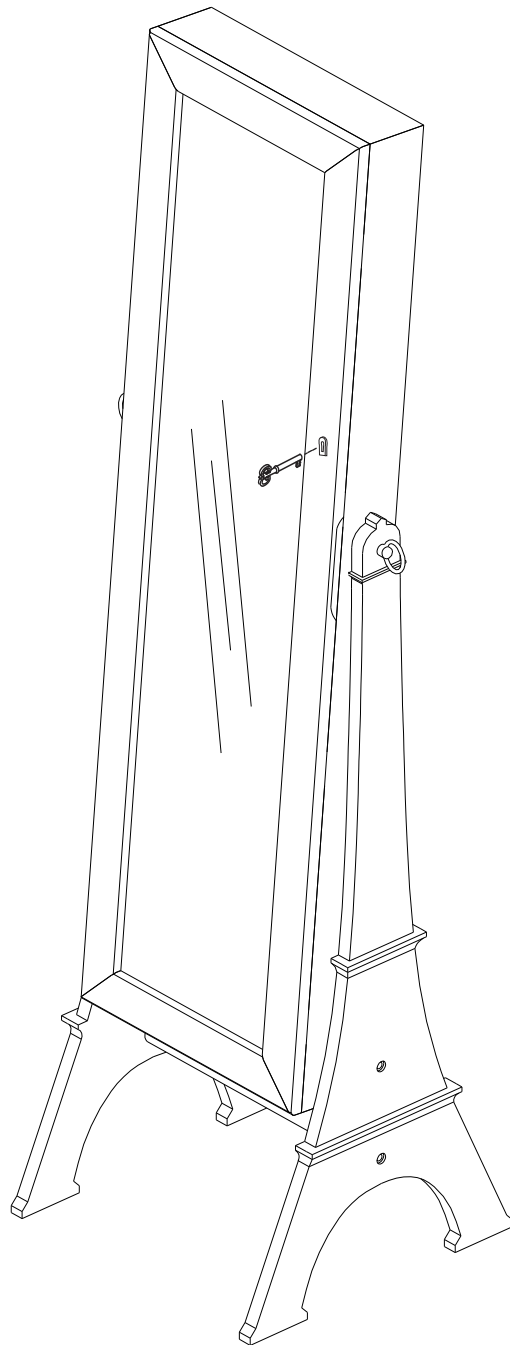


# Instruction Manual

## Freestanding Jewelry Armoire



Thank you for your order.  
We hope you enjoy your purchase.


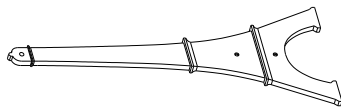
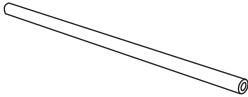
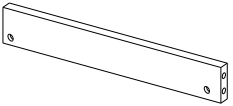


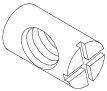
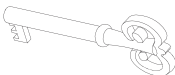

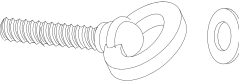
# PRE-ASSEMBLY PREPARATION:



THIS PACKAGE MAY CONTAIN SMALL ITEMS WHICH SHOULD BE KEPT AWAY FROM CHILDREN

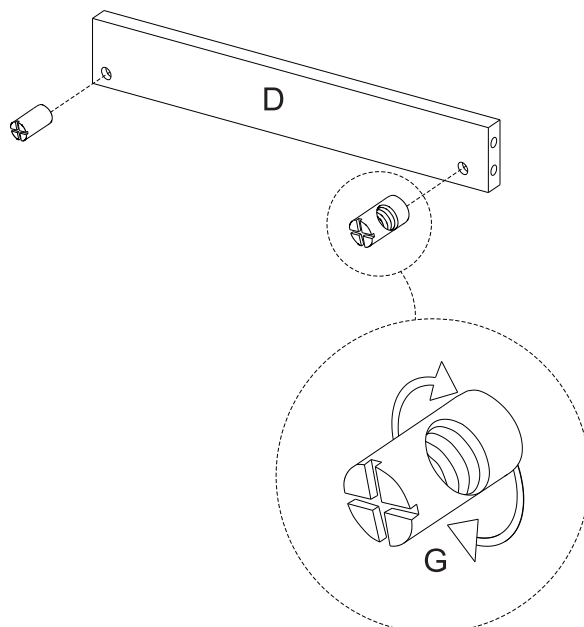
- Please check that all parts and hardware are included before beginning assembly.
- Save all packing materials until assembly is complete to avoid accidentally discarding smaller parts or hardware.
- Read through the preparation and assembly instructions in full before beginning assembly.
- Please use CAUTION AND CARE WHEN LIFTING the product to avoid personal injury and (or) damage to the product.
- For ease of assembly, two adults are recommended.

## LIST:

 <p>A: 1pc</p>	 <p>B: 2pcs</p>	 <p>C: 1pc</p>	 <p>D: 1pc</p>
 <p>E: 4pcs</p>	 <p>F: 1pc</p>	 <p>G: 2pcs</p>	 <p>H: 1pc</p>
 <p>I: 4pcs</p>	 <p>J: 2sets</p>		

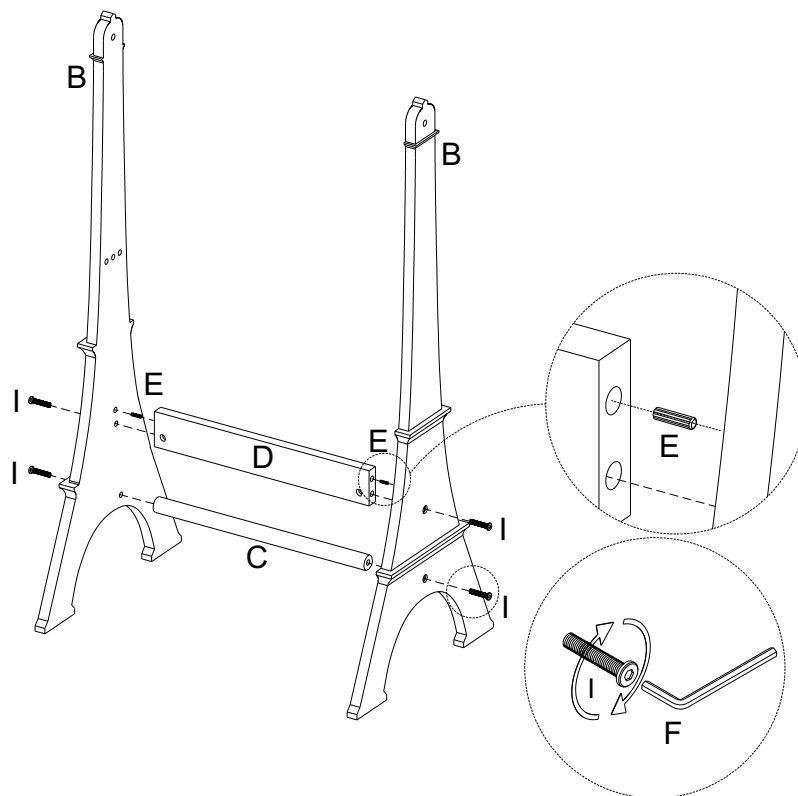
## STEP-BY-STEP ASSEMBLY:


STEP 1:




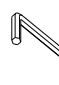
G:  -2 pcs

**STEP 2:**

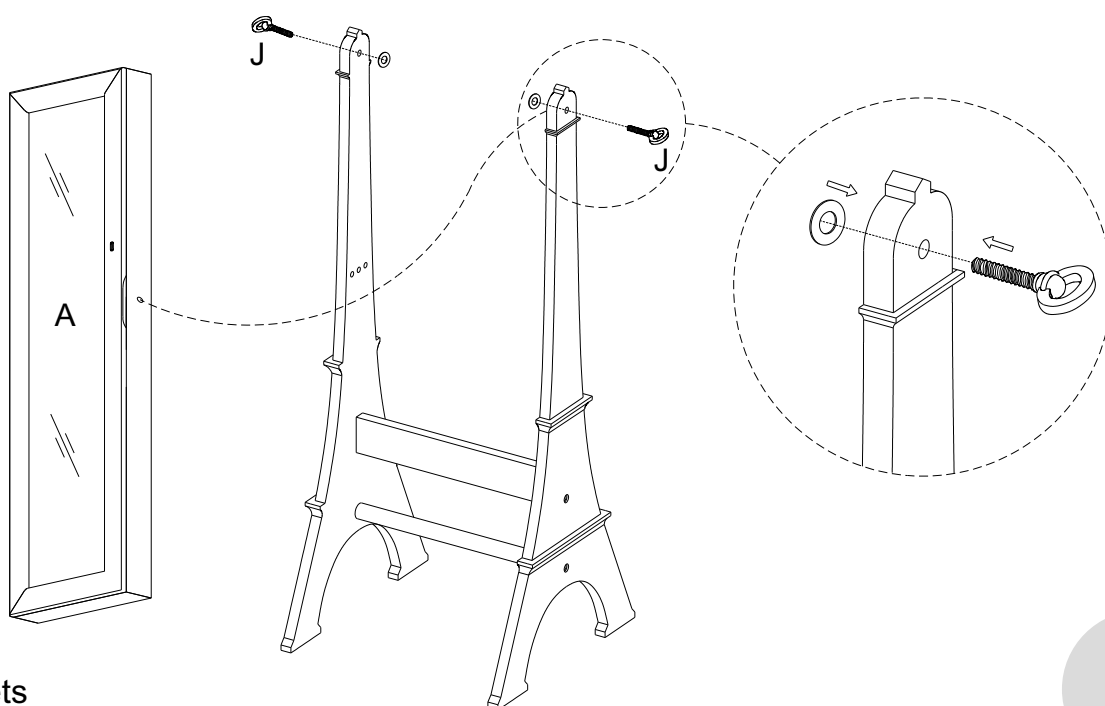
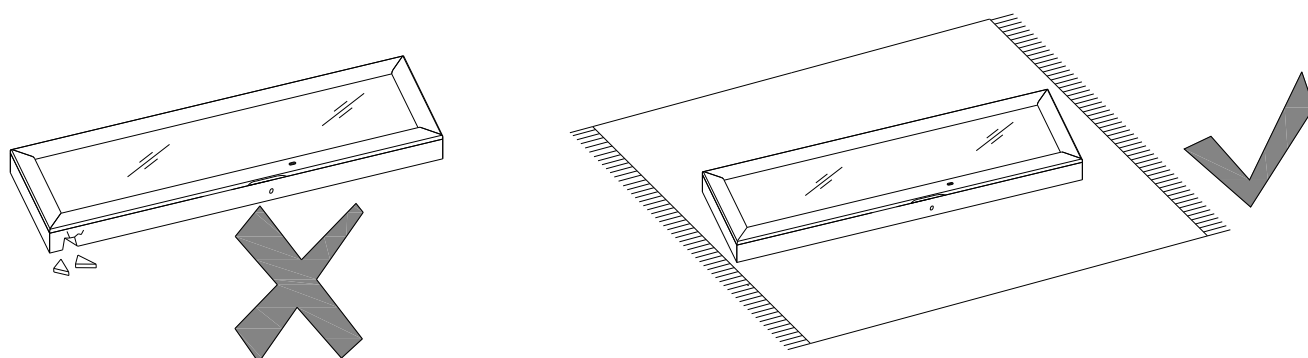



I :  - 4 pcs

E :  - 2 pcs

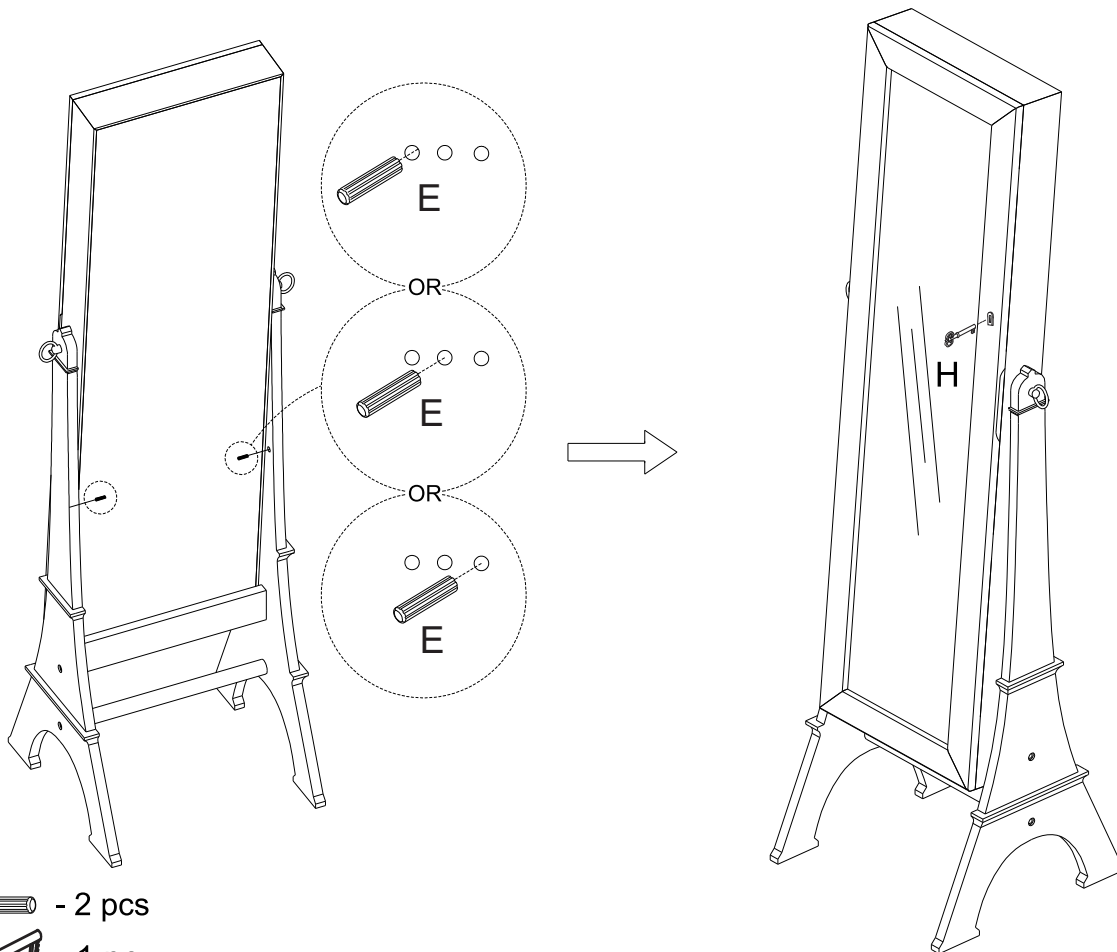
F :  - 2 pcs


**STEP 3:**



J :  - 2 sets

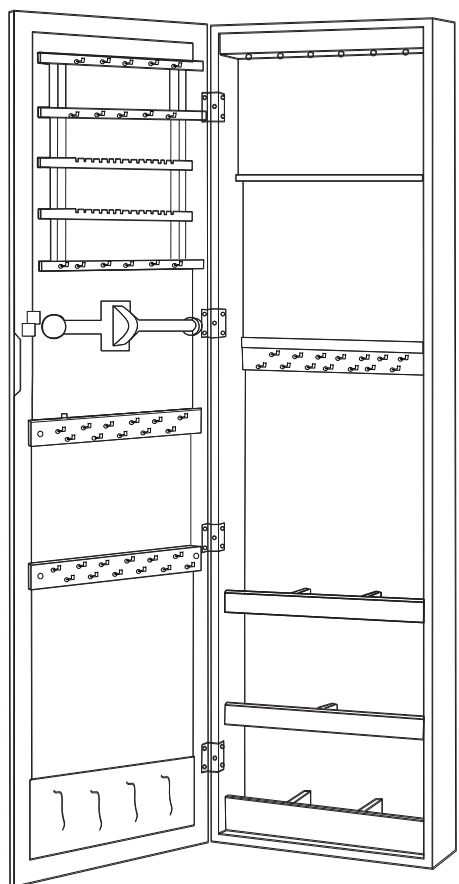
**STEP 4:**



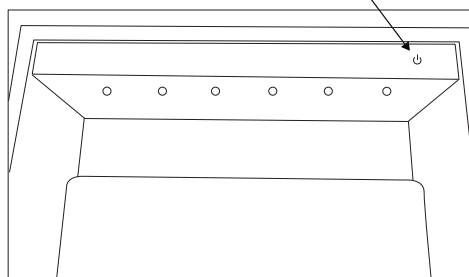
E :  - 2 pcs

H :  - 1 pc

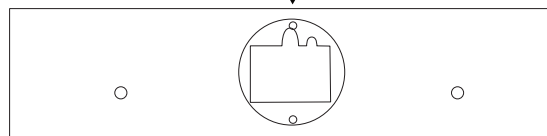
**STEP 5:**



Pressure switch



3AAA Batteries



Open battery box lid, put 3AAA batteries and cover the lid.